



US00D920425S

(12) **United States Design Patent** (10) **Patent No.:** **US D920,425 S**
Furusho et al. (45) **Date of Patent:** **** May 25, 2021**

(54) **WIND INSTRUMENT WITH KEYBOARD**
 (71) Applicant: **SUZUKI MUSICAL INSTRUMENT MFG. CO., LTD.**, Shizuoka (JP)
 (72) Inventors: **Takashi Furusho**, Shizuoka (JP); **Toshio Watanabe**, Aichi (JP)
 (73) Assignee: **SUZUKI MUSICAL INSTRUMENT MFG. CO., LTD.**, Shizuoka (JP)

D296,338 S * 6/1988 Sgroi D17/1
 D325,924 S * 5/1992 Yu D17/1
 D355,923 S * 2/1995 Slater D17/1
 5,463,925 A * 11/1995 Galocy G10C 3/12
 84/423 R
 D400,912 S * 11/1998 Miyahara D17/5
 D404,057 S * 1/1999 Miura D17/1
 D598,484 S * 8/2009 Katsumata D17/1
 D620,042 S * 7/2010 Lambert D17/99
 D620,043 S * 7/2010 Lambert D17/99
 D761,348 S * 7/2016 Kashiwase D17/1

(**) Term: **15 Years**
 (21) Appl. No.: **29/717,134**
 (22) Filed: **Dec. 16, 2019**

(30) **Foreign Application Priority Data**
 Jun. 28, 2019 (JP) JP2019-014612
 (51) **LOC (13) Cl.** **17-02**
 (52) **U.S. Cl.**
 USPC **D17/10; D17/1**
 (58) **Field of Classification Search**
 USPC D17/1, 2, 7, 99; D21/405, 409, 411;
 D14/203.1
 CPC G10C 1/00; G10C 3/00; G10C 3/12
 See application file for complete search history.

(56) **References Cited**
 U.S. PATENT DOCUMENTS
 3,145,608 A * 8/1964 Lindermeier G10D 7/14
 84/375
 D254,496 S * 3/1980 Hill D17/1

FOREIGN PATENT DOCUMENTS

JP 01271797 A * 10/1989
 JP 09016163 A * 1/1997
 KR 20050001436 A * 1/2005

* cited by examiner

Primary Examiner — R. Johnson
 (74) *Attorney, Agent, or Firm* — JCIPRNET

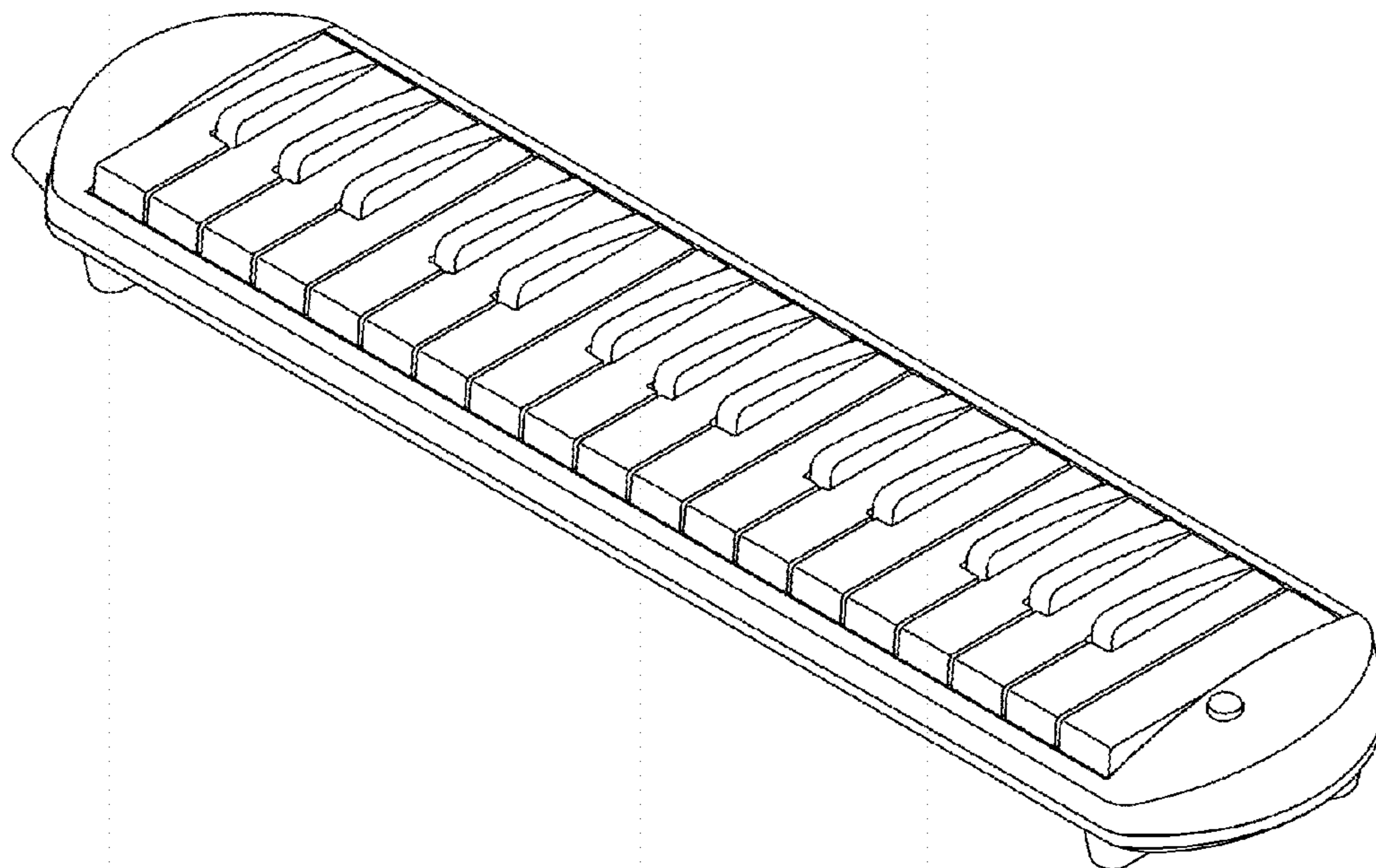
(57) **CLAIM**

The ornamental design for a wind instrument with keyboard, as shown.

DESCRIPTION

FIG. 1 is a perspective view of a wind instrument with keyboard showing our new design;
 FIG. 2 is a front view thereof;
 FIG. 3 is a rear view thereof;
 FIG. 4 is a left side view thereof;
 FIG. 5 is a right side view thereof;
 FIG. 6 is a top view thereof; and,
 FIG. 7 is a bottom view thereof.

1 Claim, 2 Drawing Sheets



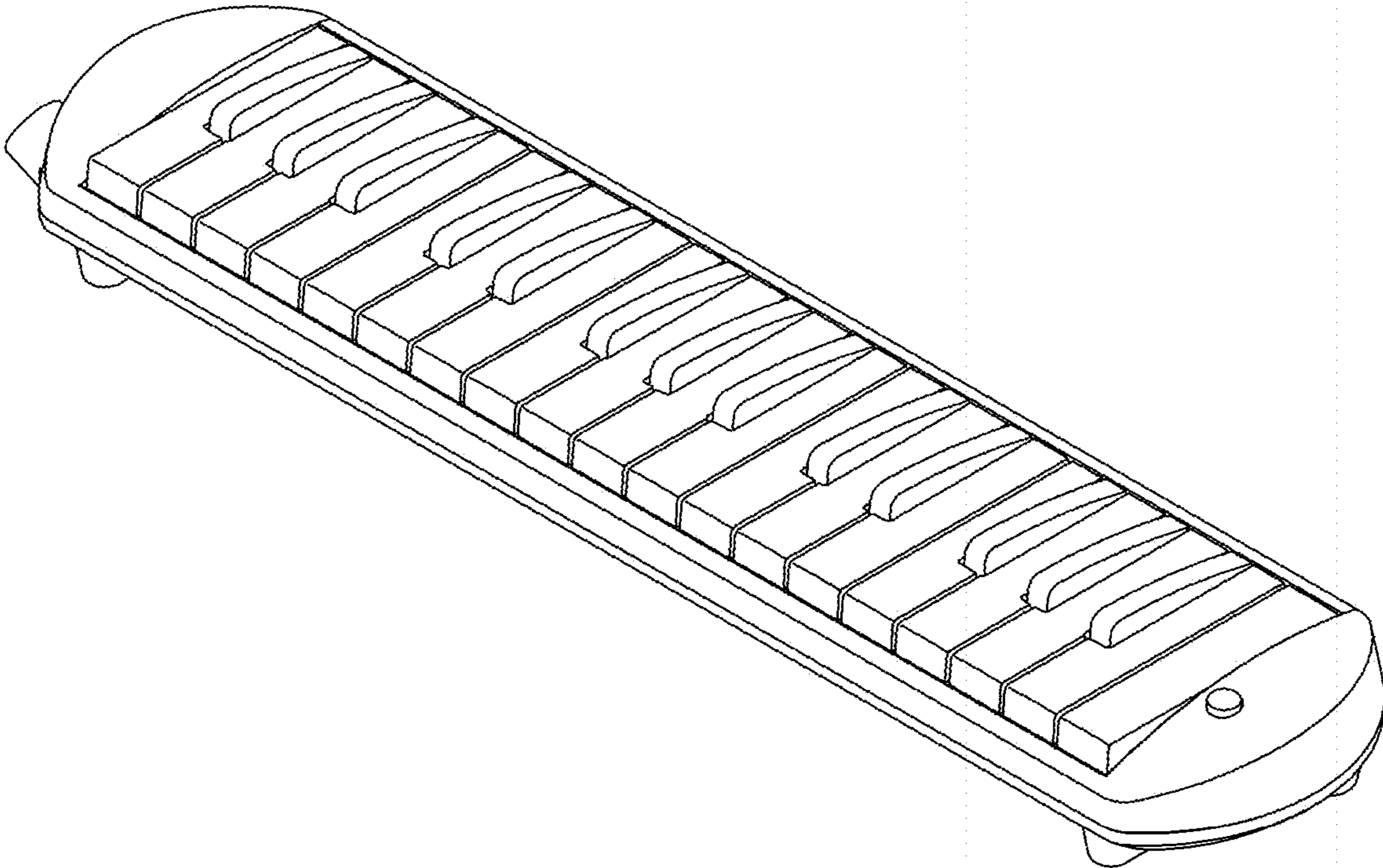


FIG. 1

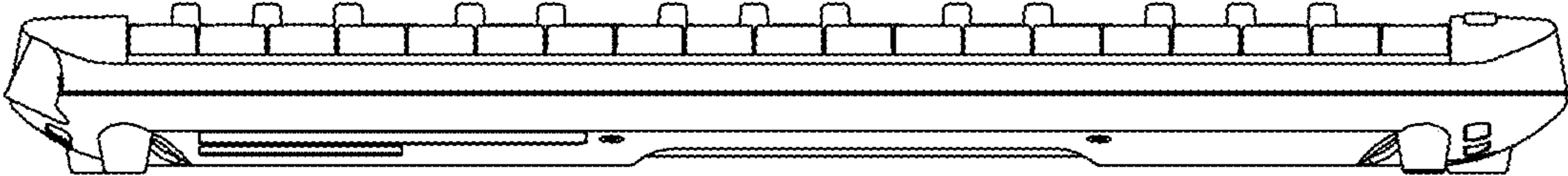


FIG. 2

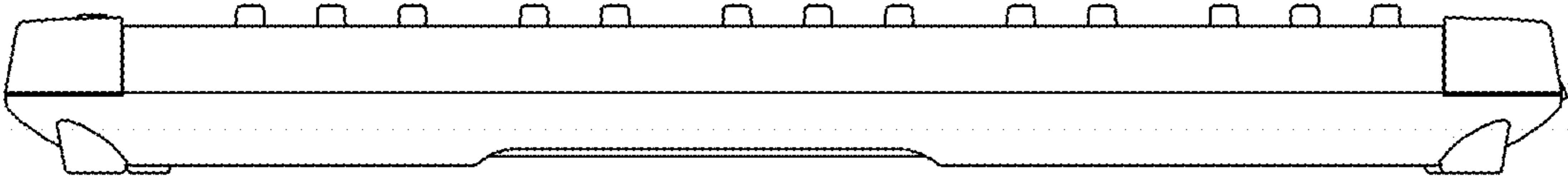


FIG. 3

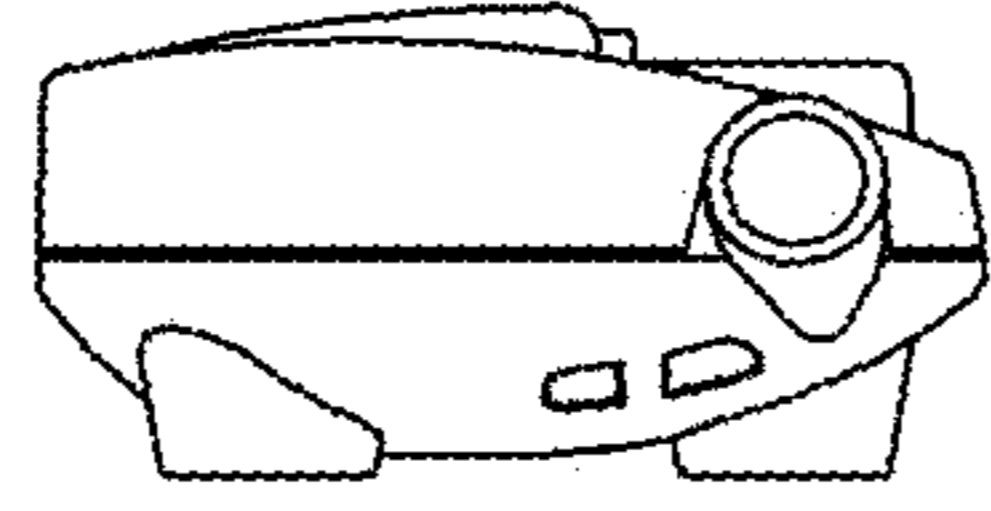


FIG. 4

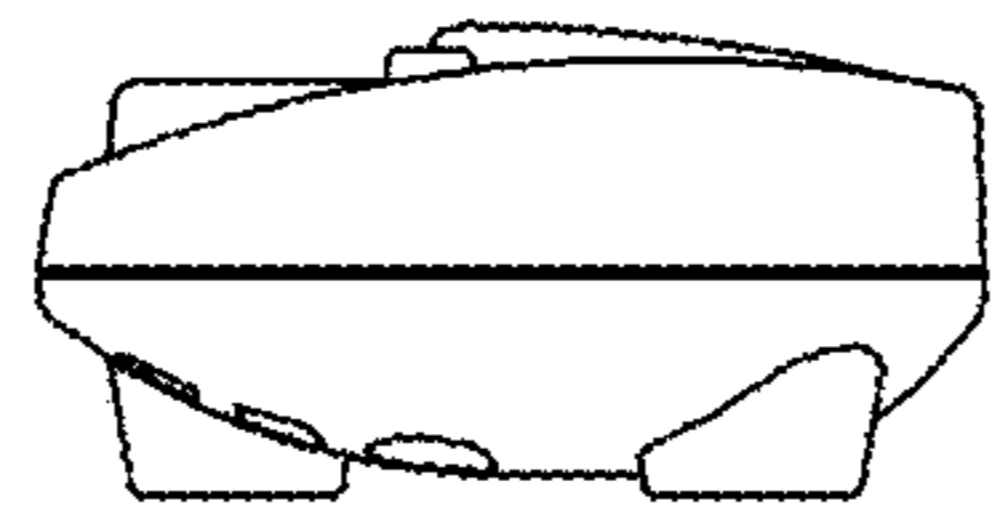


FIG. 5

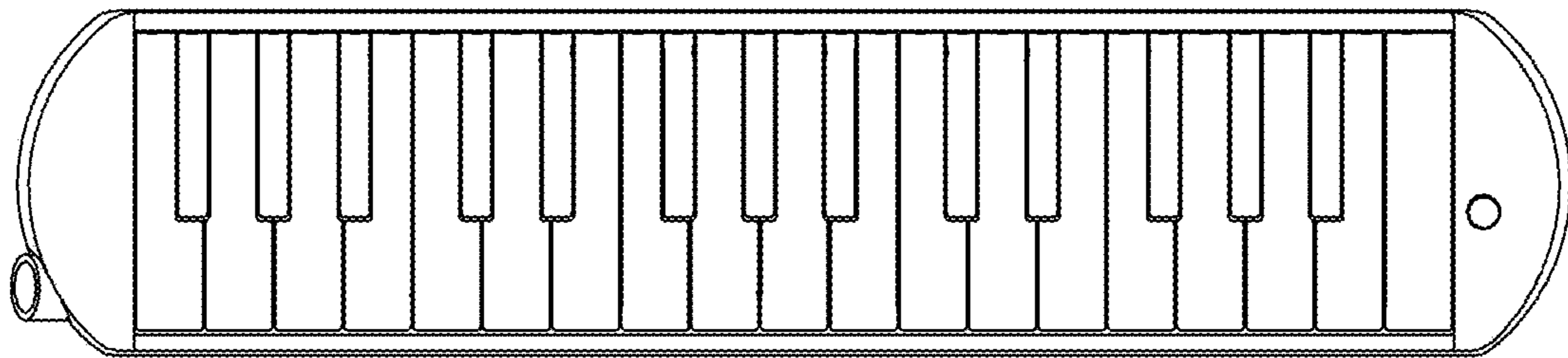


FIG. 6

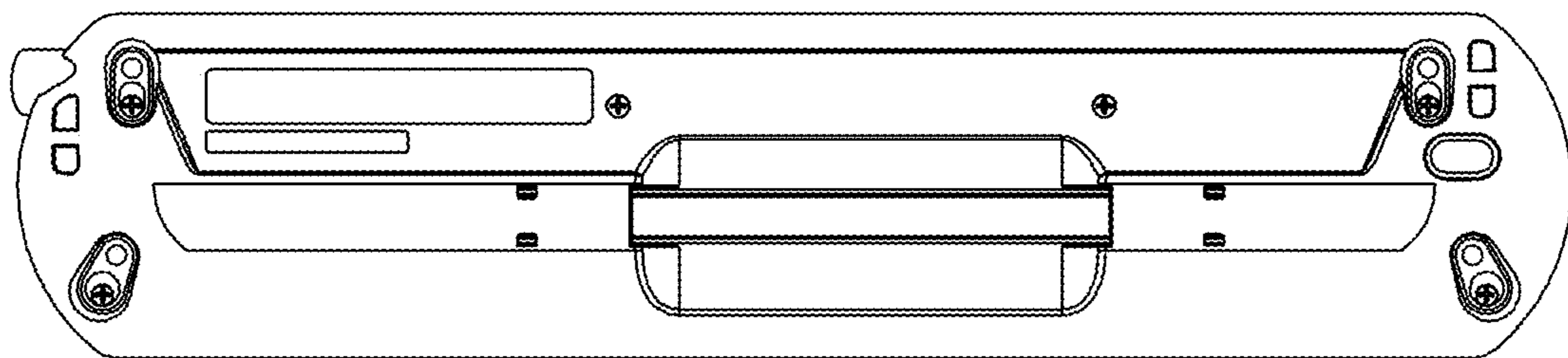


FIG. 7