



US00D920422S

(12) **United States Design Patent**
Lin

(10) **Patent No.:** **US D920,422 S**

(45) **Date of Patent:** **** May 25, 2021**

(54) **3 WAY TRIPOD HEAD**

(71) Applicant: **Chien-Ting Lin**, Santa Fe Springs, CA
(US)

(72) Inventor: **Chien-Ting Lin**, Santa Fe Springs, CA
(US)

(**) Term: **15 Years**

(21) Appl. No.: **29/694,232**

(22) Filed: **Jun. 7, 2019**

(51) **LOC (13) Cl.** **16-05**

(52) **U.S. Cl.**
USPC **D16/245**

(58) **Field of Classification Search**
USPC D16/219, 237-250; D2/976; D8/354,
D8/355, 363, 373, 382-383, 394-396;
D14/224, 229, 238, 251, 253, 447, 451,
D14/457
CPC A45F 5/00; A45F 5/10; A45F
2200/0508-0533; F16M 11/06-10; F16M
11/14; G02B 7/00-002; G03B 17/56;
G03B 17/561-566; H04N 5/2253-2254
See application file for complete search history.

(56) **References Cited**

U.S. PATENT DOCUMENTS

D299,245 S *	1/1989	Jones	D16/245
D366,887 S *	2/1996	Wood	D16/242
D382,288 S *	8/1997	Usui	D16/245
D537,859 S *	3/2007	Speggiorin	F16M 11/14 D16/245

D600,736 S *	9/2009	Zen	D16/242
D616,913 S *	6/2010	Lee	D16/245
8,628,258 B2 *	1/2014	Vogt	F16M 11/2021 396/428
D716,912 S *	11/2014	Lee	D23/233
9,360,743 B2 *	6/2016	Battaglia	F16M 11/12
D841,725 S *	2/2019	Frisancho Vera	D16/245
D850,520 S *	6/2019	Voss	D16/243
D892,910 S *	8/2020	Zhang	D16/242
D896,301 S *	9/2020	Lin	D16/242
2011/0006170 A1 *	1/2011	Liu	F16M 11/08 248/121
2017/0123297 A1 *	5/2017	Speggiorin	G03B 17/561

* cited by examiner

Primary Examiner — Vy N Koenig

(57) **CLAIM**

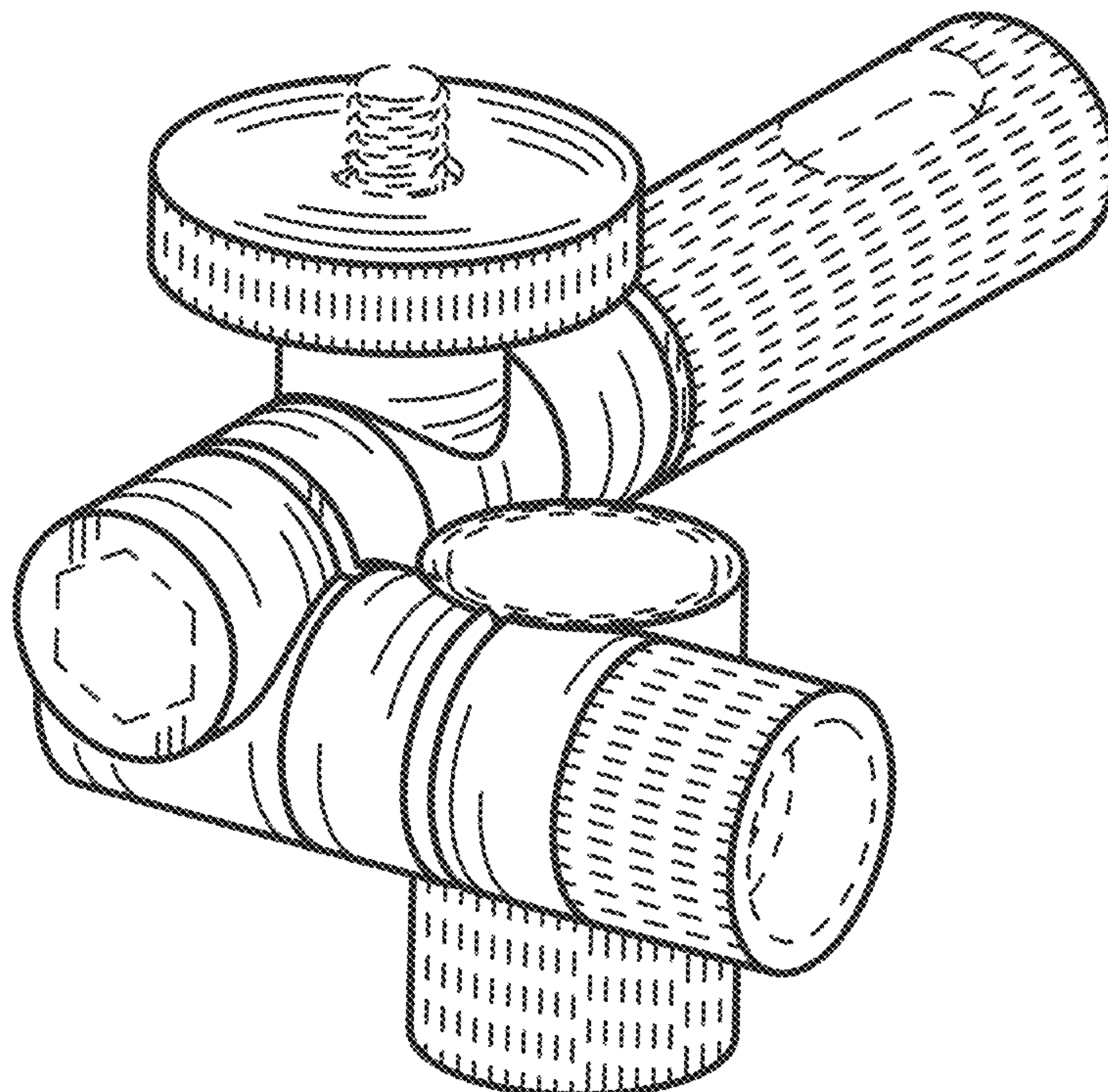
The ornamental design for a 3-way tripod head, as shown and described.

DESCRIPTION

FIG. 1 is a perspective view of a 3-way tripod head showing my new design;
FIG. 2 is a front elevational view thereof;
FIG. 3 is a rear elevational view thereof;
FIG. 4 is a left elevational view thereof;
FIG. 5 is a right elevational view thereof;
FIG. 6 is a top view thereof;
FIG. 7 is a bottom view thereof; and,
FIG. 8 is a perspective view of the 3-way tripod head viewed from another direction.

The broken lines in the drawings illustrate portions of the 3-way tripod head that form no part of the claimed design.

1 Claim, 8 Drawing Sheets



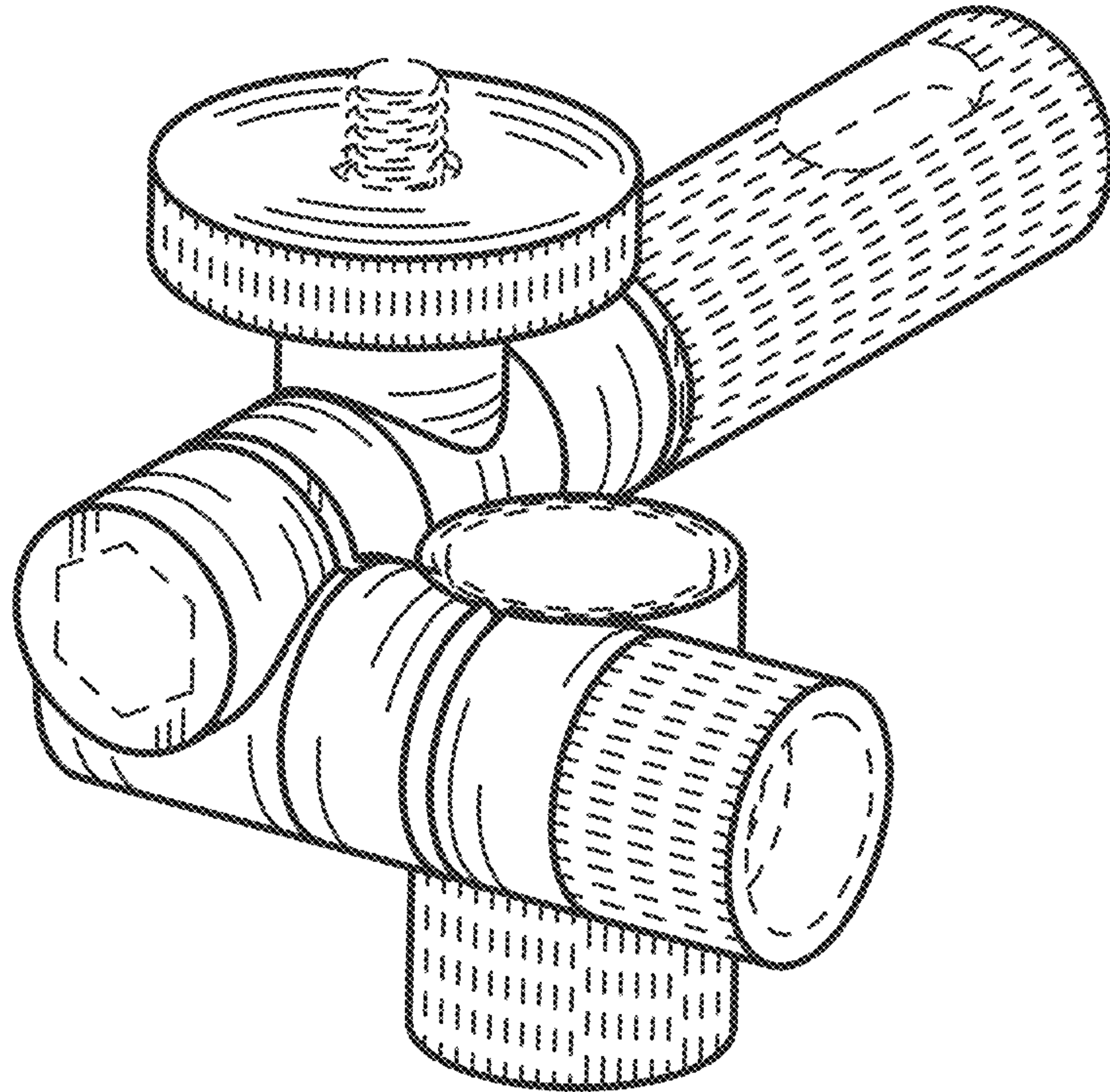


FIG 1

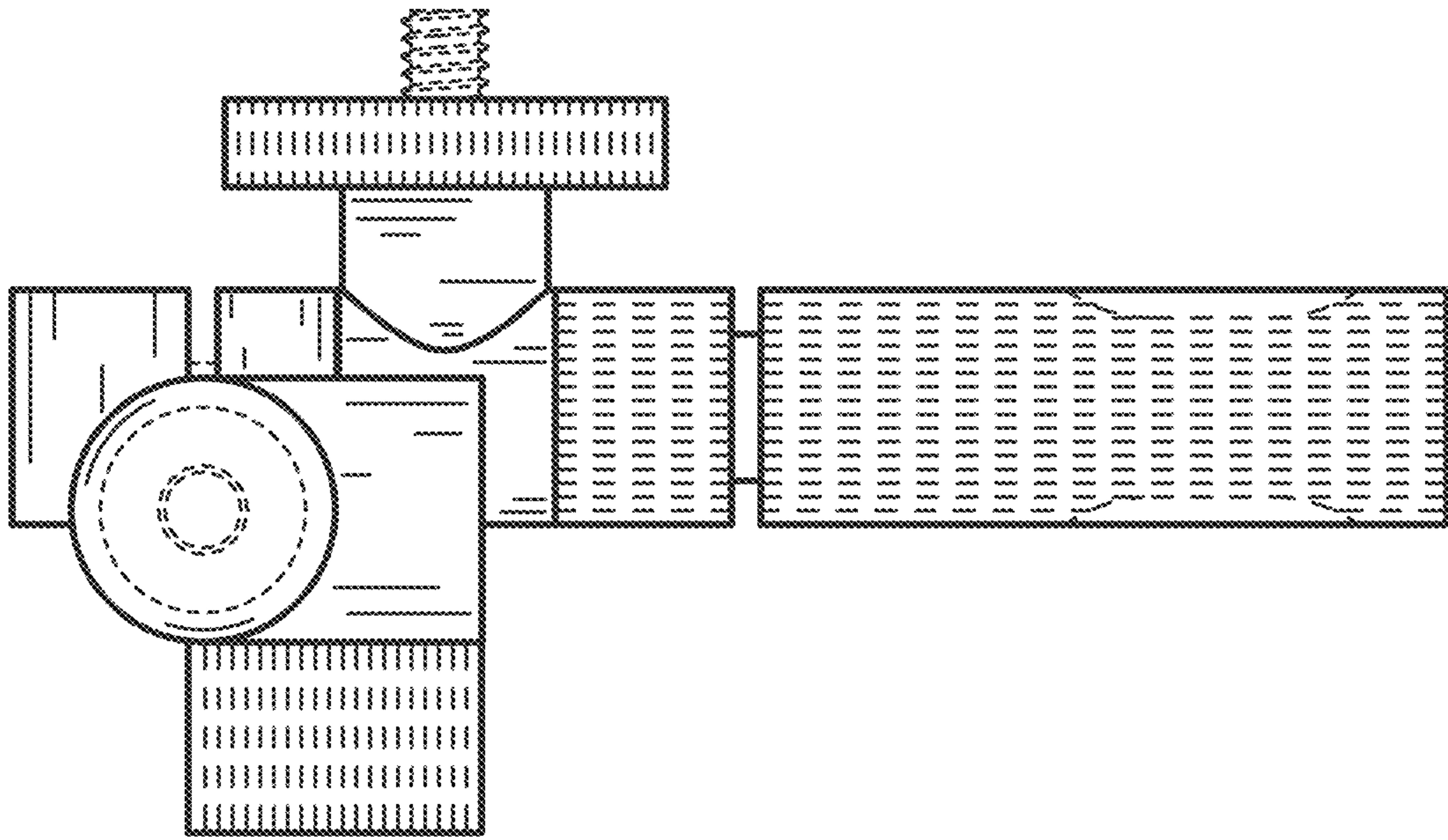


FIG 2

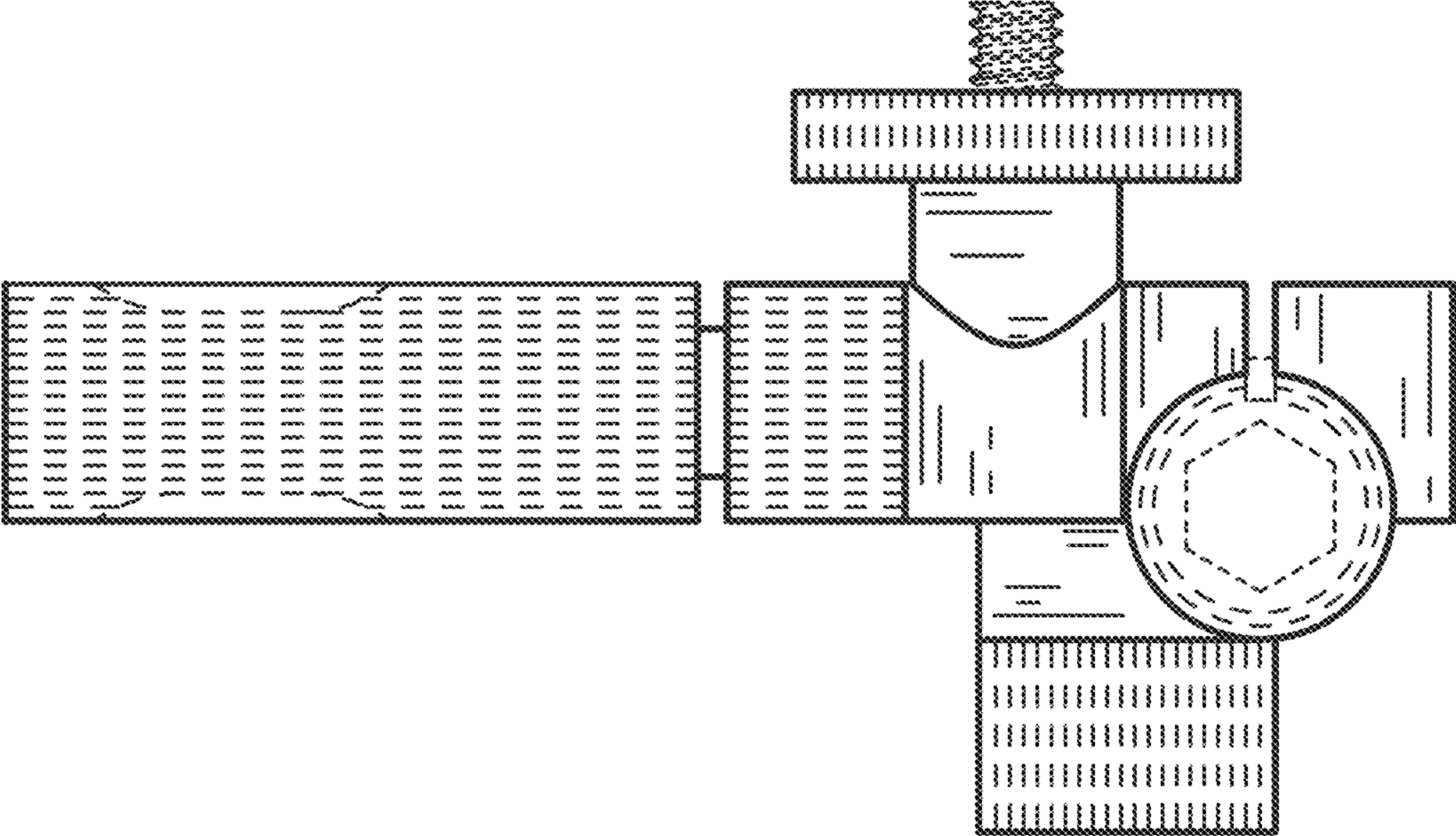


FIG 3

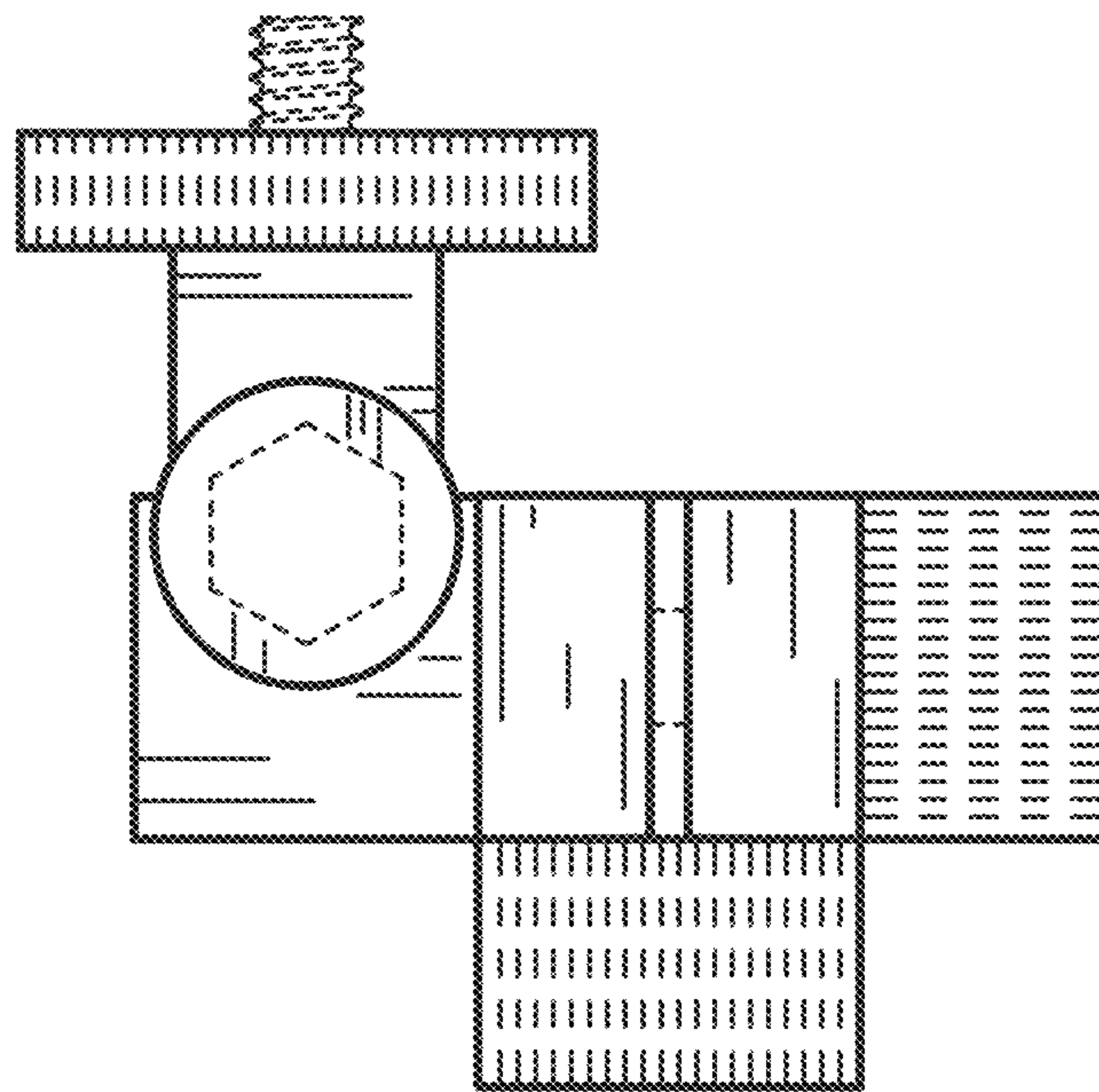


FIG 4

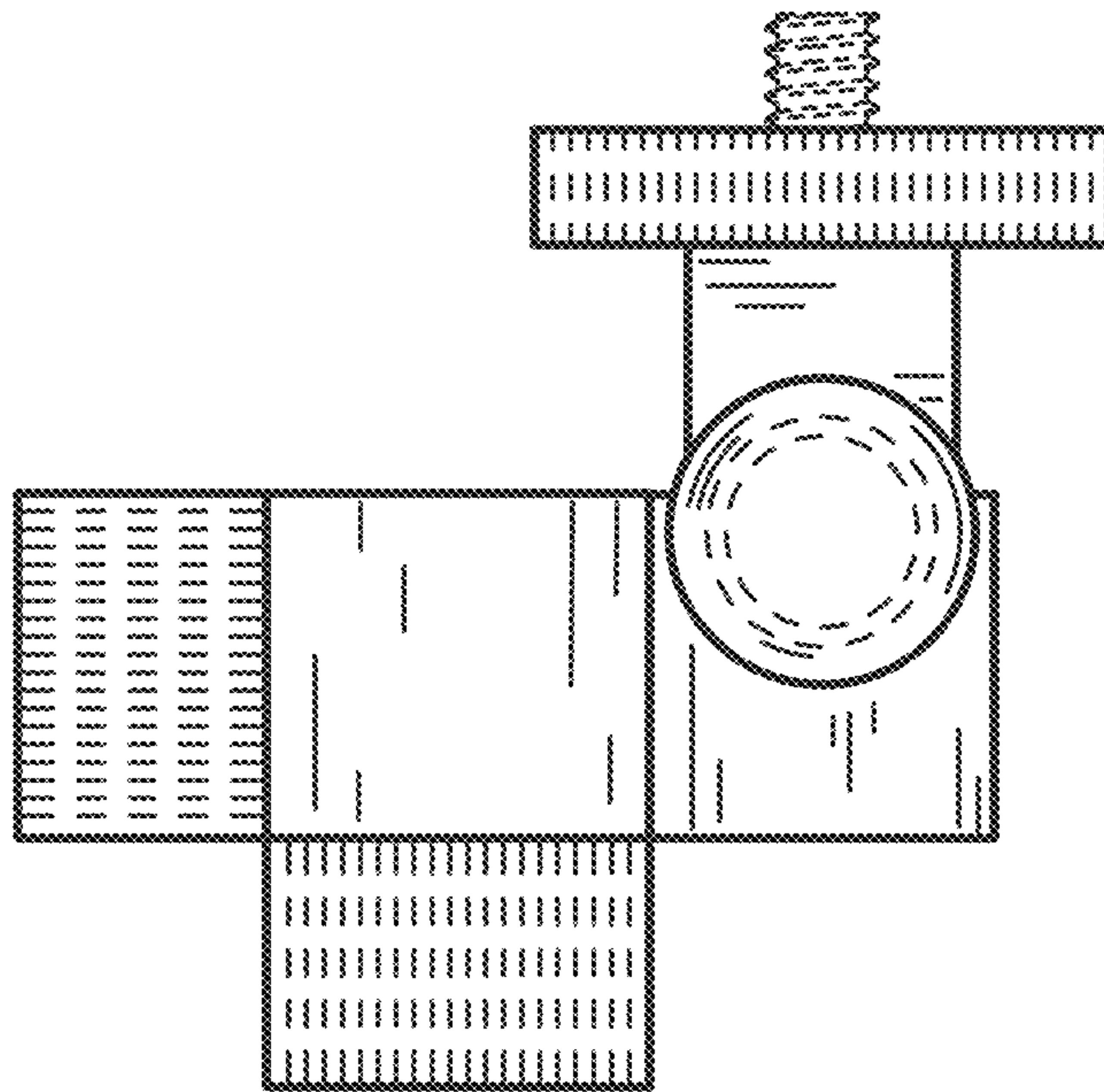


FIG 5

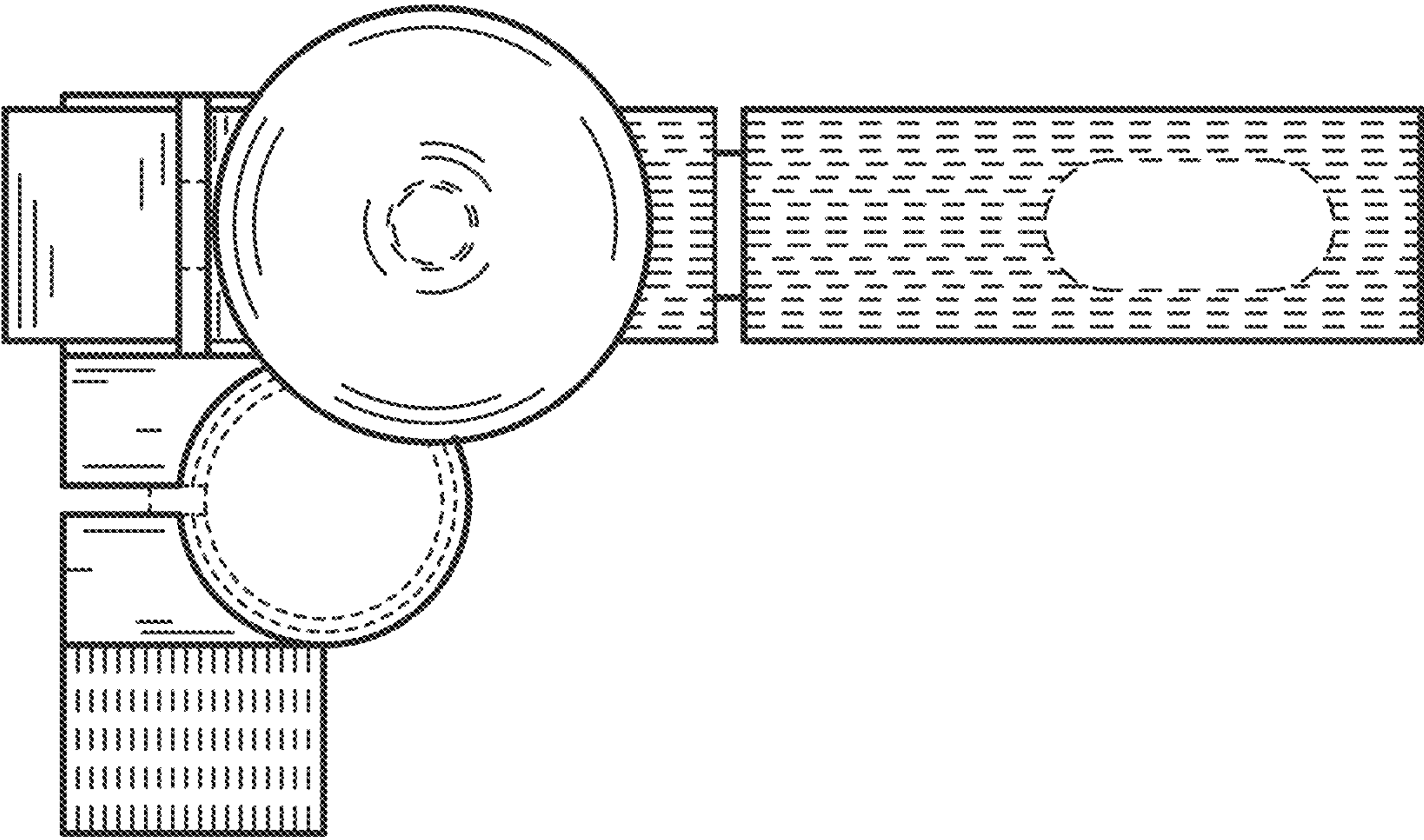


FIG 6

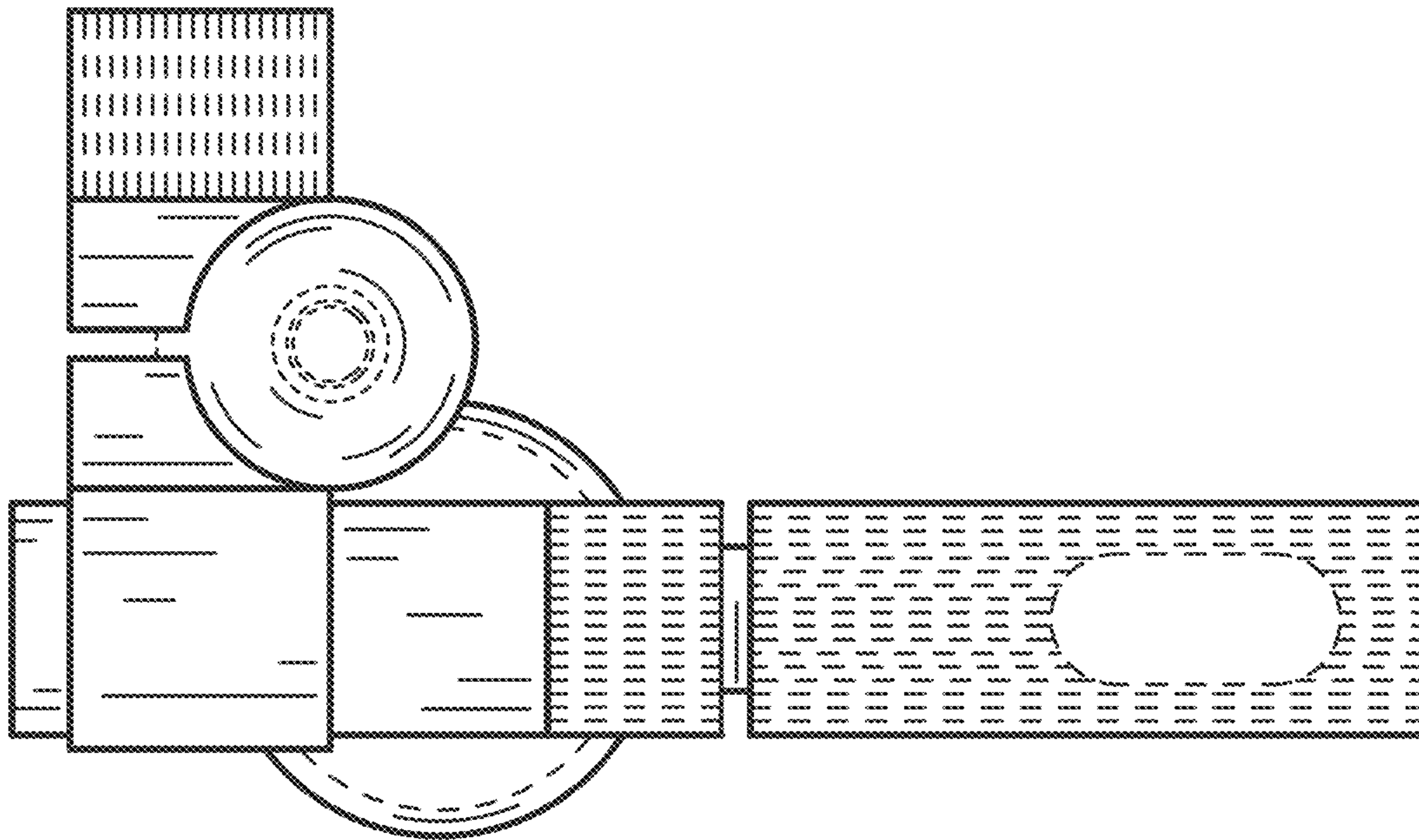


FIG 7

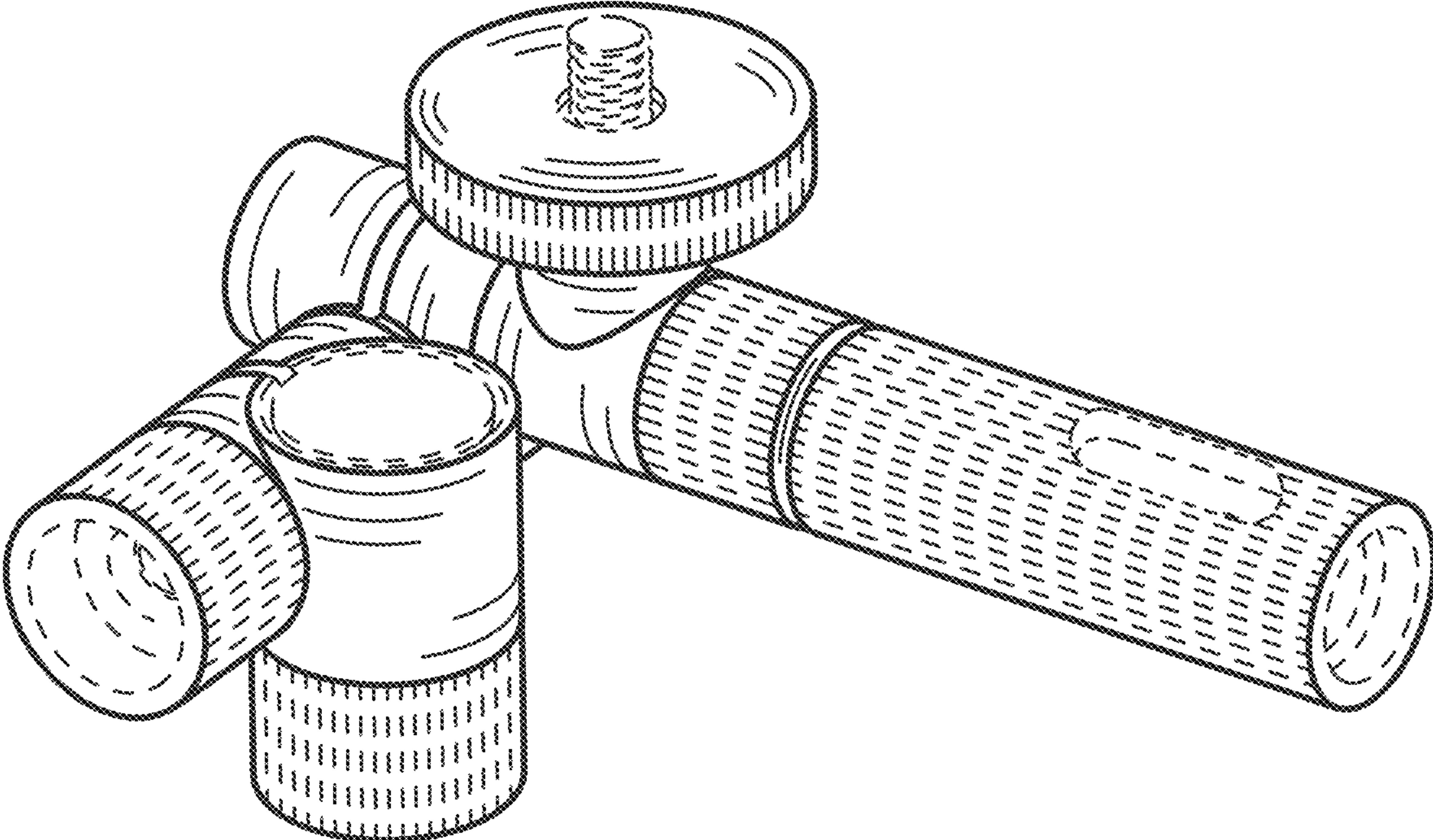


FIG 8