



US00D920420S

(12) **United States Design Patent**
Ke et al.

(10) **Patent No.: US D920,420 S**

(45) **Date of Patent: ** May 25, 2021**

(54) **OUTDOOR FLASH**

(71) Applicant: **SHENZHEN NEEWER TECHNOLOGY CO. LTD**, Shenzhen (CN)

(72) Inventors: **Yan Ke**, Shenzhen (CN); **Xiaofeng Zheng**, Shenzhen (CN)

(73) Assignee: **SHENZHEN NEEWER TECHNOLOGY CO. LTD**, Shenzhen (CN)

(**) Term: **15 Years**

(21) Appl. No.: **29/652,818**

(22) Filed: **Dec. 9, 2020**

(51) **LOC (13) Cl.** **16-05**

(52) **U.S. Cl.**
USPC **D16/239**

(58) **Field of Classification Search**
USPC D16/239, 240; D26/45, 46, 48
CPC G03B 15/05
See application file for complete search history.

(56) **References Cited**

U.S. PATENT DOCUMENTS

D201,913 S	8/1965	Raymond	
D207,552 S *	5/1967	Perkins et al.	D10/112
D279,223 S *	6/1985	Tanaka	D26/46
D292,893 S *	11/1987	Bakula	D10/112
D559,141 S *	1/2008	Martinez	D10/112
D584,438 S *	1/2009	Crawford	D26/46
D585,927 S	2/2009	Sheard et al.	
D605,796 S	12/2009	Crawford et al.	
D707,744 S	6/2014	Shimizu et al.	
9,264,599 B2 *	2/2016	Reid	F16M 11/00
D757,838 S	5/2016	Laho et al.	
D780,245 S	2/2017	Ruback et al.	
D788,341 S	5/2017	Inskeep	
D791,624 S	7/2017	Wong	

D805,571 S	12/2017	Högstedt et al.	
D805,572 S	12/2017	Högstedt et al.	
D819,115 S *	5/2018	Nohara	D16/239
D884,776 S *	5/2020	Chen	D16/239
D885,469 S *	5/2020	Chen	D16/239
D886,182 S	6/2020	Chen	

OTHER PUBLICATIONS

The Q Photography System. [online] Retrieved Apr. 16, 2021 from URL: <https://ifworlddesignguide.com/entry/315936-the-q-photography-system>.*

Geekoto GT200 Monolight. [online] Retrieved Apr. 16, 2021 from URL: https://www.bhphotovideo.com/c/product/1571869-REG/geekoto_gt200_soft_cover_gt200_monolight_w_magnet_soft.html?ap=y&ap=y&smp=y&smp=y&lsft=BI%3A514&gclid=EAlalQobChMlmbyc1Z-D8AIVhgilCR0BngxnEAKYBiABEgJbifD_BwE.*

(Continued)

Primary Examiner — Vy N Koenig

(74) *Attorney, Agent, or Firm* — Westbridge IP LLC

(57) **CLAIM**

The ornamental design for an outdoor flash, as shown and described.

DESCRIPTION

FIG. 1 is a front perspective view of an outdoor flash showing our new design;

FIG. 2 is a rear perspective view thereof;

FIG. 3 is a front elevational view thereof;

FIG. 4 is a rear elevational view thereof;

FIG. 5 is a left side elevational view thereof;

FIG. 6 is a right side elevational view thereof;

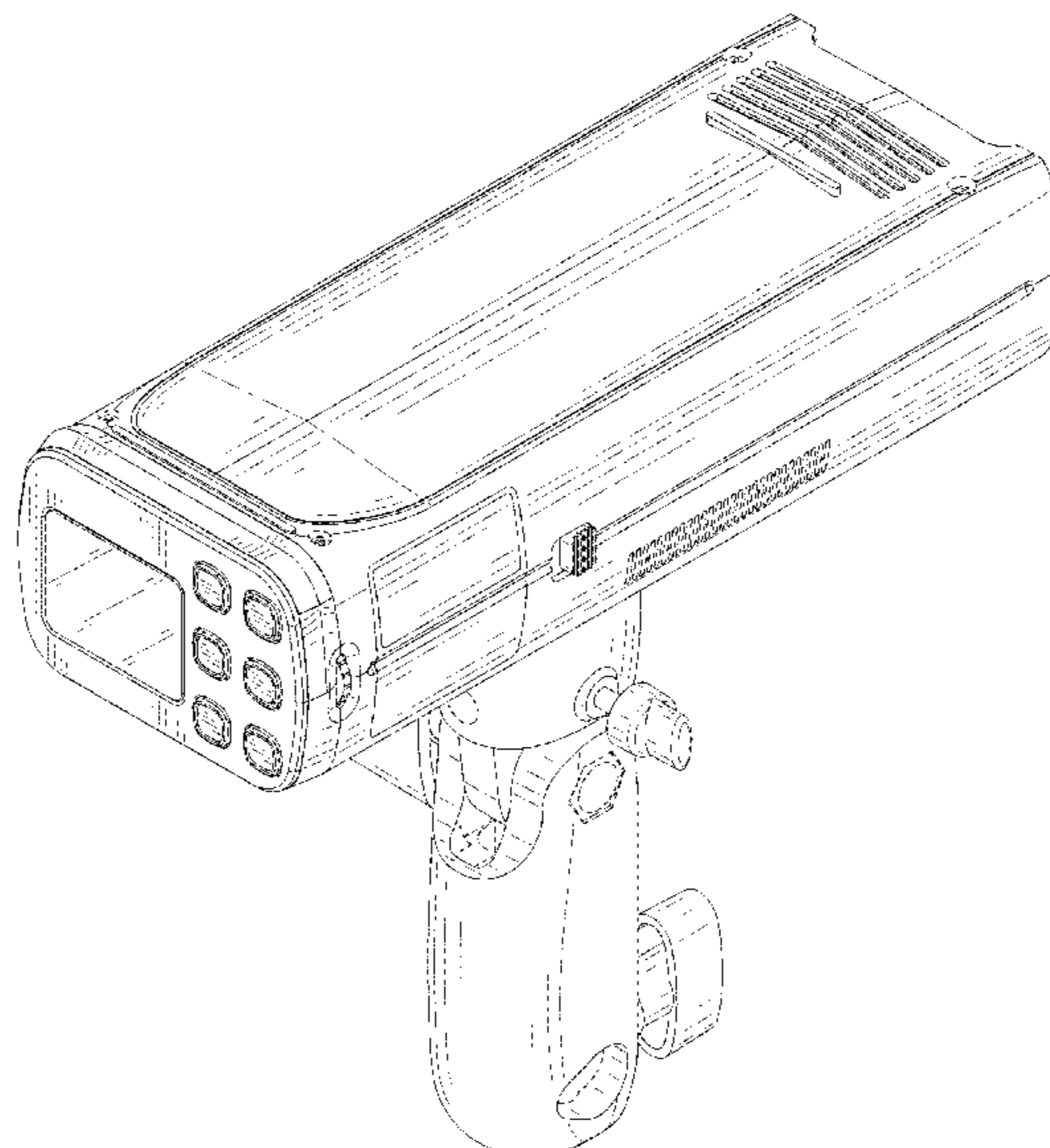
FIG. 7 is a top plan view thereof;

FIG. 8 is a bottom plan view thereof; and,

FIG. 9 is an enlarged view of portion 9 of FIG. 2.

The broken lines in the drawings illustrate the portions of the outdoor flash which form no part of the claimed design.

1 Claim, 9 Drawing Sheets



(56)

References Cited

OTHER PUBLICATIONS

Neewer 200Ws 2.4G TTL Flash Strobe . . . [online] First available May 10, 2020. Retrieved from URL: https://www.amazon.com/Neewer-Cordless-Monolight-Compatible-Cameras%EF%BC%8C3200mAh/dp/B088D5YDBF/ref=zg_bs_3347931_20?_encoding=UTF8&psc=1&refRID=DJE9S38W8ZWTF1FHEX9. *
29652818_NPL_ForeignRefs. (Design © Questel) orbit.com. [Online PDF compilation of foreign patent references selected by examiner] 32 pages. Retrieved Apr. 16, 2021. <https://www.orbit.com/export/QPTUJ190/pdf2/a4c2ef34-2cb4-4dc9-aeff-19e65138bfbf-204030.pdf>. *

* cited by examiner

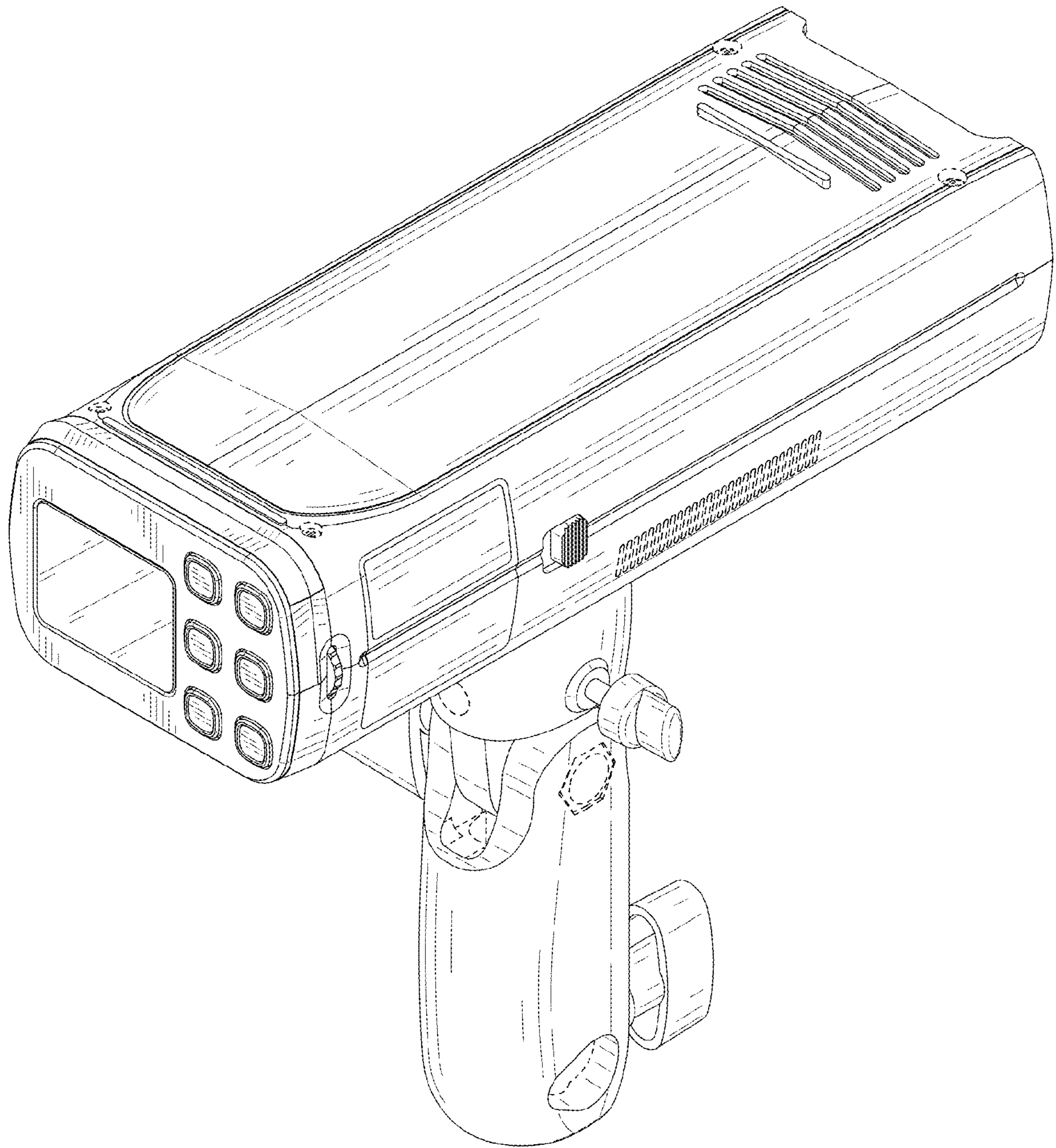


FIG. 1

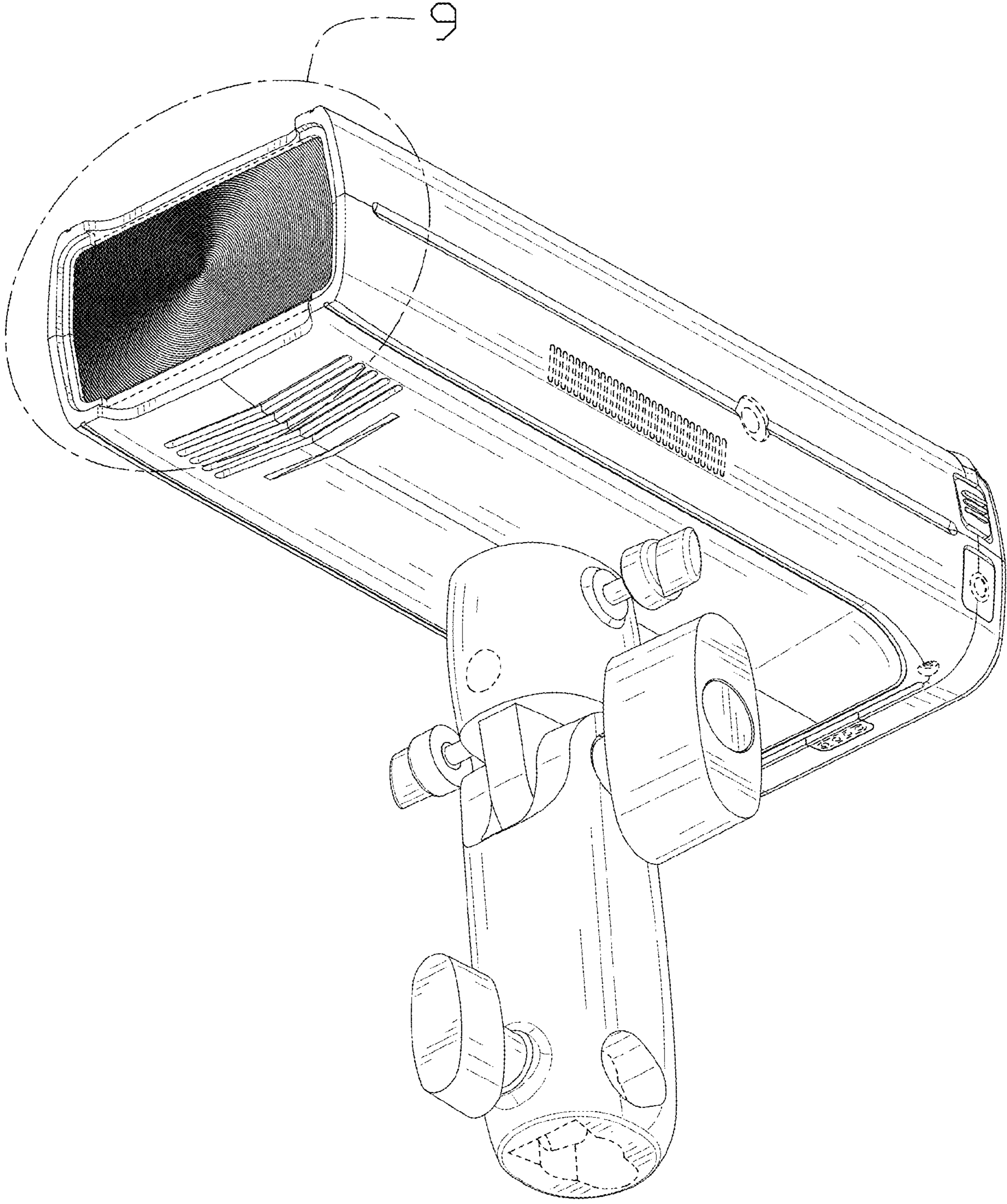


FIG. 2

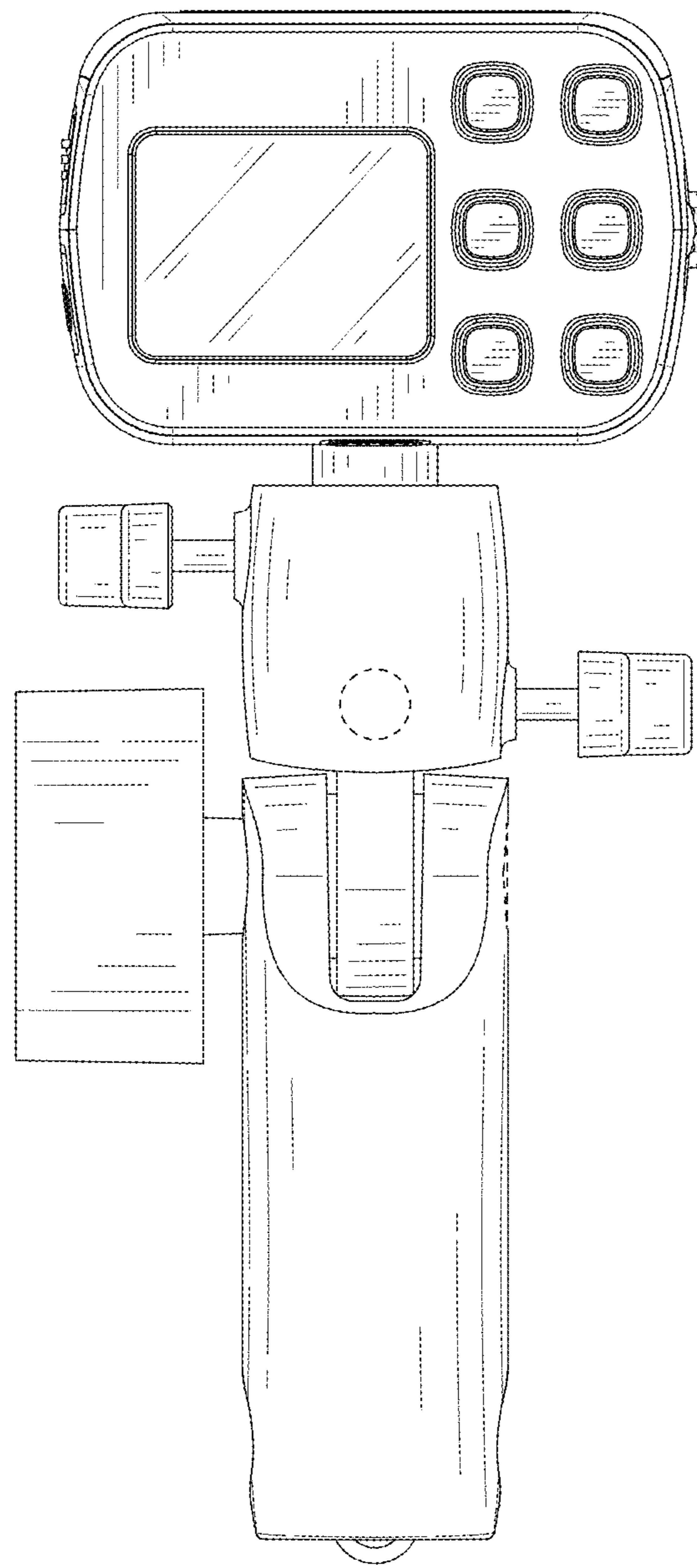


FIG. 3

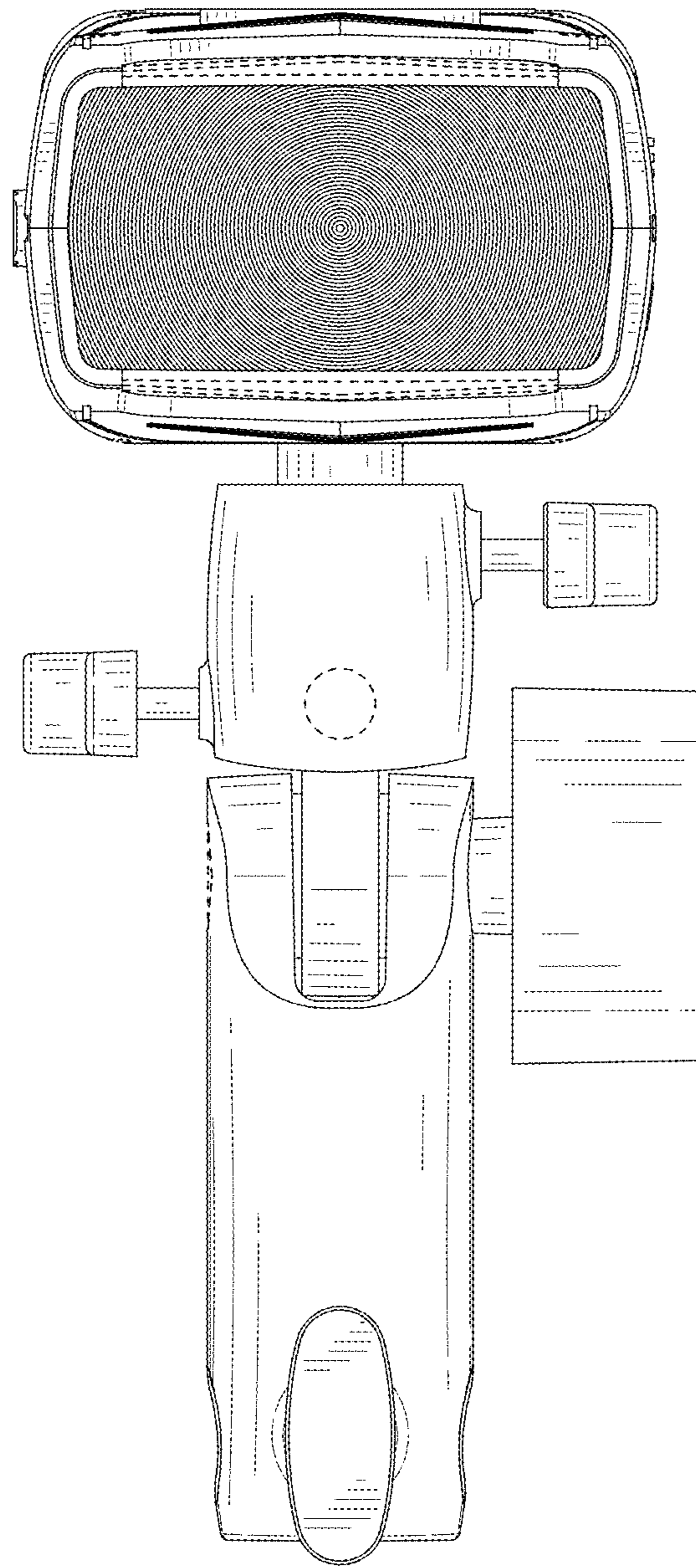


FIG. 4

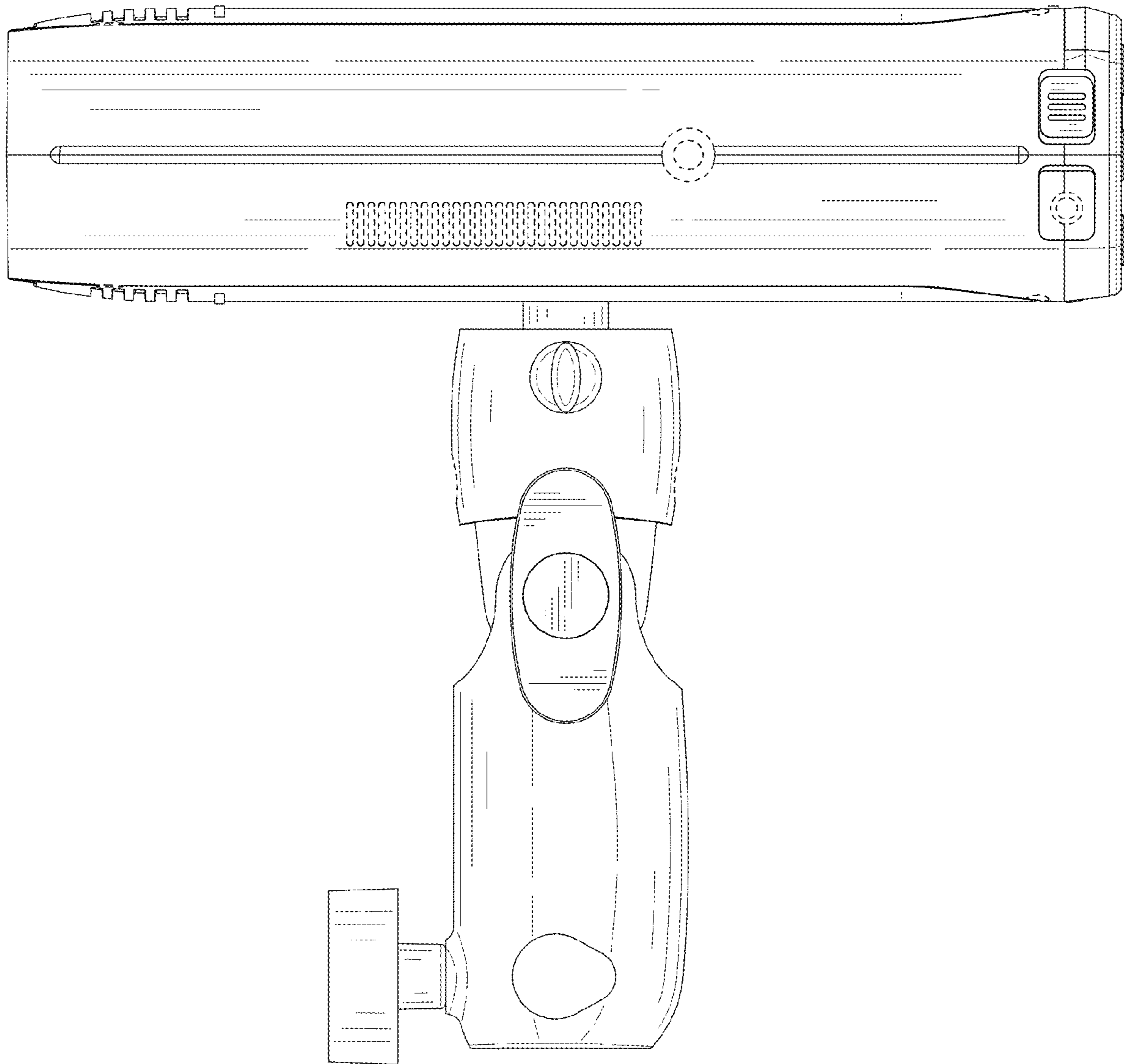


FIG. 5

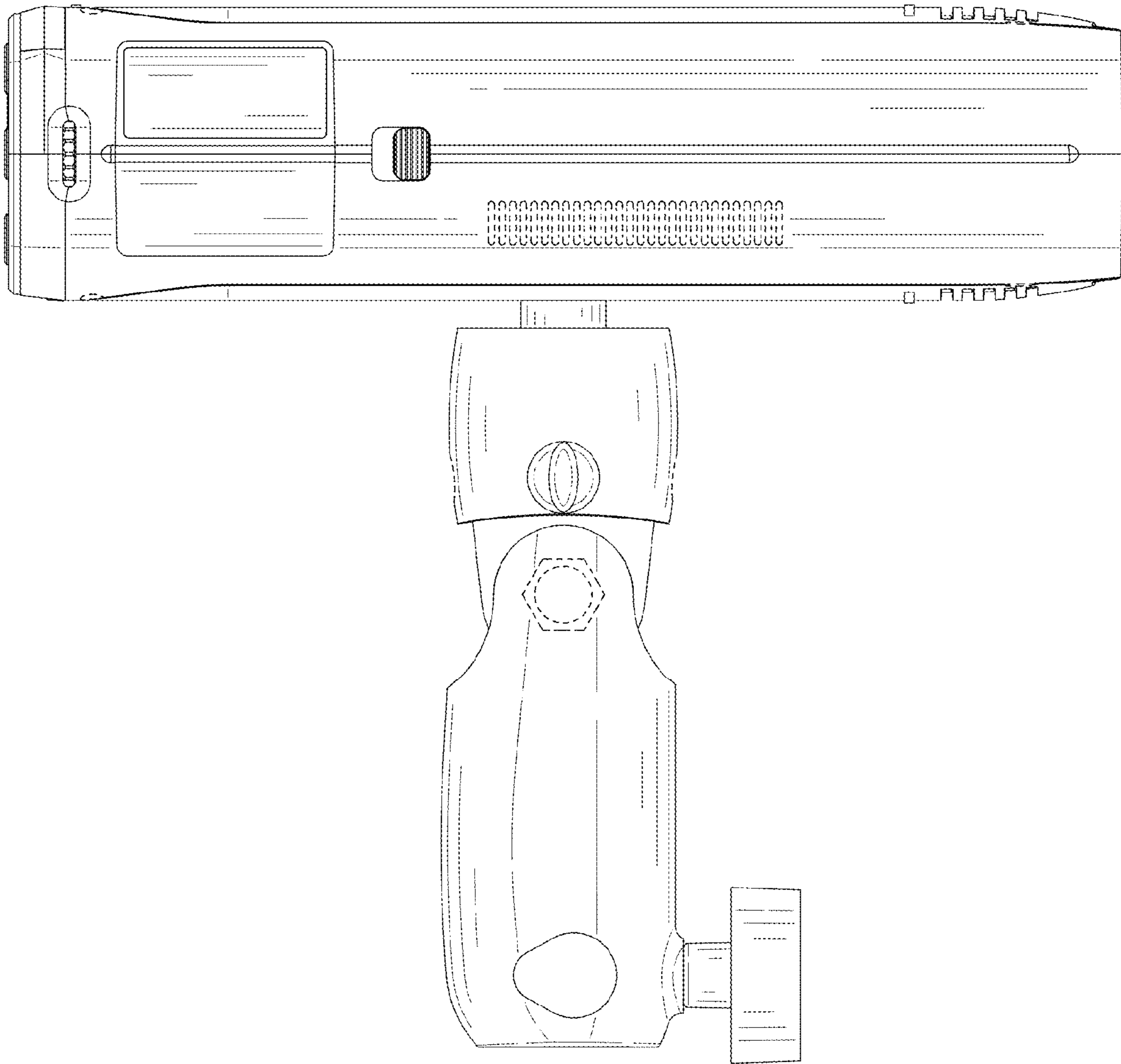


FIG. 6

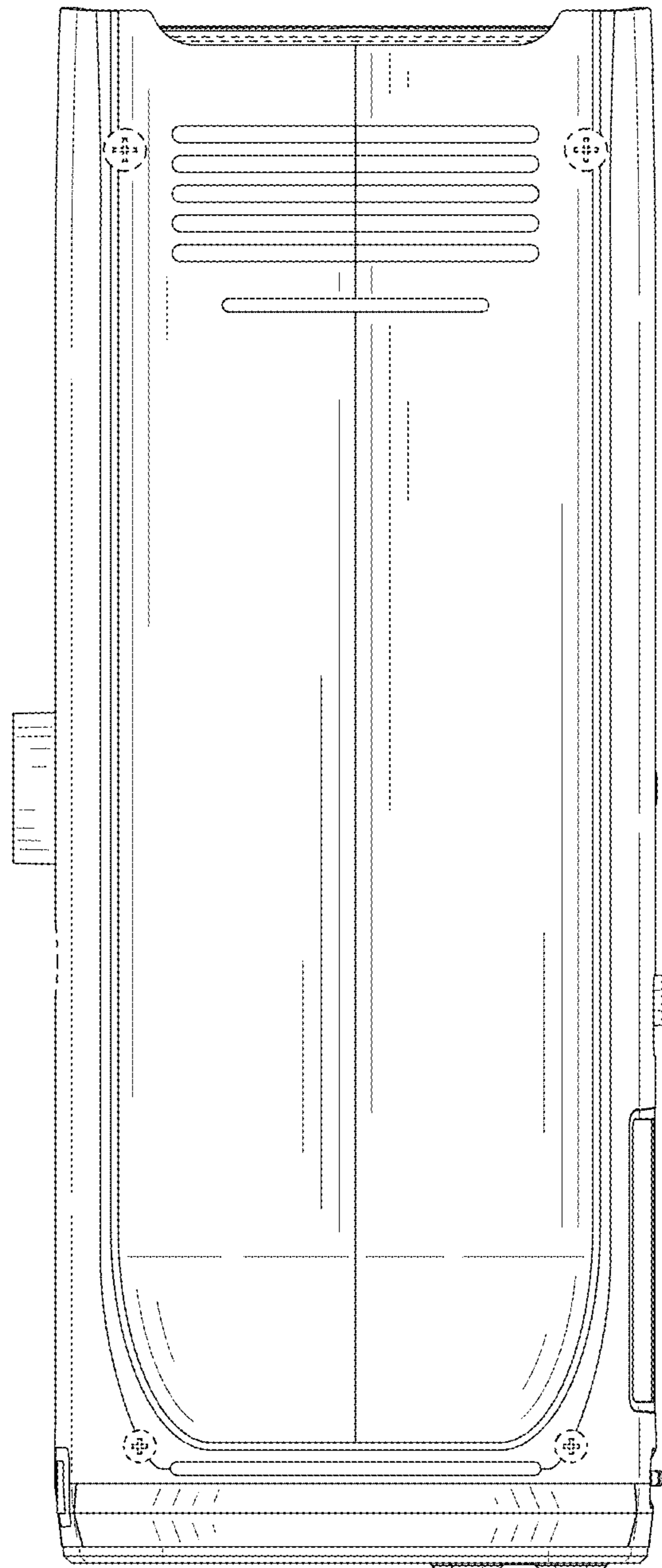


FIG. 7

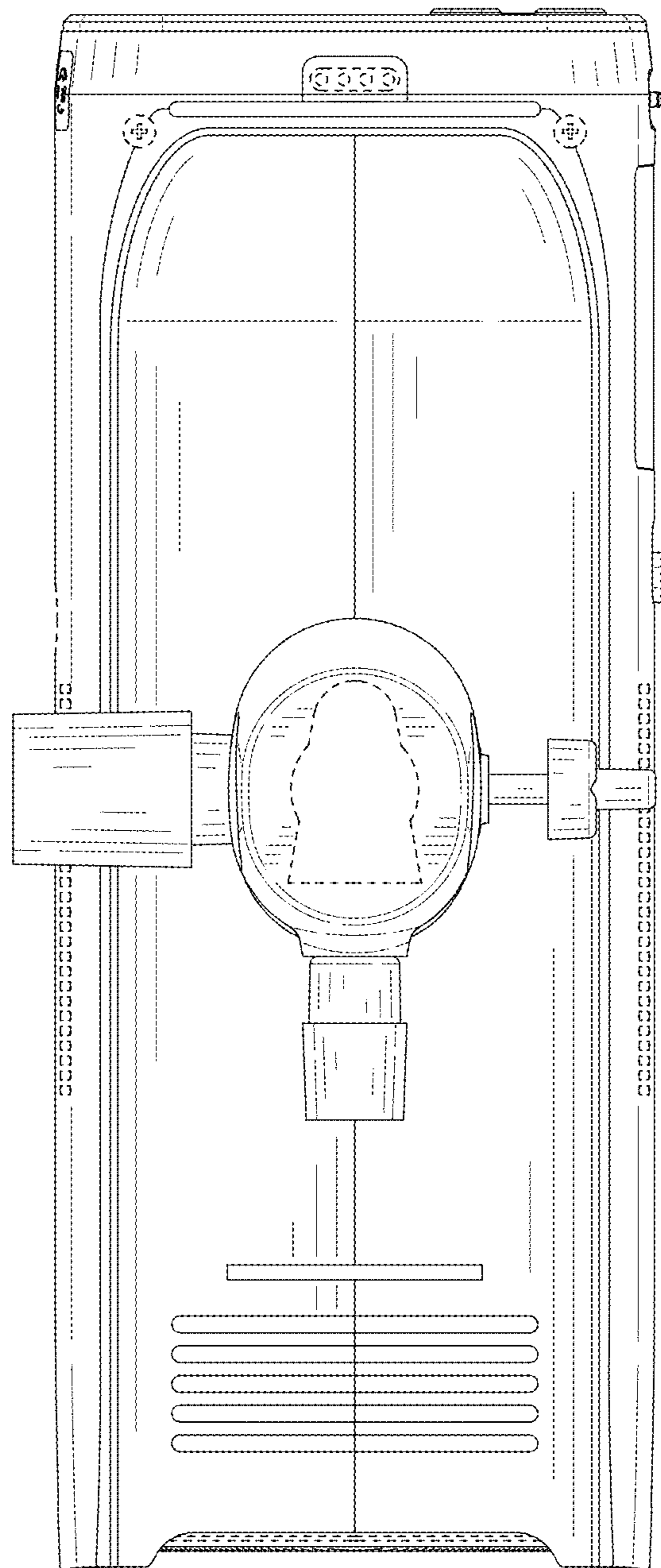


FIG. 8

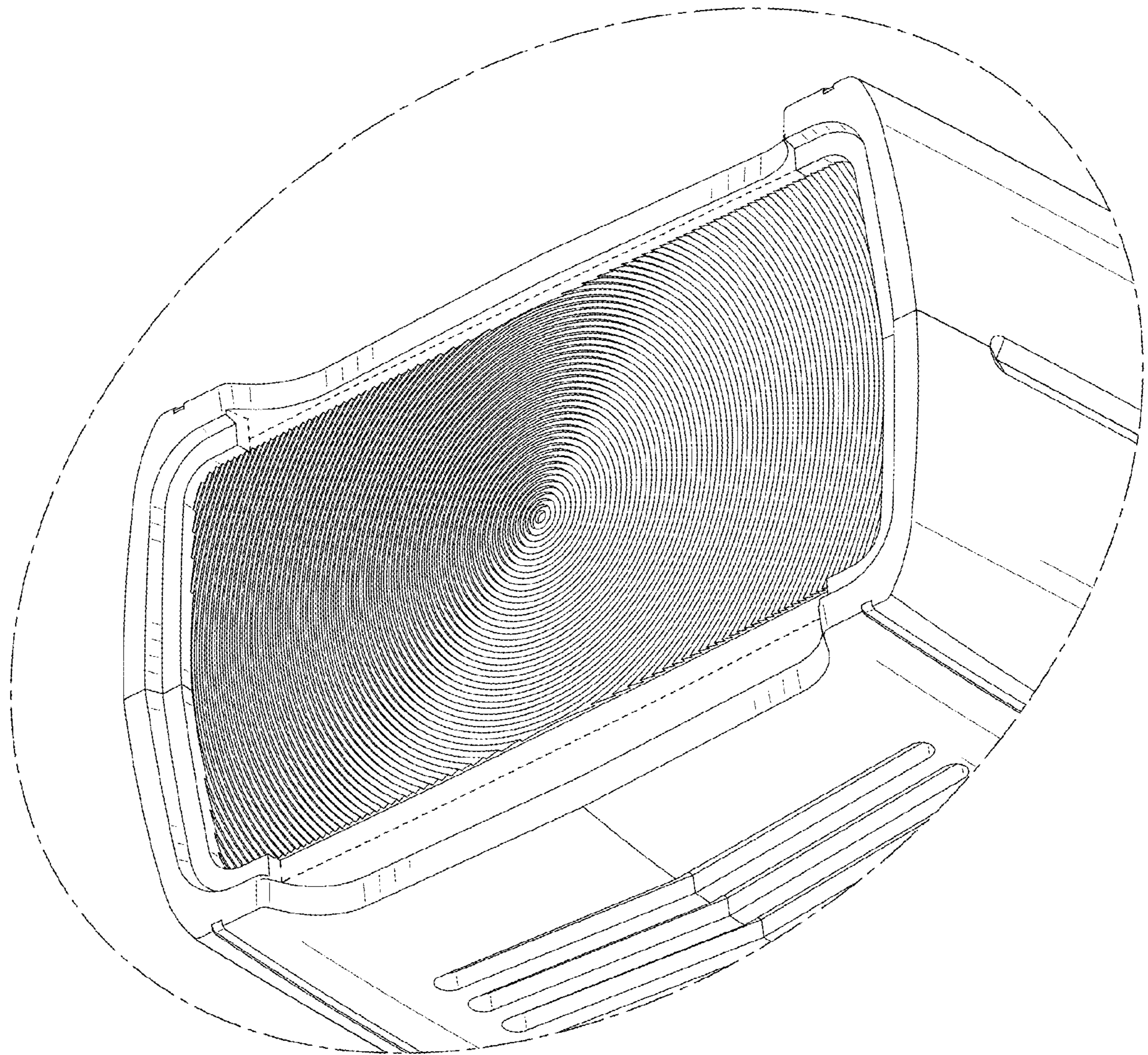


FIG. 9