



US00D920419S

(12) **United States Design Patent**  
**Muhlenkamp, IV et al.**

(10) **Patent No.:** **US D920,419 S**

(45) **Date of Patent:** **\*\* May 25, 2021**

(54) **CAMERA**

(71) Applicant: **GoPro, Inc.**, San Mateo, CA (US)

(72) Inventors: **John George Muhlenkamp, IV**,  
Brisbane, CA (US); **Huy Phuong**  
**Nguyen**, San Mateo, CA (US); **Daniel**  
**J. Coster**, San Francisco, CA (US)

(73) Assignee: **GoPro, Inc.**, San Mateo, CA (US)

(\*\*) Term: **15 Years**

(21) Appl. No.: **29/706,013**

(22) Filed: **Sep. 17, 2019**

(51) **LOC (13) Cl.** ..... **16-01**

(52) **U.S. Cl.**  
USPC ..... **D16/218; D16/202**

(58) **Field of Classification Search**  
USPC ..... D16/200, 202–208, 218, 219, 242;  
348/164, 373–376; 396/448, 535,  
396/539–541  
CPC ..... G03B 17/02; G03B 19/04; G03B 17/56;  
G03B 17/04; G03B 15/03; H04N 5/2251;  
H04N 5/2252; H04N 5/2253; H04N  
5/2254; H04N 7/181; H04N 7/183; H04N  
7/18; G08B 13/1963; G08B 13/19619;  
G08B 13/19632; F16M 11/04; F16M  
13/00

See application file for complete search history.

(56) **References Cited**

**U.S. PATENT DOCUMENTS**

D805,117 S \* 12/2017 Nguyen ..... D16/218  
D806,775 S \* 1/2018 Nguyen ..... D16/218

D825,636 S \* 8/2018 Hueber ..... D16/202  
D836,696 S \* 12/2018 Zhang ..... D16/202  
D837,865 S \* 1/2019 Parfitt ..... D16/219  
D839,335 S \* 1/2019 Zhang ..... D16/202  
D840,463 S \* 2/2019 Nguyen ..... D16/218  
D849,084 S \* 5/2019 Hu ..... D16/202  
D850,513 S \* 6/2019 Gan ..... D16/218  
D852,255 S \* 6/2019 Guo ..... D16/202  
D854,597 S \* 7/2019 Gao ..... D16/202  
D857,076 S \* 8/2019 Gan ..... D16/202  
D867,420 S \* 11/2019 Zhang ..... D16/202

\* cited by examiner

*Primary Examiner* — Ramzi S Almatrahi

(74) *Attorney, Agent, or Firm* — Young Basile Hanlon &  
MacFarlane, P.C.

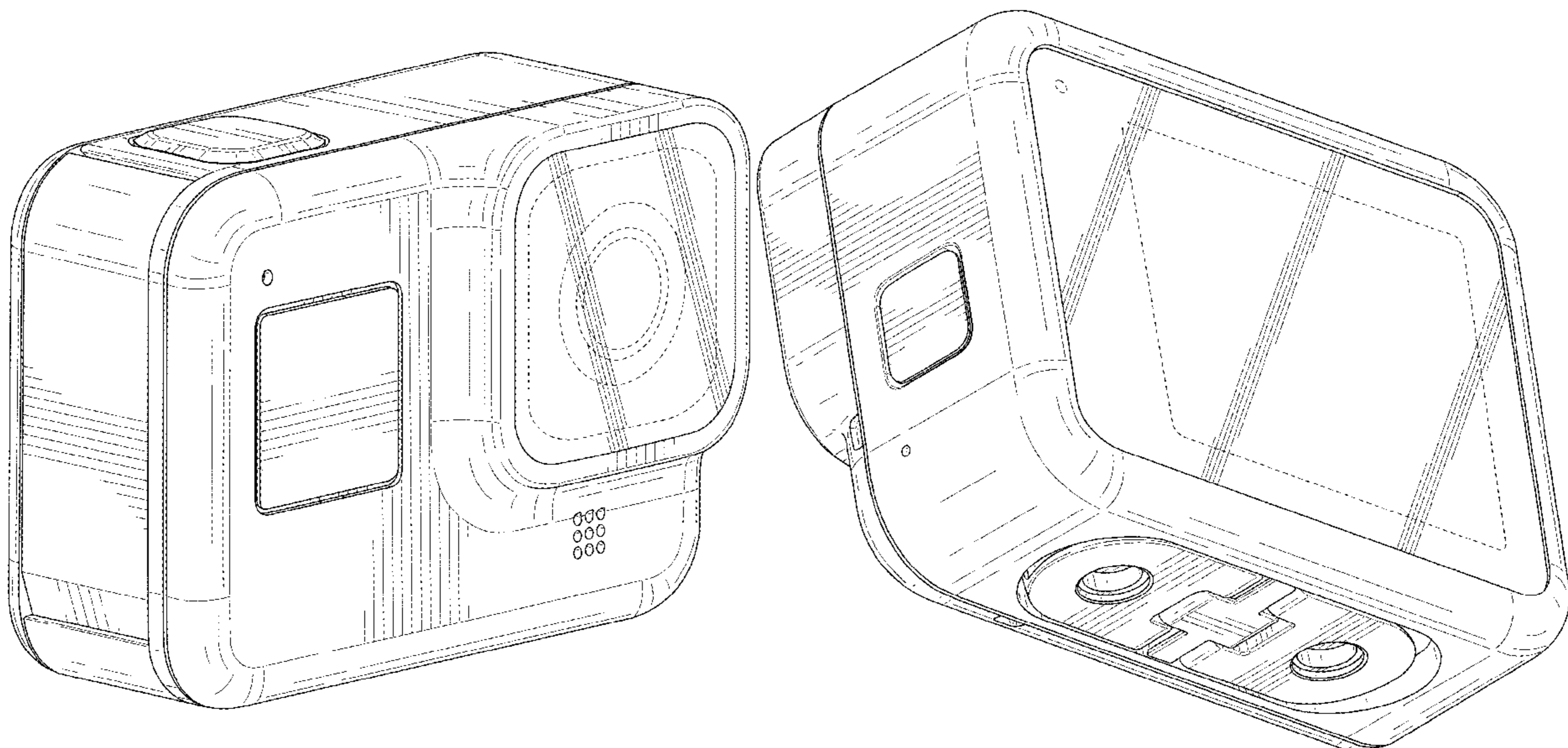
(57) **CLAIM**

The ornamental design for a camera, as shown and  
described.

**DESCRIPTION**

FIG. 1 is a top, front and left perspective view of a camera  
showing our new design;  
FIG. 2 is a bottom, rear and right perspective view thereof;  
FIG. 3 is a front view thereof;  
FIG. 4 is a rear view thereof;  
FIG. 5 is a right view thereof;  
FIG. 6 is a left view thereof;  
FIG. 7 is a top view thereof; and,  
FIG. 8 is a bottom view thereof.

**1 Claim, 8 Drawing Sheets**



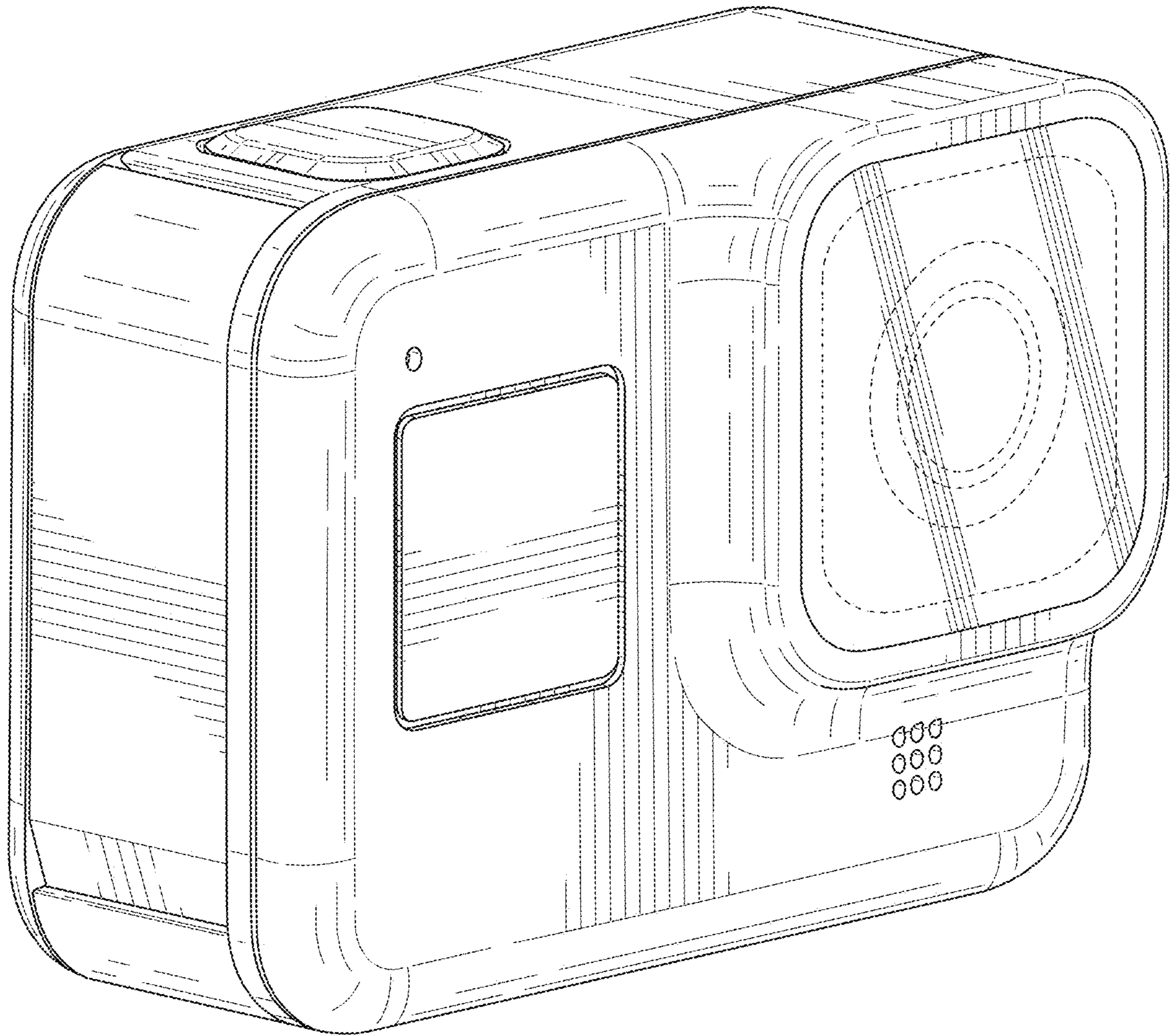


FIG. 1

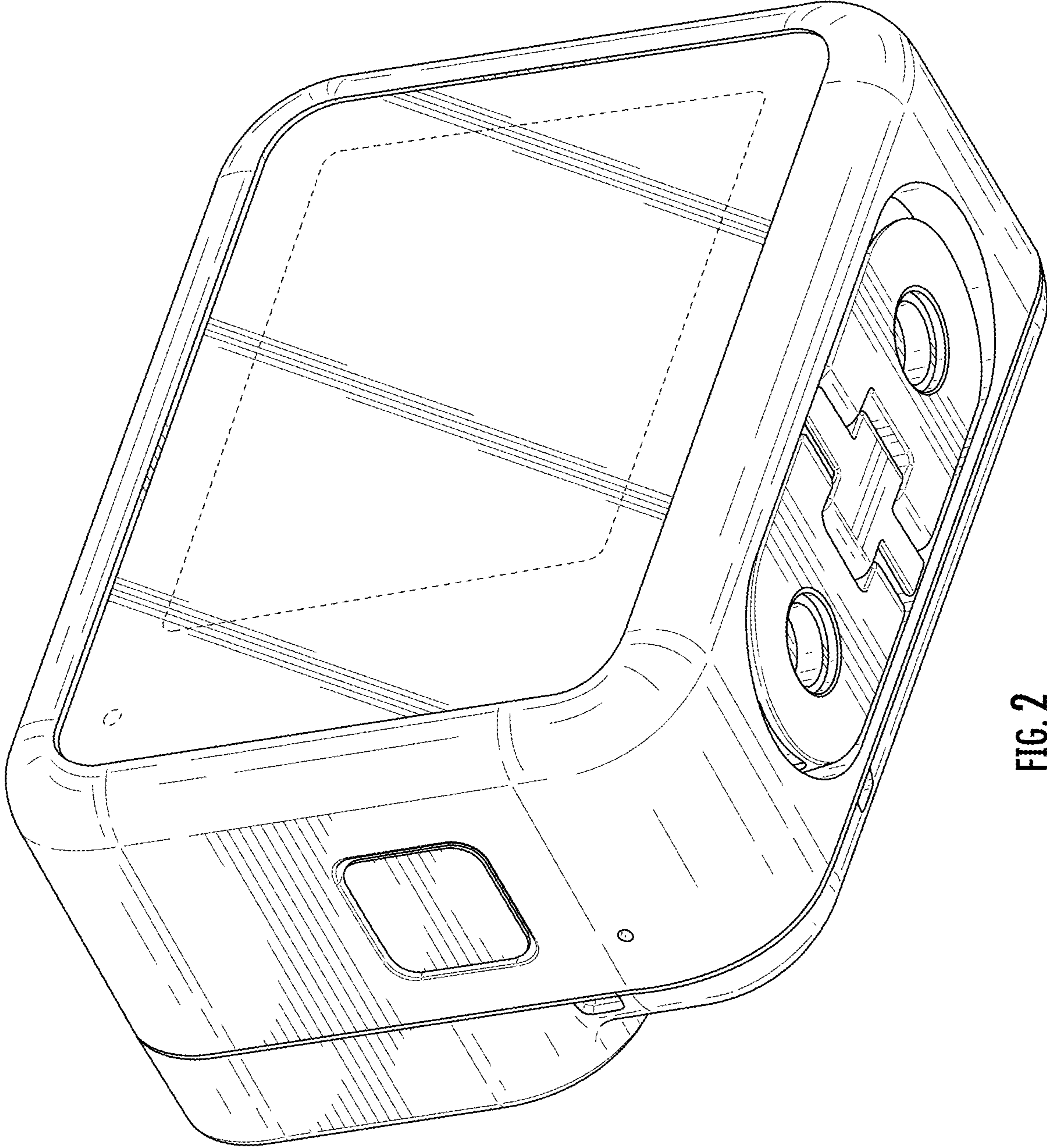


FIG. 2

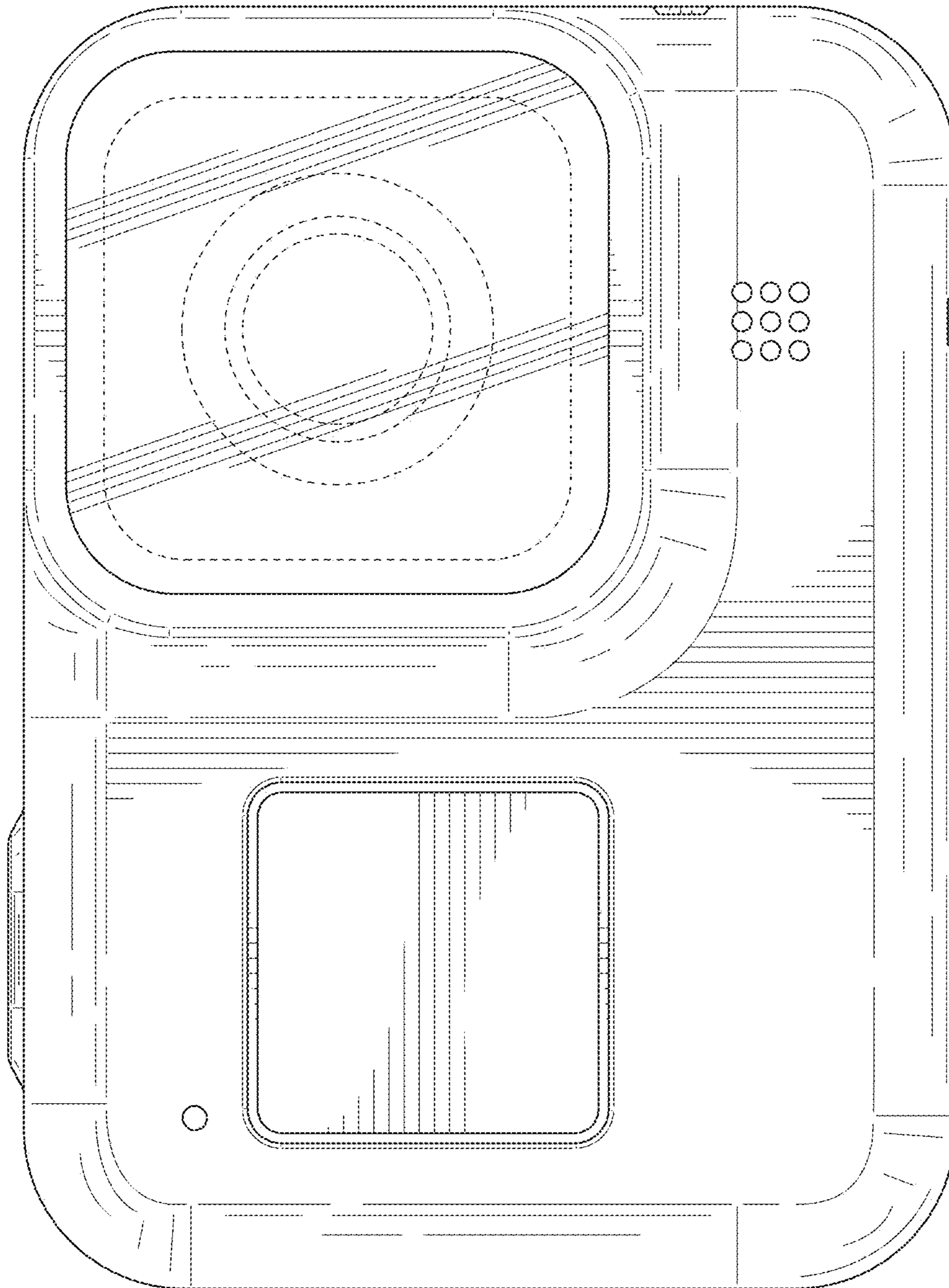


FIG. 3

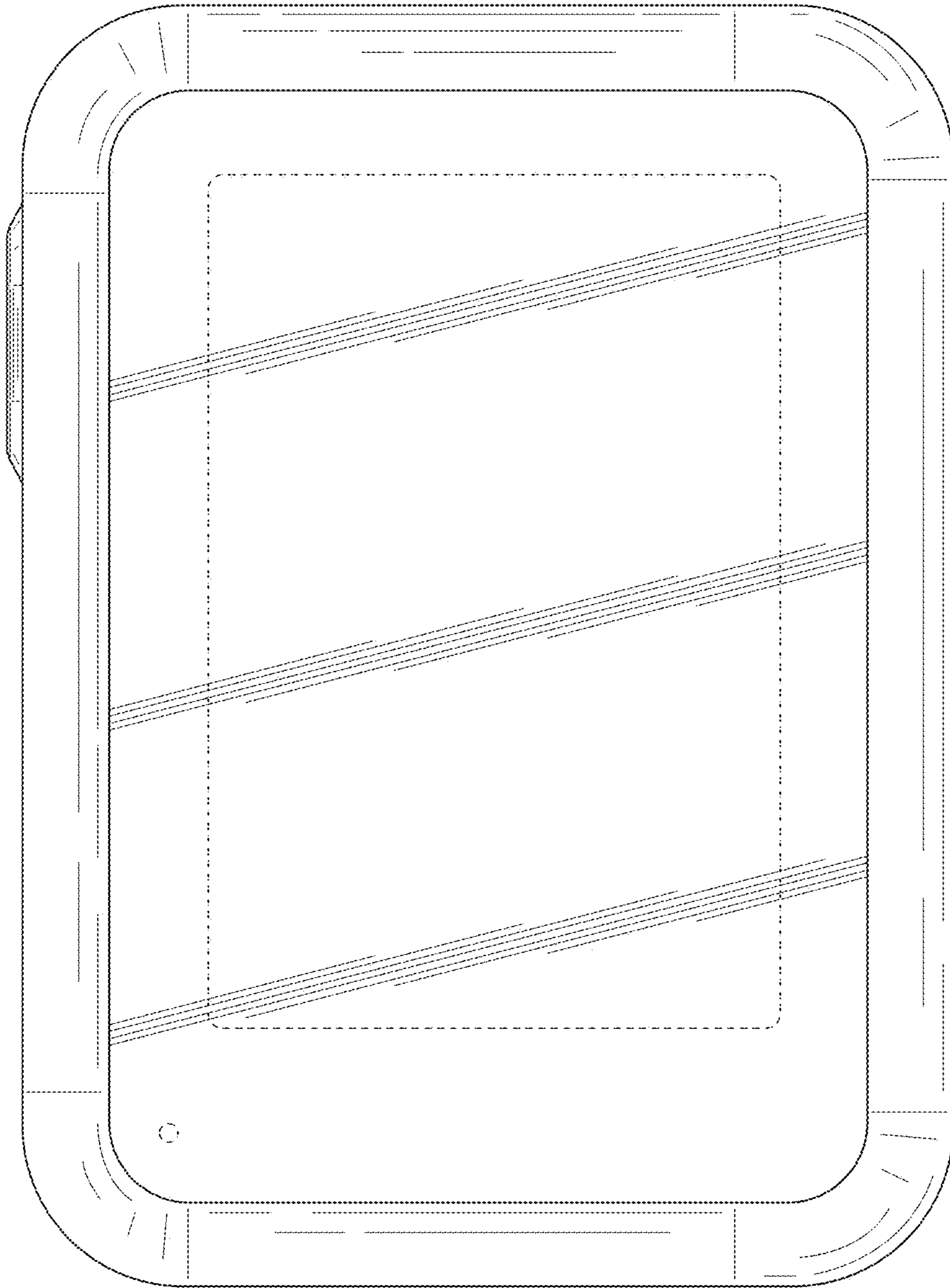


FIG. 4

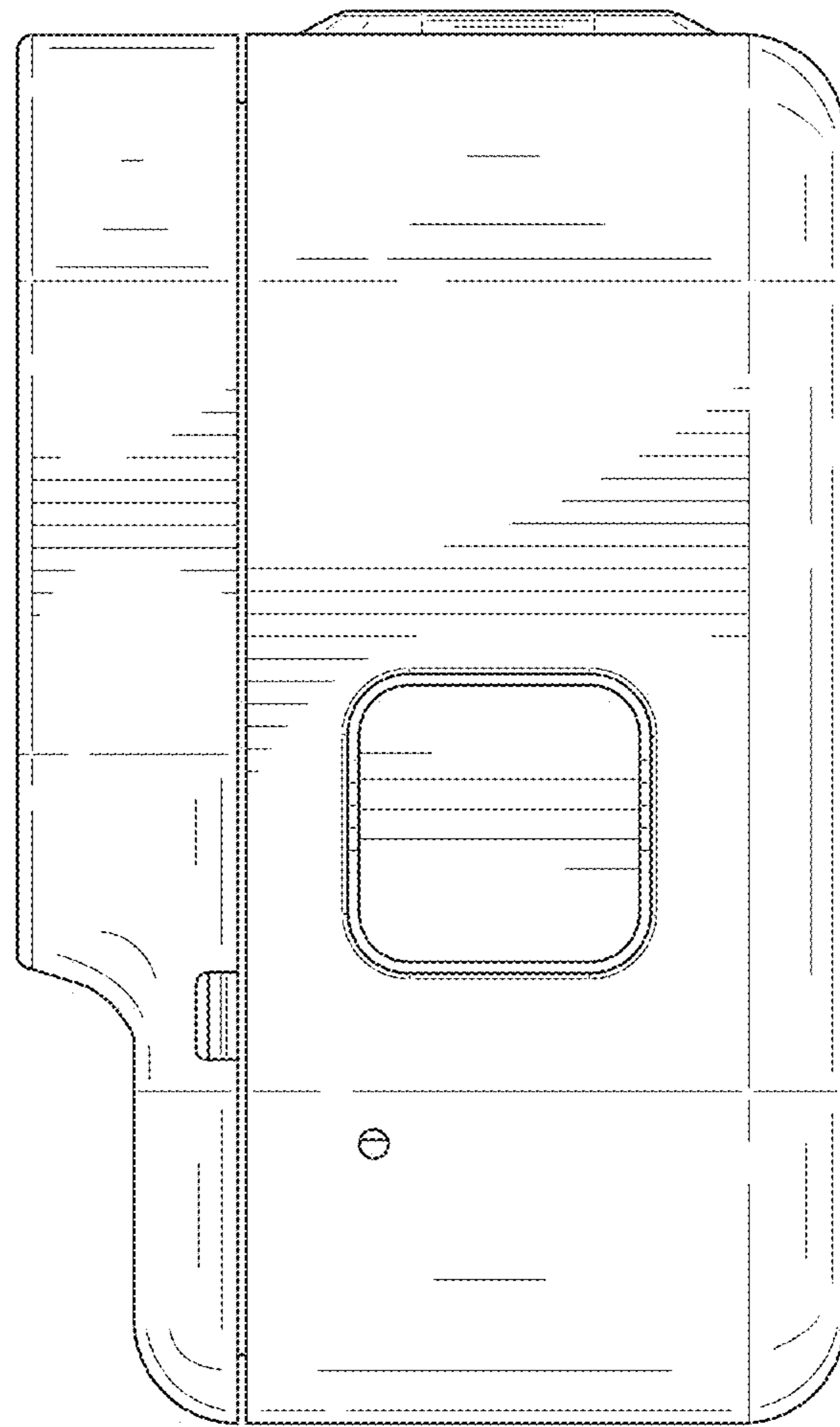


FIG. 5

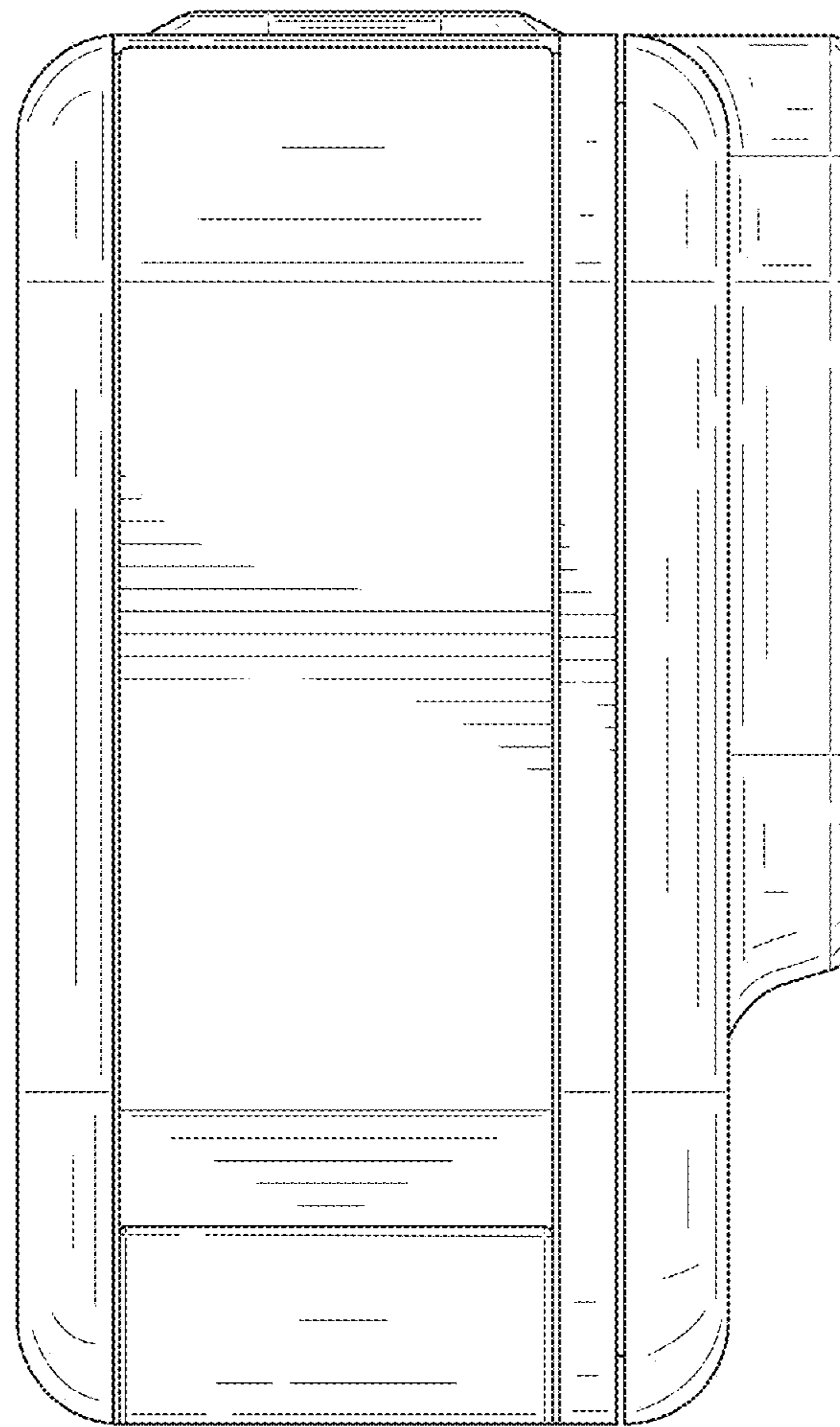


FIG. 6

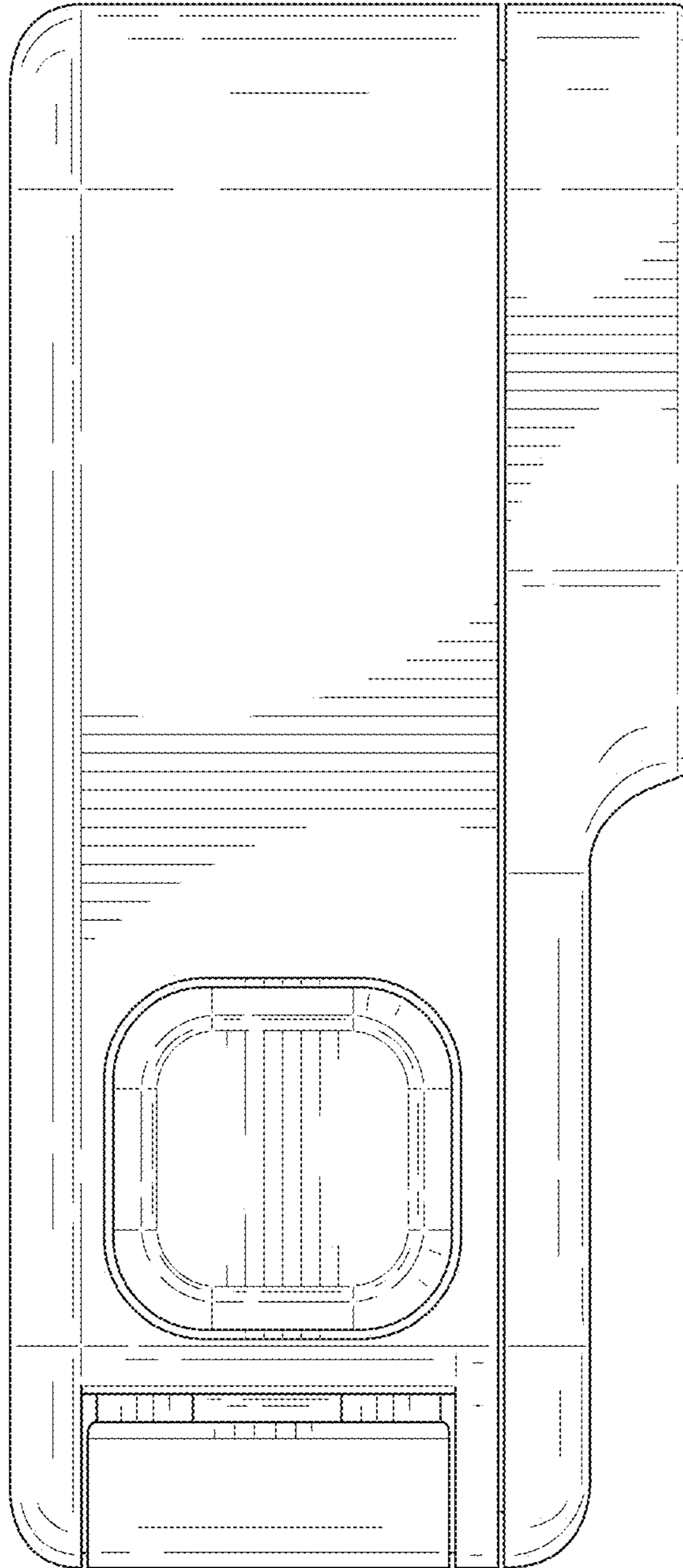


FIG. 7



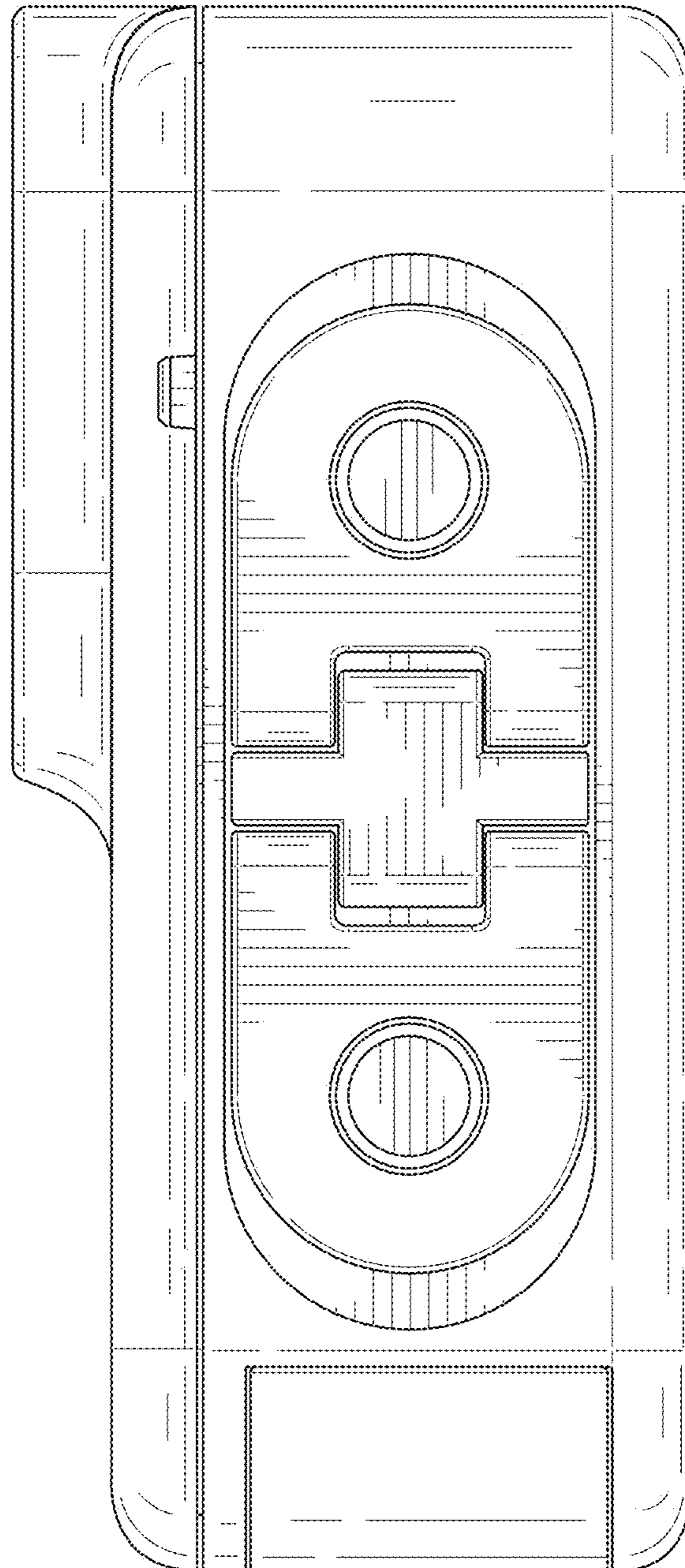


FIG. 8