



US00D920418S

(12) **United States Design Patent** (10) **Patent No.:** **US D920,418 S**
Scalisi et al. (45) **Date of Patent:** **** May 25, 2021**

(54) **CAMERA**

- (71) Applicant: **SKYBELL TECHNOLOGIES IP, LLC**, Irvine, CA (US)
- (72) Inventors: **Joseph Frank Scalisi**, Yorba Linda, CA (US); **Joon Sung**, Riverside, CA (US)
- (73) Assignee: **SKYBELL TECHNOLOGIES IP, LLC**, Irvine, CA (US)
- (**) Term: **15 Years**
- (21) Appl. No.: **29/772,050**
- (22) Filed: **Feb. 26, 2021**

Related U.S. Application Data

- (62) Division of application No. 29/719,485, filed on Jan. 5, 2020.
- (51) **LOC (13) Cl.** **16-01**
- (52) **U.S. Cl.**
USPC **D16/203; D16/202**
- (58) **Field of Classification Search**
USPC D16/200, 202–208, 218, 219; 348/143, 348/148, 151, 373–376; 396/419, 427, 396/535, 539–541
CPC G03B 17/02; G03B 19/04; G03B 17/56; G03B 17/04; G03B 15/03; H04N 5/2251; H04N 5/2252; H04N 5/2253; H04N 5/2254; H04N 7/181; H04N 7/183; H04N 7/18; G08B 13/1963; G08B 13/19619; G08B 13/19632
See application file for complete search history.

(56) **References Cited**

U.S. PATENT DOCUMENTS

- 1,230,643 A 6/1917 Anderson
 - D172,092 S 11/1953 Grohsgal
- (Continued)

OTHER PUBLICATIONS

Feel the Nature; Modern Push Button Light Switch; Downloaded Jun. 13, 2018 from <URL: <http://feelthenature.info/modem-push-button-light-switch/>>; Prior art publication at least as of Apr. 1, 2018.

(Continued)

Primary Examiner — Ramzi S Almatrahi
(74) *Attorney, Agent, or Firm* — Wesley E. Schwie, Esq.; Gallium Law, LLC

(57) **CLAIM**

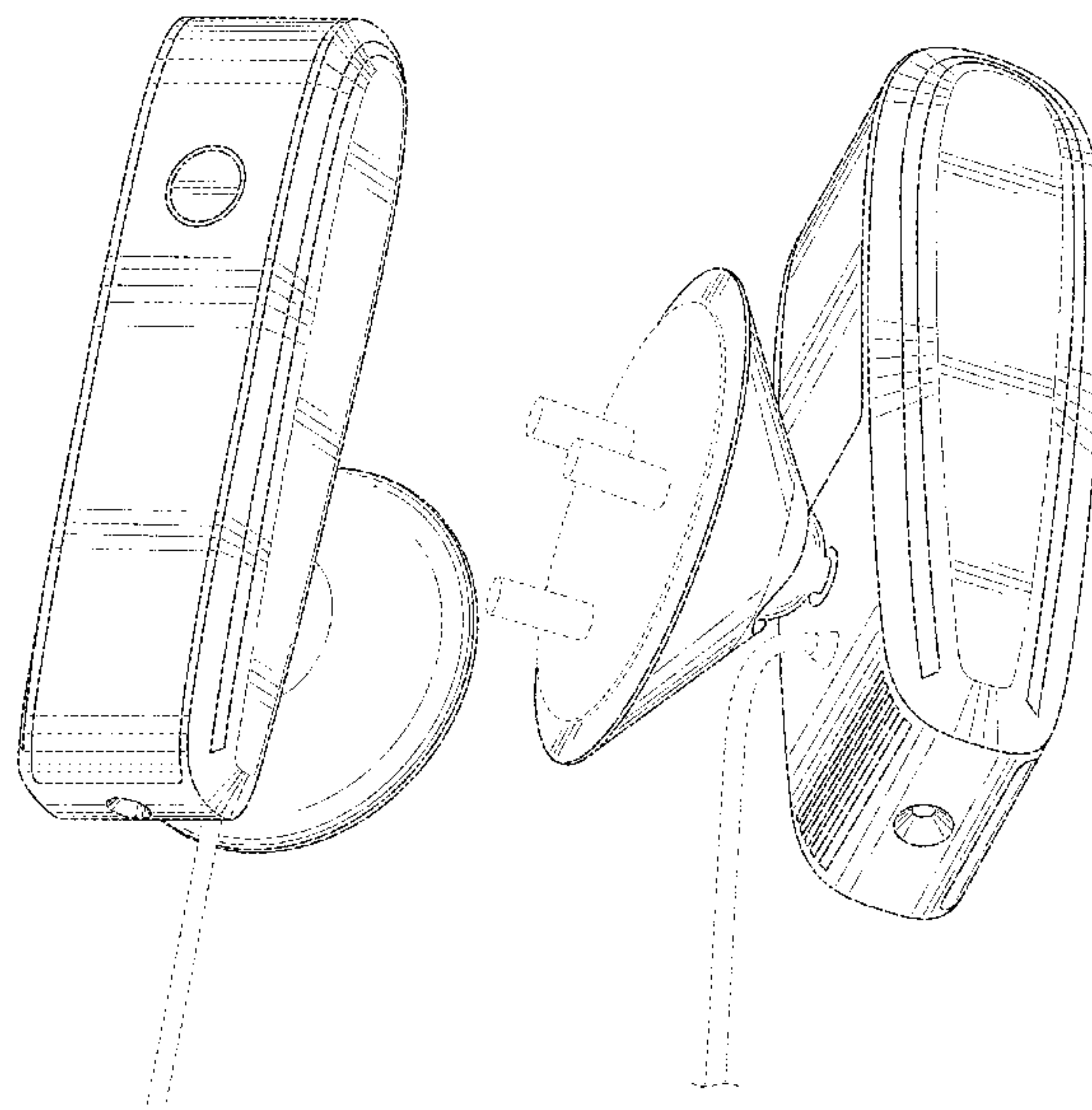
The ornamental design for a camera, as shown and described.

DESCRIPTION

FIG. 1 is a bottom, front and first side perspective view of a camera showing our new design;
 FIG. 2 is a top, front and first side perspective view thereof;
 FIG. 3 is a bottom, back and second side perspective view thereof;
 FIG. 4 is a front view thereof;
 FIG. 5 is a second side view thereof;
 FIG. 6 is a top view thereof;
 FIG. 7 is a top, front and first side perspective view thereof, shown in condition of use with a substrate disclosed in broken lines to illustrate an environment;
 FIG. 8 is a front and first side perspective view thereof;
 FIG. 9 is a front view thereof;
 FIG. 10 is a first side view thereof;
 FIG. 11 is an exploded top view thereof; and,
 FIG. 12 is an exploded first side view thereof.

The broken lines depict portions of the camera in which the design is embodied that form no part of the claimed design. The broken lines showing a substrate in FIGS. 7-10 represent environmental structure and form no part of the claimed design.

1 Claim, 12 Drawing Sheets



(56)

References Cited

U.S. PATENT DOCUMENTS

D179,803 S 3/1957 Gillette
 D196,949 S 11/1963 Weinstock
 4,172,967 A 10/1979 Porter
 D283,130 S 3/1986 Boenning
 D305,019 S 12/1989 Pena
 D318,632 S 7/1991 Polacek
 5,148,468 A 9/1992 Marrick
 D335,283 S 5/1993 Justiniano
 D344,036 S 2/1994 Yuen
 D366,262 S 1/1996 Inaba
 D381,638 S 7/1997 Kruse
 D392,907 S 3/1998 Buckley
 D392,576 S 5/1998 Pun
 D405,021 S 2/1999 Stelle
 D418,770 S 1/2000 Ragan
 D465,532 S 11/2002 Hussaini
 D489,323 S 5/2004 Yoshida
 D500,751 S 1/2005 Yukikado
 7,015,943 B2 3/2006 Chiang
 D519,100 S 4/2006 Shioya
 D522,490 S 6/2006 Yukikado
 D525,963 S 8/2006 Yukikado
 7,113,578 B2 9/2006 Unger
 D531,160 S 10/2006 Yukikado
 D534,938 S * 1/2007 Beasley D14/130
 D562,306 S 2/2008 Jeong
 D574,742 S 8/2008 Spencer
 D575,316 S 8/2008 Liu
 D588,069 S 3/2009 Cummings
 D588,574 S 3/2009 Takahata
 D592,611 S 5/2009 Altonen
 D595,240 S 6/2009 Busbridge
 D595,260 S 6/2009 Takahata
 D605,542 S 12/2009 Ho
 D619,157 S 7/2010 Kim
 D621,795 S 8/2010 Leung
 D623,605 S 9/2010 Flowers
 7,826,729 B2 11/2010 Cullen
 D633,930 S 3/2011 Dinger
 D635,102 S 3/2011 Tsui
 D636,286 S 4/2011 Khor
 D645,001 S 9/2011 Margolin
 D647,946 S 11/2011 Raken
 D658,591 S 5/2012 Margolin
 D660,819 S 5/2012 Chen
 D666,995 S 9/2012 Termeer
 D707,147 S 6/2014 Crippa
 D710,727 S 8/2014 Siminoff
 D710,728 S 8/2014 Siminoff
 8,834,044 B2 9/2014 Uehara
 D728,509 S 5/2015 Hinkel
 D728,655 S 5/2015 Yang
 D732,547 S 6/2015 McClelland
 D736,717 S 8/2015 Duffy
 9,113,051 B1 8/2015 Scalisi
 D741,866 S 10/2015 Ballout
 D743,467 S * 11/2015 Bhattacharya D16/214
 D745,080 S 12/2015 Masano
 D746,350 S * 12/2015 Li D16/214
 D747,383 S * 1/2016 Li D16/203
 D747,386 S 1/2016 Li
 9,230,424 B1 1/2016 Scalisi
 D753,664 S 4/2016 McLelland
 D754,231 S 4/2016 Murray
 D764,958 S 8/2016 Scalisi
 D765,530 S 9/2016 Scalisi
 D766,864 S 9/2016 Tani
 D766,865 S 9/2016 Tani
 D776,068 S 1/2017 Maffetone
 D778,195 S 2/2017 Li
 9,584,775 B2 2/2017 Siminoff
 D787,359 S 5/2017 Scalisi
 D788,061 S 5/2017 Siminoff
 D788,834 S 6/2017 Bhattacharya
 D789,820 S 6/2017 Siminoff

D793,268 S 8/2017 Ye
 D795,940 S 8/2017 Huang
 D798,177 S 9/2017 Siminoff
 9,769,435 B2 9/2017 Scalisi
 D800,592 S 10/2017 Jean
 D801,843 S 11/2017 Siminoff
 D802,463 S 11/2017 Siminoff
 D802,644 S 11/2017 Lee
 D805,941 S 12/2017 Jou
 D806,773 S 1/2018 Wieser
 D806,774 S 1/2018 Ahman
 D813,700 S 3/2018 Scalisi
 D813,701 S 3/2018 Scalisi
 D816,528 S 5/2018 Wen
 D817,207 S 5/2018 Scalisi
 D817,208 S 5/2018 Ravat
 D818,514 S 5/2018 Ahman
 D820,136 S 6/2018 Scalisi
 D822,519 S 7/2018 Siminoff
 D825,639 S * 8/2018 Kan D16/203
 10,041,639 B1 8/2018 Thompson
 D828,201 S * 9/2018 Jeong D10/118.2
 D830,872 S 10/2018 Jacob
 D833,504 S * 11/2018 Leiponis D16/214
 D840,368 S * 2/2019 Deng D14/159
 D840,856 S 2/2019 Scalisi
 D840,857 S 2/2019 Scalisi
 D842,244 S 3/2019 Li
 D844,560 S 4/2019 Miller
 D848,891 S 5/2019 Paredes
 D849,082 S 5/2019 Boling
 D849,095 S * 5/2019 Puric D16/203
 D850,314 S 6/2019 Laurans
 D850,315 S 6/2019 Laurans
 D853,264 S 7/2019 Laurans
 D858,338 S 9/2019 Yu
 D860,848 S 9/2019 Park
 D872,790 S * 1/2020 Hasegawa D16/202
 D877,227 S * 3/2020 Seflic D16/202
 D887,477 S * 6/2020 Vega D16/214
 D889,301 S 7/2020 Siminoff
 2004/0124978 A1 7/2004 Chen
 2008/0036862 A1 2/2008 Lang
 2013/0045763 A1 2/2013 Ruiz
 2013/0335568 A1 12/2013 Tang
 2014/0125754 A1 5/2014 Haywood
 2014/0301729 A1 10/2014 Okamura
 2015/0022618 A1 1/2015 Siminoff
 2015/0049191 A1 2/2015 Scalisi
 2015/0228167 A1 8/2015 Scalisi
 2015/0358515 A1 12/2015 Resnick
 2016/0191864 A1 6/2016 Siminoff
 2016/0284170 A1 9/2016 Kasmir
 2016/0300476 A1 10/2016 Kasmir
 2017/0048495 A1 2/2017 Scalisi
 2017/0084131 A1 3/2017 Harrison
 2017/0084132 A1 3/2017 Scalisi
 2017/0192343 A1 * 7/2017 Leiponis G03B 17/561
 2017/0280109 A1 9/2017 Scalisi
 2017/0339262 A1 11/2017 Scalisi
 2017/0373876 A1 12/2017 Scalisi
 2017/0373877 A1 12/2017 Scalisi
 2018/0069722 A1 3/2018 Scalisi

OTHER PUBLICATIONS

Forbes; The Invisible Light Switch; Downloaded Jun. 13, 2018 from <URL: <https://web.archive.org/web/20130404165907/https://www.forbesandlomag.com/the-invisible-lightswitch.html>>; Prior art publication at least as of Apr. 4, 2013.
 Amazon; Wireless Doorbell and Wireless Intercom Doorbell; Downloaded Jun. 13, 2018 from <URL: <https://www.amazon.com/Wireless-Doorbell-Intercom-Operating-Napok/dp/B071FR8J41>>; Prior art publication at least as of Jun. 1, 2017.
 Etsy; 2 Vintage Intercom Push Button Boxes Desktop Bakelite 1872 Edwards; Downloaded Jun. 13, 2018 from <URL: <https://www.etsy.com/listing/599141432/2-vintage-intercom-push-button-boxes>>; Prior art publication at least as of May 30, 2018.

(56)

References Cited

OTHER PUBLICATIONS

Home Depot; Nest Wired Hello Door Bell Push Button, White; Downloaded Jun. 13, 2018 from <URL: <https://www.homedepot.com/p/Nest-Wired-Hello-Door-Bell-Push-Button-White-NC5100US/302997805>>; Prior art publication at least as of May 30, 2018.

Toms Guide; Best Video Doorbells of 2018; Downloaded Jun. 13, 2018 from <URL: <https://www.tomsguide.com/us/best-video-doorbells,review-4468.html>>; Prior art publication at least as of May 18, 2018.

Youtube; Wi-Fi Video Door Intercom + Door Bell — CVAEQ-J118; Downloaded Jun. 13, 2018 from <URL: https://www.youtube.com/watch?v=CFcaYI_K19E>; Prior art publication at least as of Jun. 27, 2015.

Blink for Home; Blink XT Add on Camera — Refurbished; Downloaded Jun. 13, 2018 from <URL: <https://blinkforhome.com/products/blinkxt-refurbished>>; Prior art publication at least as of May 30, 2018.

* cited by examiner

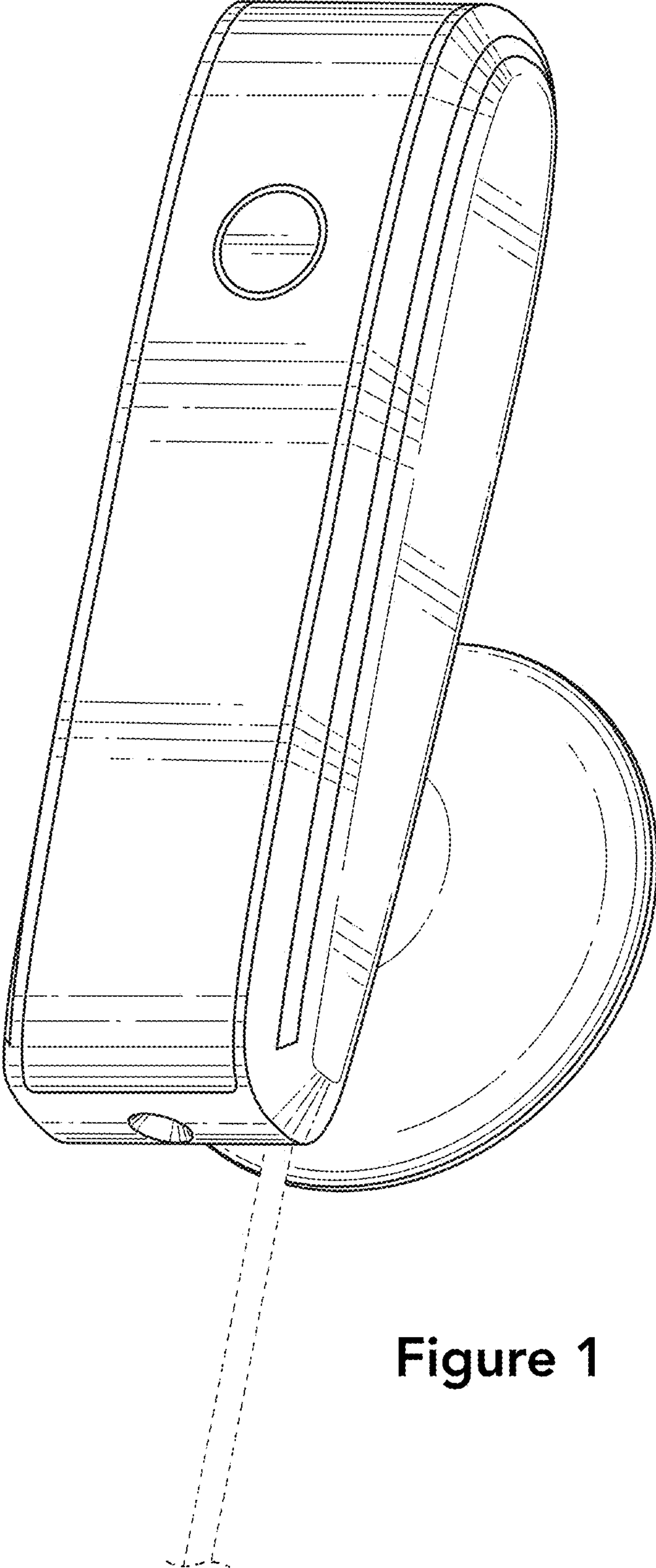


Figure 1

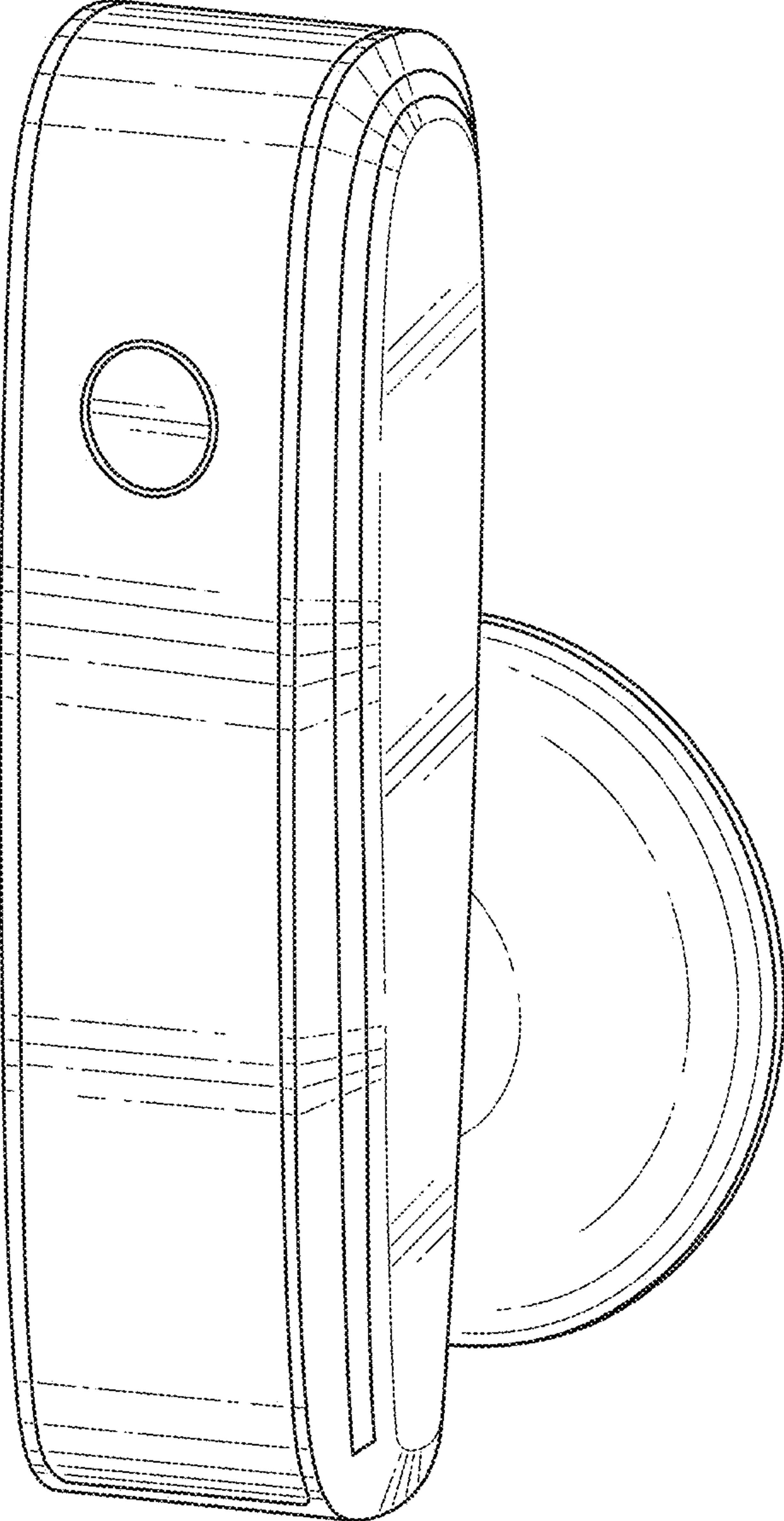


Figure 2

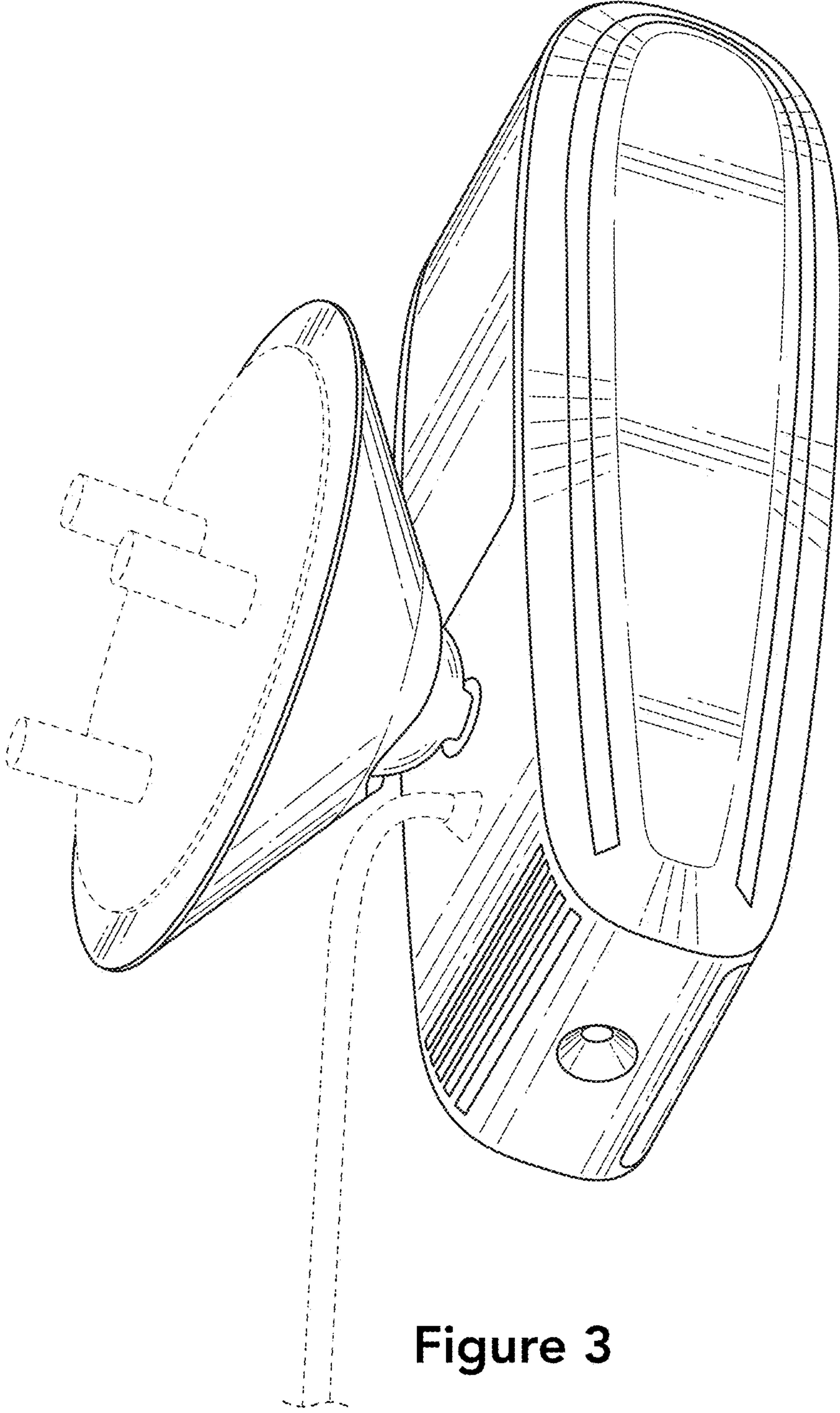


Figure 3

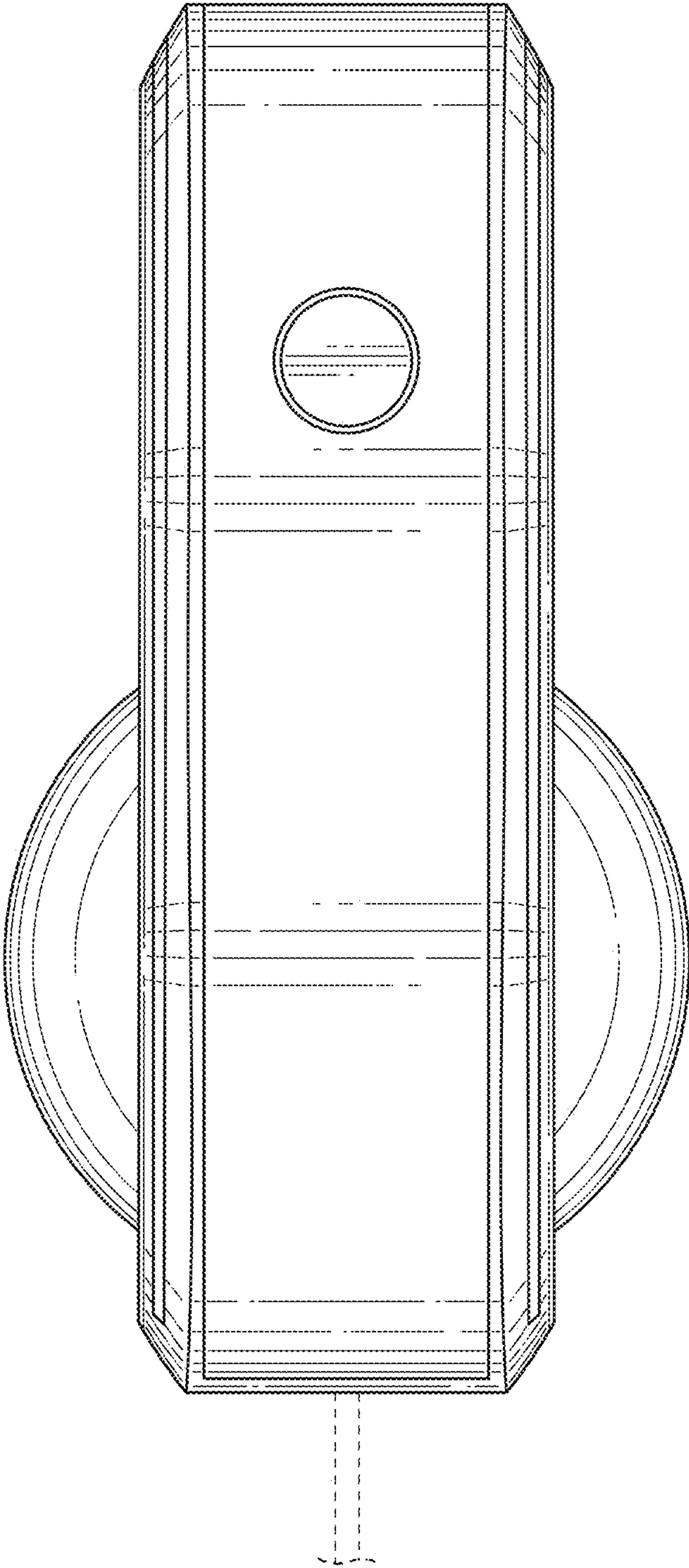


Figure 4

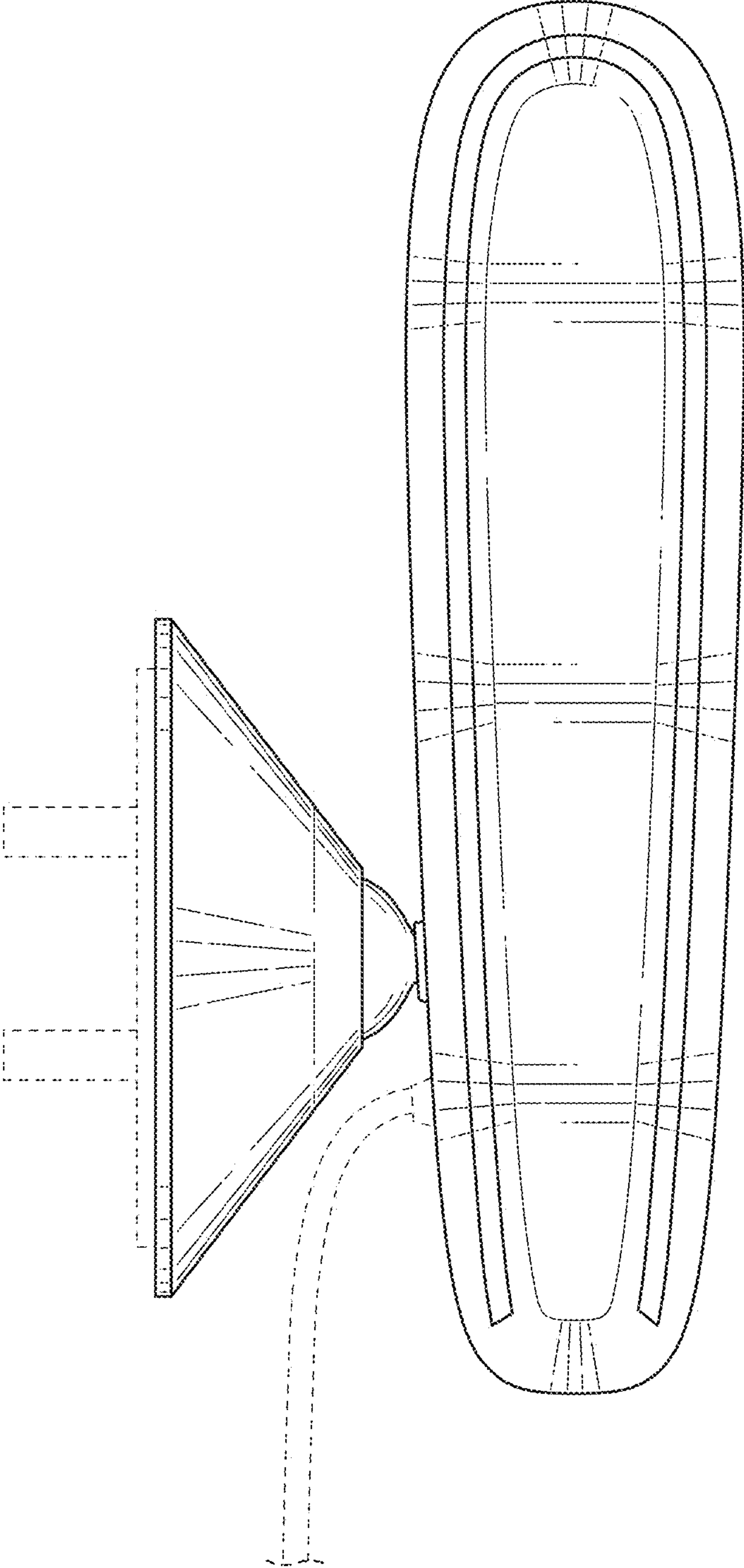


Figure 5

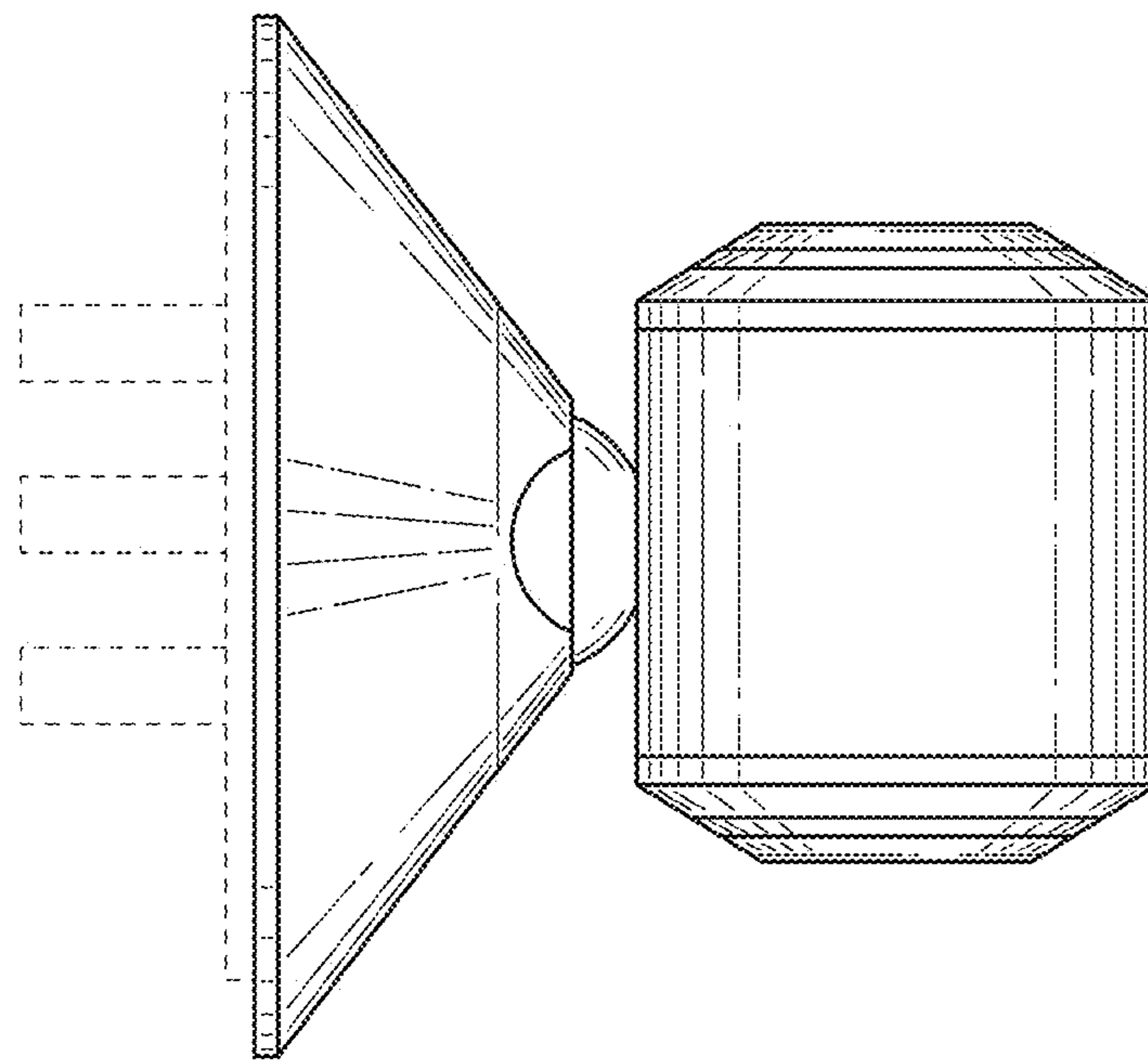


Figure 6

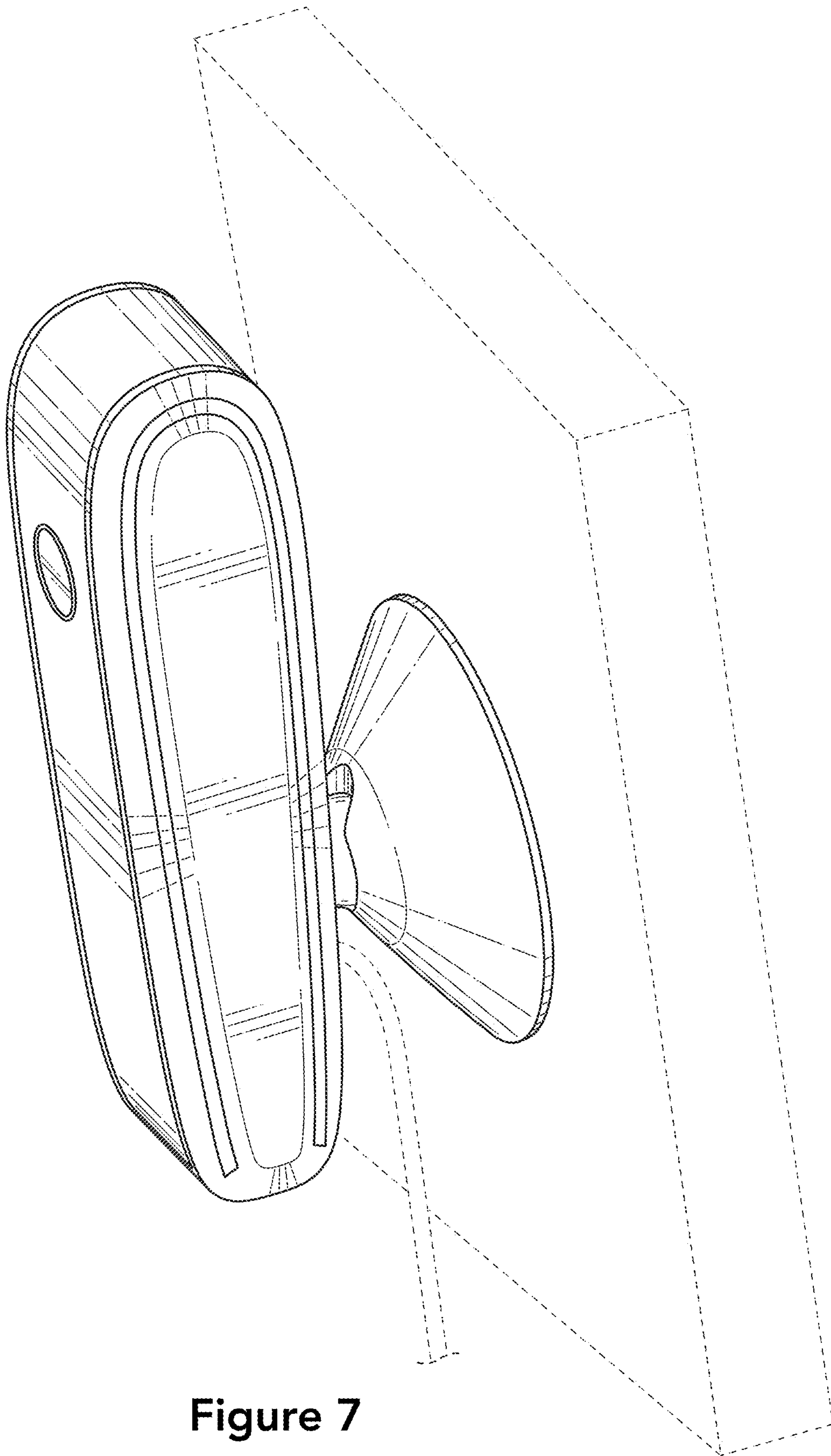


Figure 7

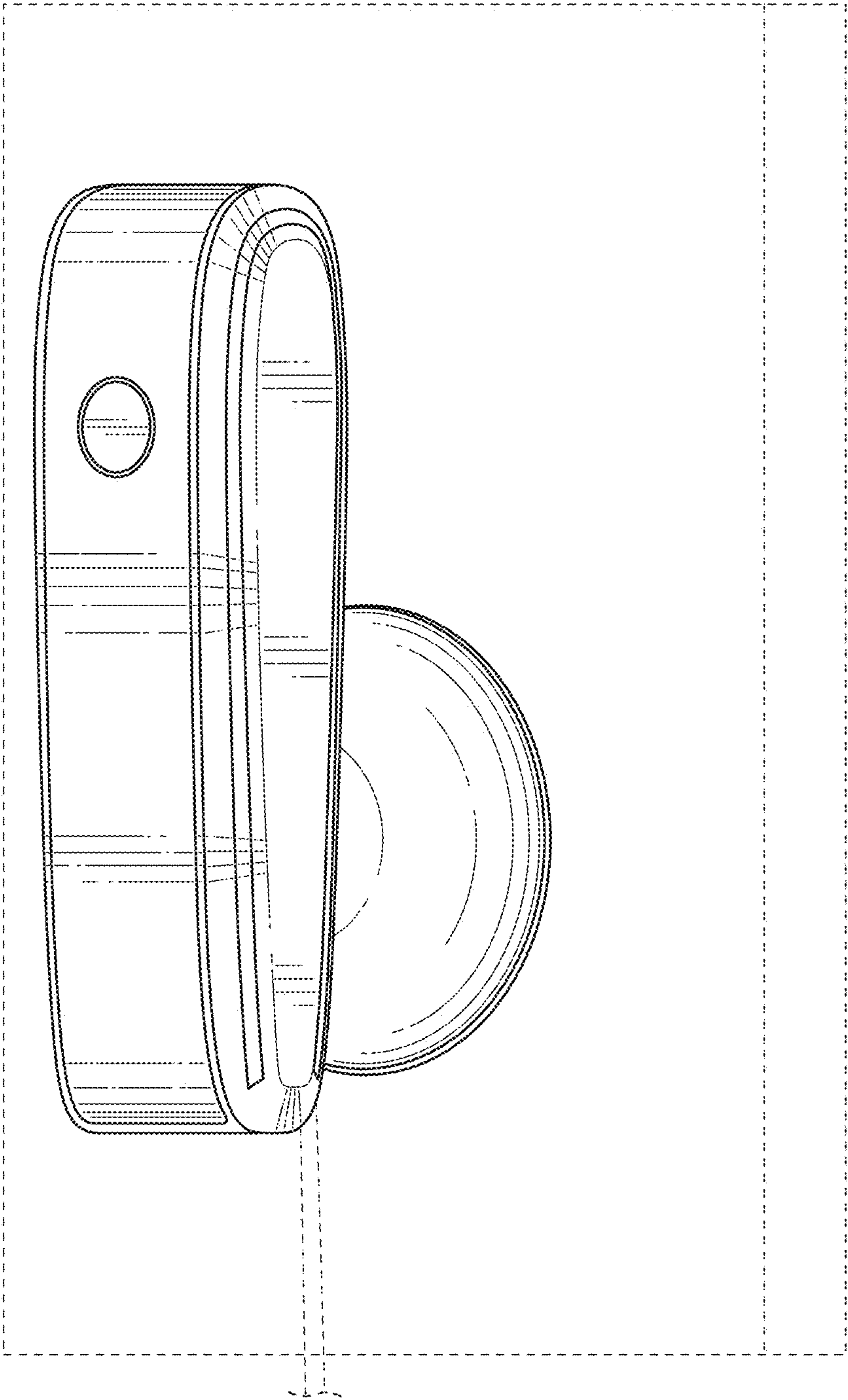


Figure 8

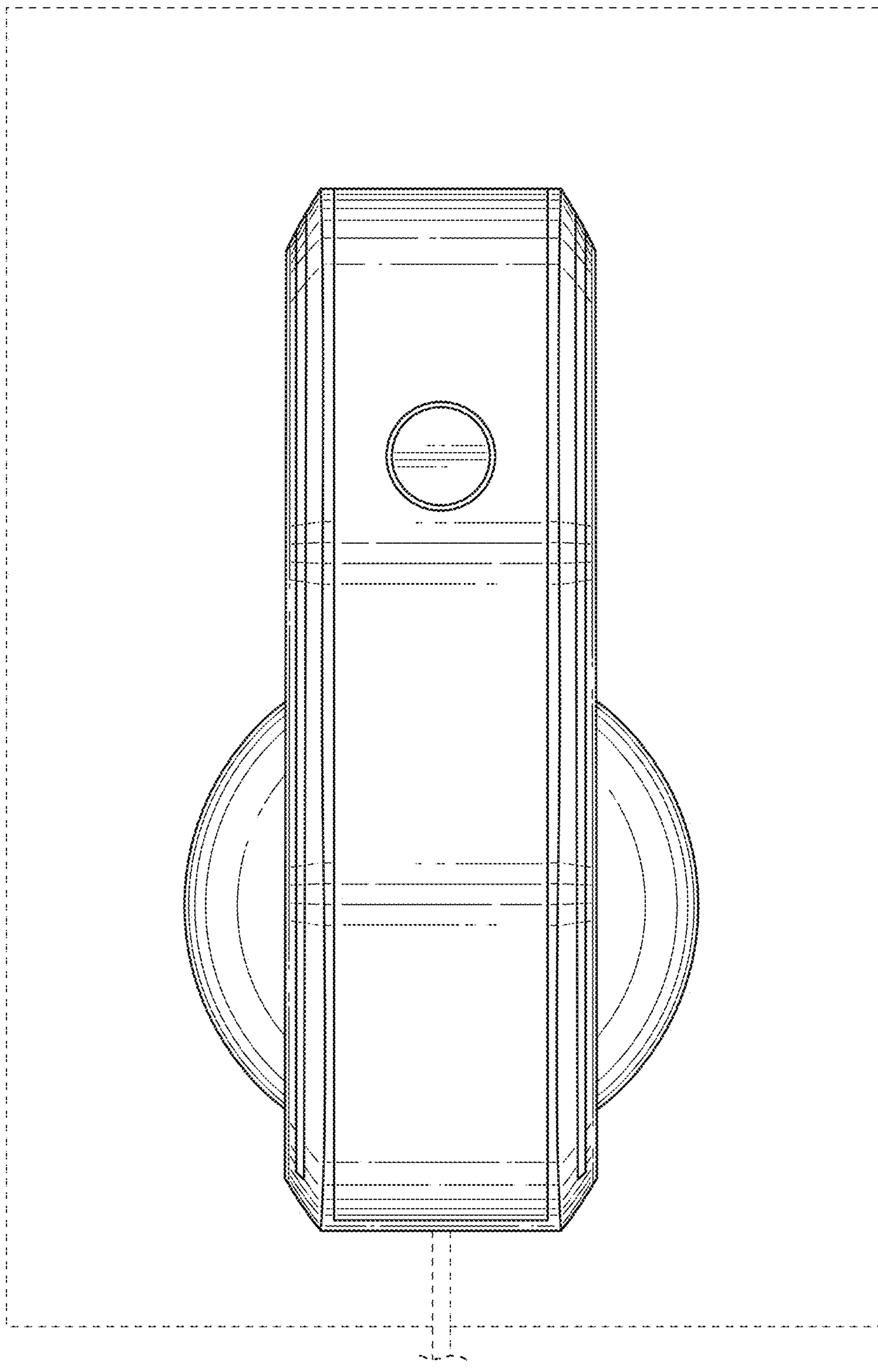


Figure 9

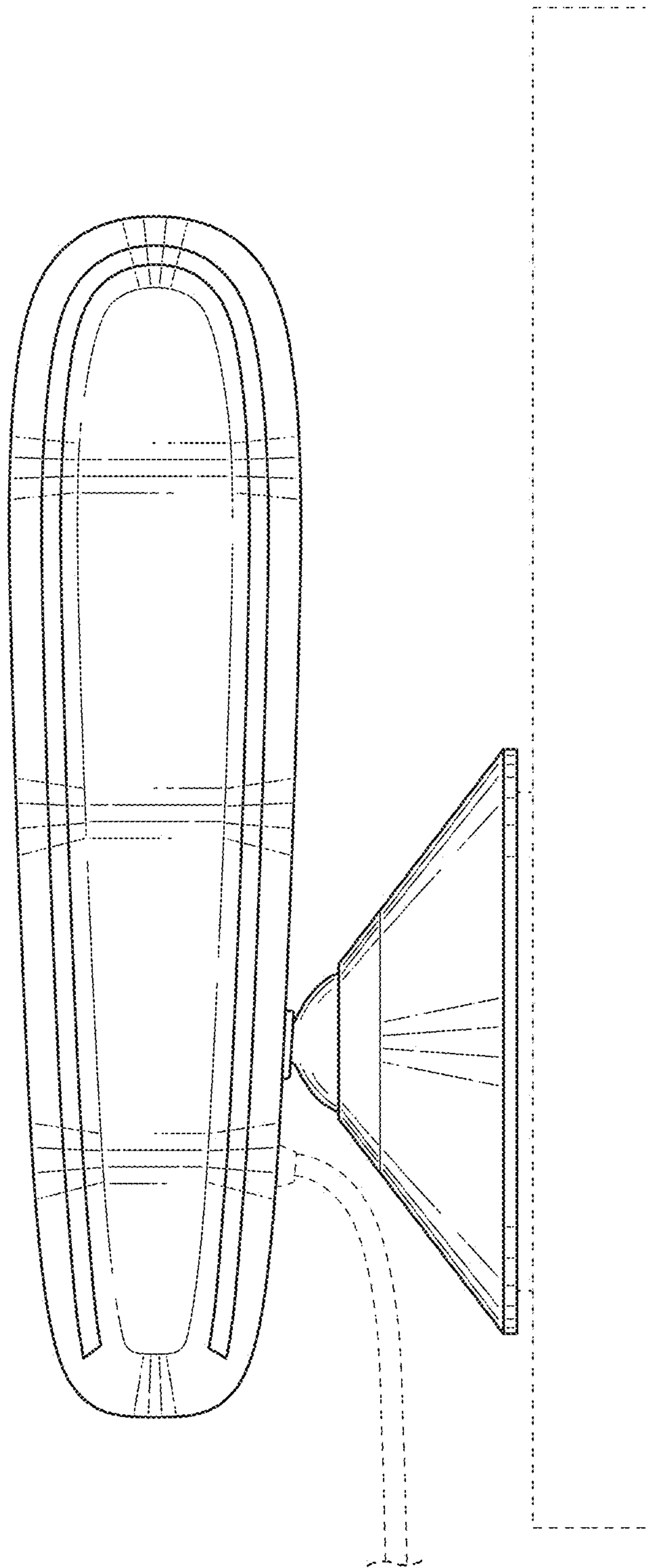


Figure 10

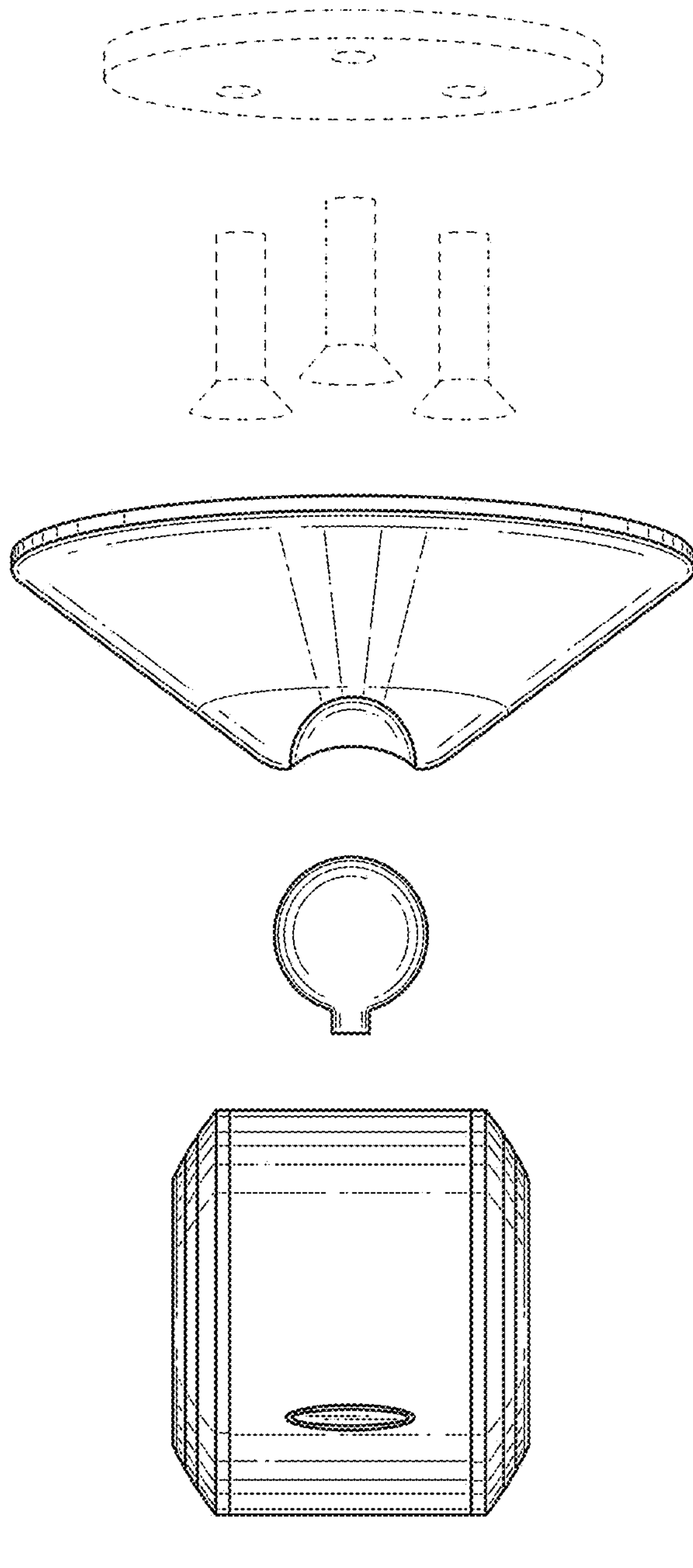


Figure 11

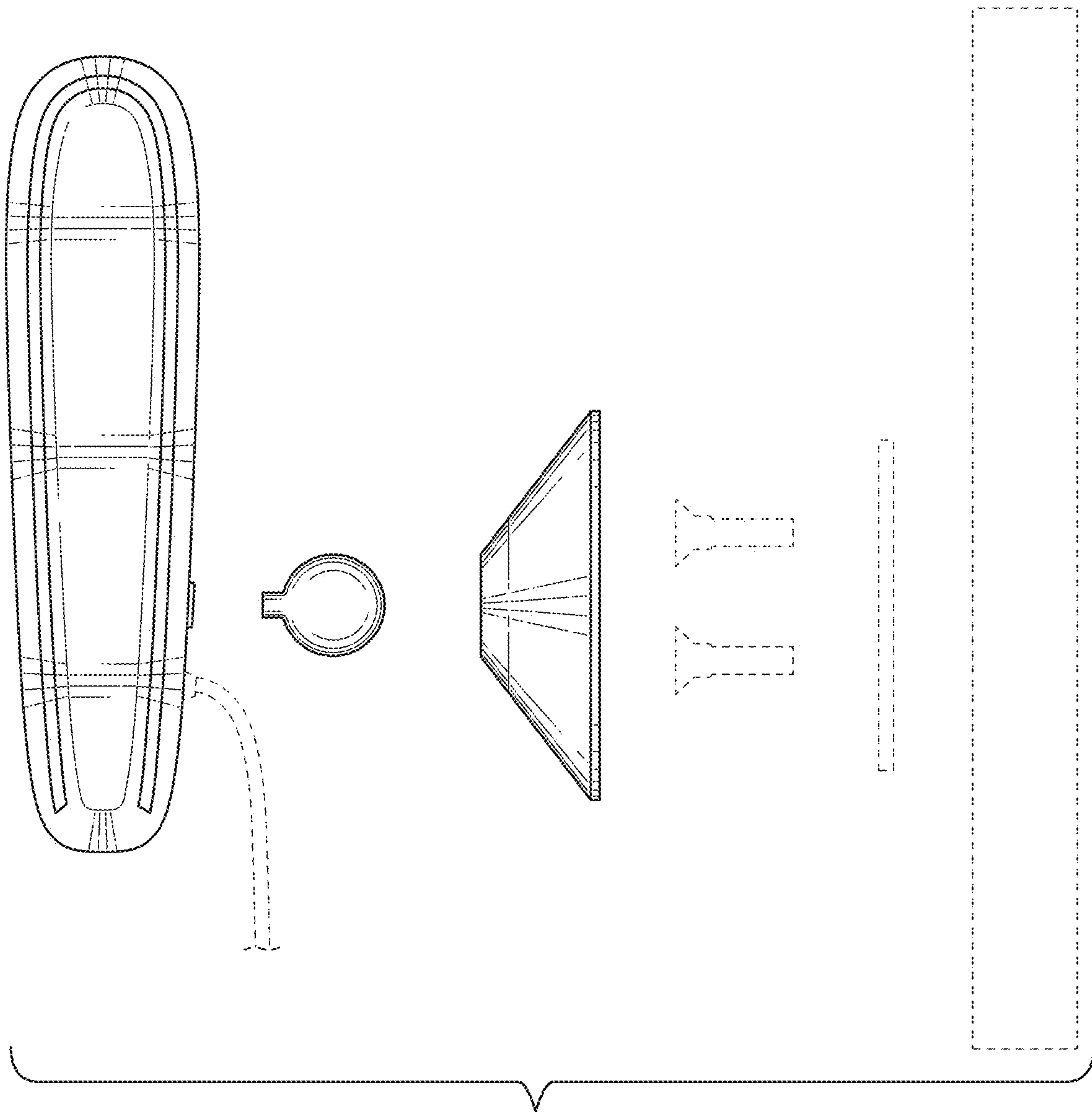


Figure 12