



US00D920416S

(12) **United States Design Patent**
Jiang

(10) **Patent No.:** **US D920,416 S**

(45) **Date of Patent:** **** May 25, 2021**

(54) **TRAIL CAMERA**

(71) Applicant: **SHENZHEN ZHUOPU DIGITAL TECHNOLOGY CO., LTD.**, Shenzhen (CN)

(72) Inventor: **Qingwen Jiang**, Shenzhen (CN)

(73) Assignee: **SHENZHEN ZHUOPU DIGITAL TECHNOLOGY CO., LTD.**, Shenzhen (CN)

(**) Term: **15 Years**

(21) Appl. No.: **29/763,754**

(22) Filed: **Dec. 23, 2020**

(51) **LOC (13) Cl.** **16-01**

(52) **U.S. Cl.**
USPC **D16/203**

(58) **Field of Classification Search**
USPC D16/200, 202–206, 218, 219, 242;
348/143, 148, 151, 155, 164, 373–376;
396/419, 427, 535, 539–541

CPC G03B 17/02; G03B 19/04; G03B 17/56;
G03B 17/04; G03B 15/03; H04N 5/2251;
H04N 5/2252; H04N 5/2253; H04N
5/2254; H04N 7/181; H04N 7/183; H04N
7/18; G08B 13/1963; G08B 13/19619;
G08B 13/19632; G08B 13/19602; G08B
13/19634; F16M 11/04; F16M 13/00

See application file for complete search history.

(56) **References Cited**

U.S. PATENT DOCUMENTS

7,534,056 B2 * 5/2009 Cross F16M 11/10
348/143
D833,506 S * 11/2018 Chen D16/218

D865,023 S * 10/2019 Chen D16/203
D872,791 S * 1/2020 Chen D16/203
D874,537 S * 2/2020 Ye D16/203
D874,546 S * 2/2020 Yu D16/218
D875,162 S * 2/2020 Yu D16/218
D875,807 S 2/2020 Luo
D880,555 S * 4/2020 Yu D16/203
D883,358 S * 5/2020 Ren D16/203
D883,359 S * 5/2020 Ren D16/203
D883,360 S * 5/2020 Ren D16/203
D883,361 S * 5/2020 Ren D16/203
D884,049 S 5/2020 Wang
D894,252 S * 8/2020 Han D16/203

* cited by examiner

Primary Examiner — Ramzi S Almatrahi

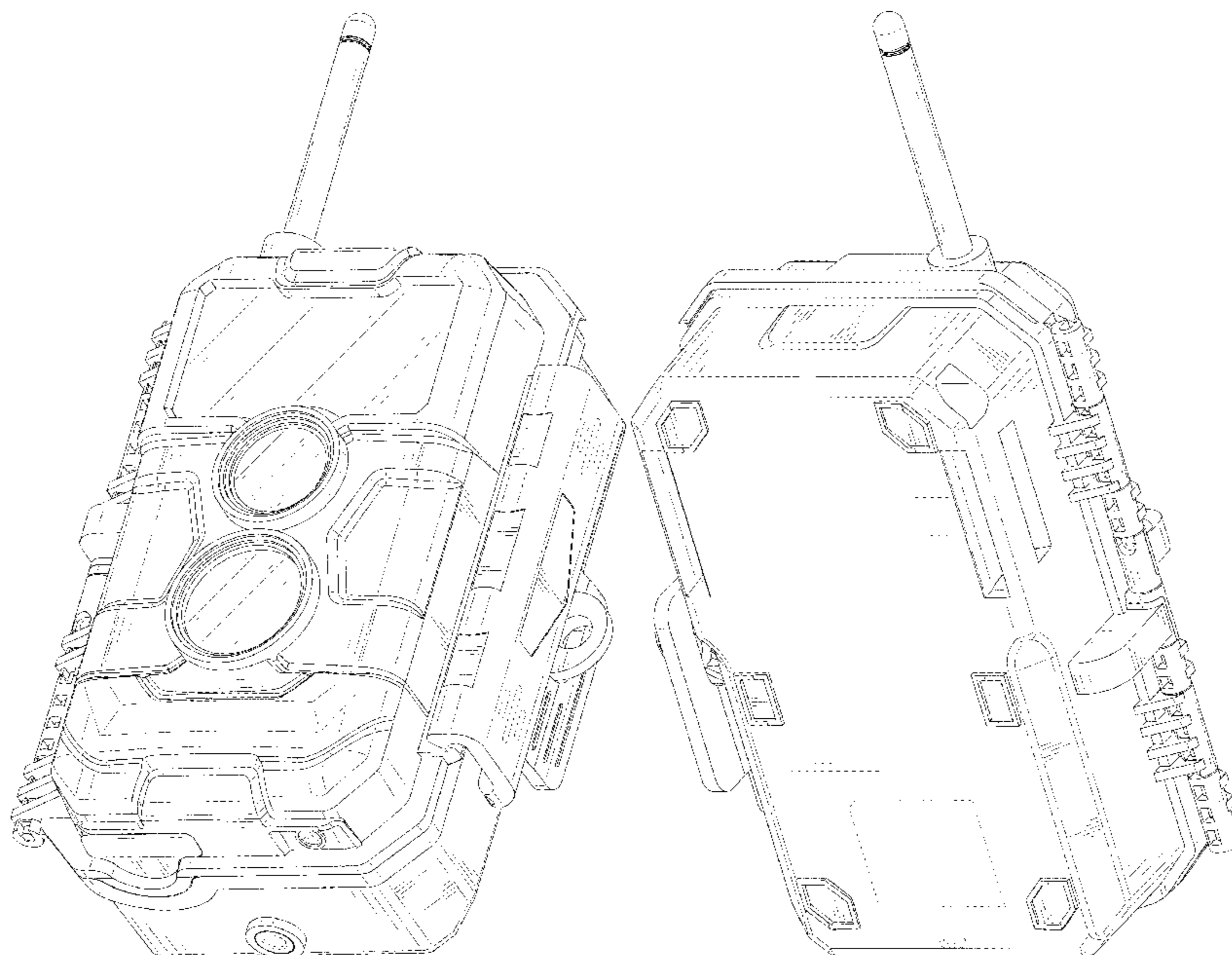
(57) **CLAIM**

The ornamental design for a trail camera, as shown and described.

DESCRIPTION

FIG. 1 is a bottom, front and right side perspective view of a trail camera showing my new design;
FIG. 2 is a top, rear and left side perspective view thereof;
FIG. 3 is a front elevational view thereof;
FIG. 4 is a rear elevational view thereof;
FIG. 5 is a left side elevational view thereof;
FIG. 6 is a right side elevational view thereof;
FIG. 7 is a top plan view thereof; and,
FIG. 8 is a bottom plan view thereof.
The broken lines in the drawings depict portions of the trail camera that form no part of the claimed design.

1 Claim, 8 Drawing Sheets



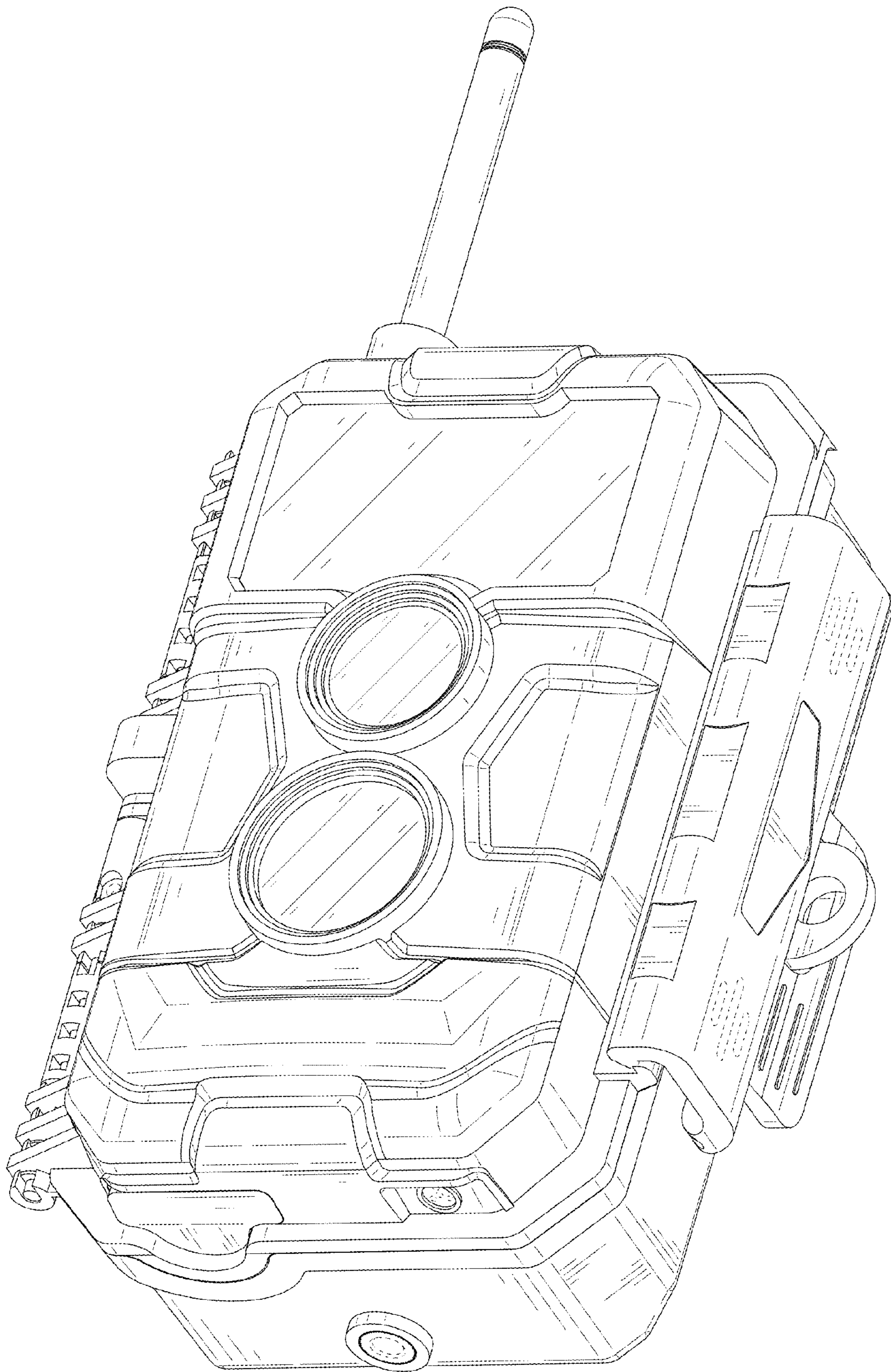


FIG. 1

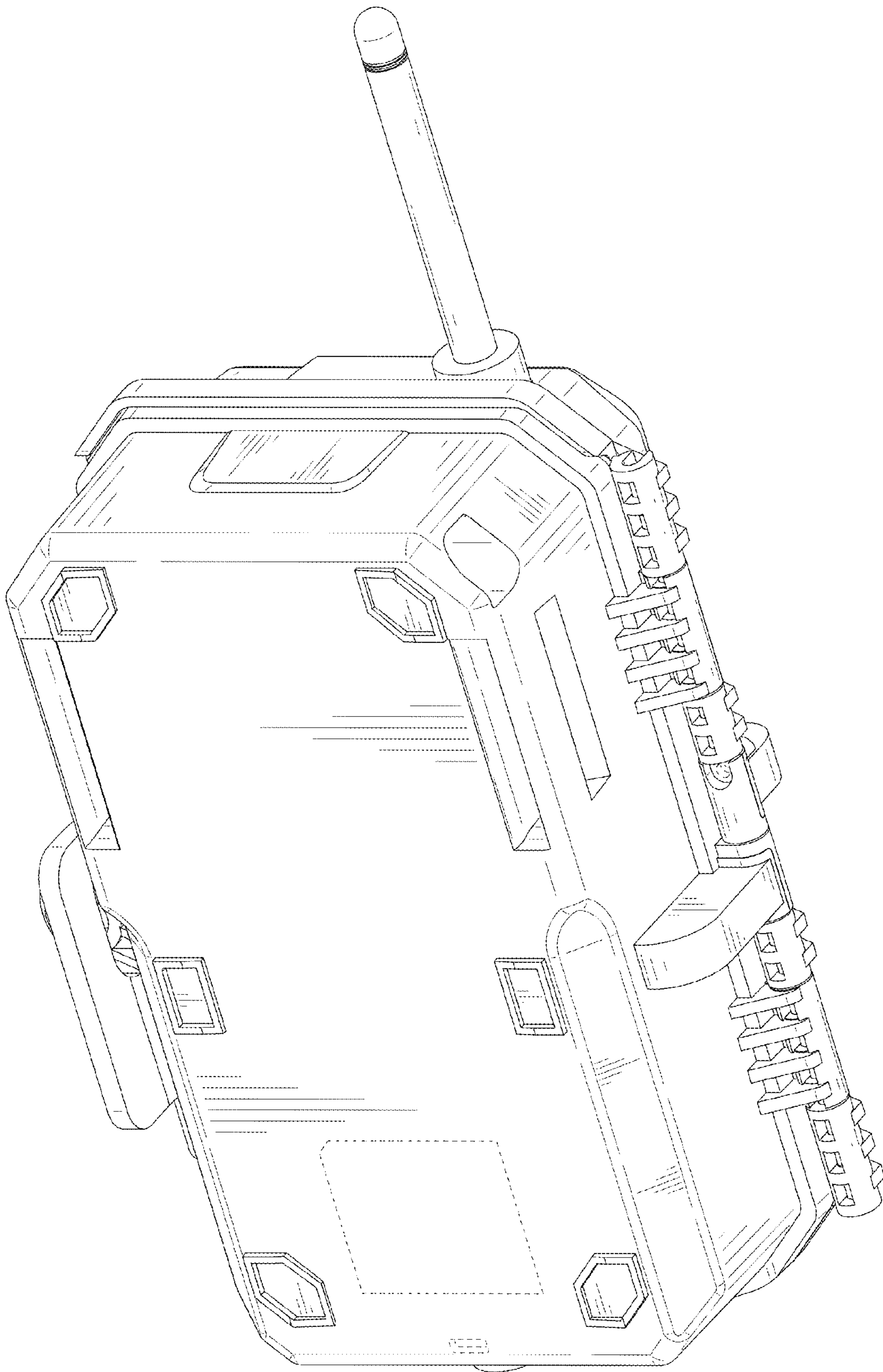


FIG. 2

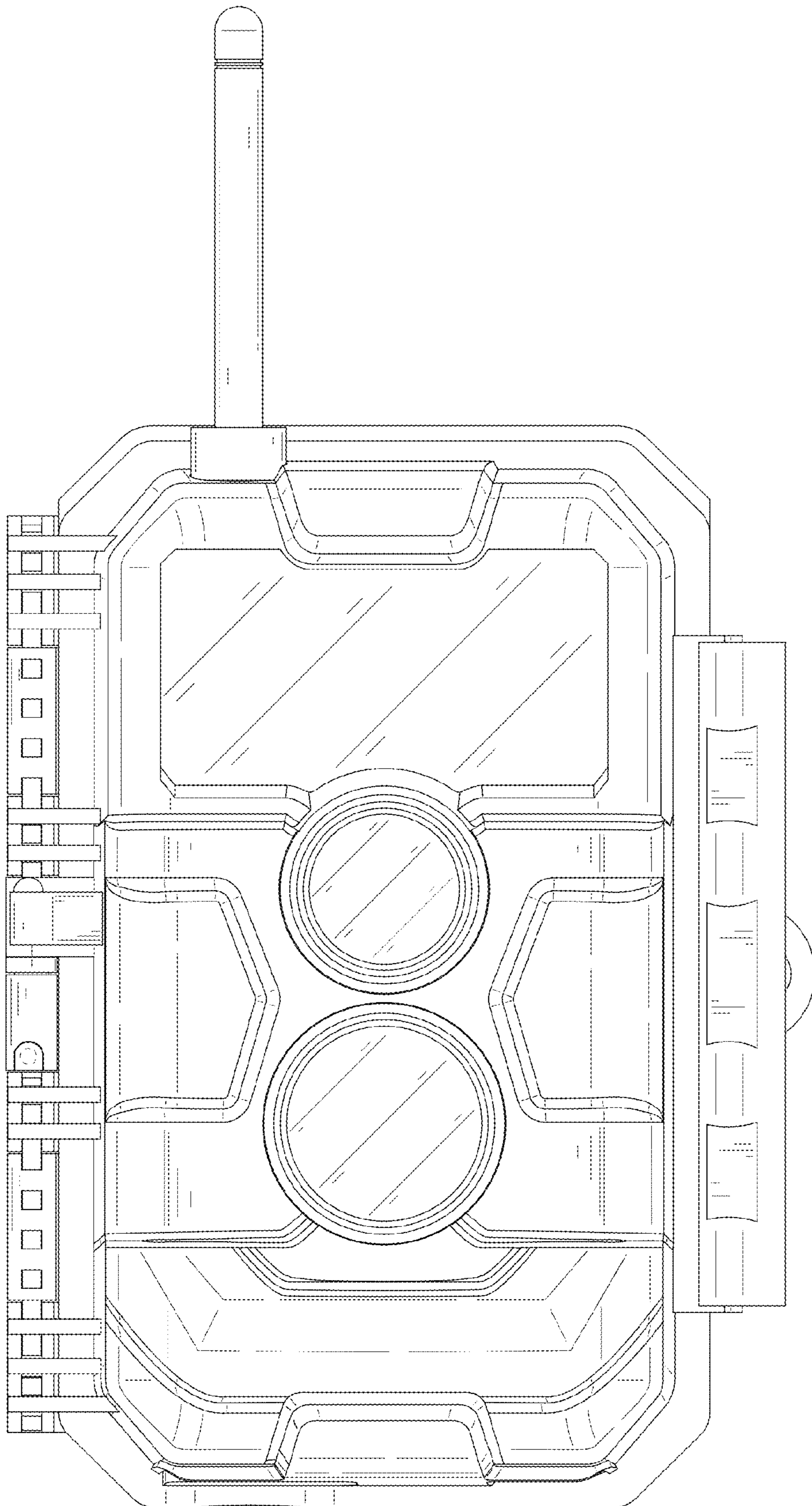


FIG. 3

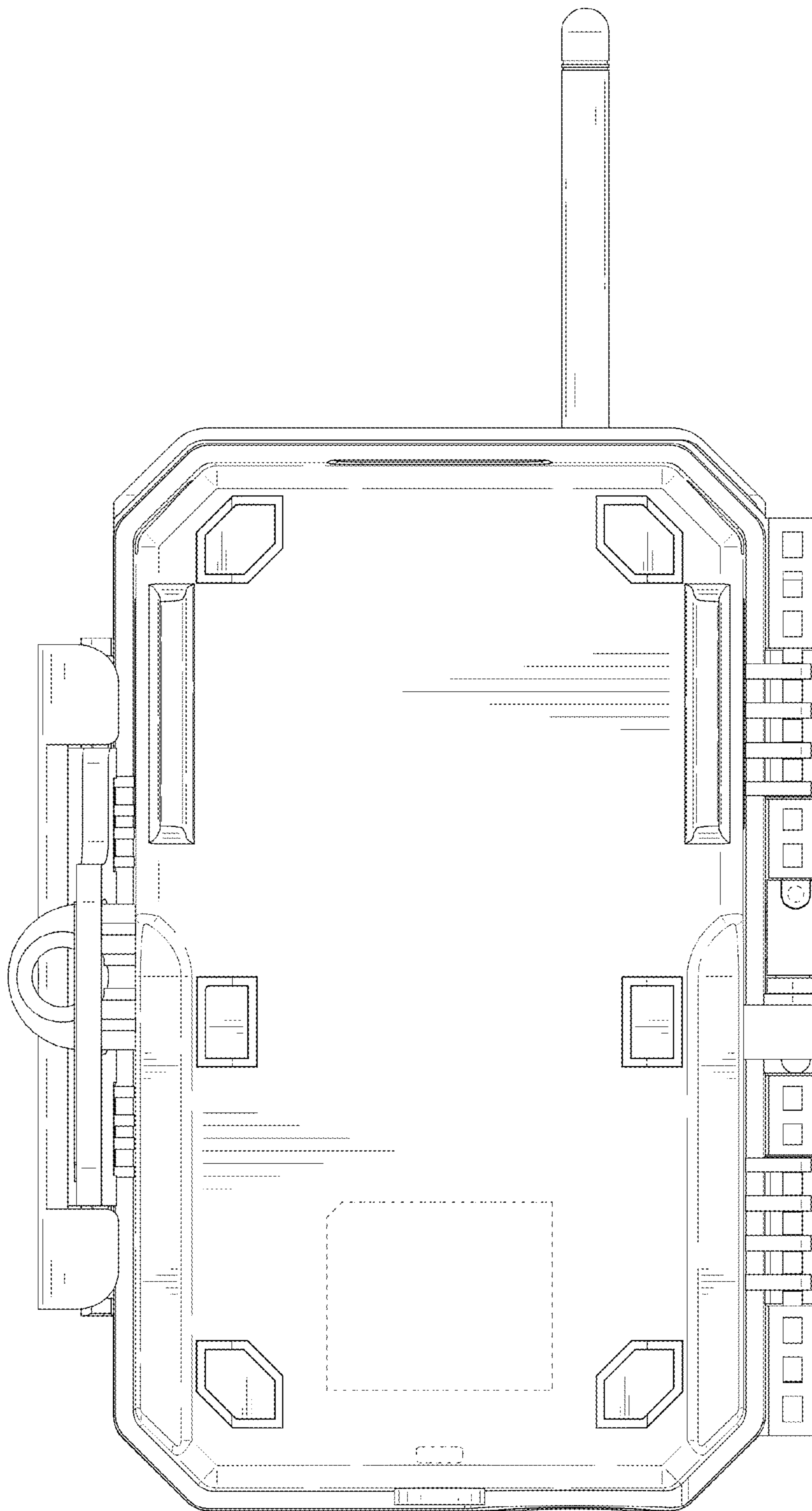


FIG. 4

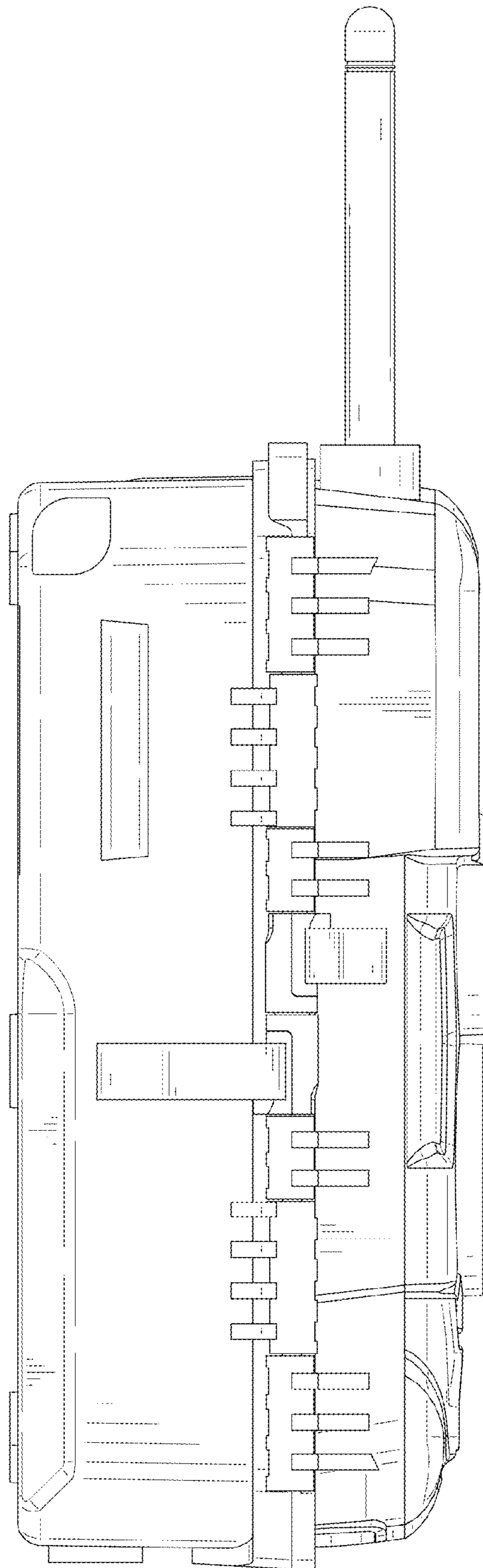


FIG. 5

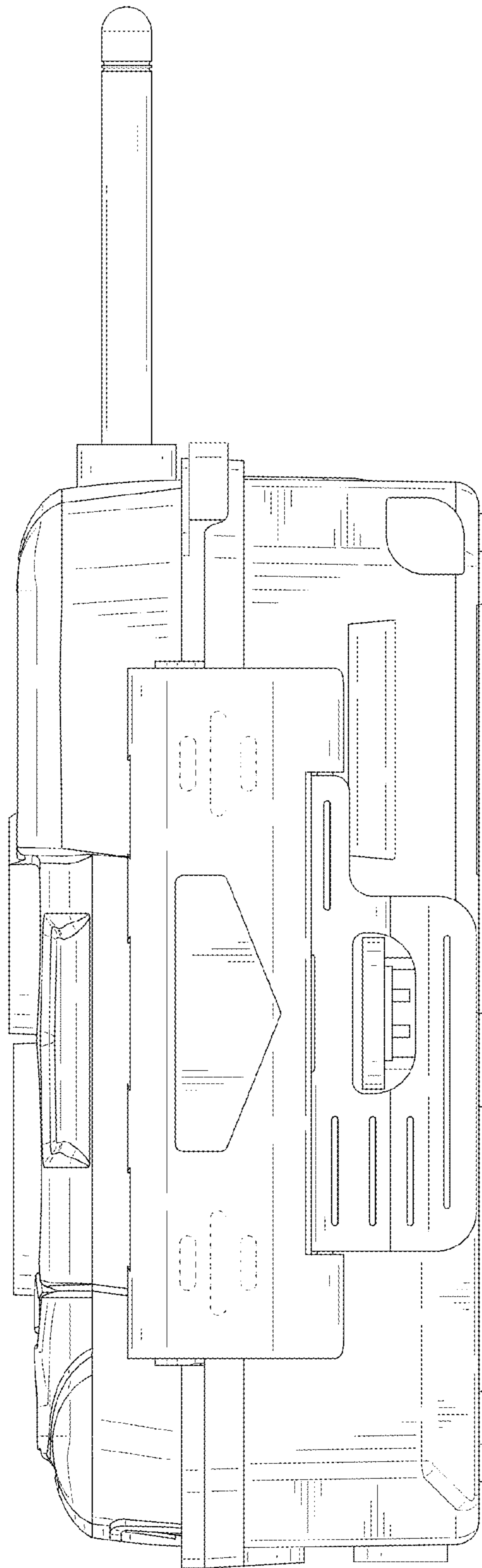


FIG. 6

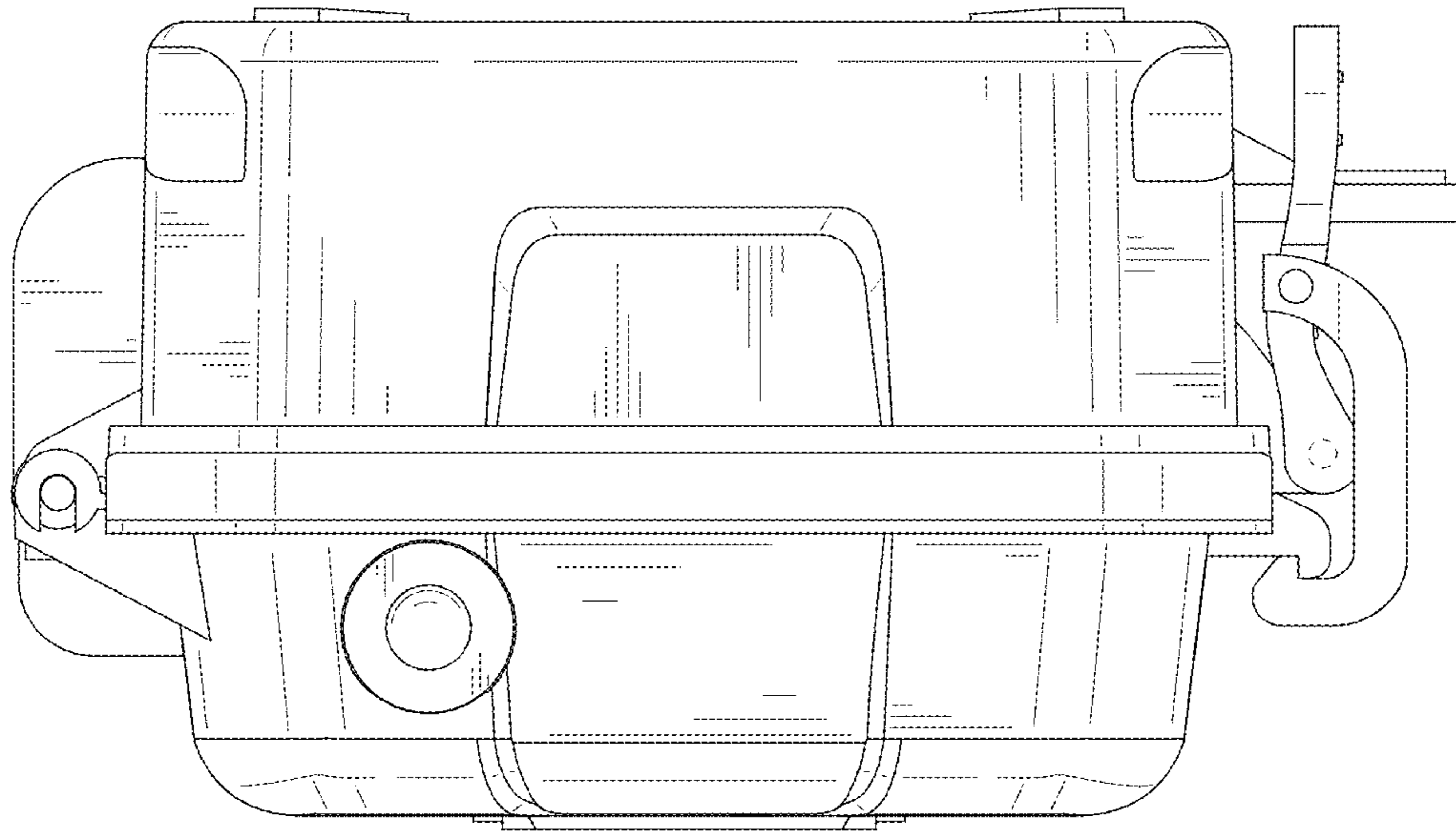


FIG. 7

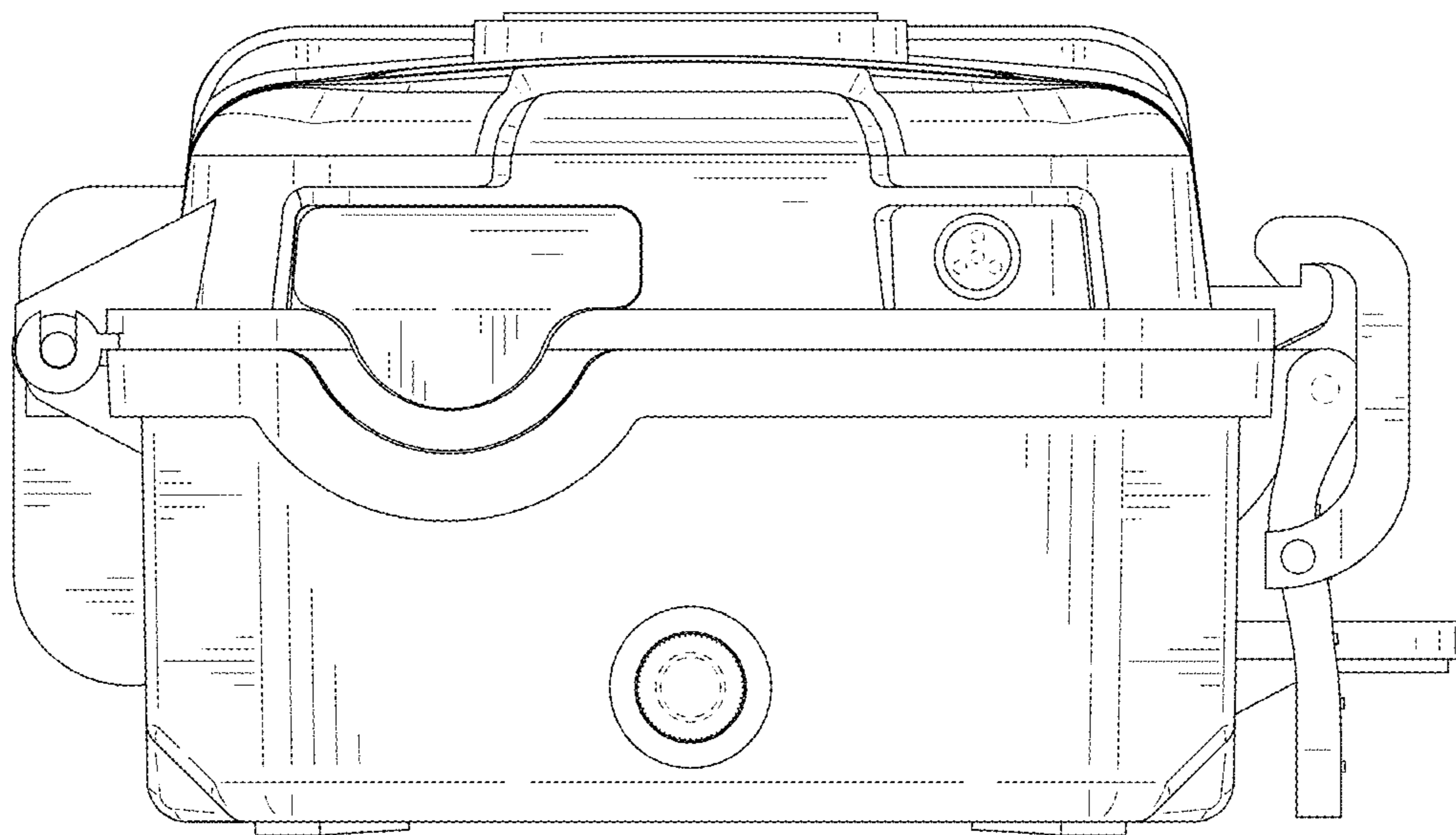


FIG. 8