



US00D920415S

(12) **United States Design Patent** (10) **Patent No.:** **US D920,415 S**  
**Sakai** (45) **Date of Patent:** **\*\* May 25, 2021**

(54) **SURVEILLANCE CAMERA**  
(71) Applicant: **FUJIFILM Corporation**, Tokyo (JP)  
(72) Inventor: **Hiroyuki Sakai**, Saitama (JP)  
(73) Assignee: **FUJIFILM Corporation**, Tokyo (JP)  
(\*\*) Term: **15 Years**  
(21) Appl. No.: **29/761,835**  
(22) Filed: **Dec. 11, 2020**

*Primary Examiner* — Ramzi S Almatrahi  
(74) *Attorney, Agent, or Firm* — Studebaker & Brackett PC

(57) **CLAIM**

The ornamental design for a surveillance camera, as shown and described.

**Related U.S. Application Data**

(62) Division of application No. 29/686,908, filed on Apr. 9, 2019, now Pat. No. Des. 908,159.

**DESCRIPTION**

(30) **Foreign Application Priority Data**

Oct. 15, 2018 (JP) ..... 2018-022556  
(51) **LOC (13) Cl.** ..... **16-01**  
(52) **U.S. Cl.**  
USPC ..... **D16/203**  
(58) **Field of Classification Search**  
USPC ..... D16/200, 202–206, 218, 219, 242;  
348/143, 148, 151, 373–376; 396/419,  
396/427, 535, 539–541

The patent or patent application file contains at least one drawing executed in color. Copies of this patent or patent application publication with color drawing(s) will be provided by the Office upon request and payment of the necessary fee.

FIG. 1 is a top, front and right side perspective view of a first embodiment of a surveillance camera showing my new design;  
FIG. 2 is a top, rear and right side perspective view thereof;  
FIG. 3 is a front view thereof;  
FIG. 4 is a rear view thereof;  
FIG. 5 is a top plan view thereof;  
FIG. 6 is a bottom plan view thereof;  
FIG. 7 is a right side view thereof;  
FIG. 8 is a left side view thereof;  
FIG. 9 is a top, front and right side perspective view of a second embodiment of a surveillance camera showing my new design;  
FIG. 10 is a top, rear and right side perspective view thereof;  
FIG. 11 is a front view thereof;  
FIG. 12 is a rear view thereof;  
FIG. 13 is a top plan view thereof;  
FIG. 14 is a bottom plan view thereof;  
FIG. 15 is a right side view thereof; and,  
FIG. 16 is a left side view thereof.

(Continued)

(56) **References Cited**

**U.S. PATENT DOCUMENTS**

D366,271 S 1/1996 Hasegawa  
D524,347 S 7/2006 Takahashi  
(Continued)

The broken lines shown in the drawings depict portions of the surveillance camera that form no part of the claimed design.

**FOREIGN PATENT DOCUMENTS**

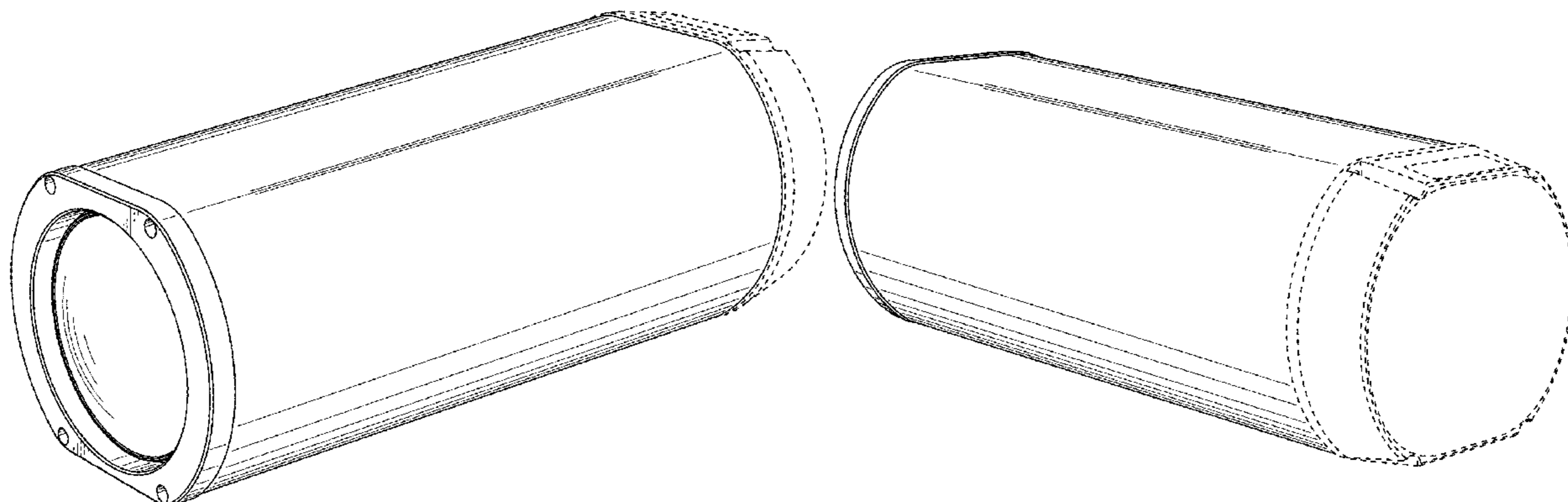
JP 1533789 S 9/2015  
JP 1536453 S 11/2015

**OTHER PUBLICATIONS**

Office Action issued in JP 2018-022556; mailed by the Japanese Patent Office dated Mar. 14, 2019.

(Continued)

**1 Claim, 10 Drawing Sheets**  
**(5 of 10 Drawing Sheet(s) Filed in Color)**



(58) **Field of Classification Search**  
 CPC ..... G03B 17/02; G03B 19/04; G03B 17/56;  
 G03B 17/04; G03B 15/03; H04N 5/2251;  
 H04N 5/2252; H04N 5/2253; H04N  
 5/2254; H04N 7/181; H04N 7/183; H04N  
 7/18; G08B 13/1963; G08B 13/19619;  
 G08B 13/19632; F16M 11/04; F16M  
 13/00

See application file for complete search history.

(56) **References Cited**

U.S. PATENT DOCUMENTS

D540,360 S	4/2007	Yamakawa	
D613,784 S	4/2010	Wang et al.	
D633,543 S	3/2011	Park	
D727,390 S *	4/2015	Schmidt .....	D16/218
D732,100 S	6/2015	Jeong et al.	
D732,597 S	6/2015	Celler	
D739,888 S	9/2015	Liang	
D742,953 S	11/2015	Li	
D752,128 S *	3/2016	Mohan .....	D16/237
D777,818 S *	1/2017	Bingleman .....	D16/203
D792,919 S	7/2017	Ryu et al.	
D809,046 S	1/2018	Hatcher et al.	
D823,922 S	7/2018	Hikima et al.	
D827,012 S *	8/2018	Katori .....	D16/202
D827,013 S *	8/2018	Ahman .....	D16/203
D833,502 S	11/2018	Asakawa	

D849,085 S *	5/2019	Fuller .....	D16/202
D874,534 S	2/2020	Matsuo	
D894,991 S *	9/2020	Park .....	D16/202
D896,297 S *	9/2020	Park .....	D16/203
D902,282 S *	11/2020	Gu .....	D16/203
D911,414 S *	2/2021	Zheng .....	D16/202

OTHER PUBLICATIONS

Office Action issued in JP 2019-000066; mailed by the Japanese Patent Office dated Mar. 14, 2019.

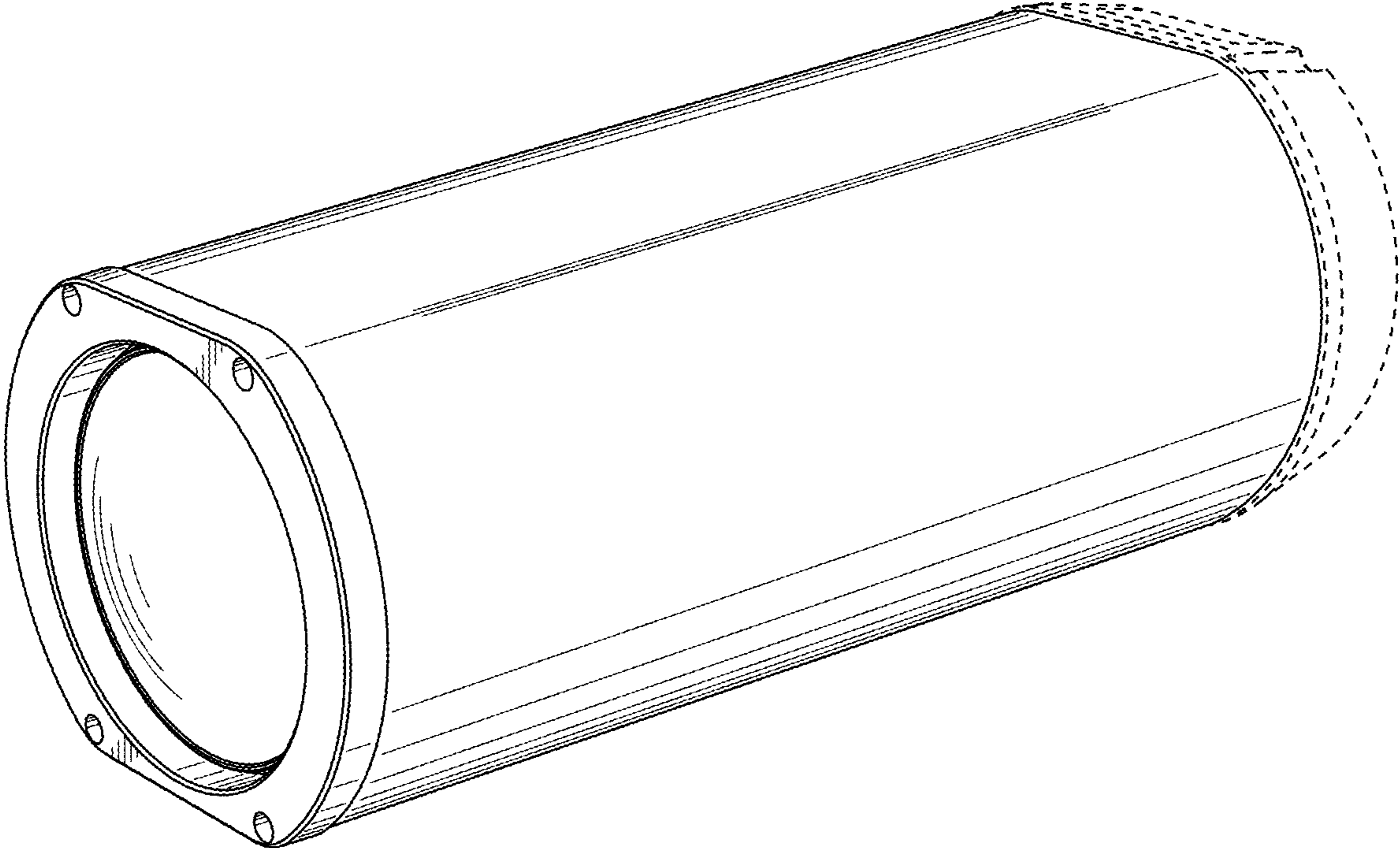
Accepted by National Center for Industrial Property Information and Training (Checked on Mar. 20, 2015); "Mitsubishi Digital CCTV system Surveillance Camera System MELOOK 3" published by Mitsubishi Electric Corporation; Recorded on p. 4; Product Name: Fixed Camera; Design of a surveillance camera (Japan Patent Office, Design Division Official Gazette No. HC27005030).

Accepted by Japan Patent Office, Design Section (Checked on Jul. 28, 2006); "CCD digital camera product line-up" published by Flovel Co., Ltd.; Recorded on p. A-1; Product Name: ADP-240; Design of video camera (Japan Patent Office, Design Division Official Gazette No. HC18029651).

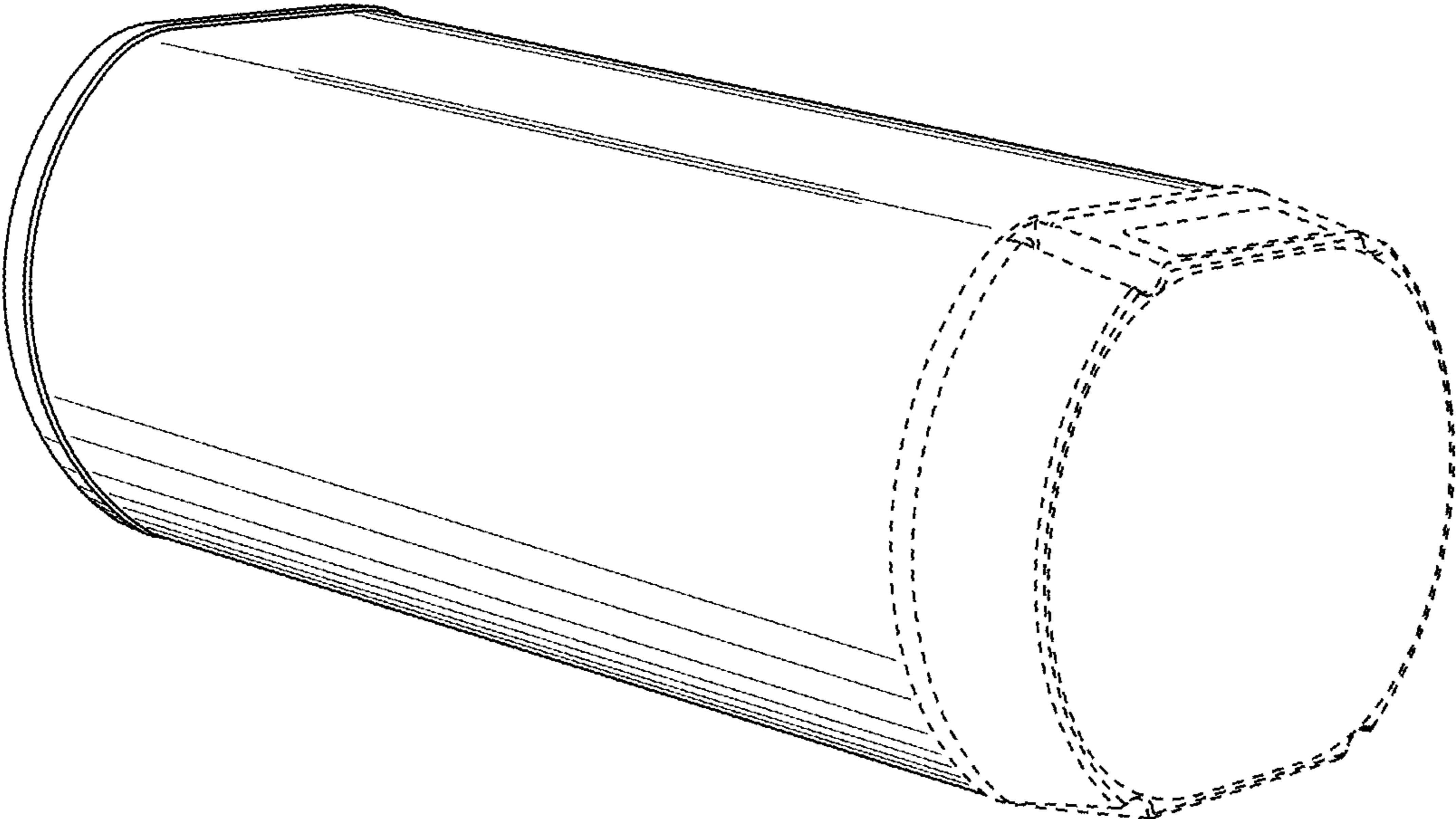
Accepted by Japan Patent Office, Design Section (Checked on Mar. 31, 2005); "A&S Installer Security engineering Jan. 2005" published by New Era International Inc.; Recorded on p. 53; Product Name: EAZ3500B; Design of surveillance TV camera (Japan Patent Office, Design Division Official Gazette No. HD17006896).

\* cited by examiner

**FIG. 1**

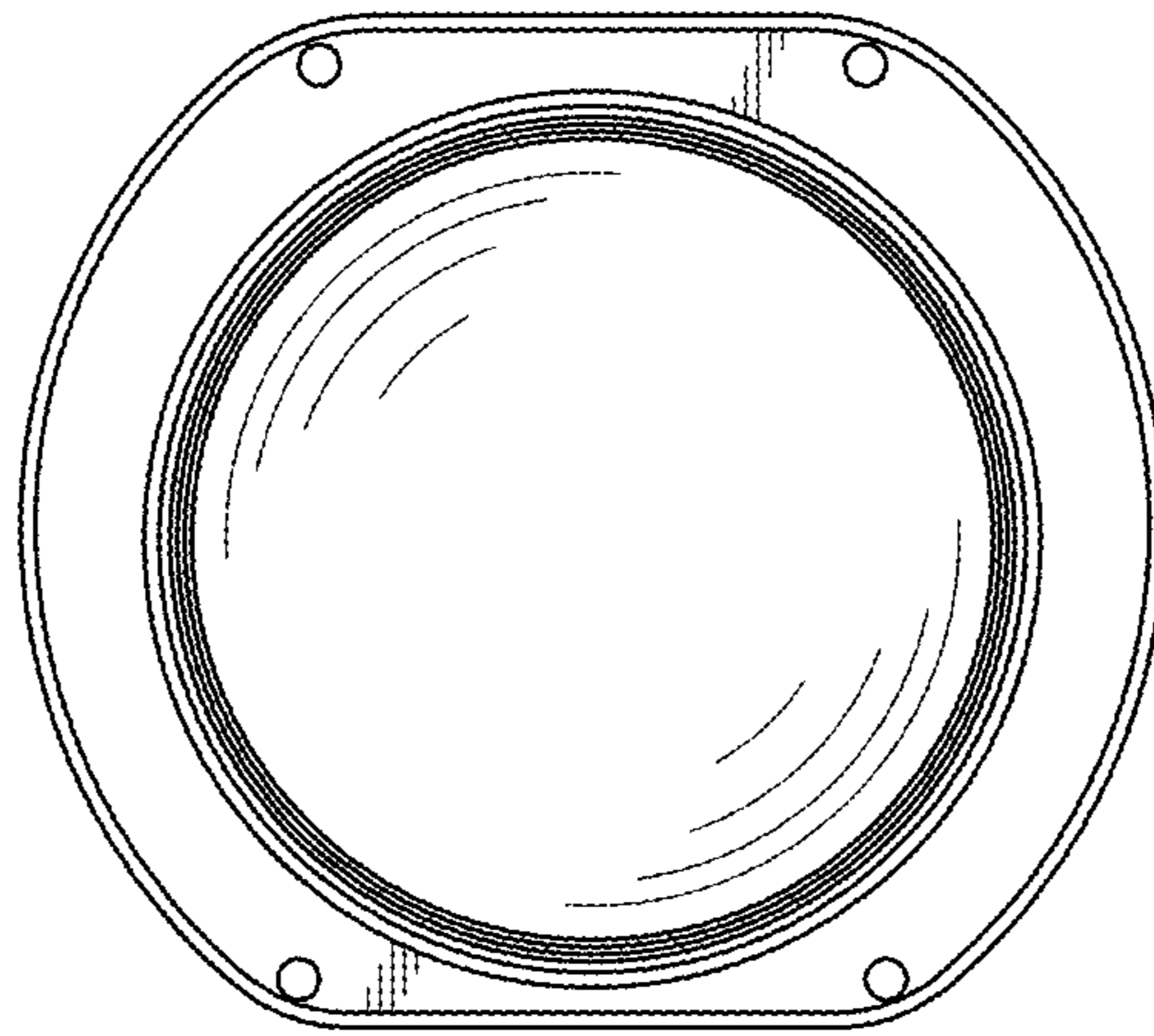


**FIG. 2**

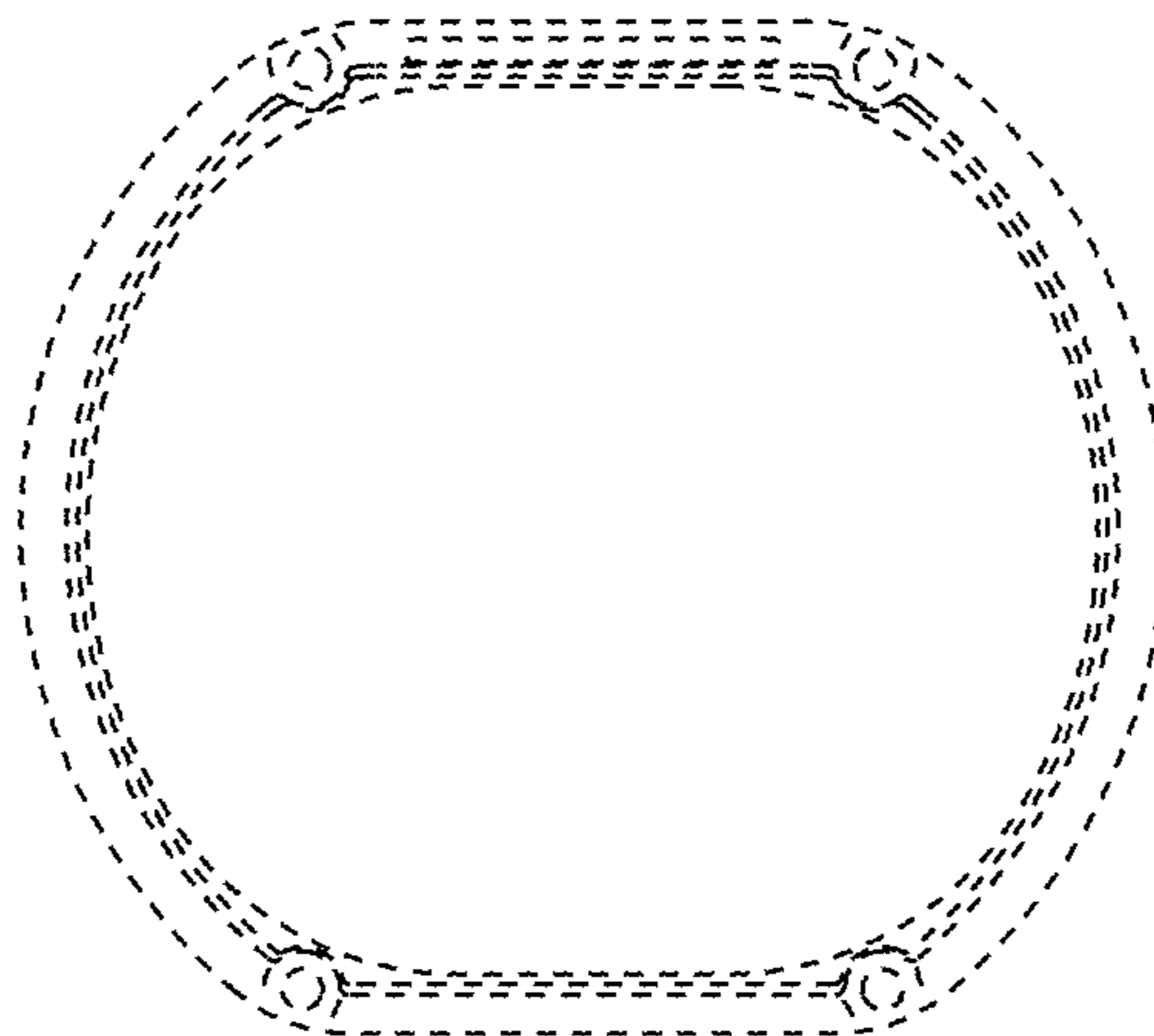




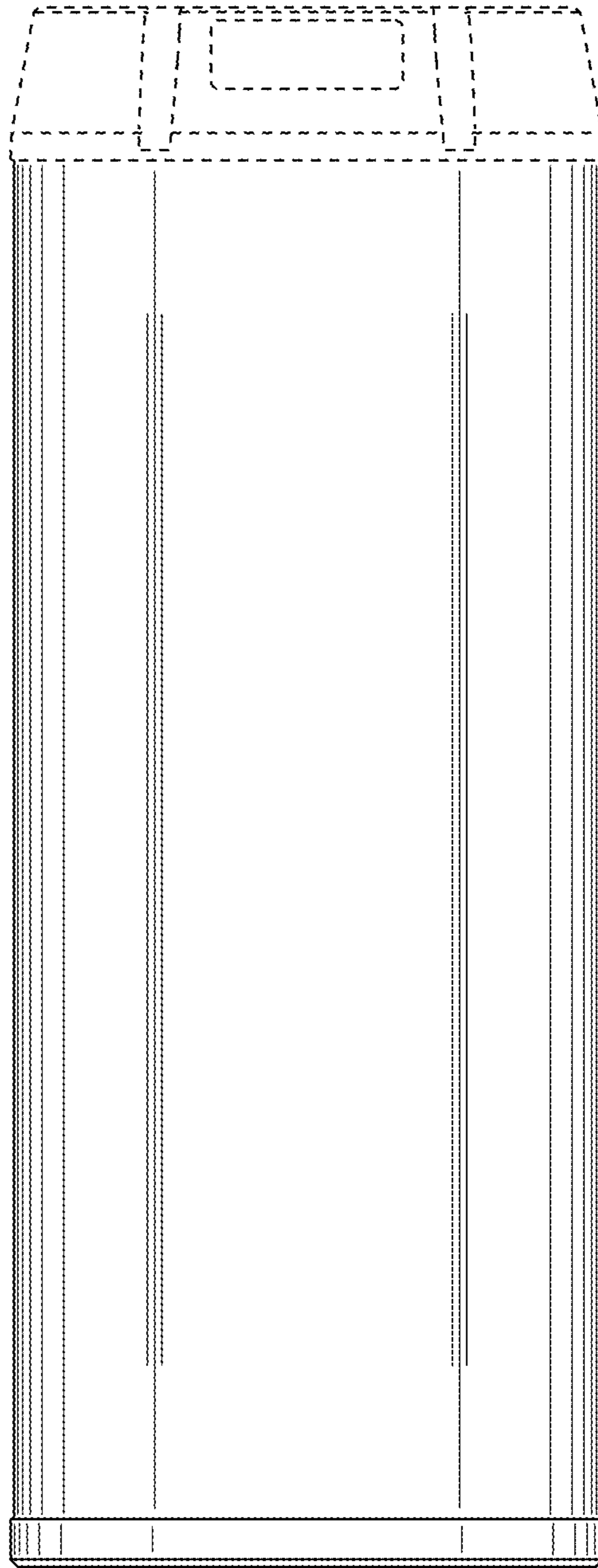
**FIG. 3**



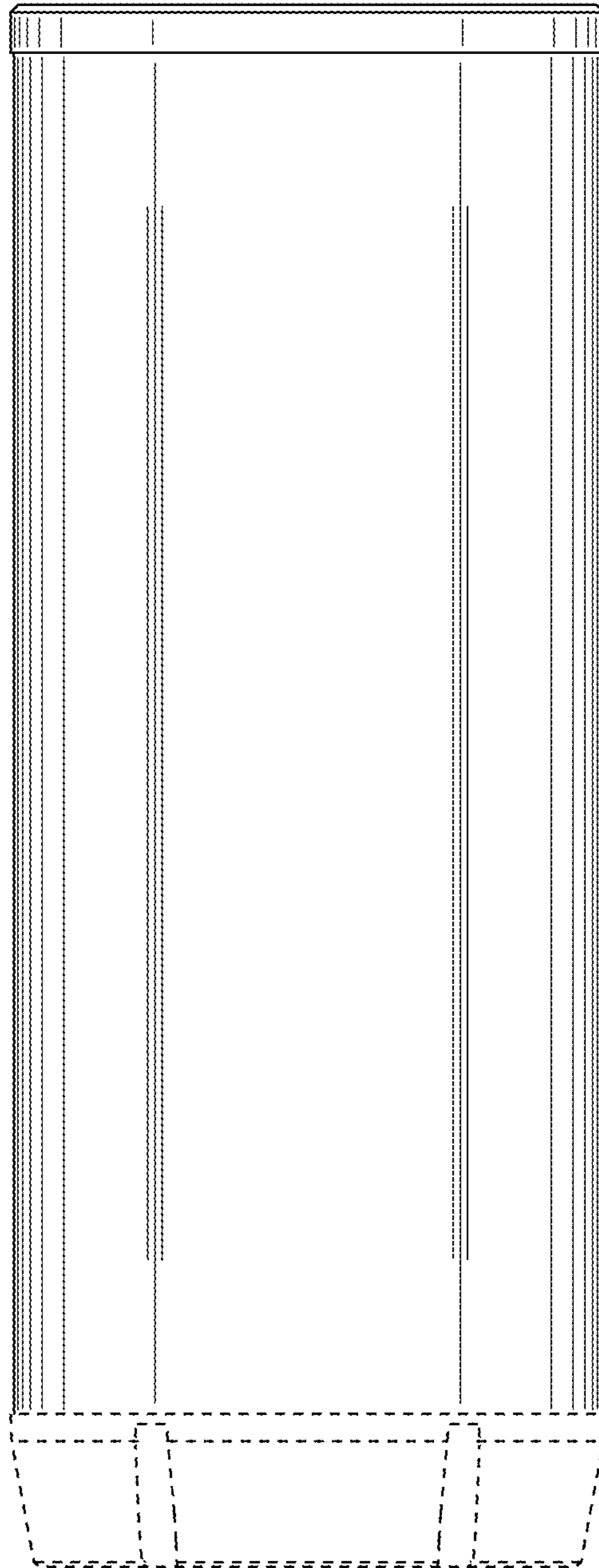
**FIG. 4**



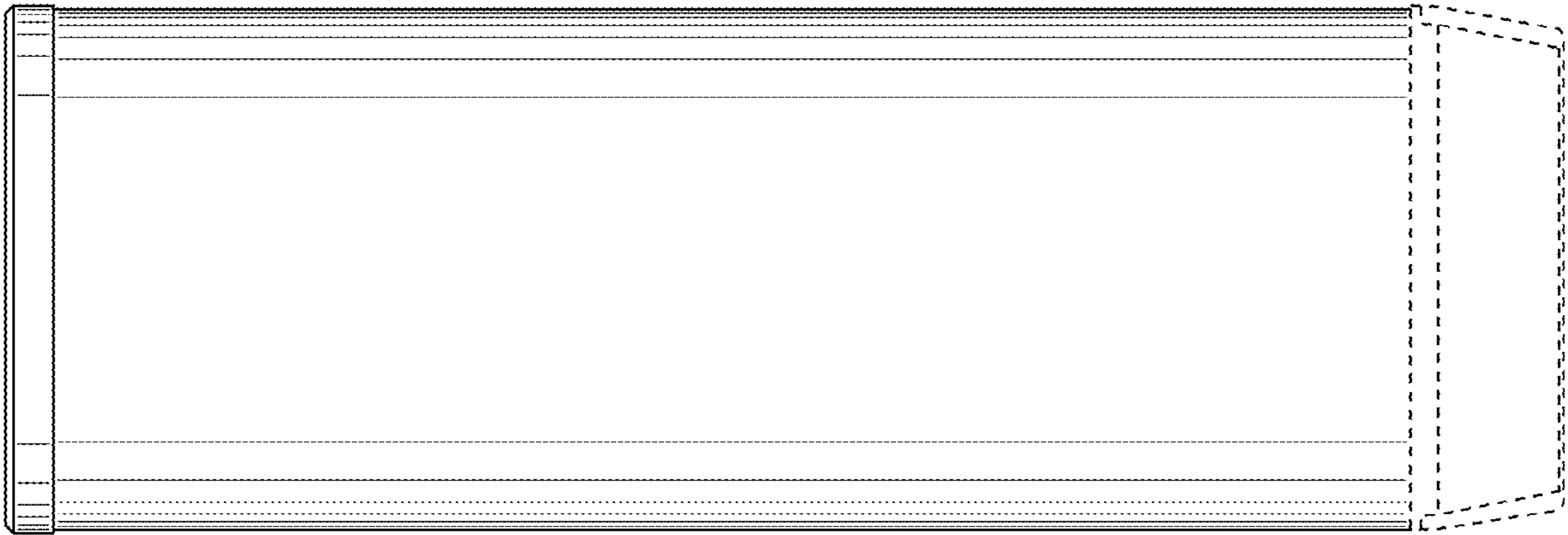
**FIG. 5**



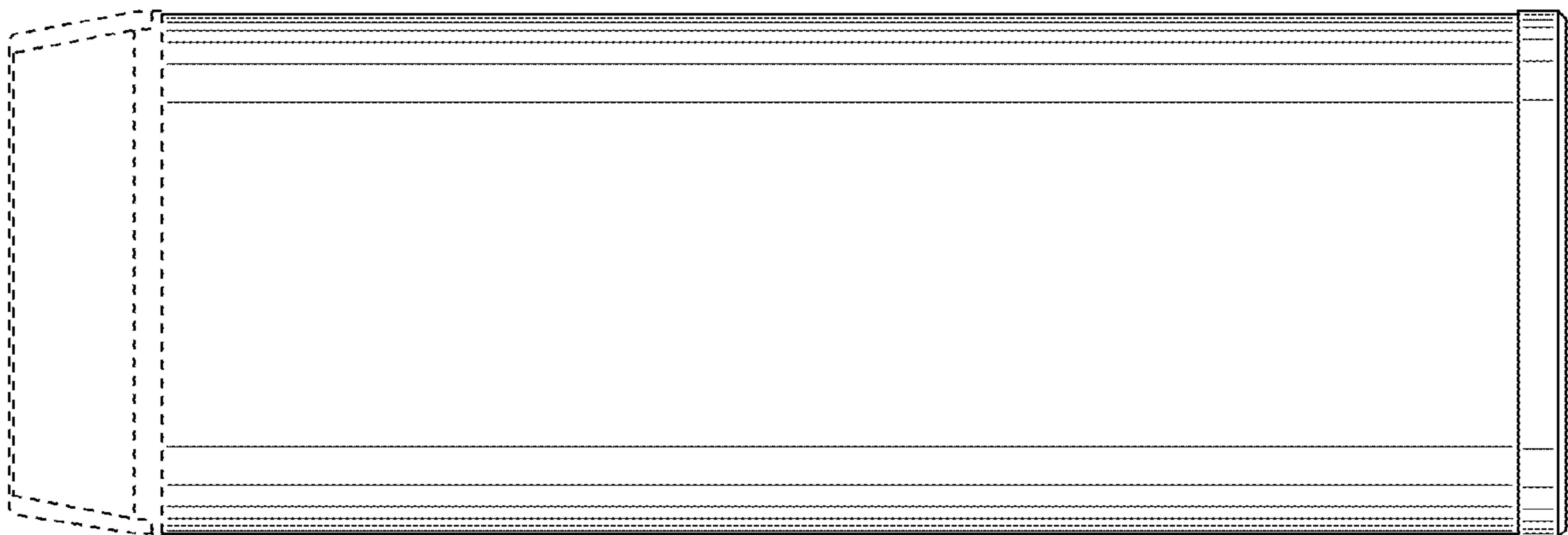
**FIG. 6**



**FIG. 7**



**FIG. 8**

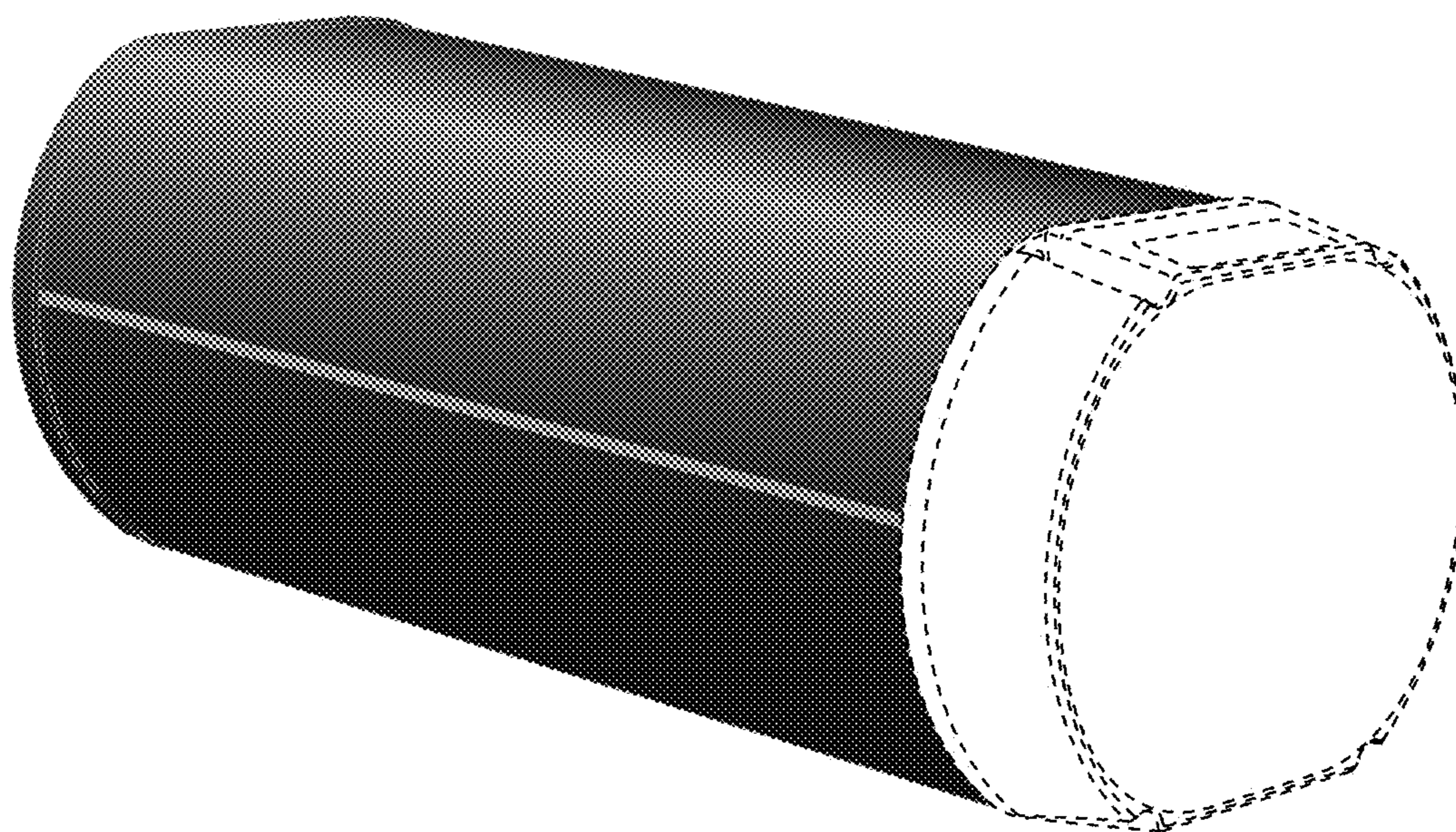




**FIG. 9**

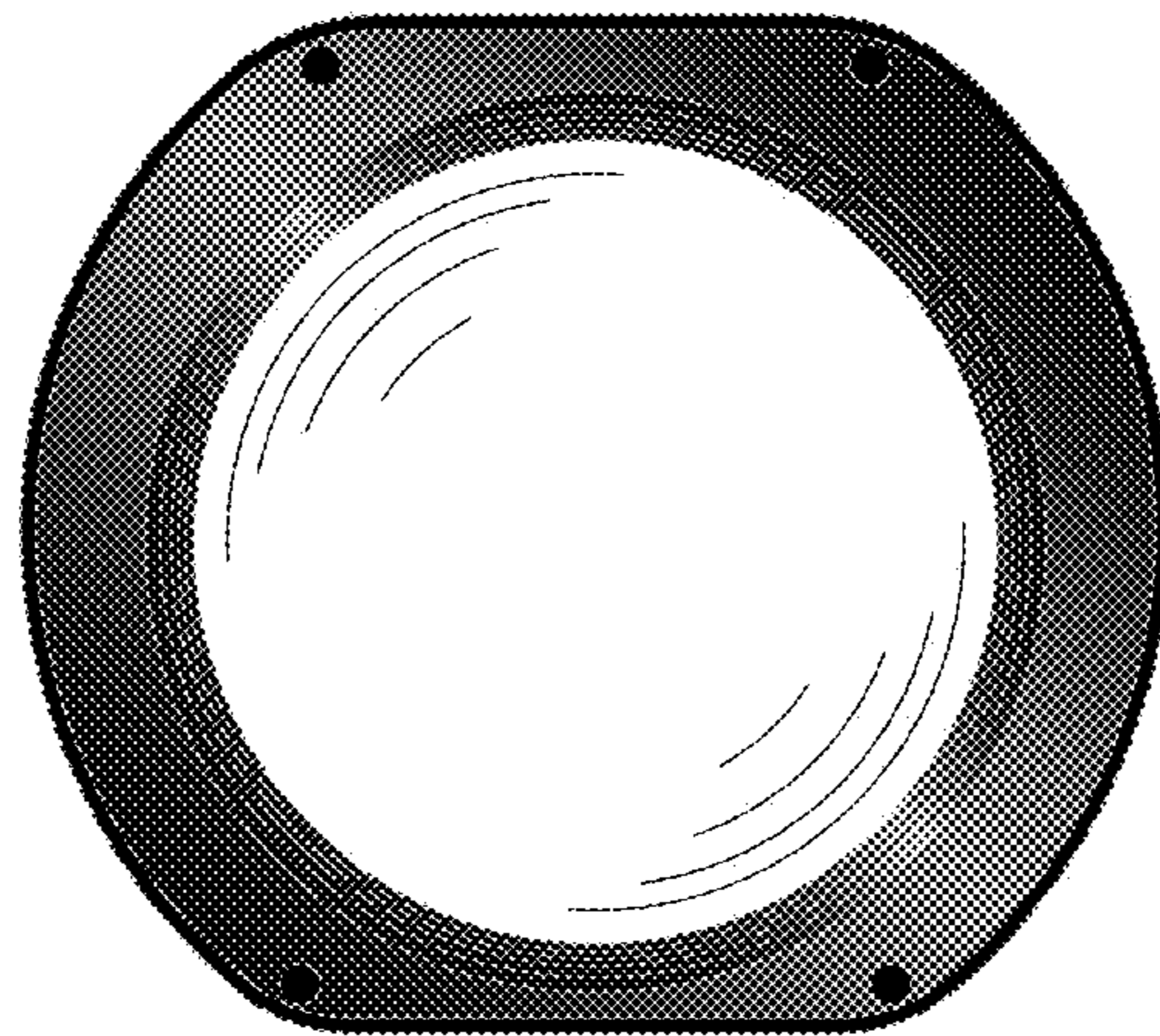


**FIG. 10**

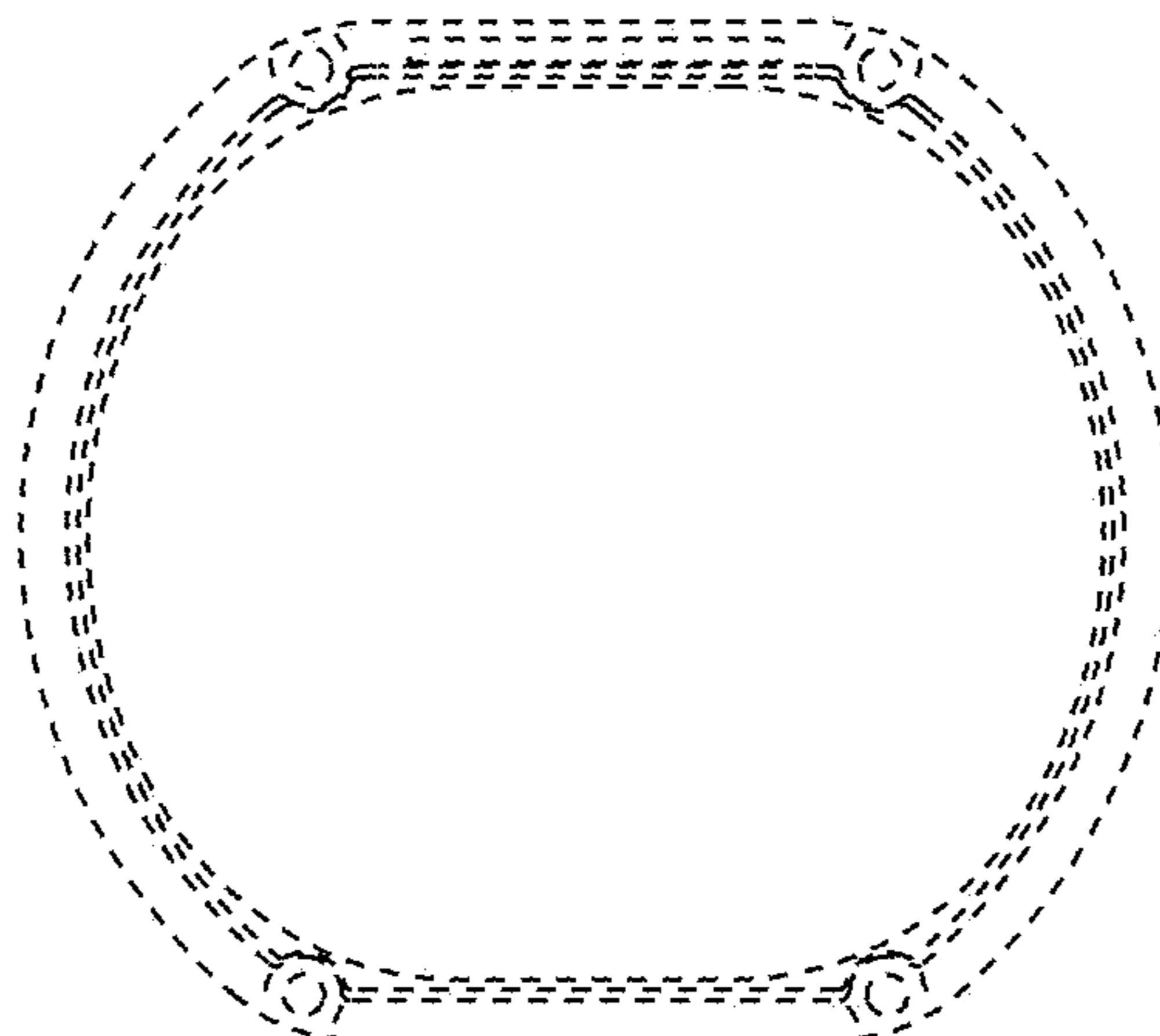




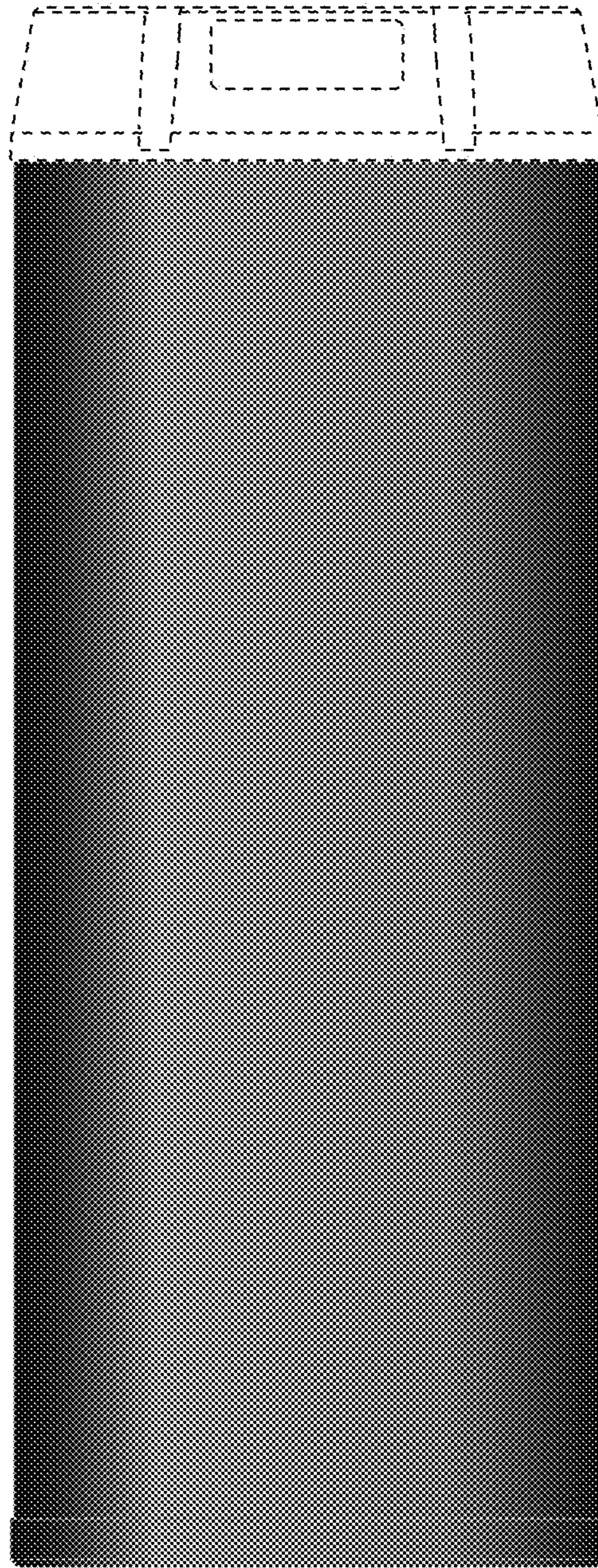
**FIG. 11**



**FIG. 12**

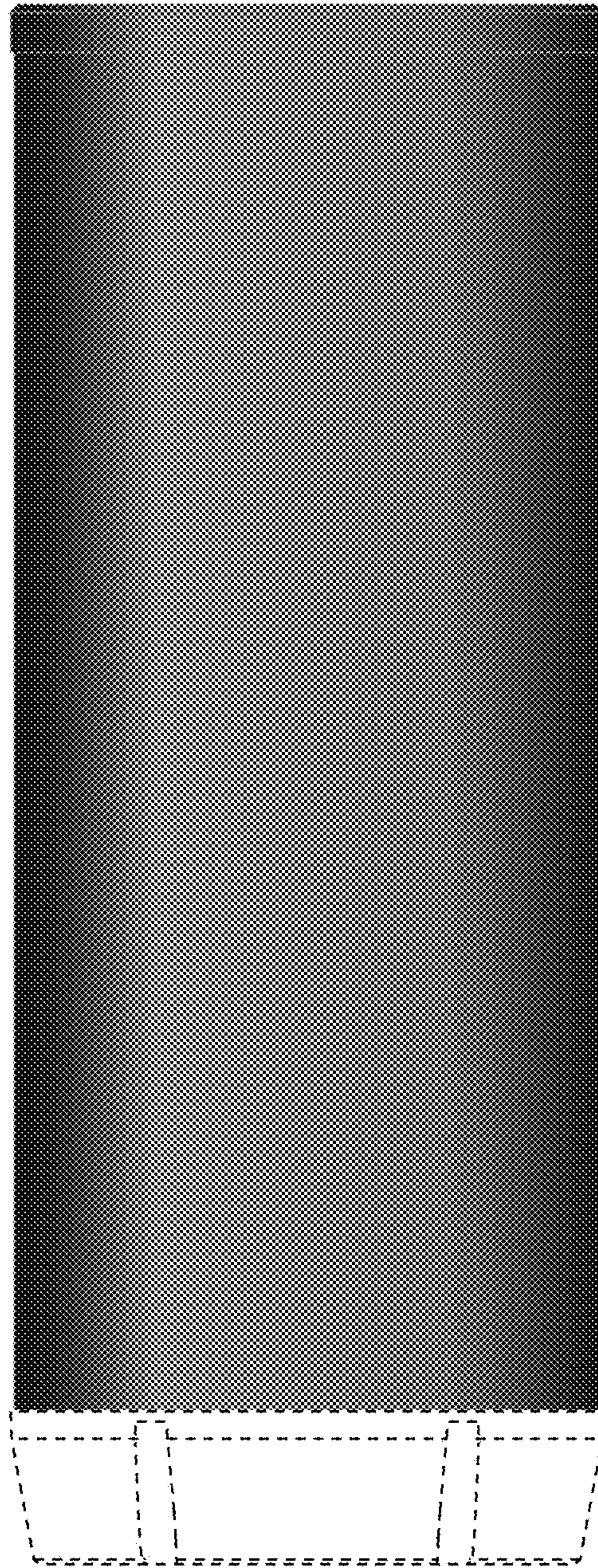


**FIG. 13**



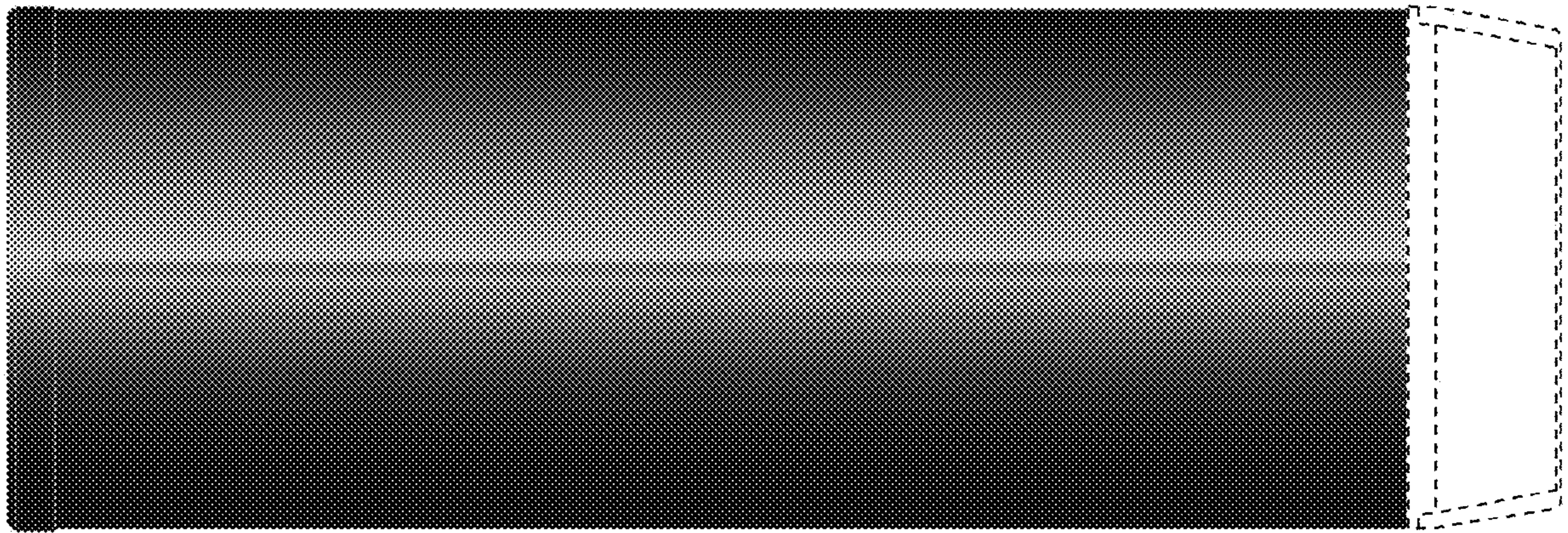


**FIG. 14**





**FIG. 15**



**FIG. 16**

