



US00D920414S

(12) **United States Design Patent** (10) **Patent No.:** **US D920,414 S**
Mori (45) **Date of Patent:** **** May 25, 2021**

(54) **HANDLE FOR DIGITAL VIDEO CAMERA**

(56) **References Cited**

(71) Applicant: **CANON KABUSHIKI KAISHA,**
Tokyo (JP)

U.S. PATENT DOCUMENTS

(72) Inventor: **Takashi Mori,** Kanagawa-ken (JP)

D135,037 S *	2/1943	Munson	D16/243
D231,402 S *	4/1974	Bourke	D16/243
D311,198 S *	10/1990	Kosugi	D16/242
D319,247 S *	8/1991	Forrester, Jr.	D16/202
D336,309 S *	6/1993	Forrester, Jr.	D16/202
D503,421 S *	3/2005	McElderry	D16/242
D519,145 S *	4/2006	McElderry	D16/242
D519,541 S *	4/2006	McElderry	D16/242
D583,144 S *	12/2008	Vejnar	D3/201
D696,333 S	12/2013	Takahashi et al.	
D698,381 S *	1/2014	Arimoto	D16/219
D715,847 S *	10/2014	Herrero	D16/243
D726,242 S *	4/2015	Klinger	D16/243
D754,230 S	4/2016	Mori et al.	

(73) Assignee: **Canon Kabushiki Kaisha,** Tokyo (JP)

(**) Term: **15 Years**

(21) Appl. No.: **29/664,237**

(22) Filed: **Sep. 24, 2018**

Related U.S. Application Data

(62) Division of application No. 35/503,265, filed on Dec. 26, 2016 (U.S. filing date under 35 U.S.C. 384), and having an international filing date of Dec. 26, 2016, now Pat. No. Des. 875,805.

* cited by examiner

Primary Examiner — Holly E Thurman

(74) *Attorney, Agent, or Firm* — Venable LLP

(30) **Foreign Application Priority Data**

Jun. 30, 2016 (JP) 2016-013982

(51) **LOC (13) Cl.** **16-01**

(52) **U.S. Cl.**
USPC **D16/202**

(58) **Field of Classification Search**
USPC D16/200, 202–206, 208, 218, 219, 242,
D16/243

CPC G03B 17/02; G03B 17/04; G03B 17/56;
G03B 17/14; G03B 19/04; H04N 5/2251;
H04N 5/2252; H04N 5/2253; H04N
5/2254

See application file for complete search history.

(57) **CLAIM**

The ornamental design for a handle for digital video camera, as shown and described.

DESCRIPTION

1. Handle for digital video camera

FIG. 1 : Front

FIG. 2 : Back

FIG. 3 : Top

FIG. 4 : Bottom

FIG. 5 : Left

FIG. 6 : Right; and,

FIG. 7 : Perspective.

The broken lines illustrate portions of the handle for digital video camera that form no part of the claimed design.

1 Claim, 7 Drawing Sheets

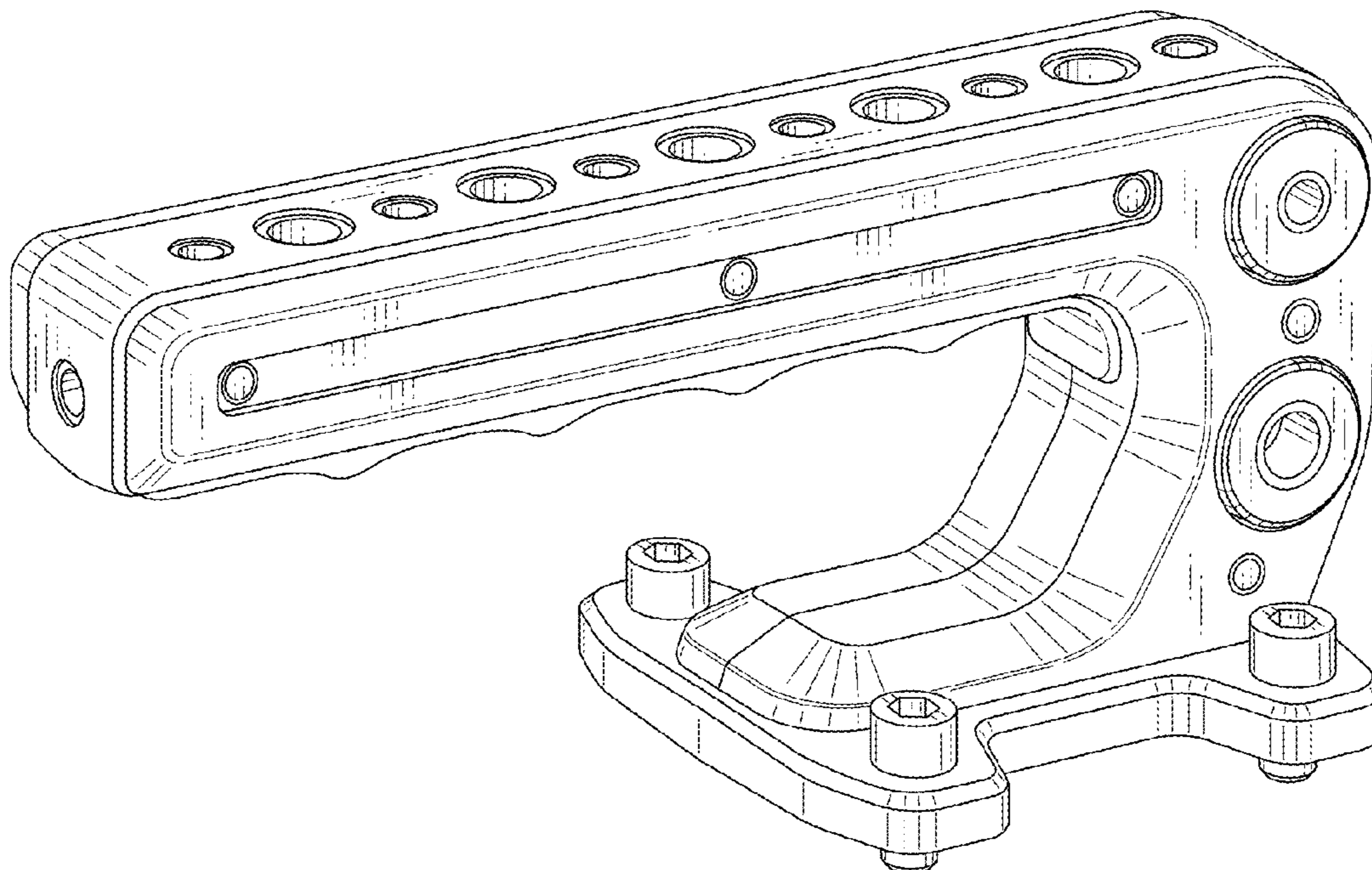


FIG. 1

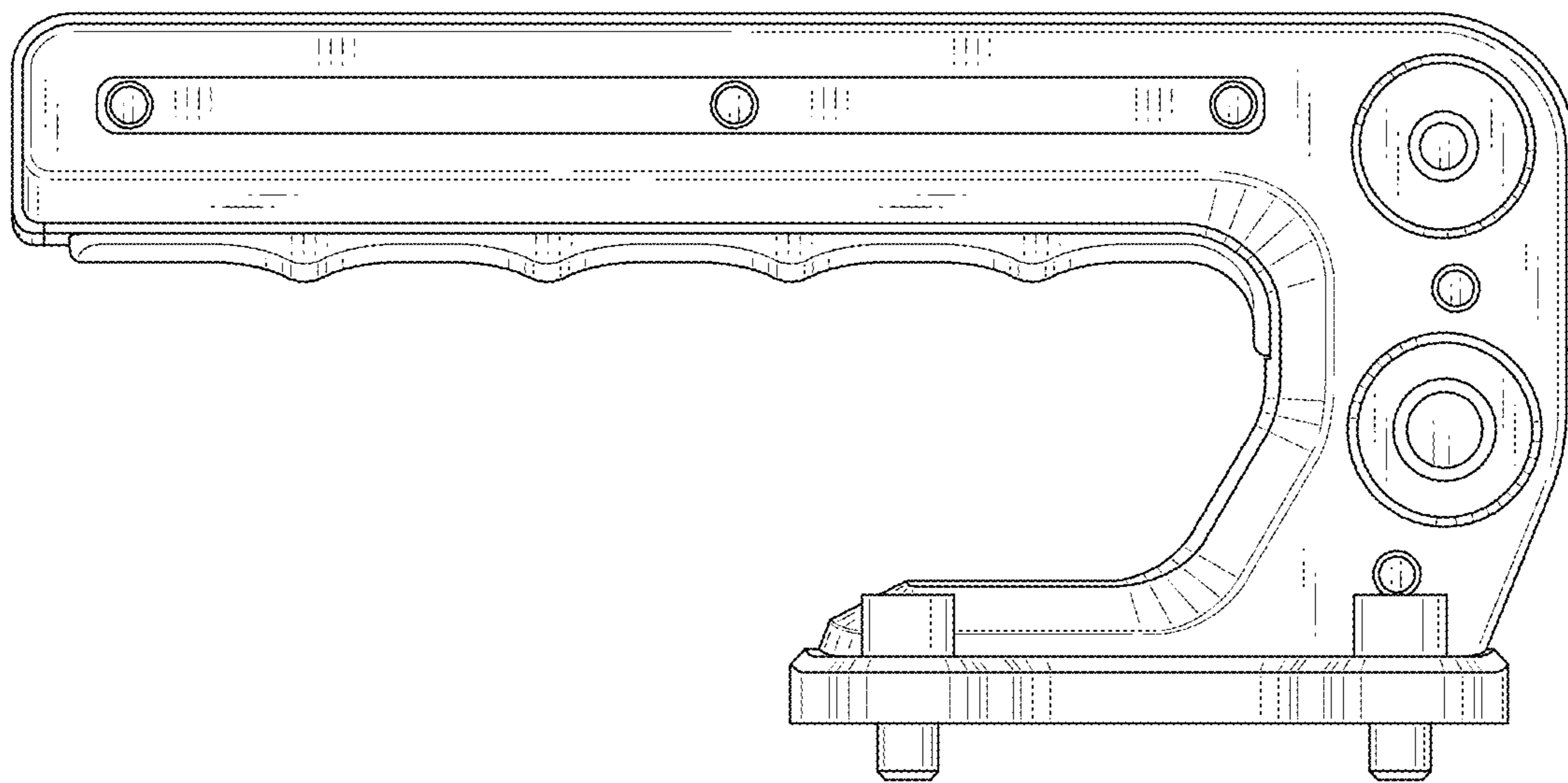


FIG. 2

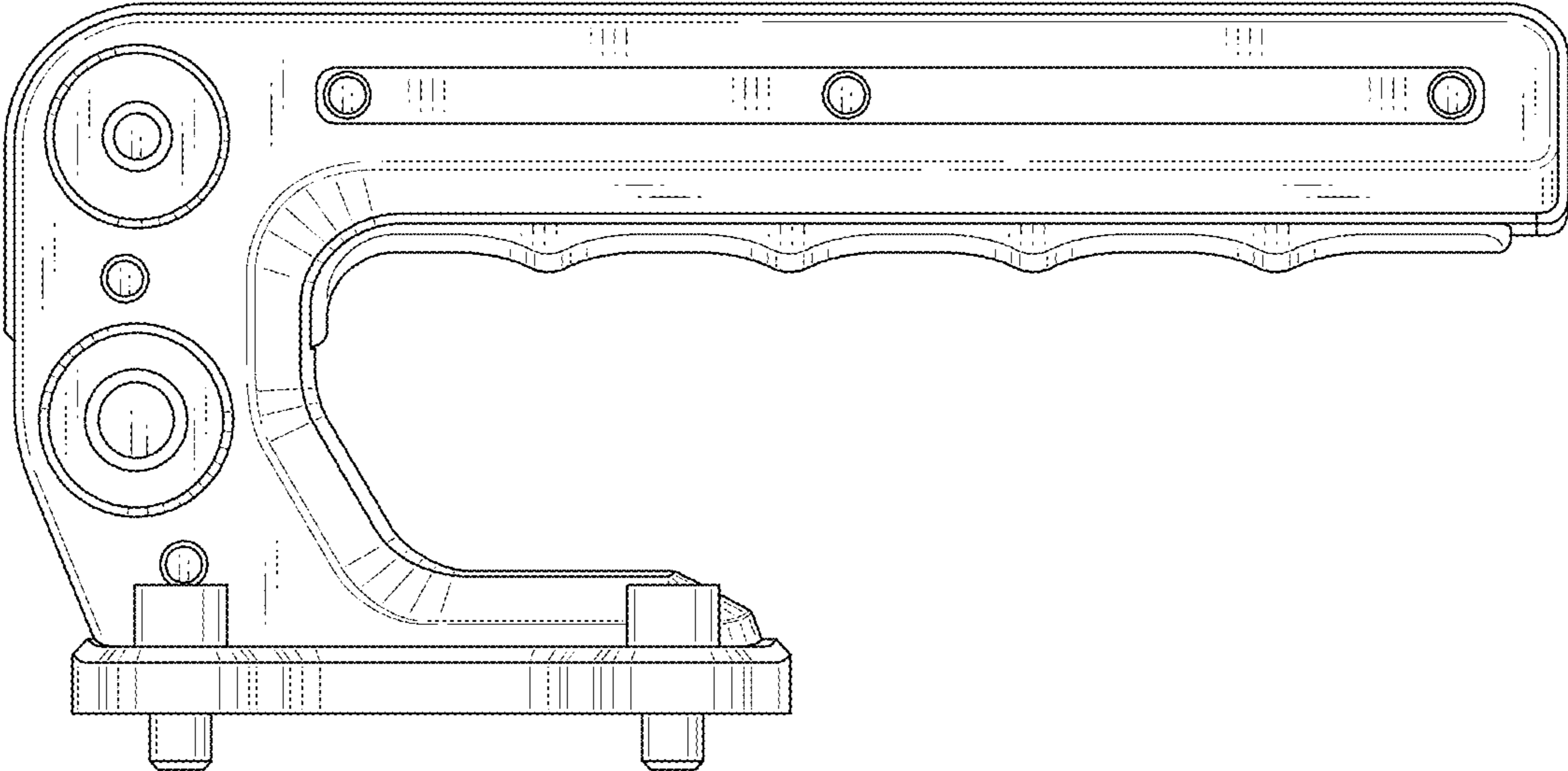


FIG. 3

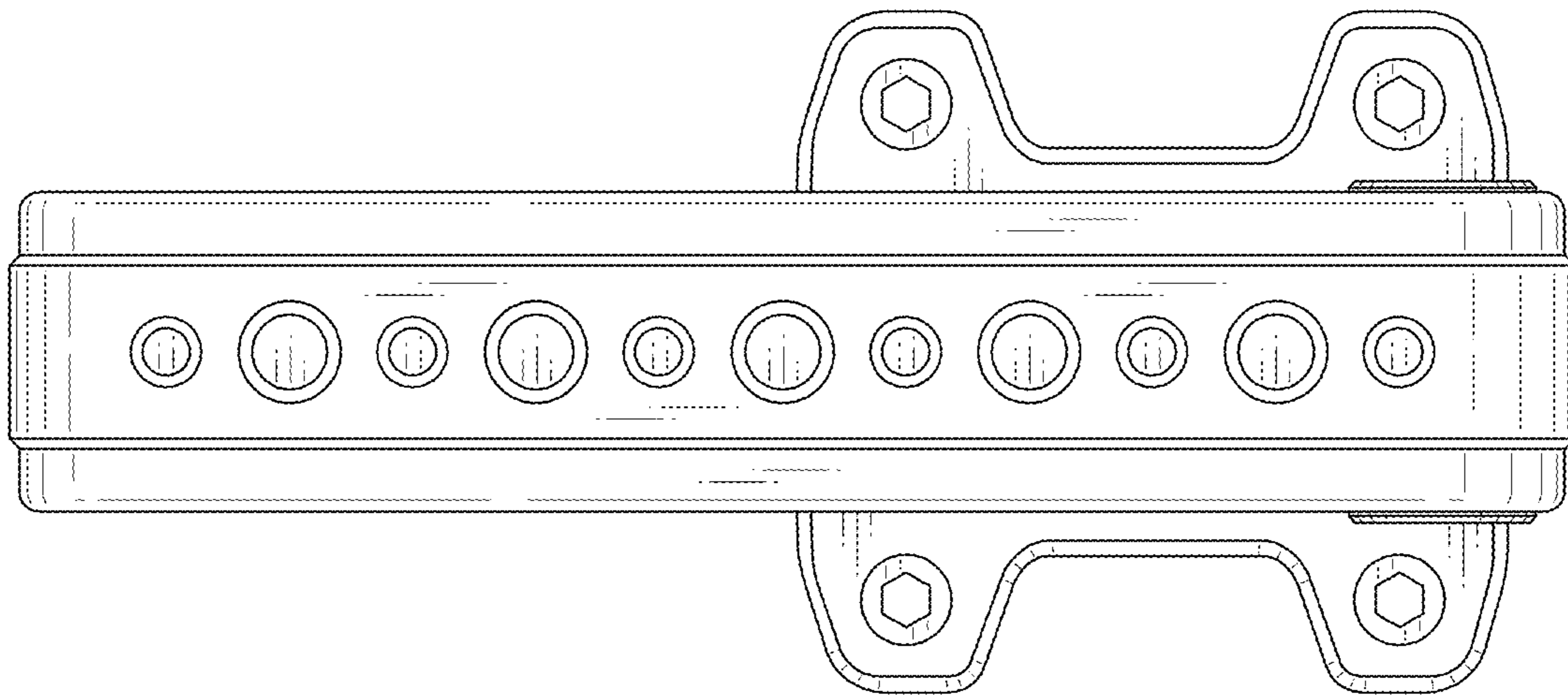


FIG. 4

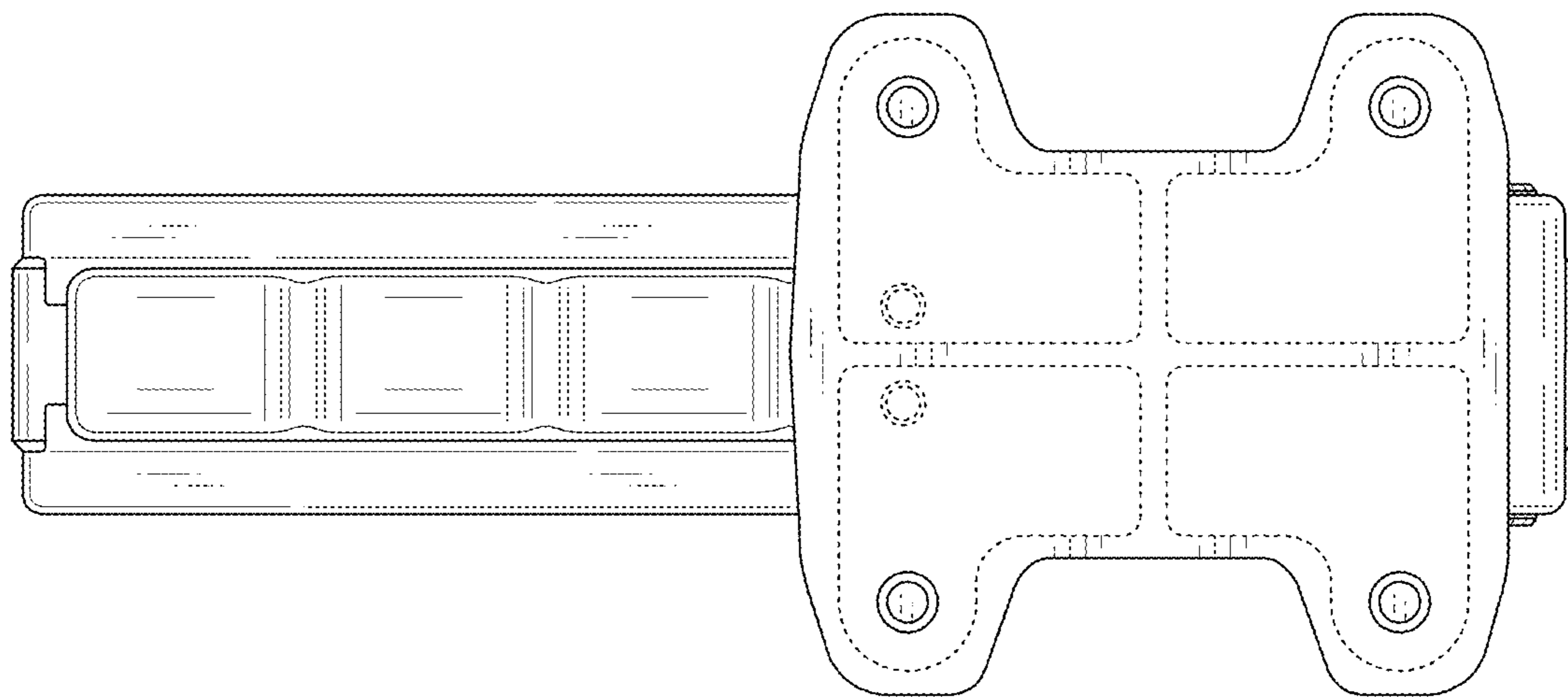


FIG. 5

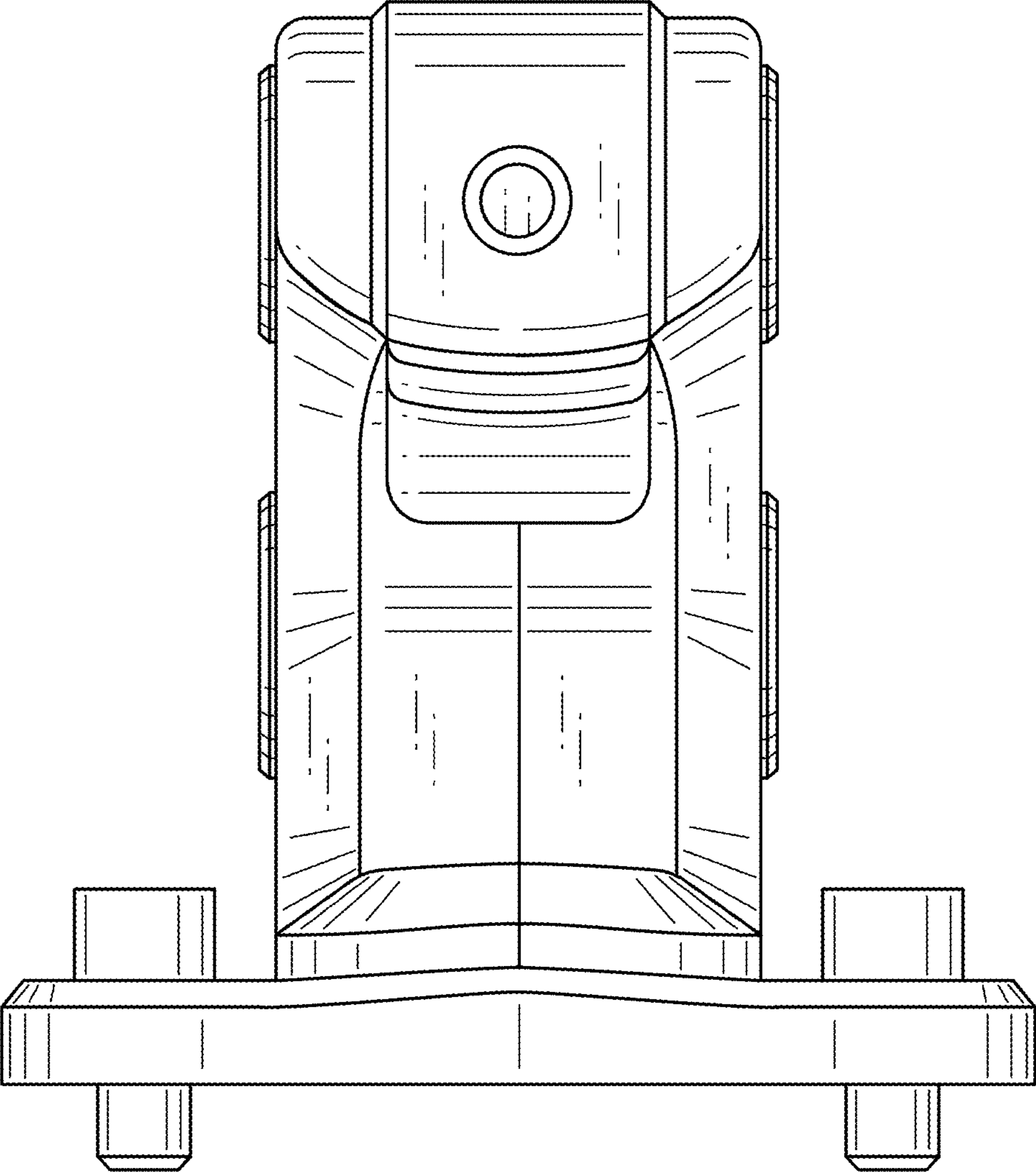


FIG. 6

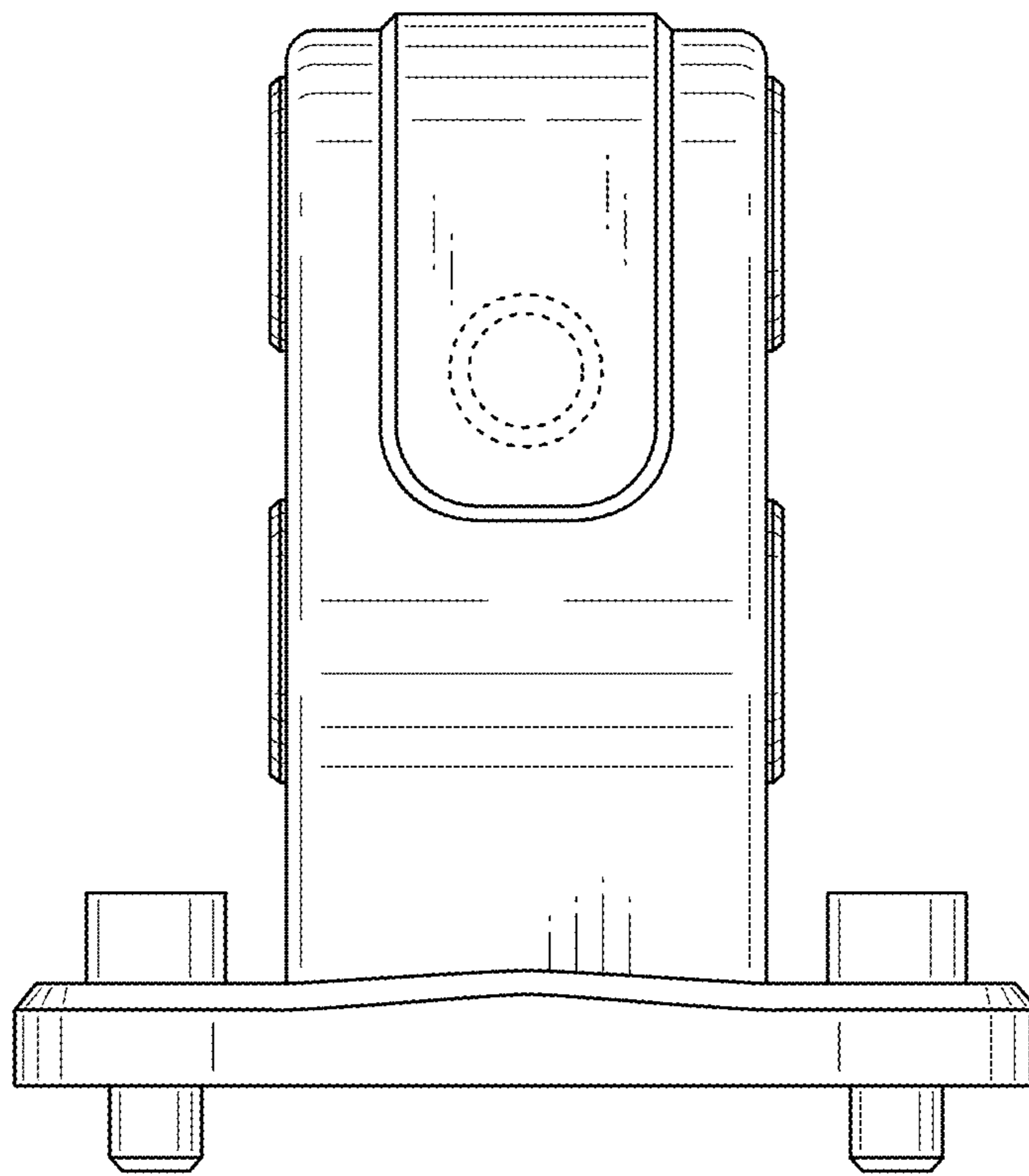


FIG. 7

