



US00D920413S

(12) **United States Design Patent** (10) **Patent No.:** **US D920,413 S**
Igarashi (45) **Date of Patent:** **** May 25, 2021**

(54) **CONTROL PANEL FOR DIGITAL VIDEO CAMERA**

(56) **References Cited**

- (71) Applicant: **CANON KABUSHIKI KAISHA**,
Tokyo (JP)
- (72) Inventor: **Masaaki Igarashi**, Tokyo (JP)
- (73) Assignee: **Canon Kabushiki Kaisha**, Tokyo (JP)
- (**) Term: **15 Years**
- (21) Appl. No.: **29/664,230**
- (22) Filed: **Sep. 24, 2018**

U.S. PATENT DOCUMENTS

D437,868	S	*	2/2001	Naito	D16/202
D460,097	S	*	7/2002	Ohi	D16/202
D502,722	S	*	3/2005	Horikiri	D16/202
D542,822	S	*	5/2007	Senda	D16/202
D576,187	S	*	9/2008	Hayashi	D16/202
D669,516	S	*	10/2012	Nakamura	D16/202
D696,333	S		12/2013	Takahashi et al.		
D700,924	S	*	3/2014	Sasaki	D16/202
D701,549	S	*	3/2014	Ogasawara	D16/202
D719,993	S	*	12/2014	Soejima	D16/202
D744,022	S	*	11/2015	Petty	D16/202
D754,230	S	*	4/2016	Mori	D16/200
D794,693	S	*	8/2017	Sato	D16/202

* cited by examiner

Related U.S. Application Data

- (62) Division of application No. 35/503,265, filed on Dec. 26, 2016 (U.S. filing date under 35 U.S.C. 384), and having an international filing date of Dec. 26, 2016, now Pat. No. Des. 875,805.

Primary Examiner — Holly E Thurman

(74) *Attorney, Agent, or Firm* — Venable LLP

(57) **CLAIM**

The ornamental design for a control panel for digital video camera, as shown and described.

(30) **Foreign Application Priority Data**

- Jun. 30, 2016 (JP) 2016013979
- (51) **LOC (13) Cl.** **16-01**
- (52) **U.S. Cl.**
USPC **D16/202**
- (58) **Field of Classification Search**
USPC D16/200, 202–206, 208, 218, 219, 242
CPC G03B 17/02; G03B 17/04; G03B 17/56;
G03B 17/14; G03B 19/04; H04N 5/2251;
H04N 5/2252; H04N 5/2253; H04N
5/2254

DESCRIPTION

- FIG. 1 : Front
- FIG. 2 : Back
- FIG. 3 : Top
- FIG. 4 : Bottom
- FIG. 5 : Left
- FIG. 6 : Right
- FIG. 7 : Perspective

The broken lines in the drawings illustrate portions of the control panel for digital video camera that form no part of the claimed design.

See application file for complete search history.

1 Claim, 7 Drawing Sheets

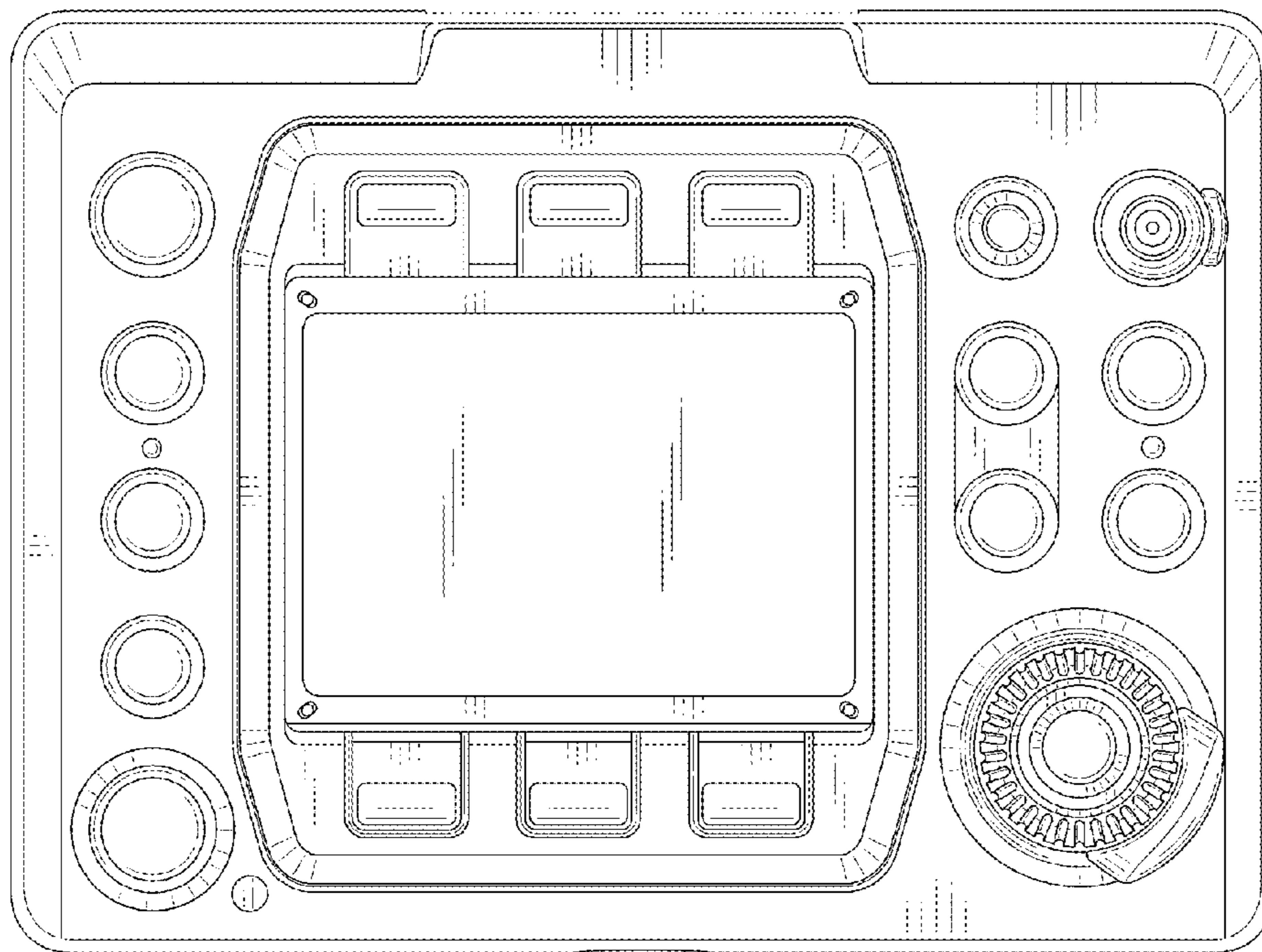


FIG. 1

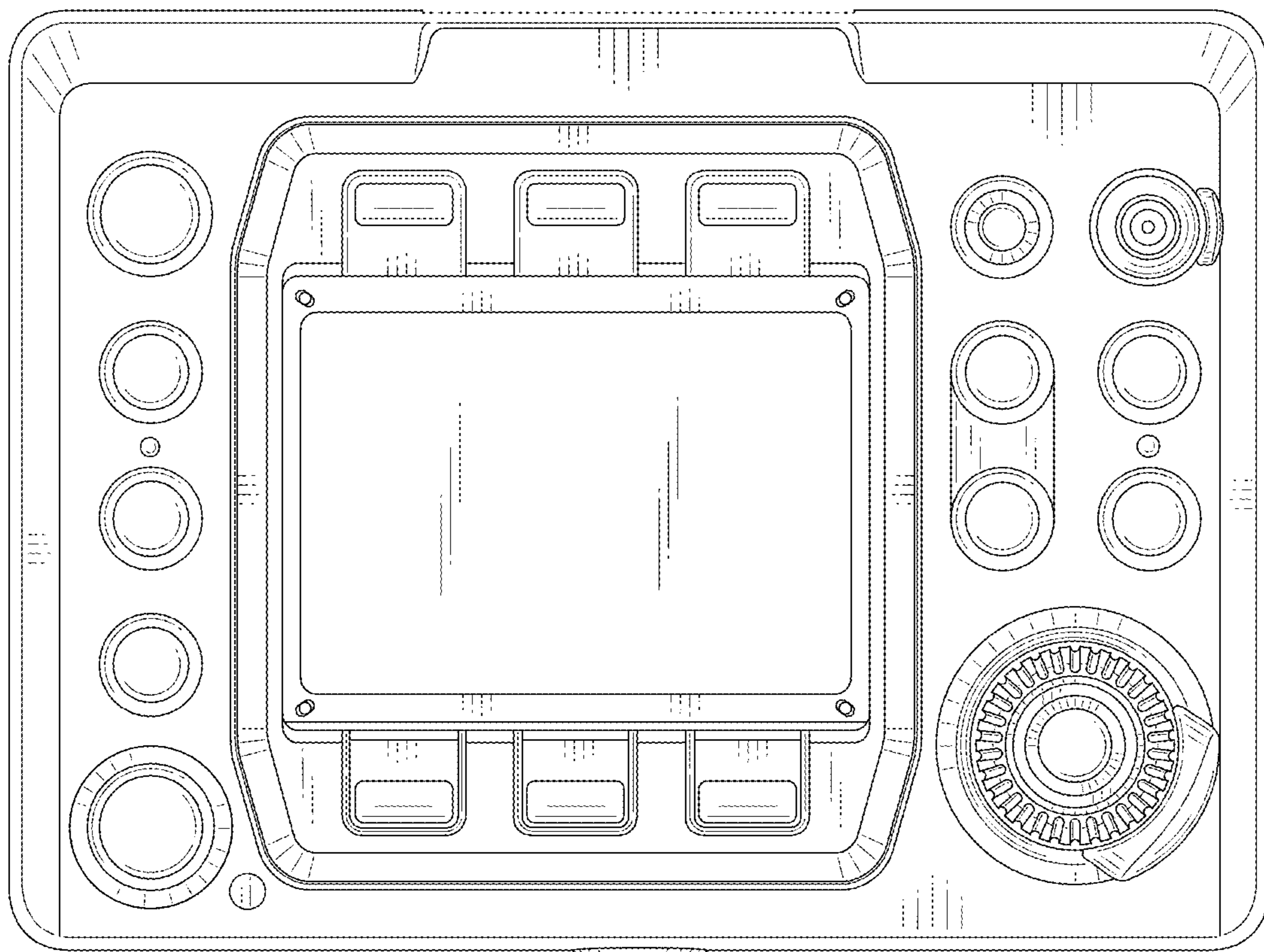


FIG. 2

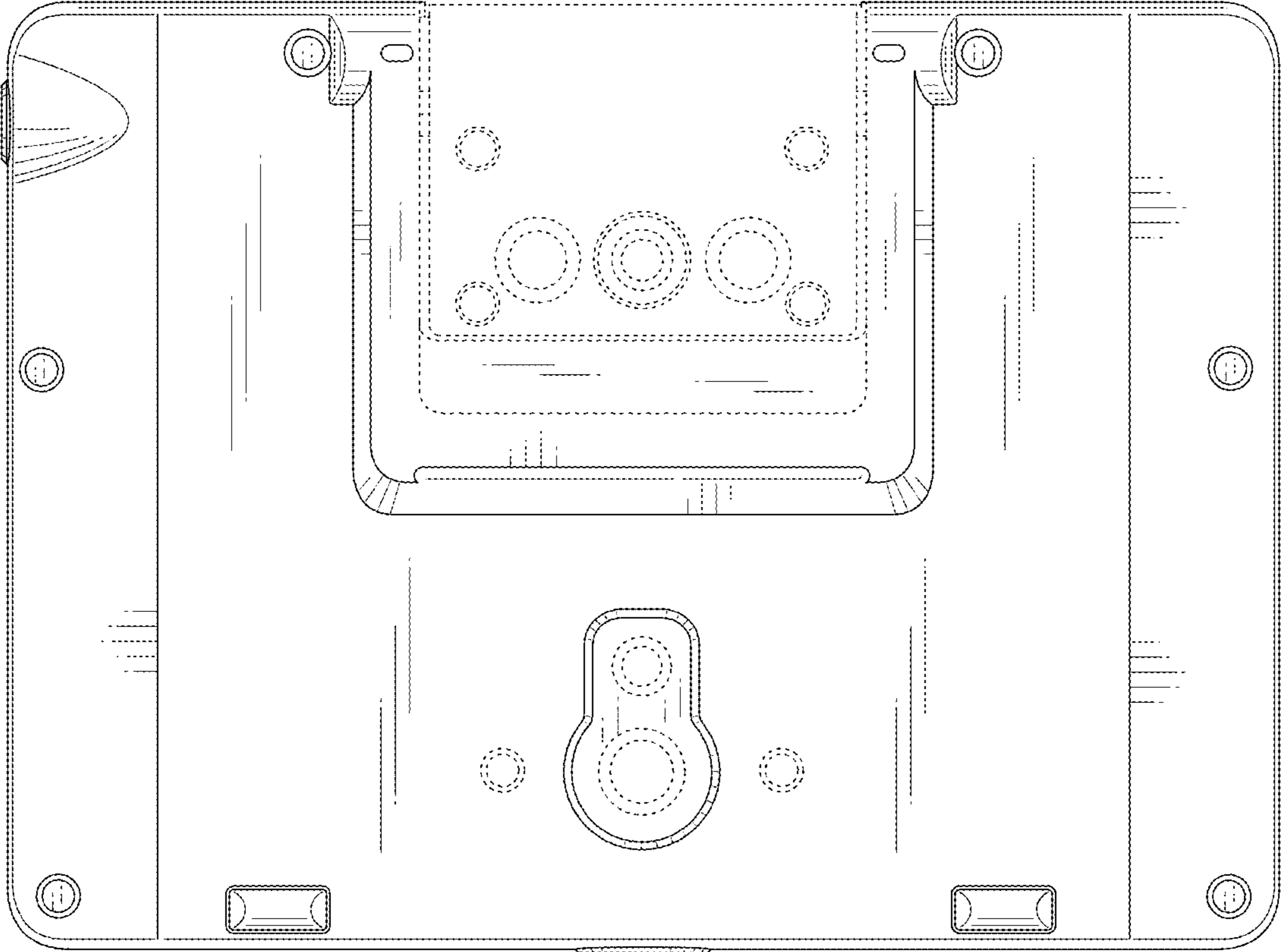


FIG. 3

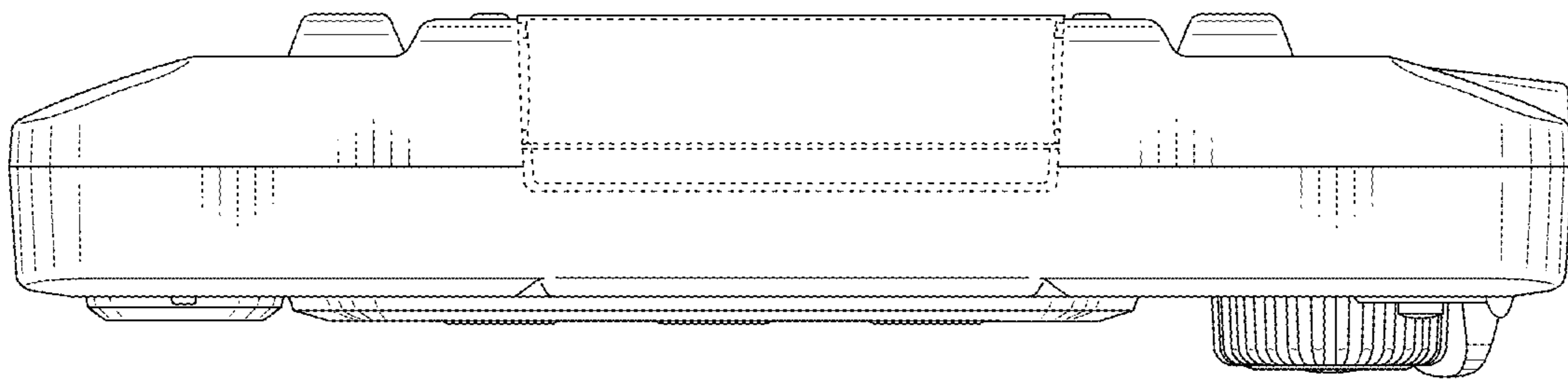


FIG. 4

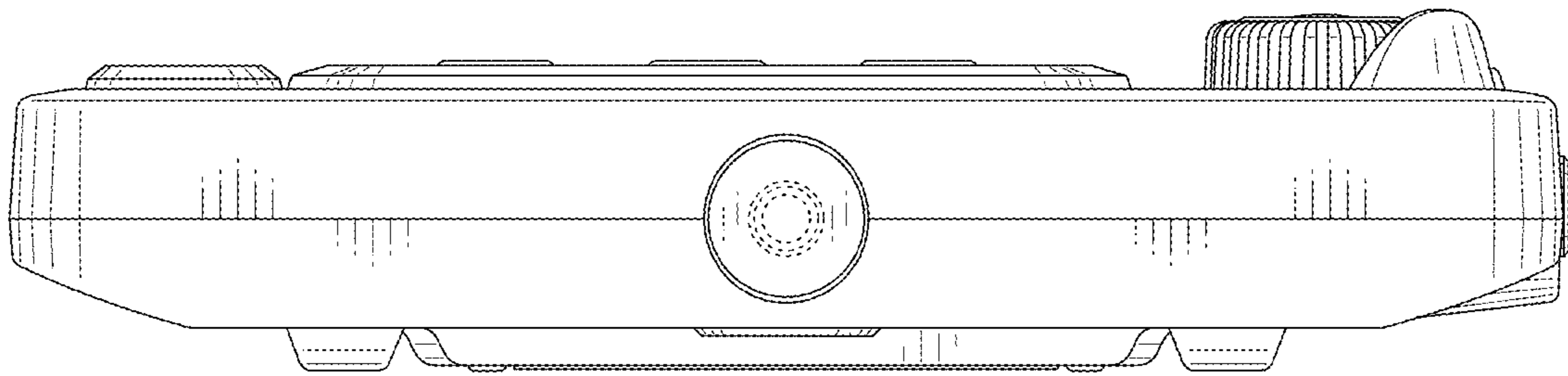


FIG. 5

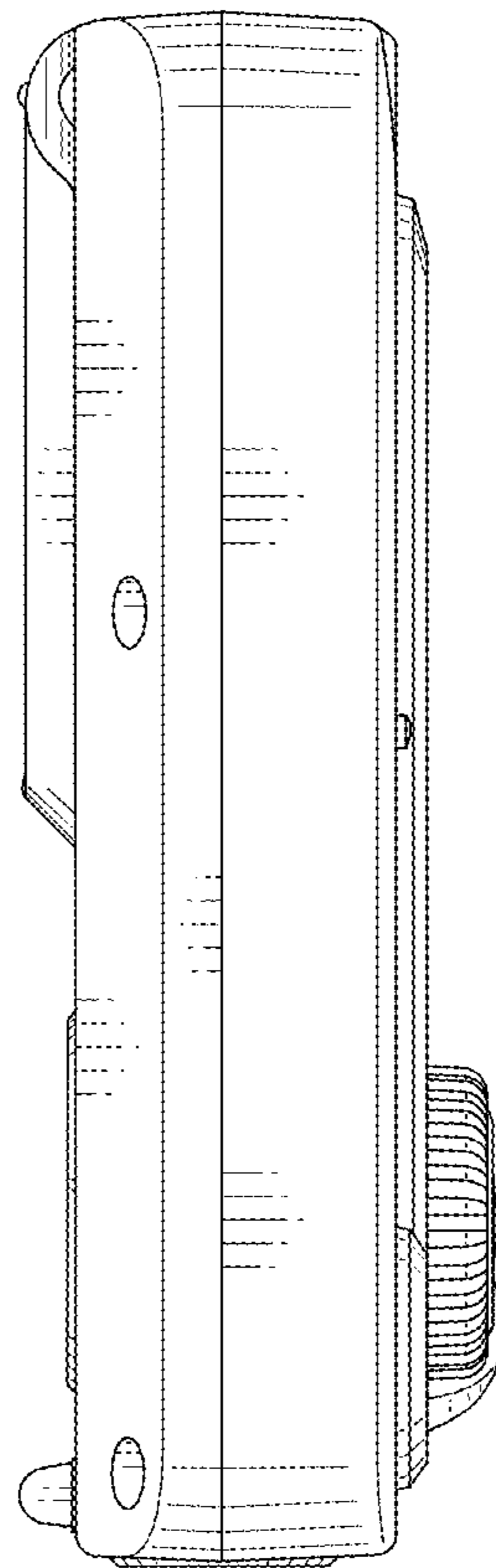


FIG. 6

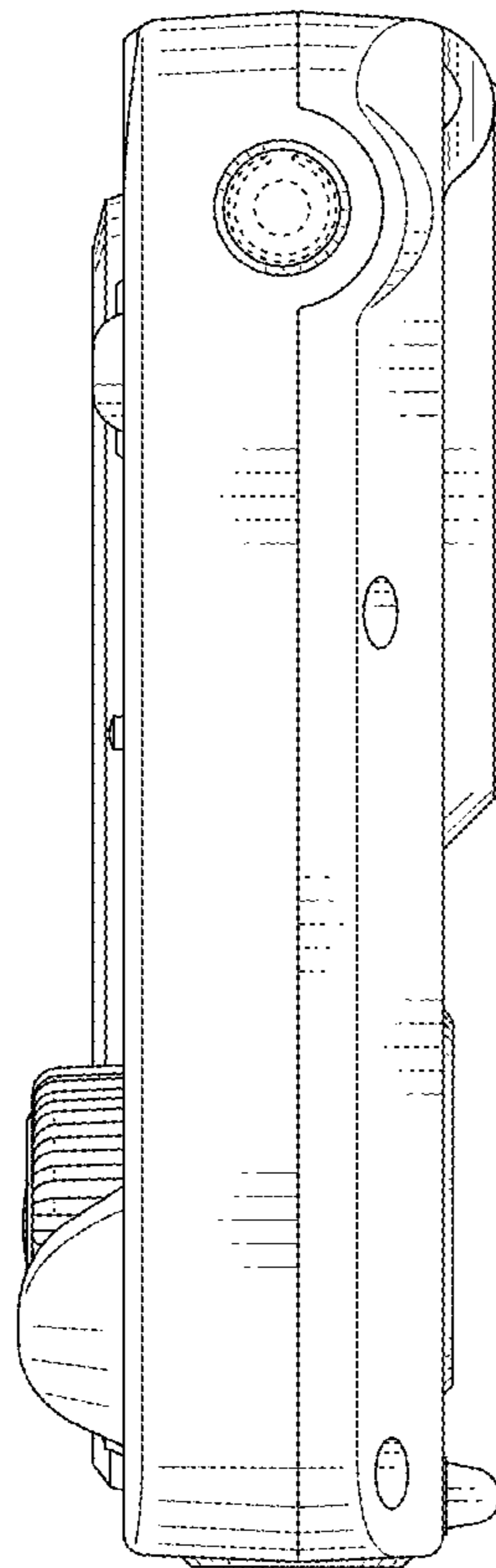


FIG. 7

