



US00D920412S

(12) **United States Design Patent**
Arnaud

(10) **Patent No.:** **US D920,412 S**

(45) **Date of Patent:** **** May 25, 2021**

(54) **TELESCOPE**

(71) Applicant: **UNISTELLAR**, Meyreuil (FR)

(72) Inventor: **Philippe Arnaud**, Paris (FR)

(**) Term: **15 Years**

(21) Appl. No.: **29/656,550**

(22) Filed: **Jul. 13, 2018**

(51) **LOC (13) Cl.** **16-06**

(52) **U.S. Cl.**
USPC **D16/132**

(58) **Field of Classification Search**
USPC D16/130–136; D22/100, 108, 109, 110
CPC G02B 23/00; G02B 23/02; G02B 23/12;
G02B 23/16; G02B 7/04
See application file for complete search history.

(56) **References Cited**

U.S. PATENT DOCUMENTS

D153,302 S *	4/1949	Miles	D16/132
D159,719 S *	8/1950	Davidson	D16/132
D253,113 S *	10/1979	Bressler	D16/132
D271,209 S *	11/1983	Feinbloom	D16/130
4,682,219 A *	7/1987	Arakawa	A61B 1/05 348/76

4,726,670 A *	2/1988	Sherrard	E06B 7/30 359/400
D513,274 S *	12/2005	Chen	D16/132
D637,638 S *	5/2011	Noda	D16/130
D638,045 S *	5/2011	Noda	D16/130
D646,705 S *	10/2011	Wu	D16/132
D685,832 S *	7/2013	Wunnicke	D16/132
D686,264 S *	7/2013	Hoshi	D16/132
D791,852 S *	7/2017	Harding	D16/132
D815,676 S *	4/2018	Perry	D16/132
D872,220 S *	1/2020	Vogl	D22/109

* cited by examiner

Primary Examiner — Holly E Thurman

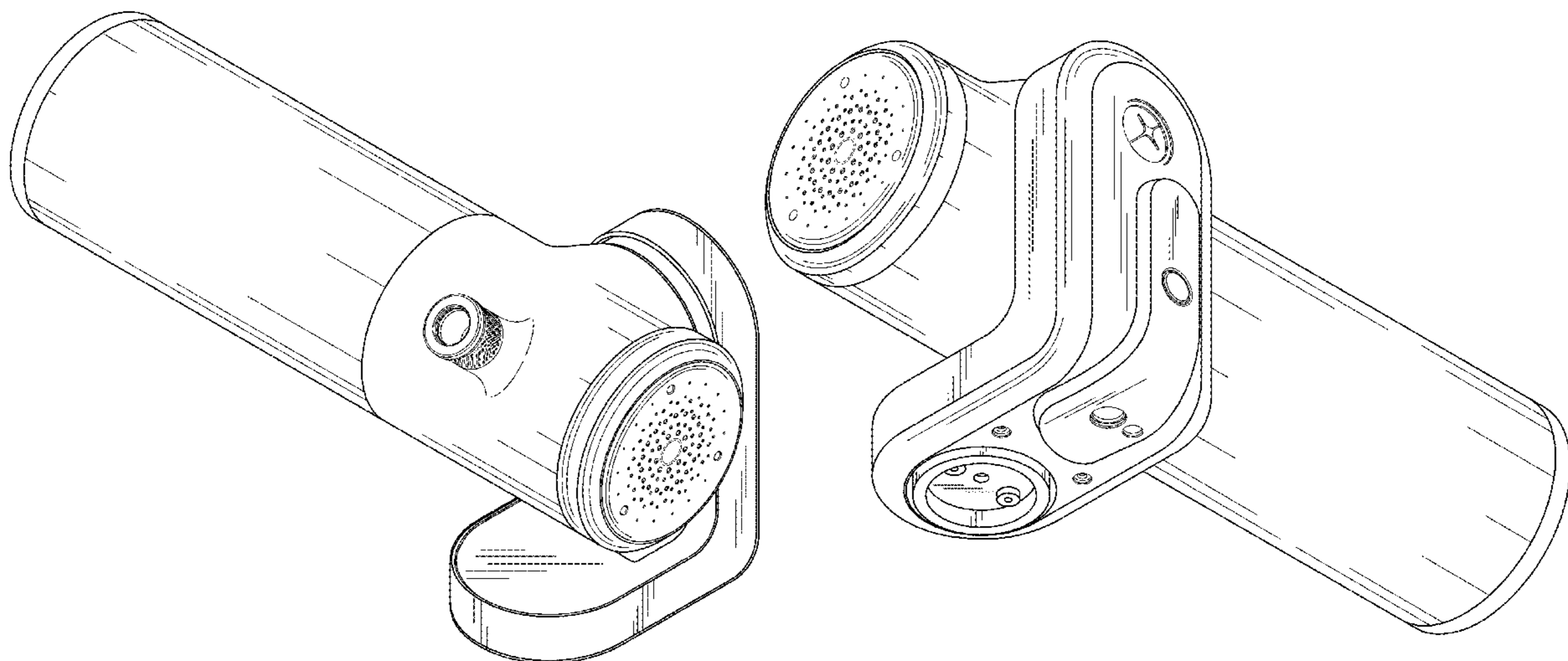
(57) **CLAIM**

The ornamental design for a telescope, as shown and described.

DESCRIPTION

FIG. 1 is a top perspective view of a telescope showing my new design.
FIG. 2 is a bottom perspective view thereof.
FIG. 3 is a top plan view thereof.
FIG. 4 is a bottom plan view thereof.
FIG. 5 is a right side elevational view thereof.
FIG. 6 is a left side elevational view thereof.
FIG. 7 is a front elevational view thereof; and,
FIG. 8 is a rear elevational view thereof.
The broken lines illustrate unclaimed portions that form no part of the claimed design.

1 Claim, 8 Drawing Sheets



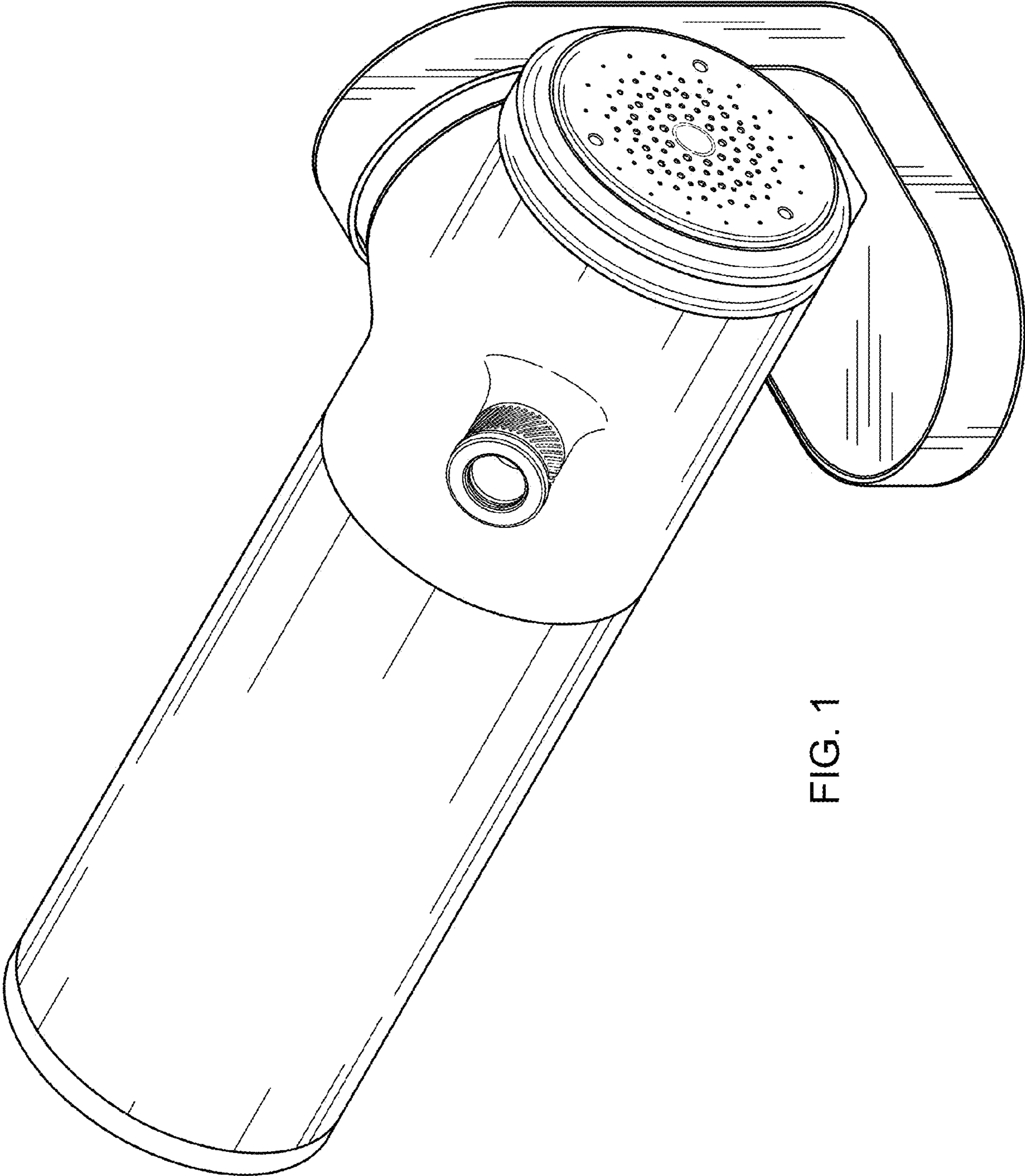


FIG. 1

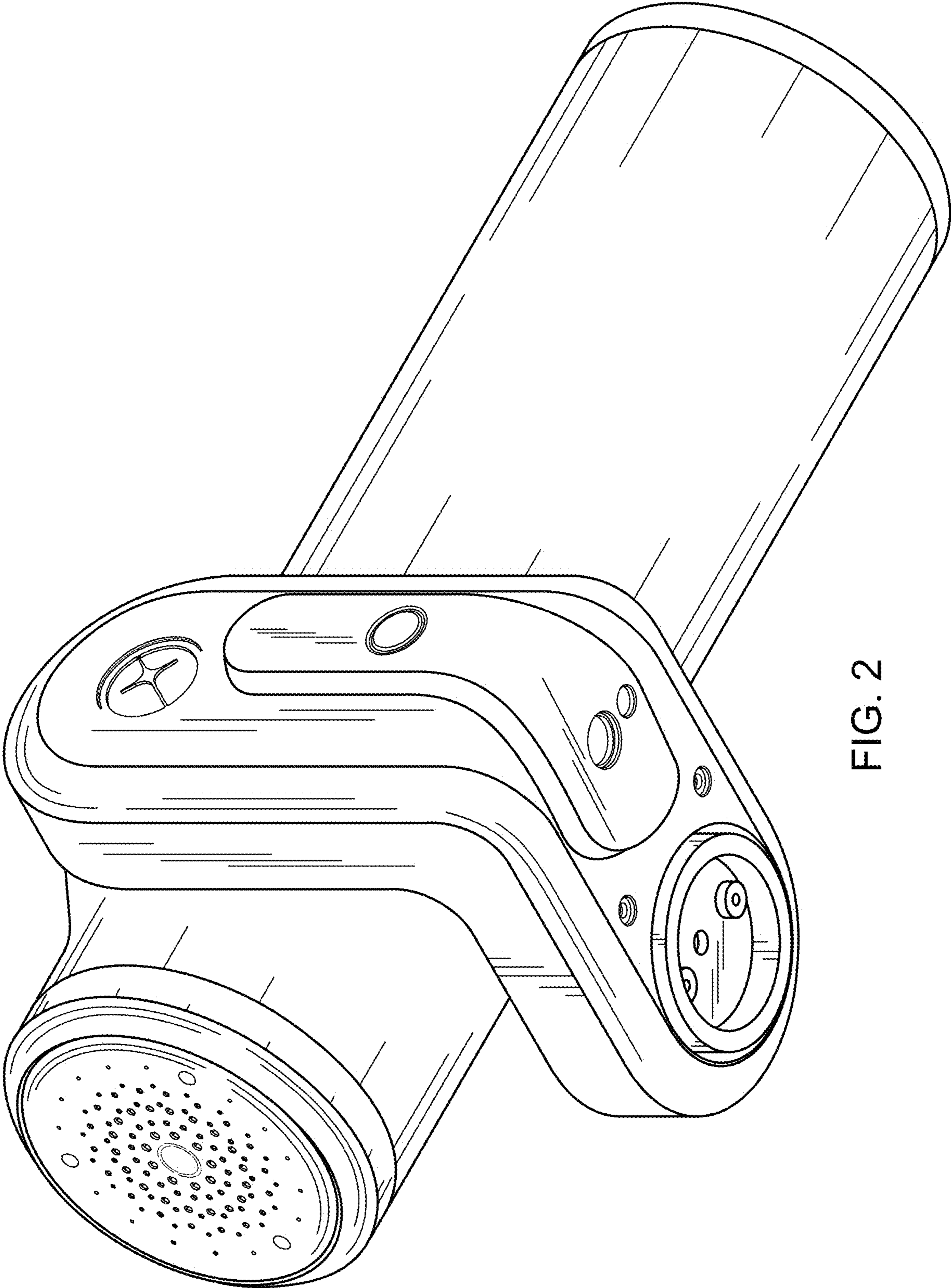


FIG. 2

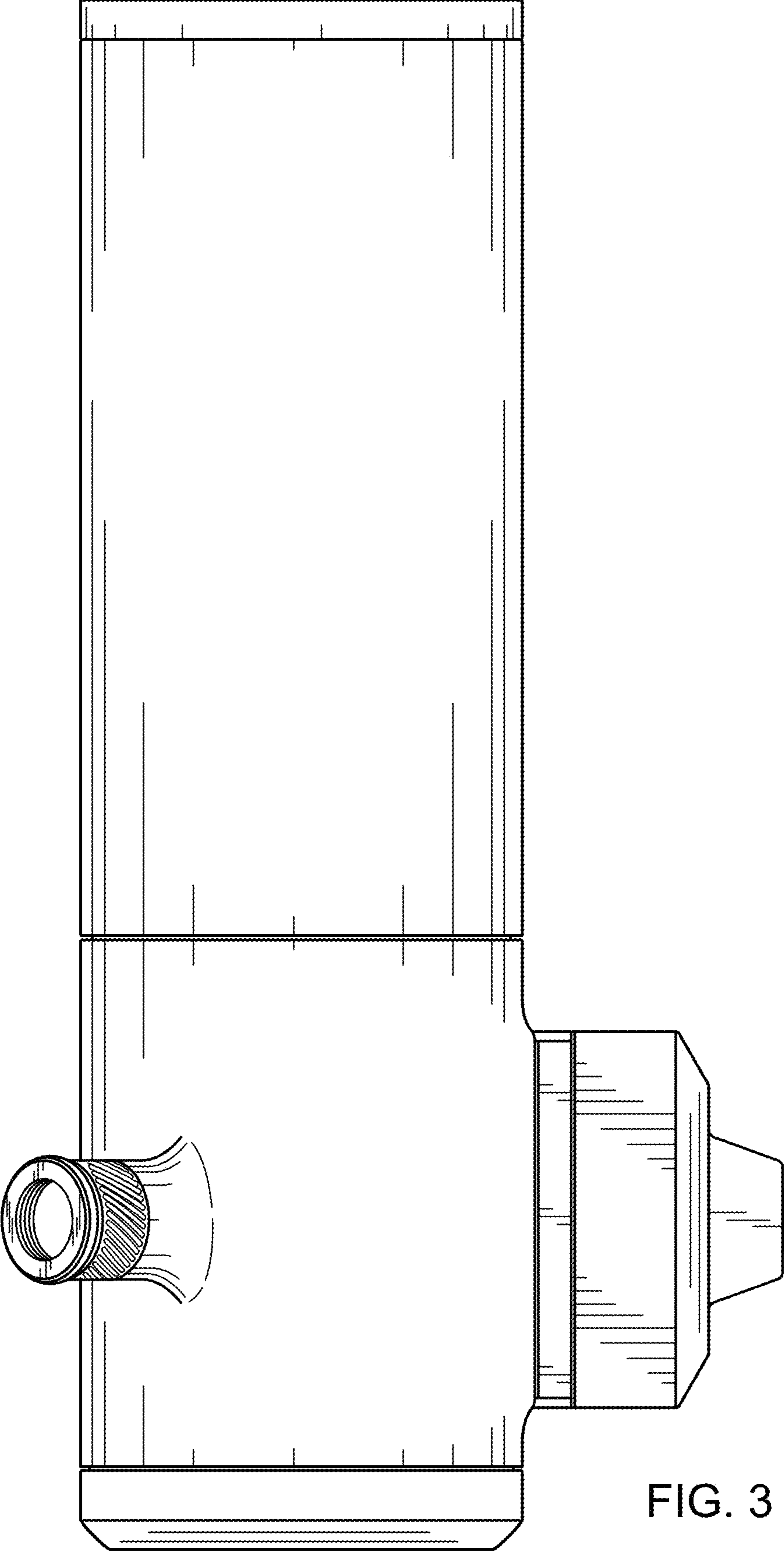


FIG. 3

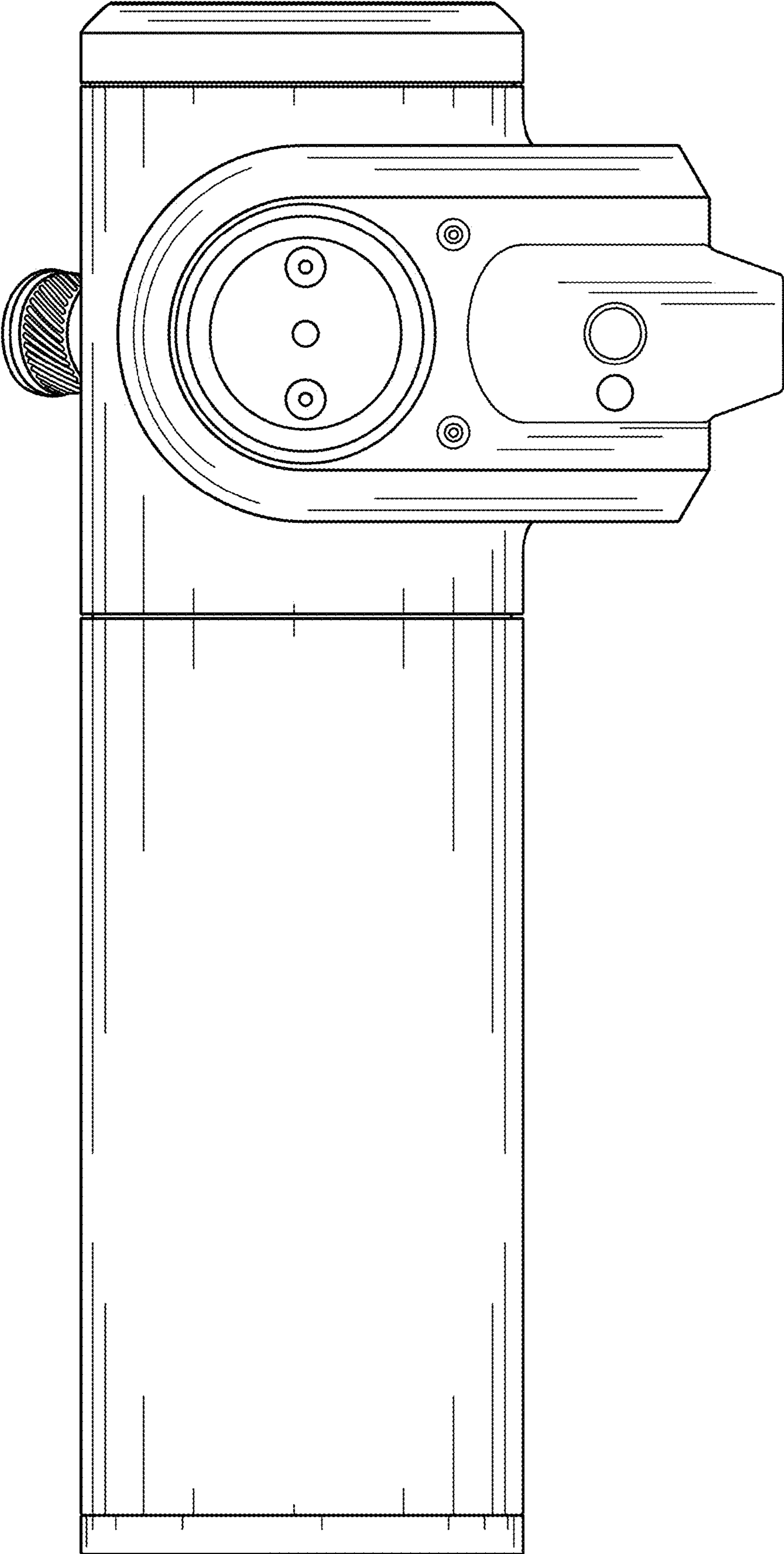


FIG. 4

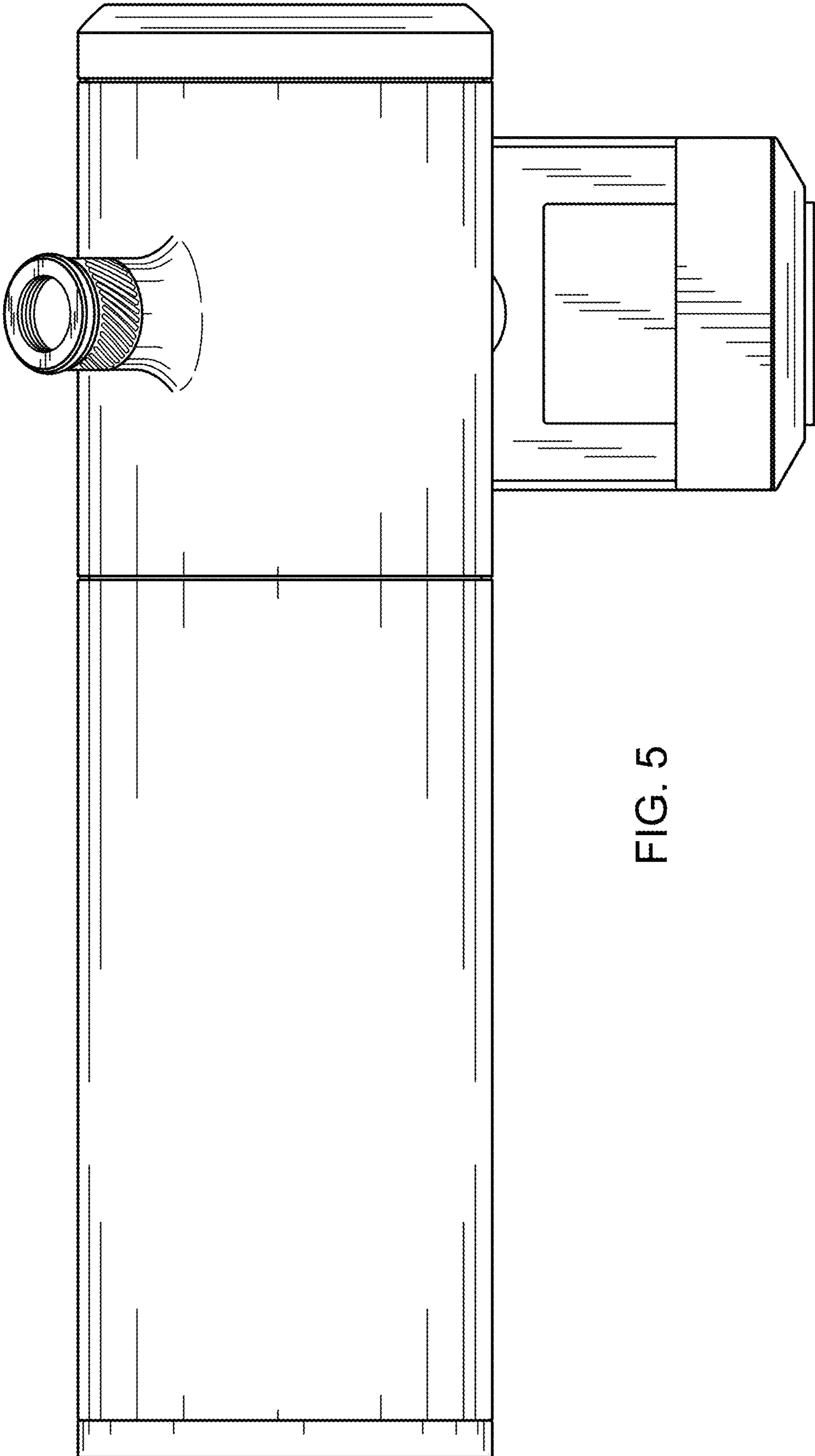


FIG. 5

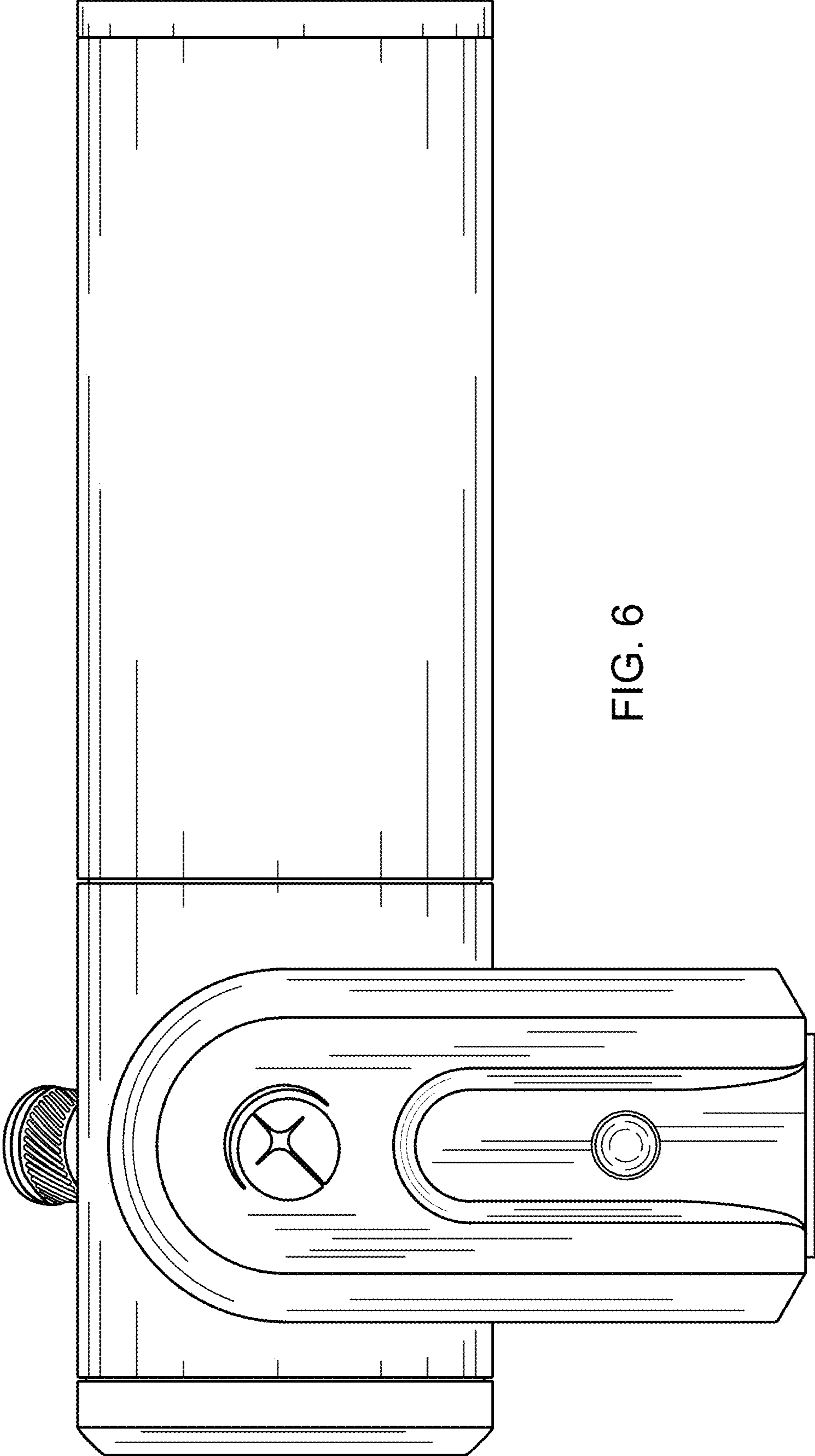


FIG. 6

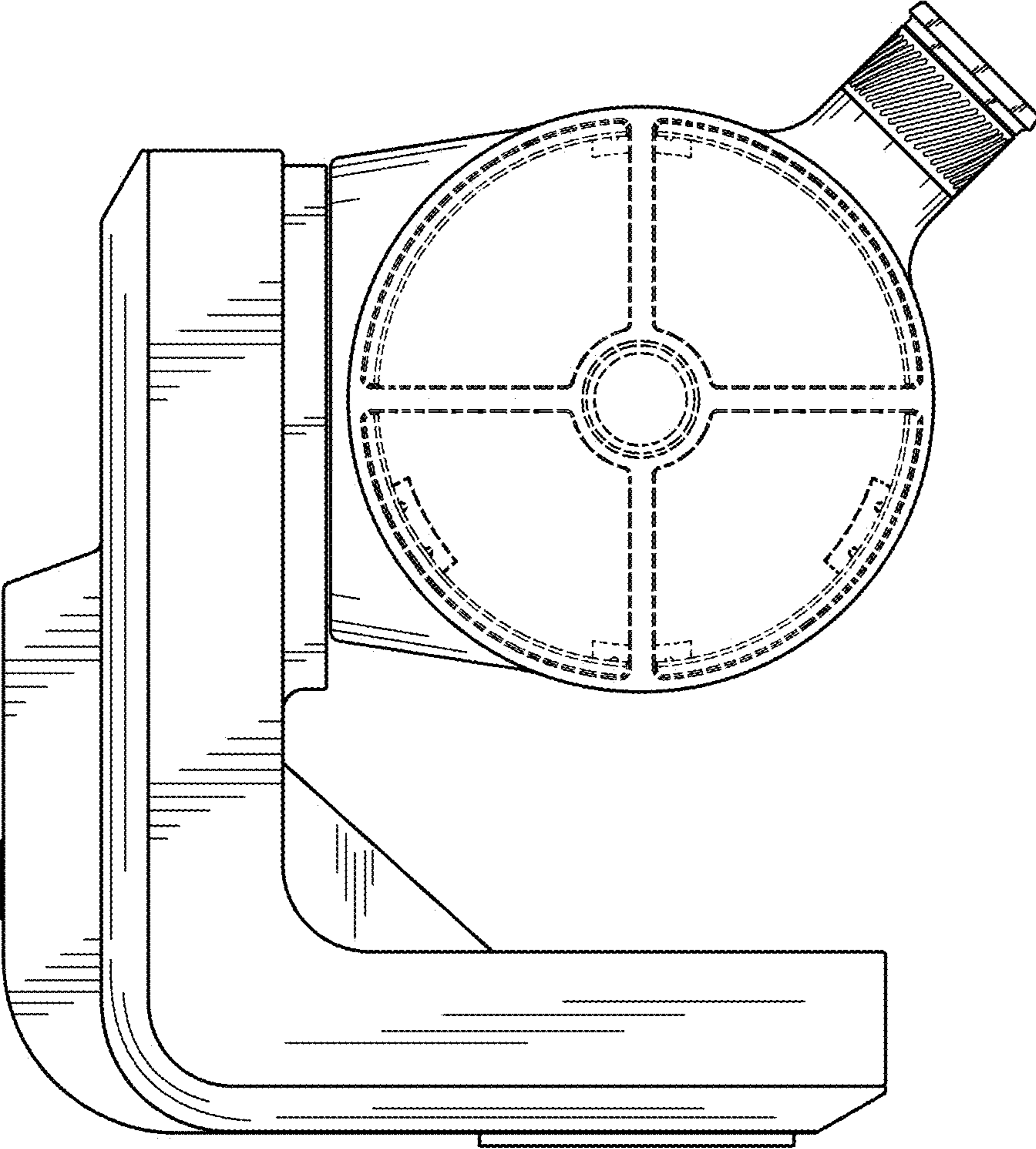


FIG. 7

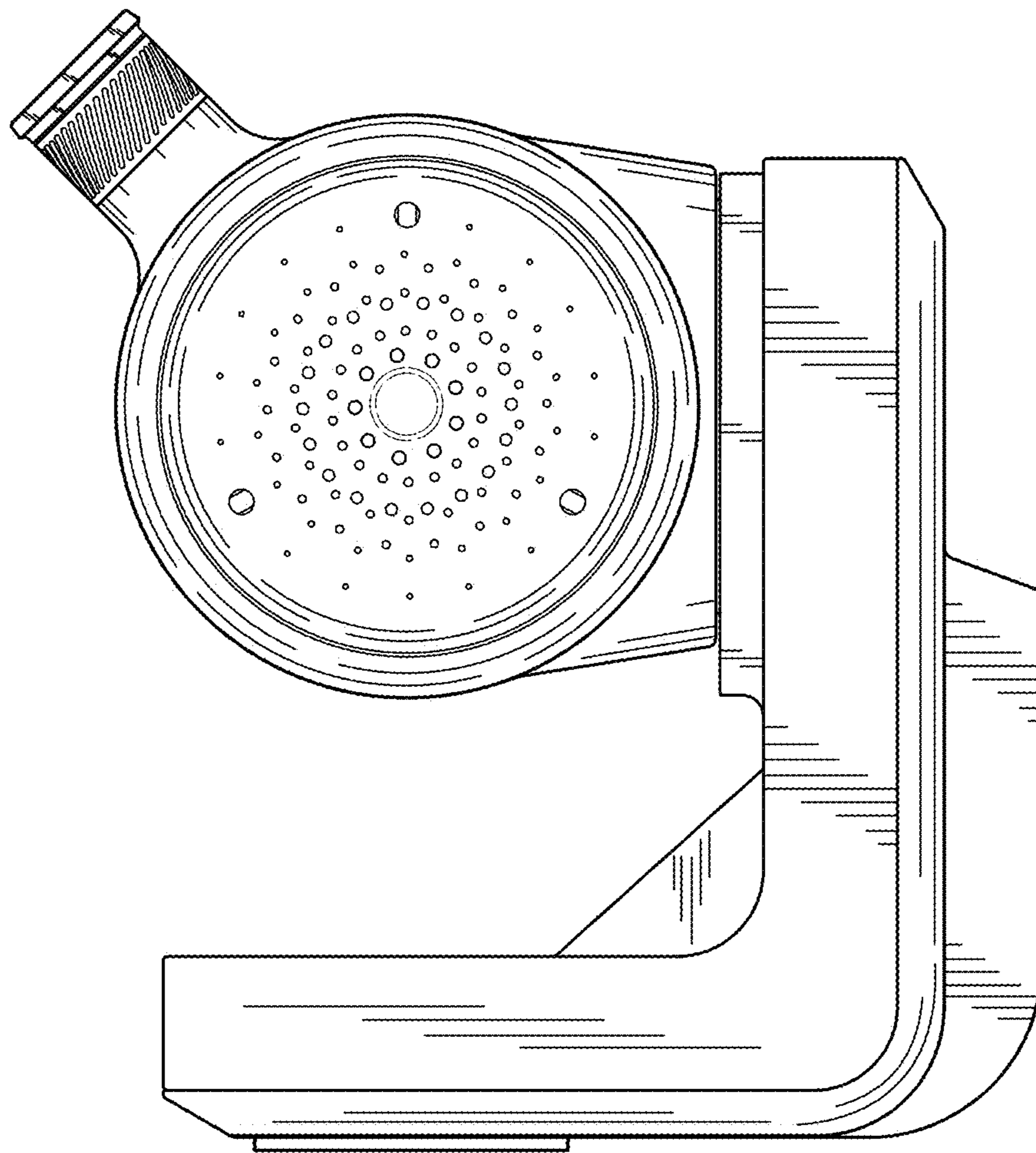


FIG. 8