



US00D920411S

(12) **United States Design Patent**
Zheng et al.

(10) **Patent No.:** **US D920,411 S**

(45) **Date of Patent:** **** May 25, 2021**

(54) **ROBOT**

(71) Applicant: **UBTECH ROBOTICS CORP LTD,**
Shenzhen (CN)

(72) Inventors: **Chengxuan Zheng,** Shenzhen (CN);
Libing Zhou, Shenzhen (CN); **Wenjin**
Ye, Shenzhen (CN); **Youjun Xiong,**
Shenzhen (CN)

(73) Assignee: **UBTECH ROBOTICS CORP LTD,**
Shenzhen (CN)

(**) Term: **15 Years**

(21) Appl. No.: **29/736,275**

(22) Filed: **May 29, 2020**

(51) **LOC (13) Cl.** **15-99**

(52) **U.S. Cl.**
USPC **D15/199**

(58) **Field of Classification Search**
USPC D15/199; D21/578-583, 621, 622;
D32/21; D34/34
CPC B25J 5/007; B25J 11/00; B25J 11/008;
B62D 57/024; G06N 3/008; Y10S 901/01
See application file for complete search history.

(56) **References Cited**

U.S. PATENT DOCUMENTS

D549,756 S *	8/2007	Park	D15/199
D559,288 S *	1/2008	Matsuda	D15/199
D579,035 S *	10/2008	Kim	B25J 11/008
				D15/199
D810,167 S *	2/2018	Yang	D15/199
D811,458 S *	2/2018	Wang	D15/199
D813,284 S *	3/2018	Wei	D15/199
D813,285 S *	3/2018	Wei	D15/199
D817,375 S *	5/2018	Deyle	D15/199
D822,770 S *	7/2018	Hsiao	D21/578
D826,302 S *	8/2018	Tsukamoto	D15/199

D829,250 S *	9/2018	Zilbershtein	D15/199
D829,252 S *	9/2018	Wang	D15/199
D835,693 S *	12/2018	Lee	D15/199
D840,451 S *	2/2019	Yoo	D15/199
D840,453 S *	2/2019	Yoo	D15/199
D849,813 S *	5/2019	Sutherland	D15/199
D851,148 S *	6/2019	Wang	D15/199
D855,673 S *	8/2019	Sutherland	D15/199
D891,496 S *	7/2020	Okawa	D15/199
2017/0136631 A1 *	5/2017	Li	G06N 20/00
2017/0326724 A1 *	11/2017	Wei	G06F 3/0412
2019/0126468 A1 *	5/2019	Haddadin	B25J 9/0087

(Continued)

FOREIGN PATENT DOCUMENTS

JP	62179003 A *	8/1987	
JP	2005242409 A *	9/2005	
WO	WO-2017198208 A1 *	11/2017 A47L 11/4061

Primary Examiner — Patricia A Palasik

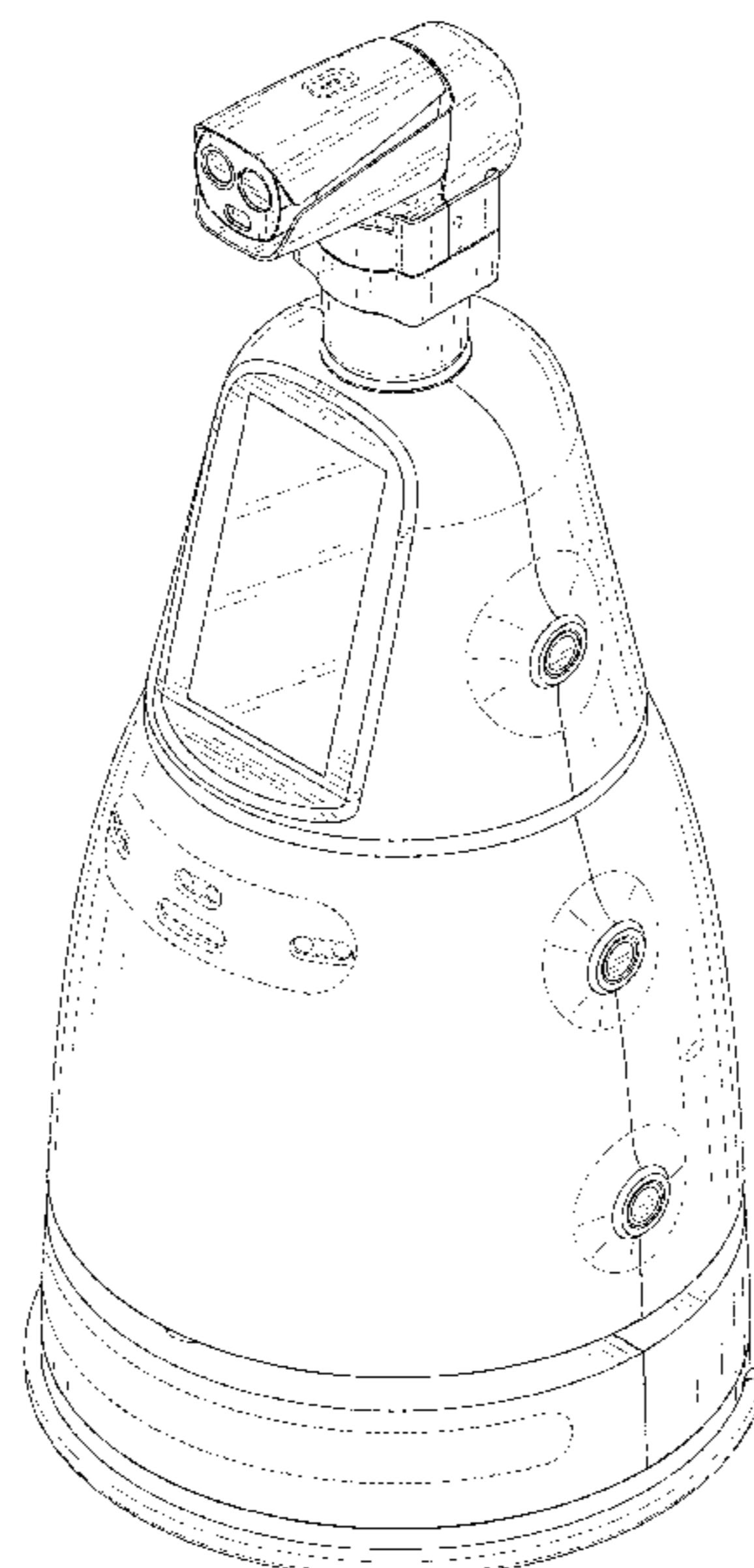
(57) **CLAIM**

The ornamental design for a robot, as shown and described.

DESCRIPTION

FIG. 1 is a first perspective view of a robot showing the claimed design in accordance with the present disclosure; FIG. 2 is a second perspective view thereof; FIG. 3 is a front elevational view thereof; FIG. 4 is a rear elevational view thereof; FIG. 5 is a left side elevational view thereof; FIG. 6 is a right side elevational view thereof; FIG. 7 is a top plan view thereof; FIG. 8 is a bottom plan view thereof; and, FIG. 9 is a perspective view of the robot, wherein a neck of the robot is in an extended position. The broken lines in the Figures are for the purpose of illustrating portions of the article that form no part of the claimed design.

1 Claim, 9 Drawing Sheets



(56)

References Cited

U.S. PATENT DOCUMENTS

2019/0381667	A1 *	12/2019	Lee	B25J 9/1661
2019/0381673	A1 *	12/2019	Lee	B25J 9/1666
2020/0009721	A1 *	1/2020	Youn	G03B 21/16
2020/0009740	A1 *	1/2020	Youn	B25J 9/0009
2020/0030963	A1 *	1/2020	Youn	B25J 11/0005
2020/0406448	A1 *	12/2020	Luo	B25J 11/008

* cited by examiner

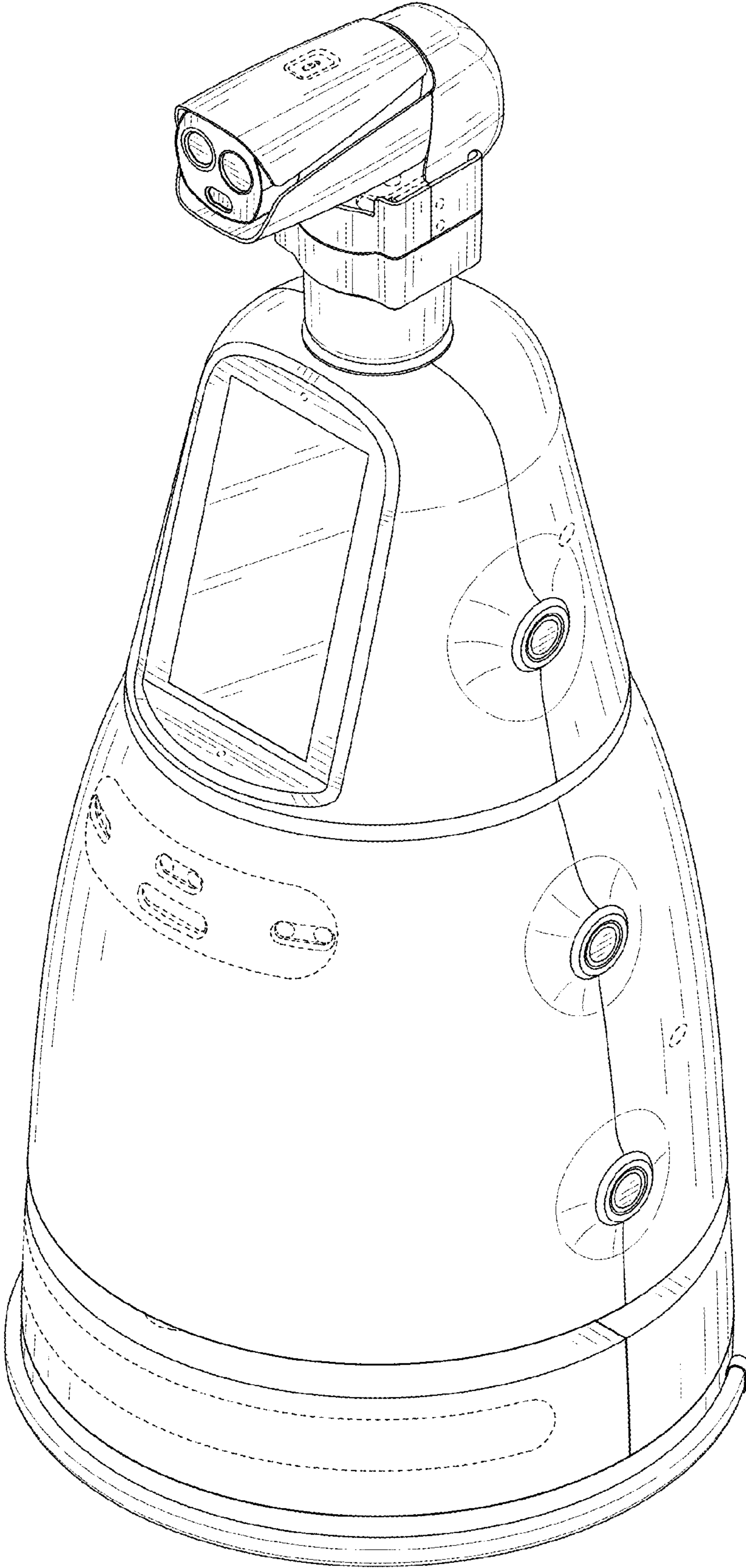


FIG. 1

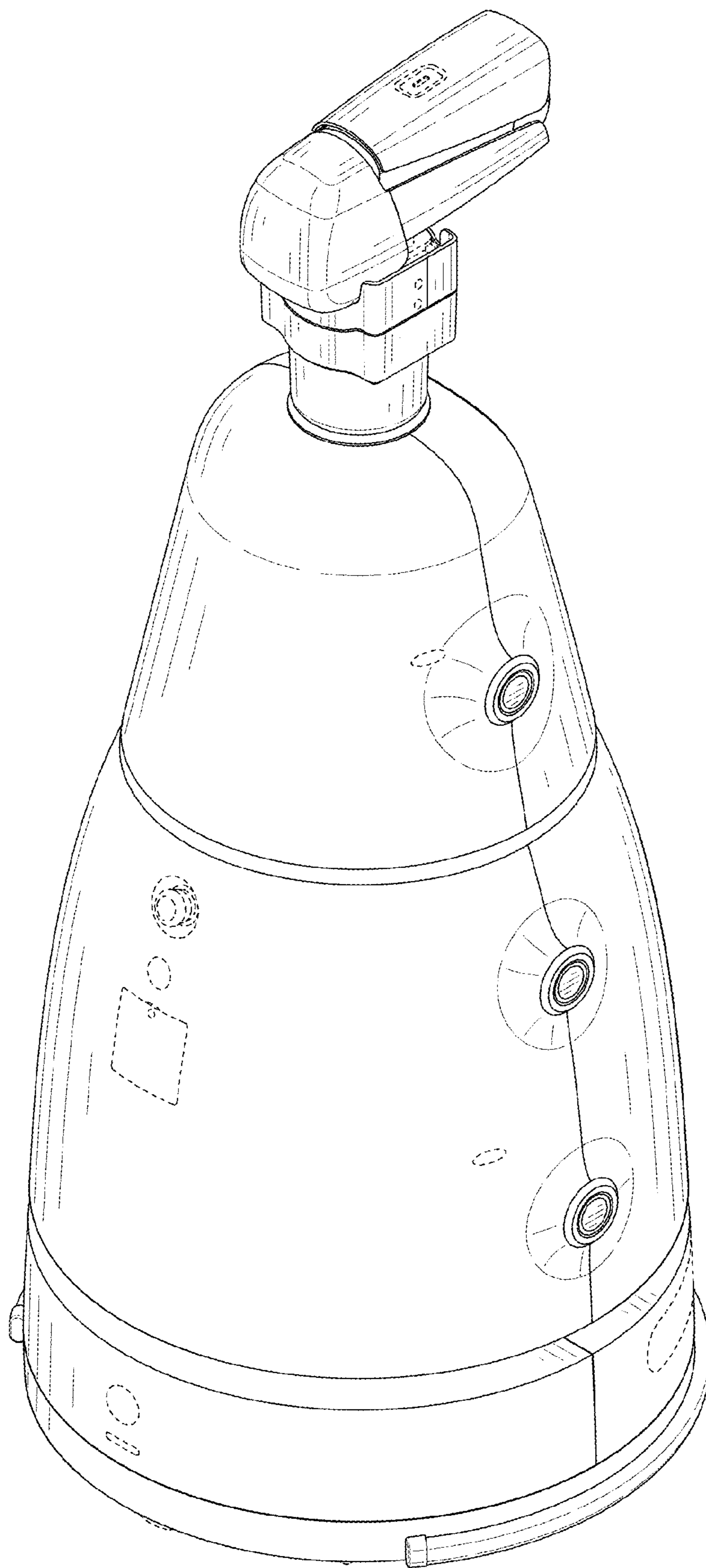


FIG. 2

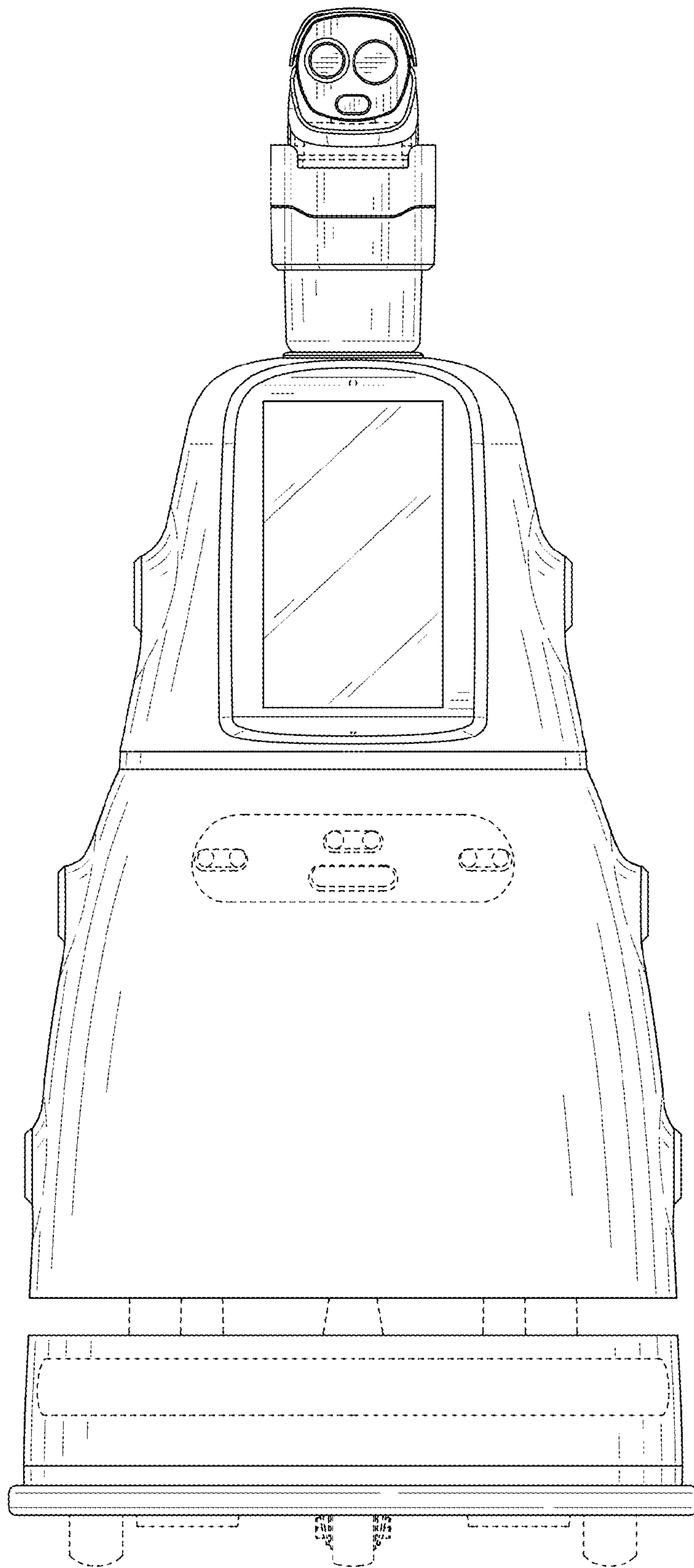


FIG. 3

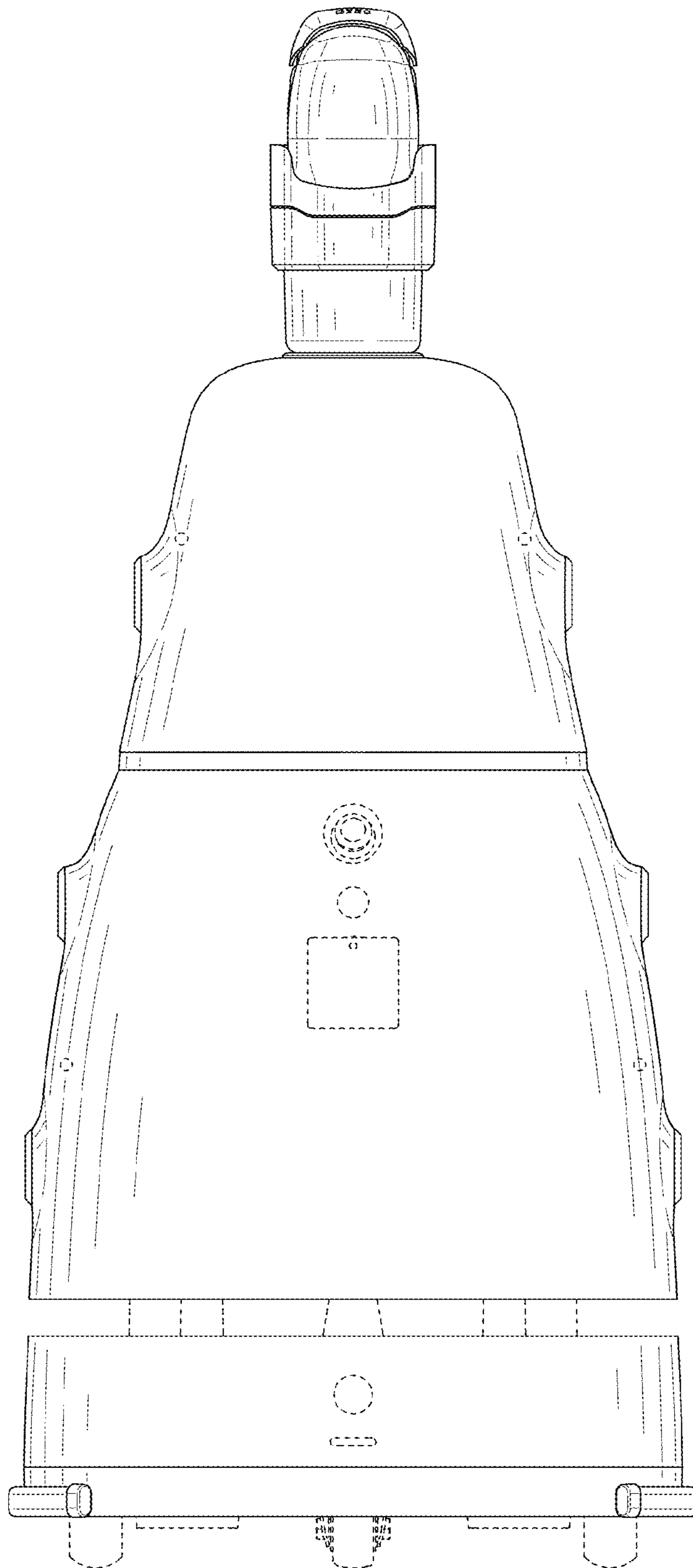


FIG. 4

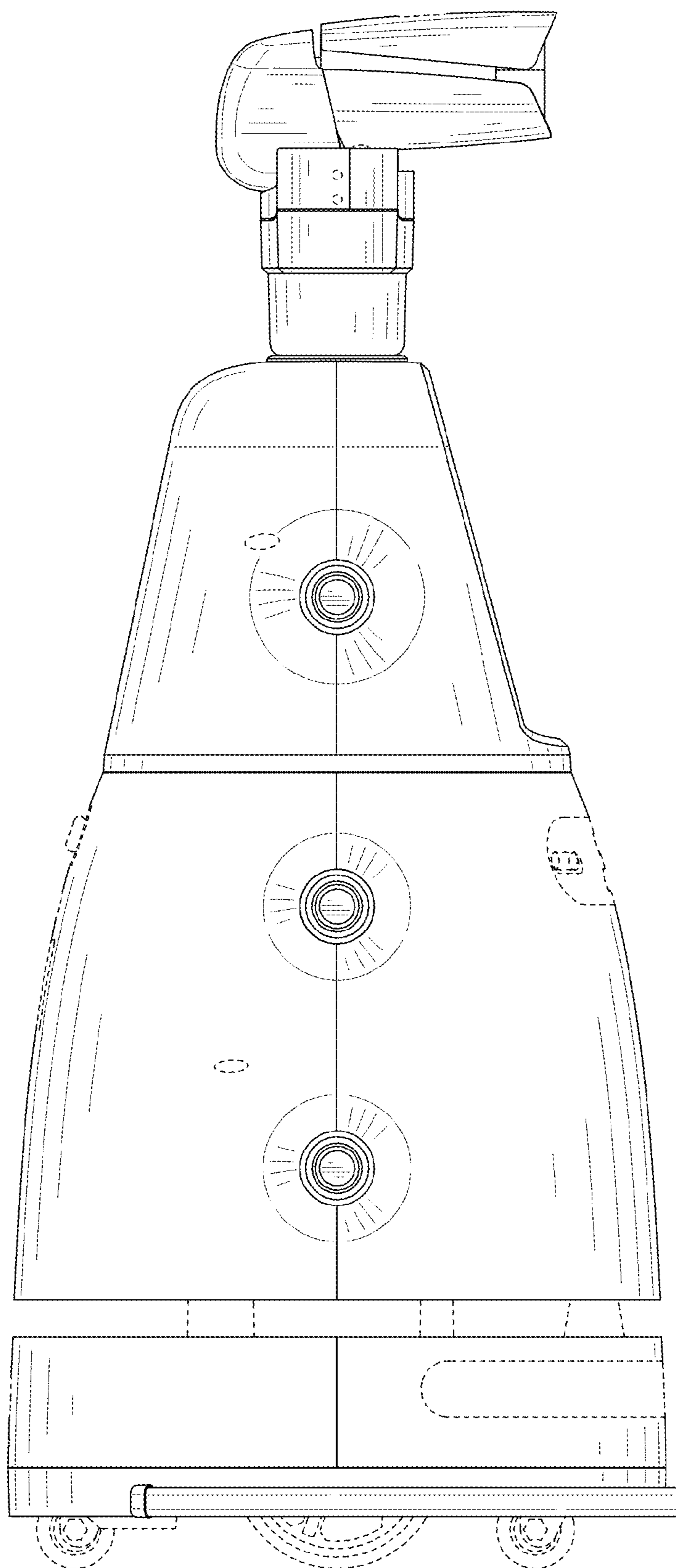


FIG. 5

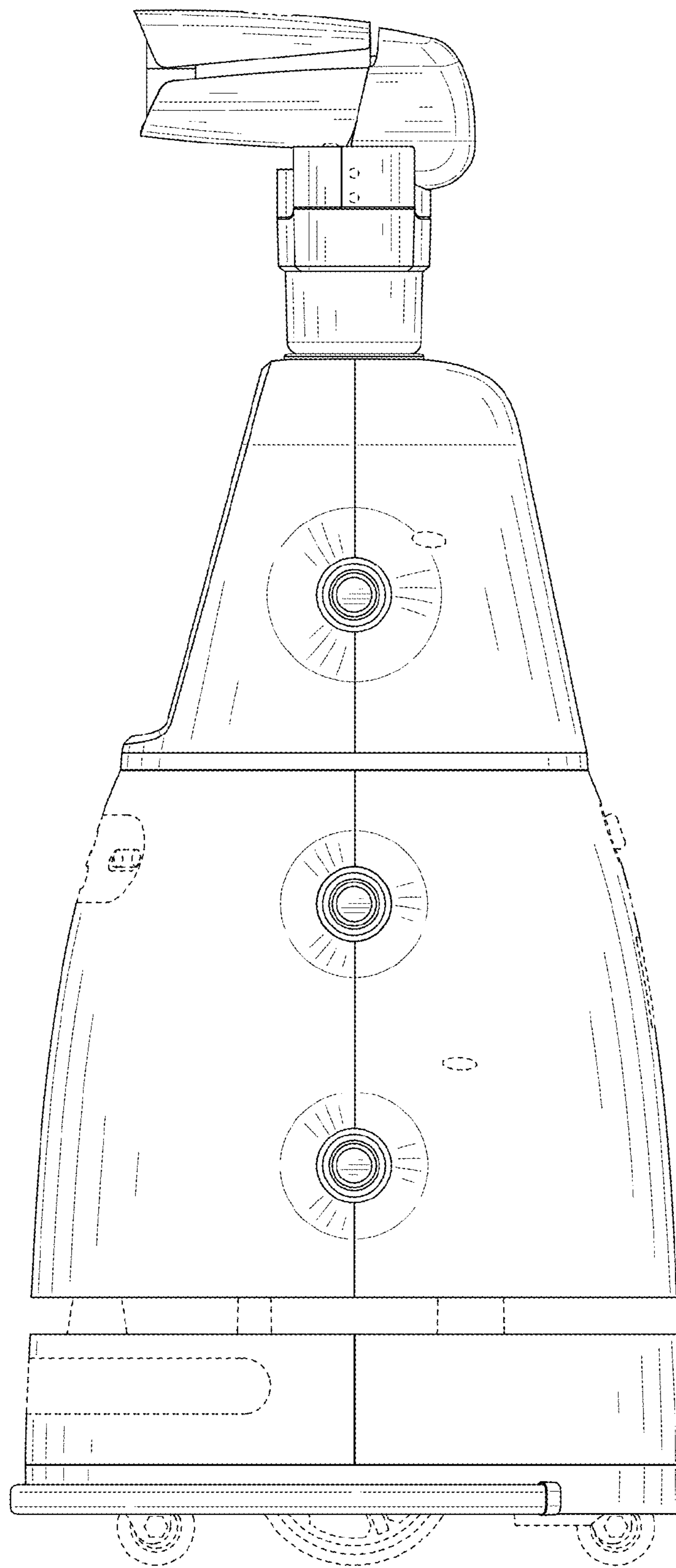


FIG. 6

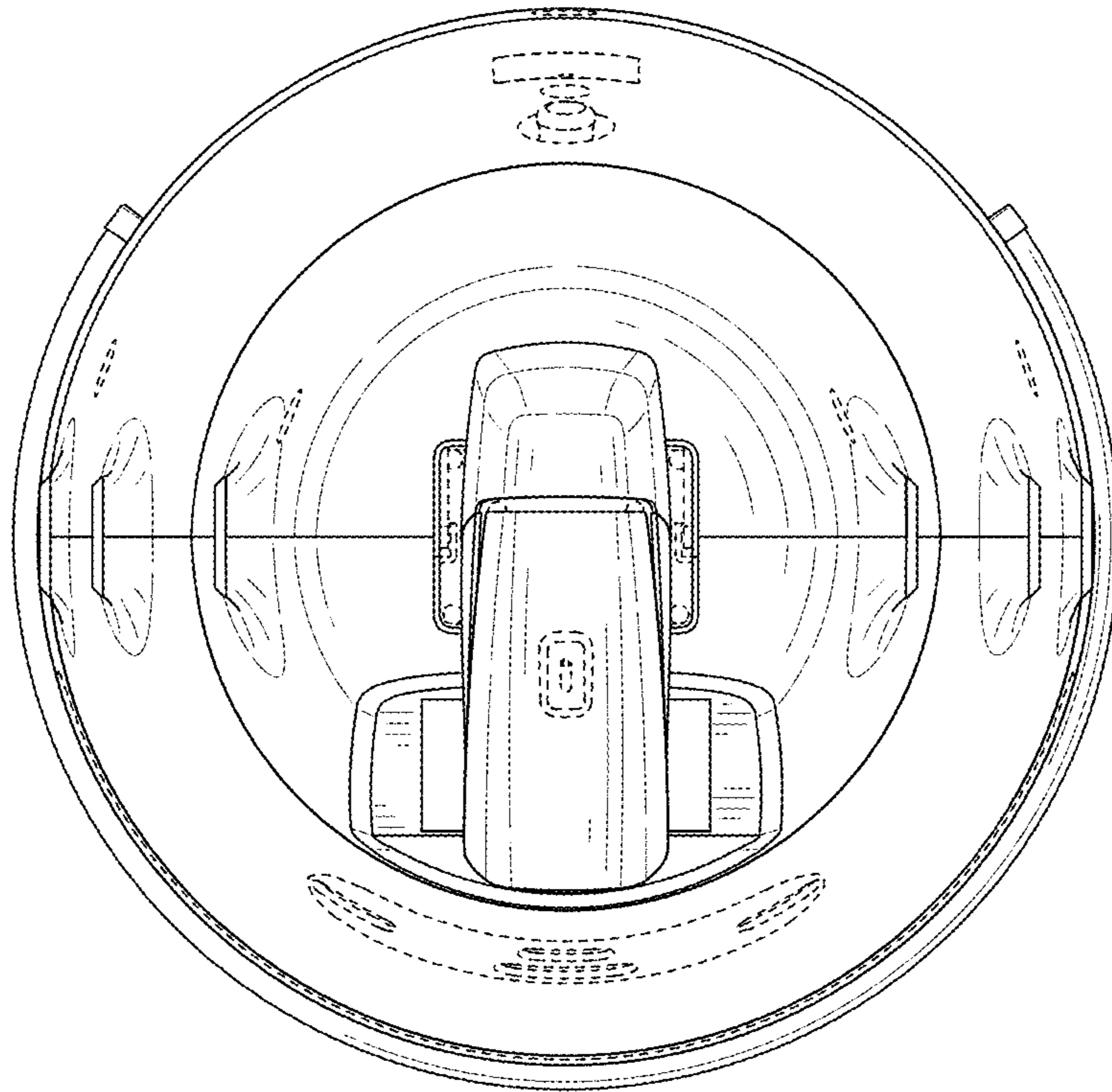


FIG. 7

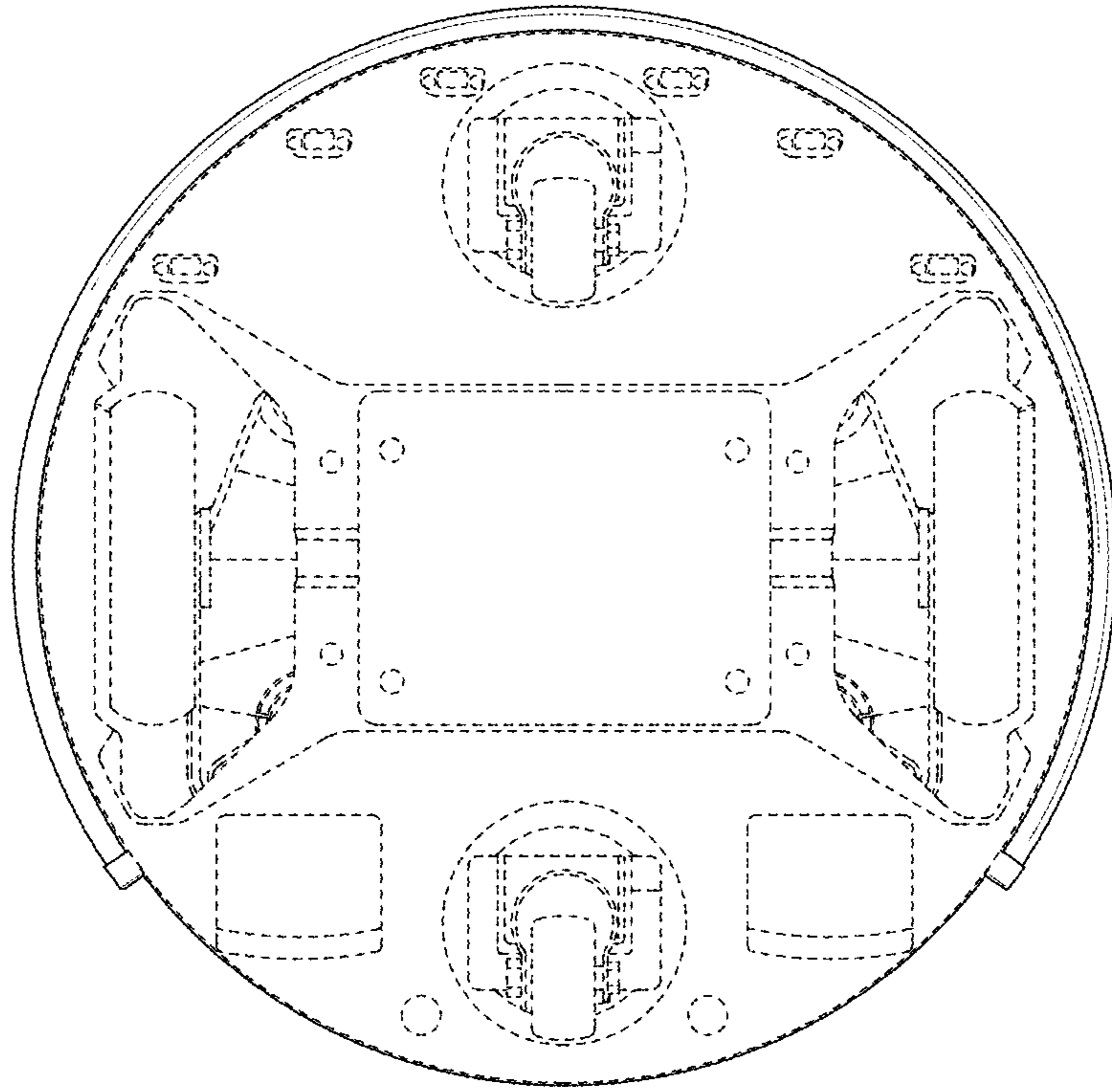


FIG. 8

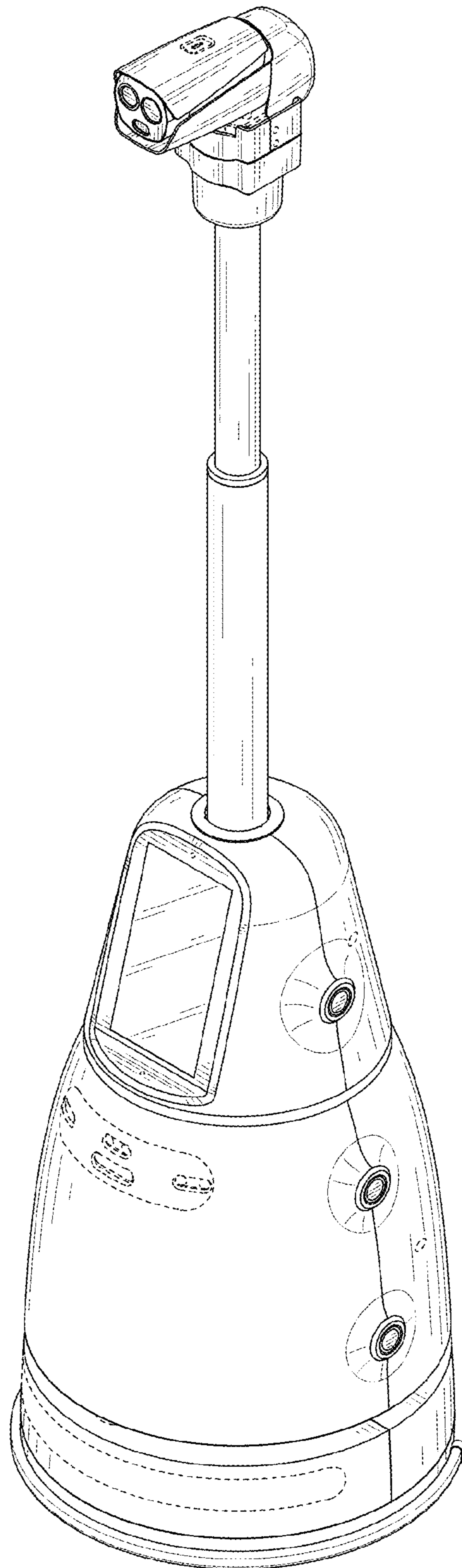


FIG. 9