



US00D920409S

(12) **United States Design Patent** (10) **Patent No.:** **US D920,409 S**
Liao (45) **Date of Patent:** **** May 25, 2021**

(54) **OIL INJECTOR** 4,567,784 A * 2/1986 Hambric F16H 1/22
184/13.1
(71) Applicant: **LIH YANN INDUSTRIAL CO., LTD.,** 5,706,873 A * 1/1998 Benoit F16N 31/002
Taichung (TW) 137/513.7
(72) Inventor: **Po-Lin Liao, Taichung (TW)** D396,868 S * 8/1998 Pingel D15/151
D429,264 S * 8/2000 Lindstrand D15/150
6,244,309 B1 * 6/2001 Martin B65B 39/004
141/286
(73) Assignee: **Lih Yann Industrial Co., Ltd.,** D517,579 S * 3/2006 Frank D15/150
Taichung (TW) D752,123 S * 3/2016 Liao D15/150
9,815,038 B2 * 11/2017 Leach B01F 1/0027
(**) Term: **15 Years** 2010/0213217 A1 * 8/2010 Strong B05C 17/015
222/327

(21) Appl. No.: **29/713,436**

(22) Filed: **Nov. 15, 2019**

(30) **Foreign Application Priority Data**

Jul. 10, 2019 (TW) 108304144

(51) **LOC (13) Cl.** **15-09**

(52) **U.S. Cl.**
USPC **D15/150**

(58) **Field of Classification Search**

USPC D15/150, 151, 152
CPC B01F 15/026; B01F 15/0243; B01F 15/0479;
B01F 15/00123; B01F 15/00142; B29B
7/94; F16N 11/00; F16N 2210/12
See application file for complete search history.

(56) **References Cited**

U.S. PATENT DOCUMENTS

940,572 A * 11/1909 Agner B05C 17/01
222/391
982,661 A * 1/1911 Dickens B65D 83/0005
222/387
1,434,117 A * 10/1922 Hazard F16N 3/12
222/386
1,583,533 A * 5/1926 Deming F16N 3/12
222/386
3,231,149 A * 1/1966 Yuza A23G 3/28
222/324

(Continued)

Primary Examiner — Patricia A Palasik

(74) *Attorney, Agent, or Firm* — Muncy, Geissler, Olds & Lowe, P.C.

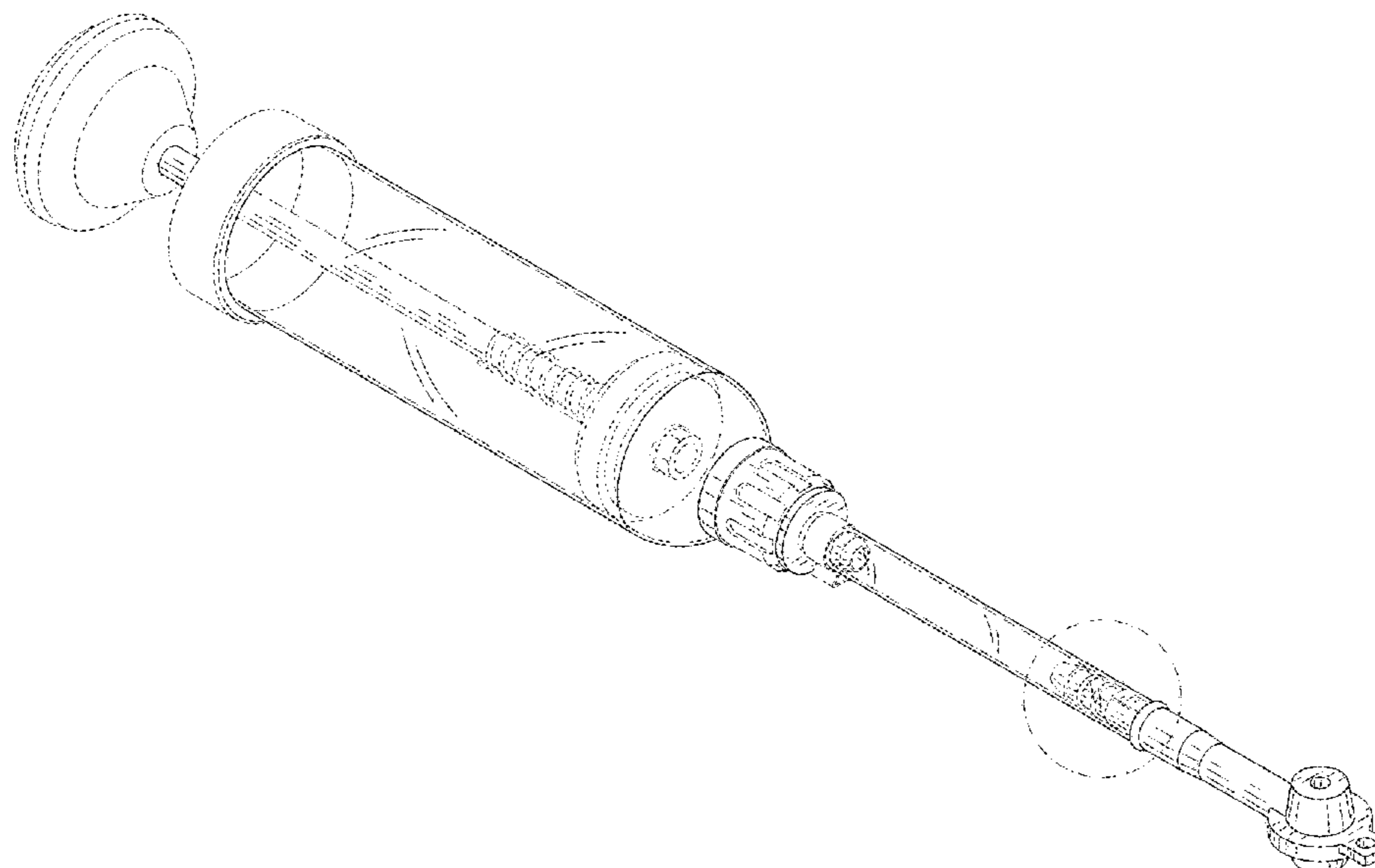
(57) **CLAIM**

I claim the ornamental design for an oil injector, as shown and described.

DESCRIPTION

FIG. 1 is a top, front, right perspective view of an oil injector showing my new design;
FIG. 2 is a front elevational view thereof;
FIG. 3 is a rear elevational view thereof;
FIG. 4 is a left side view thereof;
FIG. 5 is a right side view thereof;
FIG. 6 is a top plan view thereof;
FIG. 7 is a bottom plan view thereof;
FIG. 8 is an enlarged view of the circled area in FIG. 1;
FIG. 9 is an enlarged of the circled area in view of FIG. 2;
FIG. 10 is a top, front, right perspective view showing the oil injector in use; and,
FIG. 11 is another top, front, right perspective view showing the oil injector in use.
The broken lines in the drawings illustrate portions of the oil injector which form no part of the claimed design.

1 Claim, 9 Drawing Sheets



(56)

References Cited

U.S. PATENT DOCUMENTS

2011/0158738 A1* 6/2011 Bainbridge B43K 8/12
401/206
2013/0045523 A1* 2/2013 Leach B01F 1/0027
435/214
2014/0190772 A1* 7/2014 Noordover F16N 11/04
184/14
2014/0367409 A1* 12/2014 Digregorio B65D 83/0005
222/389
2015/0128873 A1* 5/2015 Prescott A01K 13/003
119/665
2015/0144655 A1* 5/2015 Li B01F 15/0237
222/32
2015/0192246 A1* 7/2015 Patel B67D 3/0032
184/14
2016/0074819 A1* 3/2016 Boticki B01F 3/0865
366/152.2

* cited by examiner

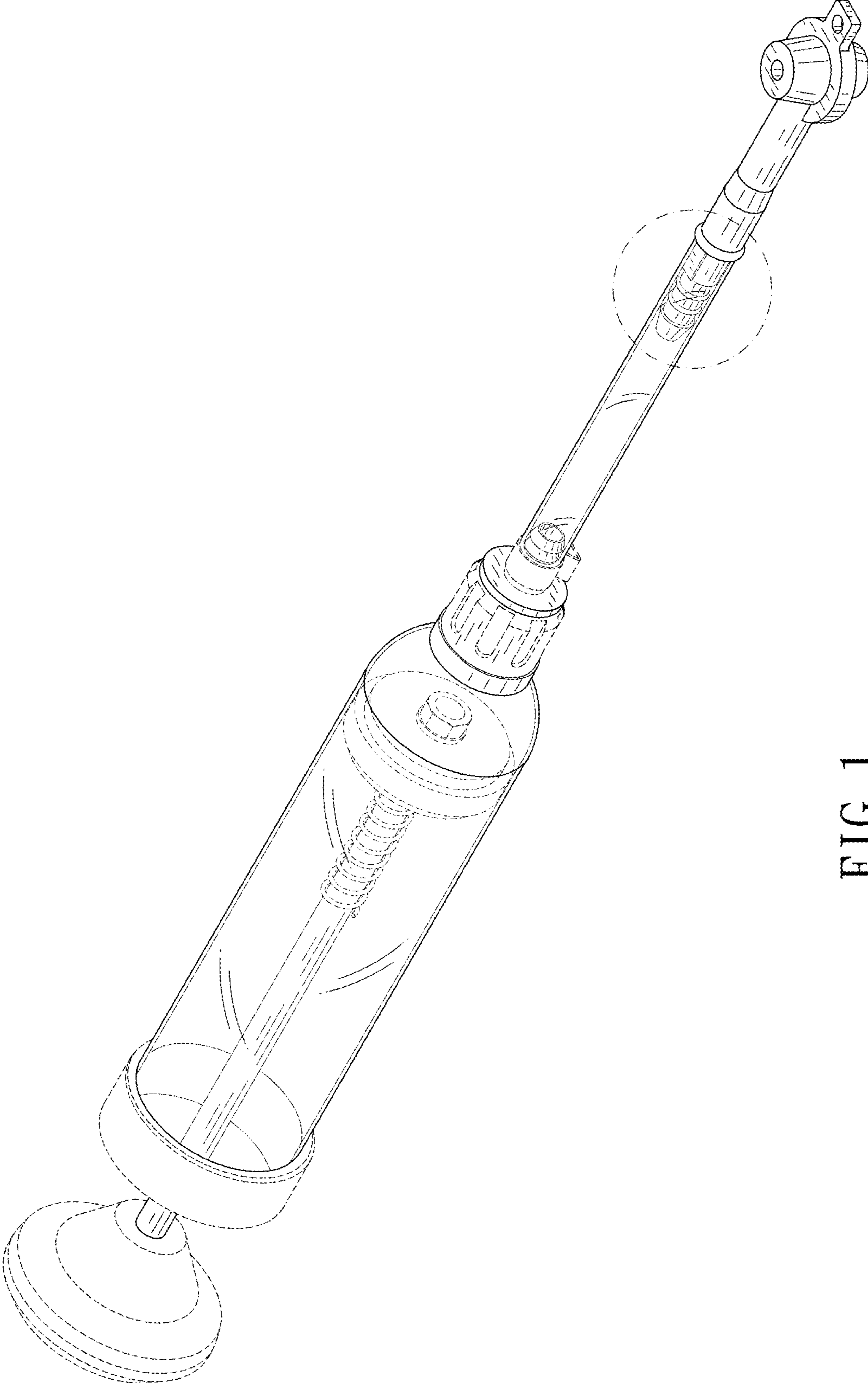


FIG. 1

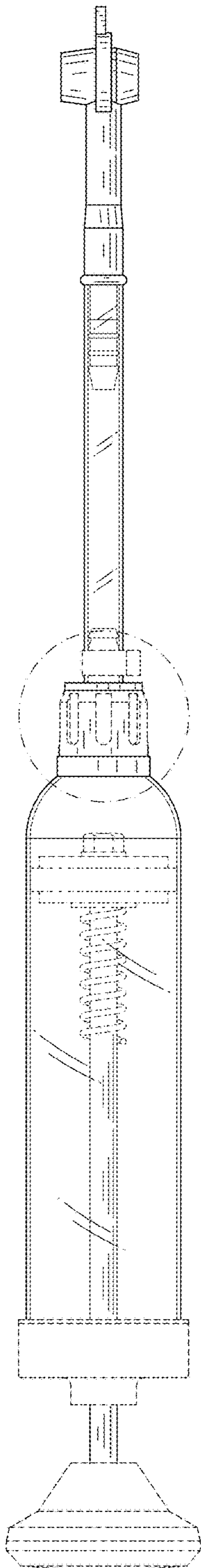


FIG. 2

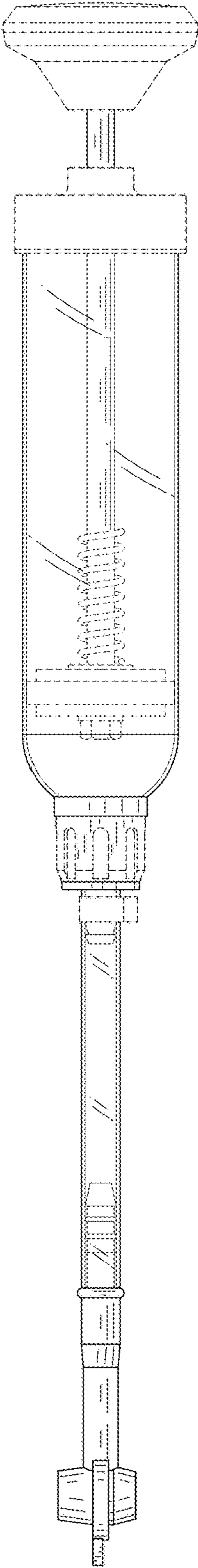


FIG. 3

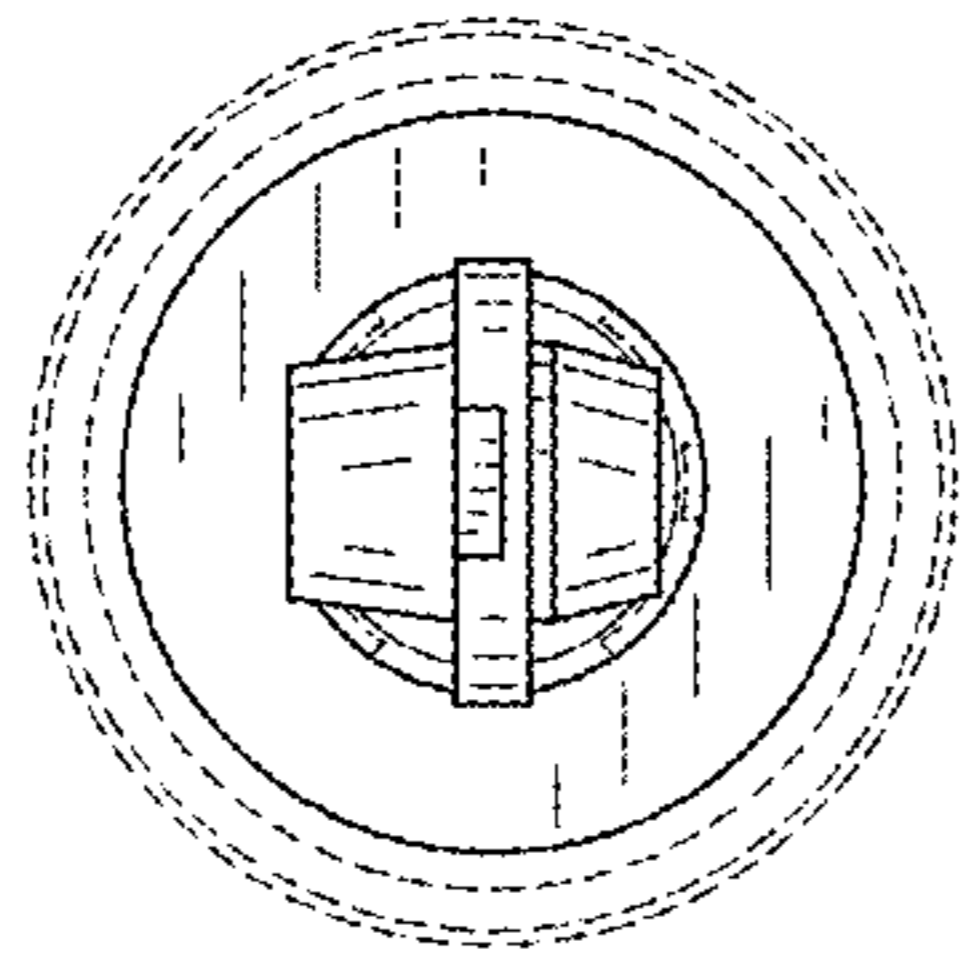


FIG. 5

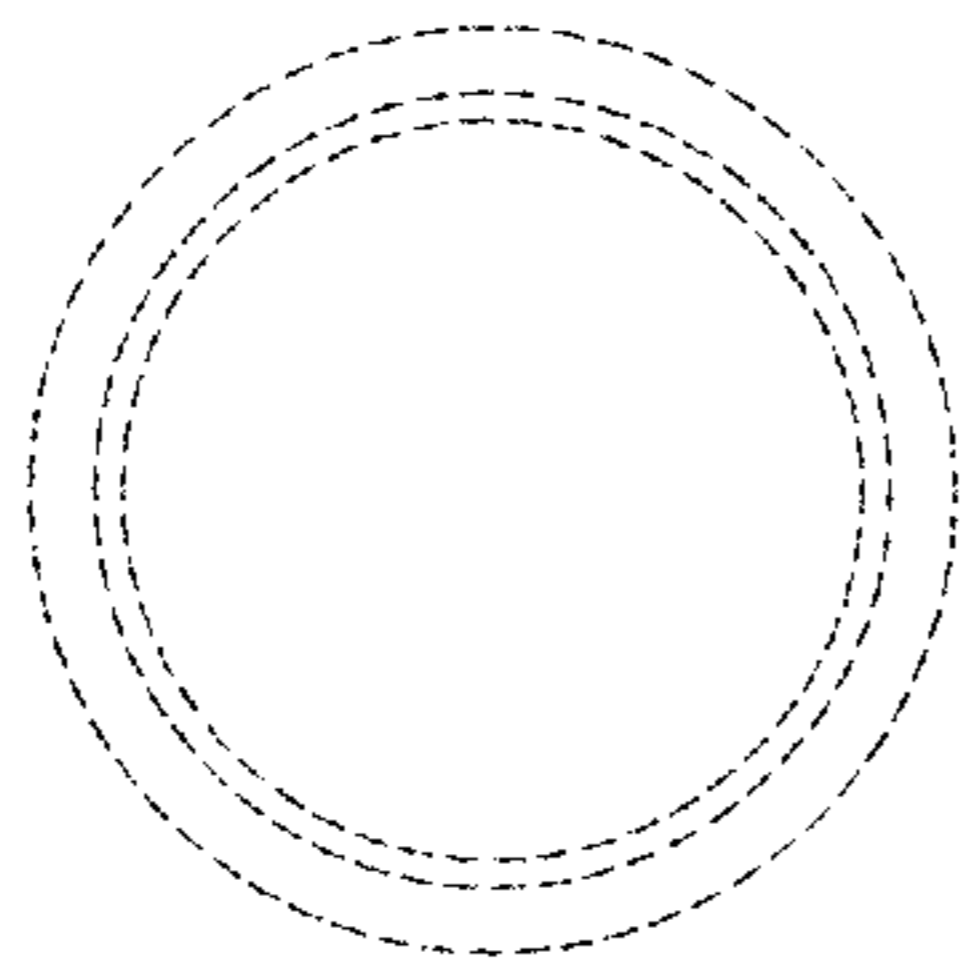


FIG. 4

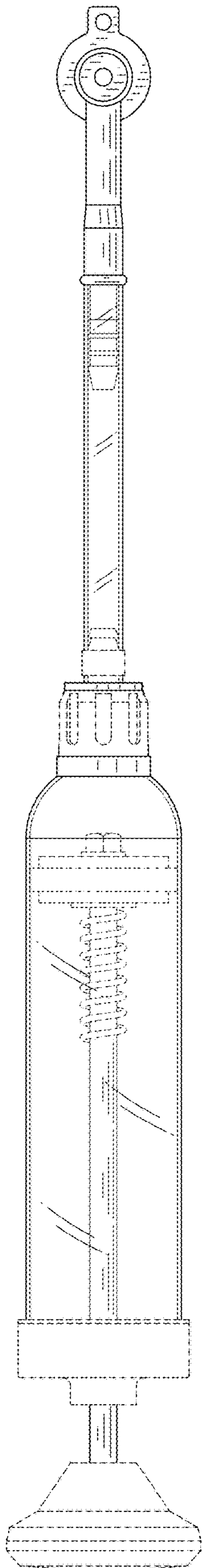


FIG. 6

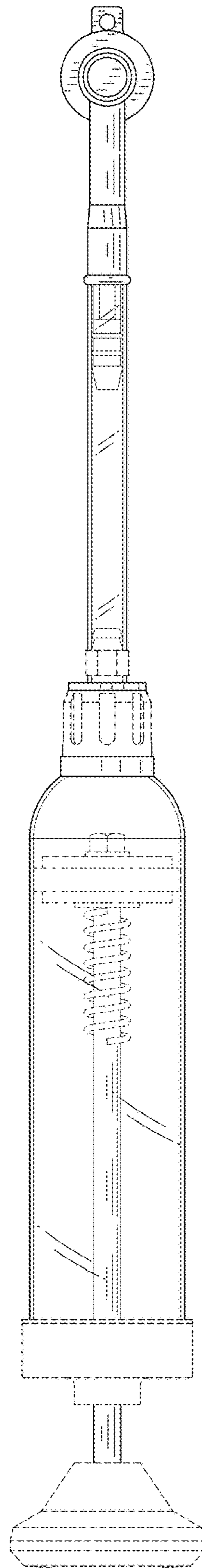


FIG. 7

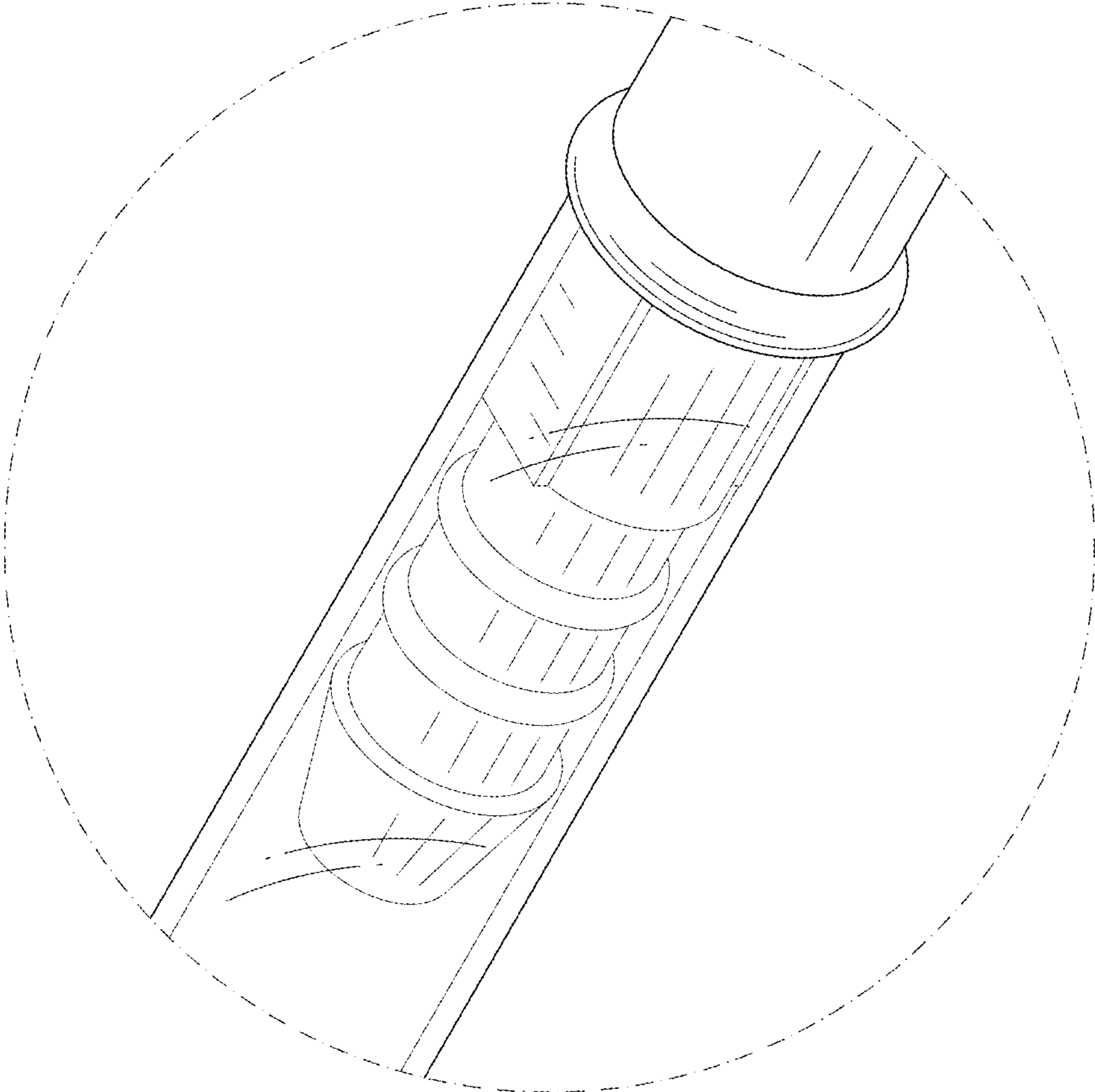


FIG. 8

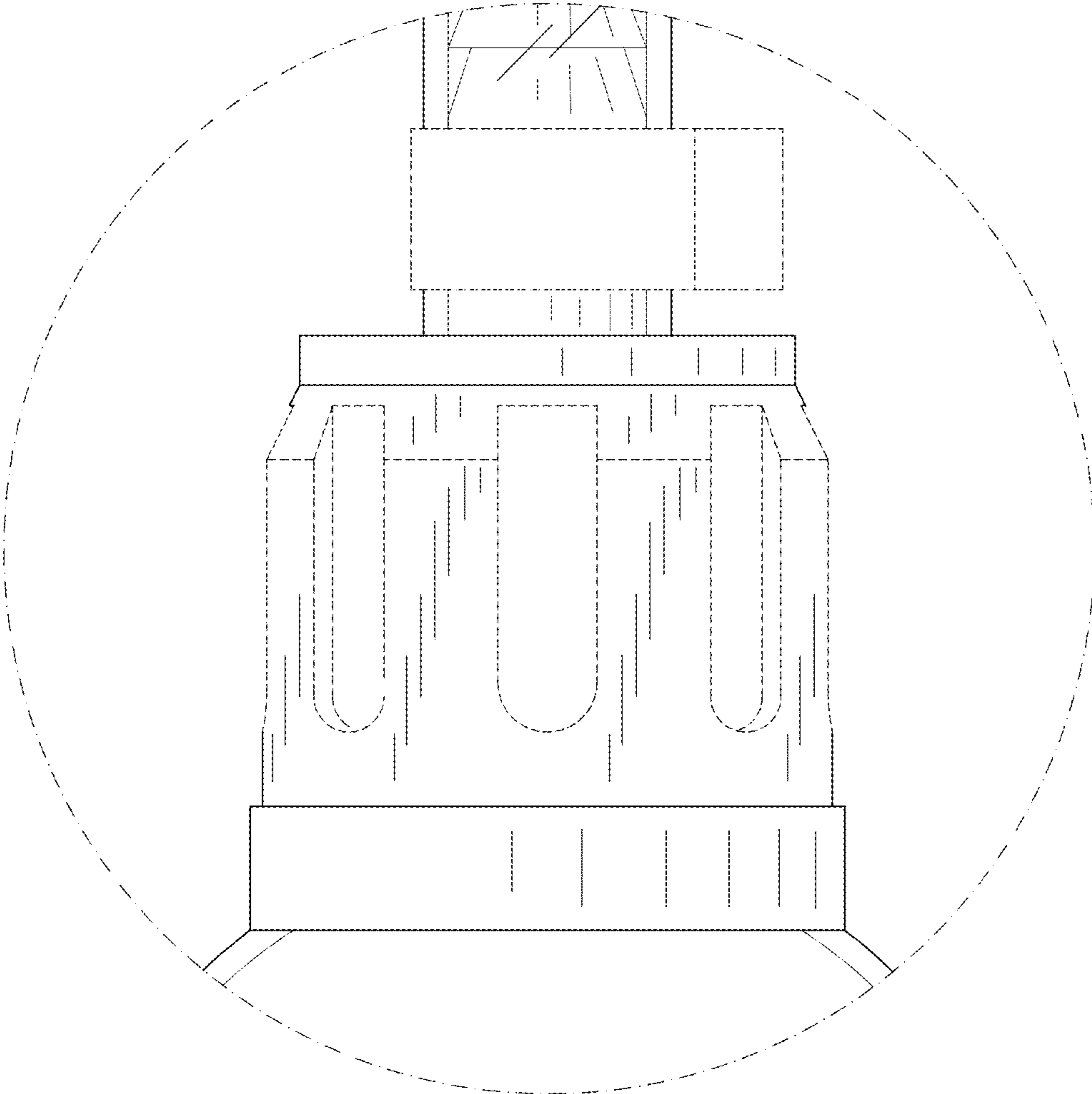


FIG. 9

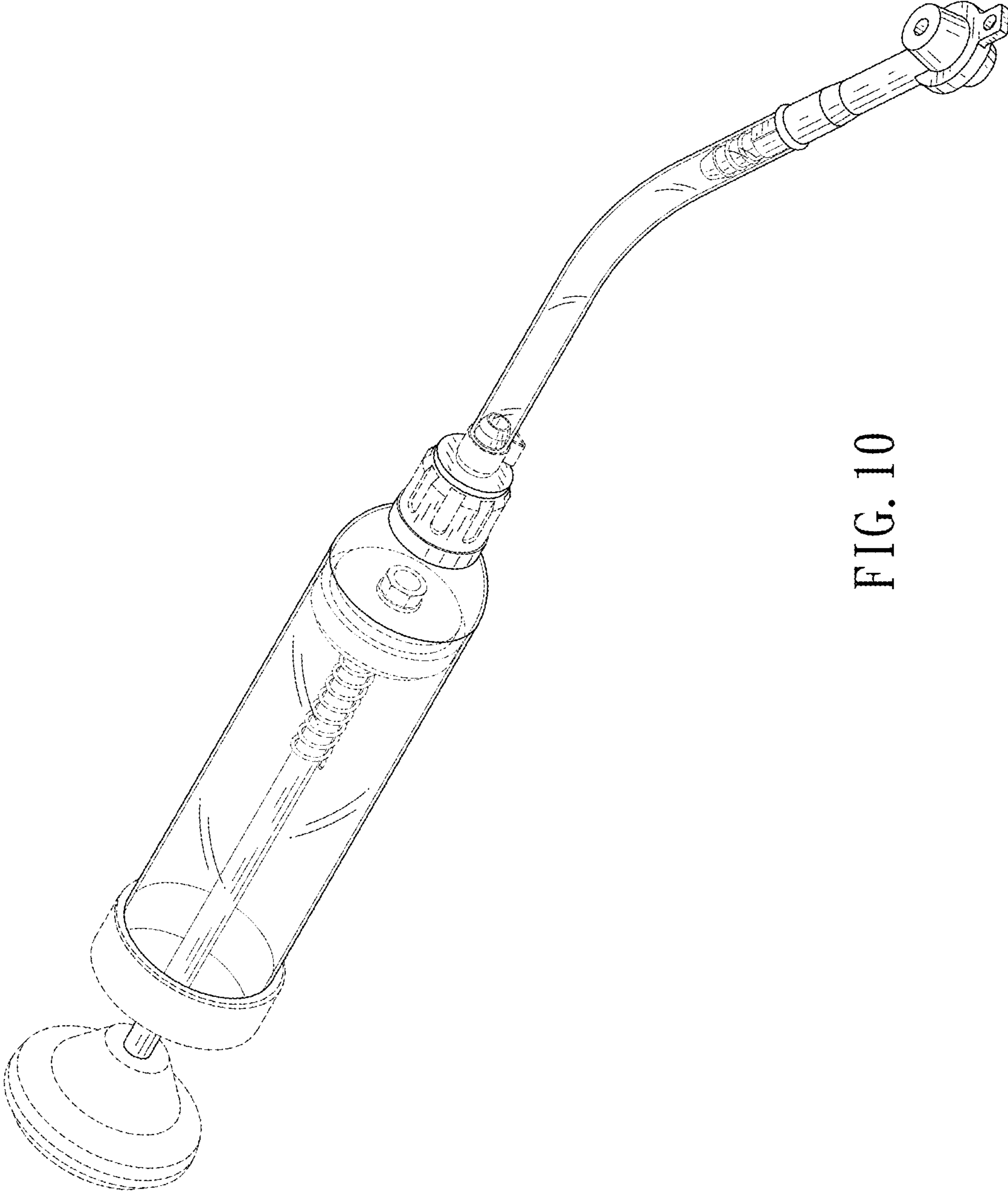


FIG. 10

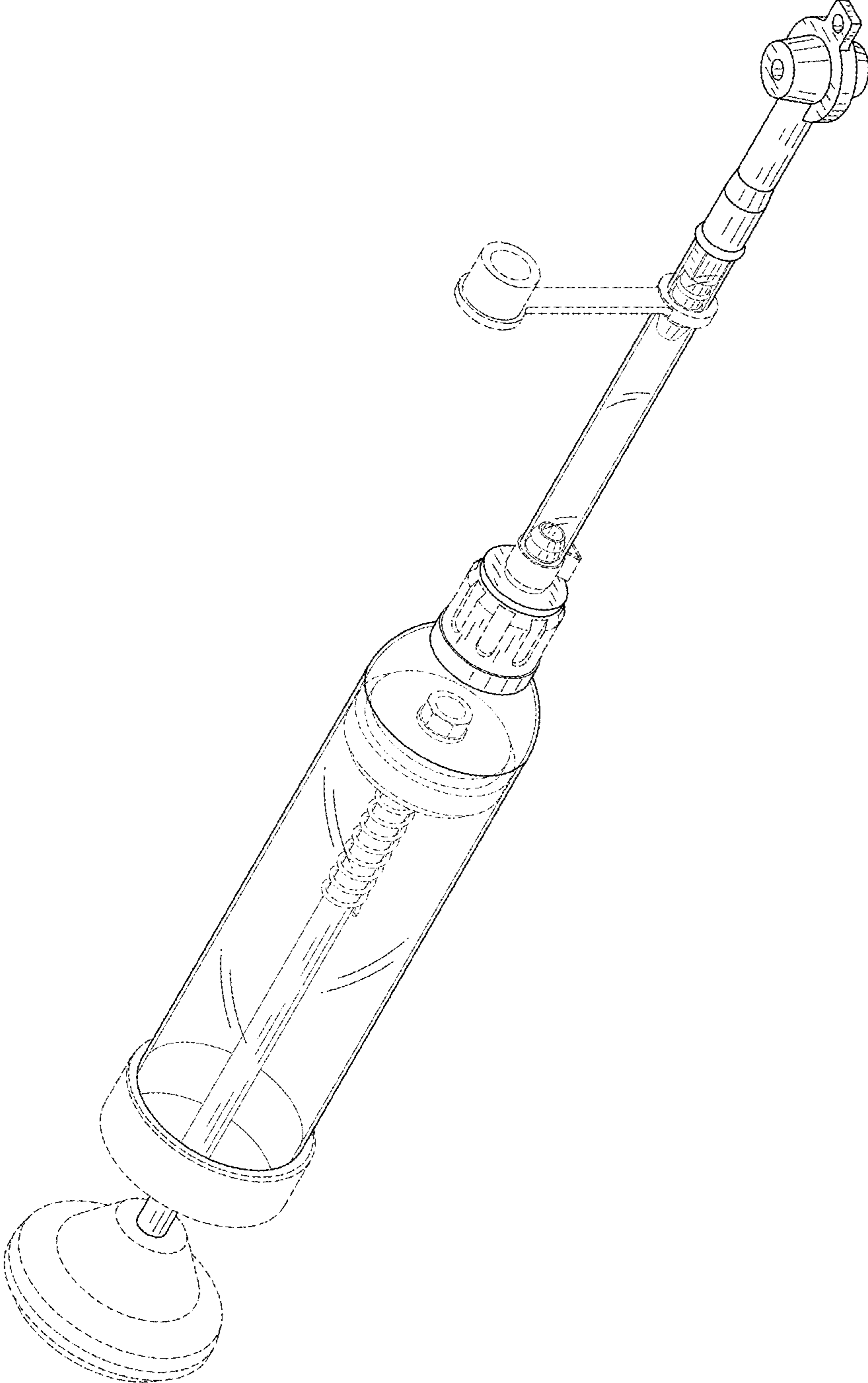


FIG. 11