



US00D920408S

(12) **United States Design Patent**
Shimizu

(10) **Patent No.:** **US D920,408 S**

(45) **Date of Patent:** **** May 25, 2021**

(54) **PISTON RING FOR INTERNAL COMBUSTION ENGINE**

(71) Applicant: **KABUSHIKI KAISHA RIKEN**,
Tokyo (JP)

(72) Inventor: **Hiroshi Shimizu**, Kashiwazaki (JP)

(73) Assignee: **KABUSHIKI KAISHA RIKEN**,
Tokyo (JP)

(**) Term: **15 Years**

(21) Appl. No.: **35/507,464**

(22) Filed: **Mar. 25, 2019**

(80) **Hague Agreement Data**

Int. Filing Date: **Mar. 25, 2019**

Int. Reg. No.: **DM/202398**

Int. Reg. Date: **Mar. 25, 2019**

Int. Reg. Pub. Date: **Sep. 27, 2019**

(30) **Foreign Application Priority Data**

Sep. 25, 2018 (JP) 2018-020802

Sep. 25, 2018 (JP) 2018-020803

(51) **LOC (13) Cl.** **15-99**

(52) **U.S. Cl.**
USPC **D15/148**

(58) **Field of Classification Search**
USPC D15/148; D23/269; D30/131; D6/352;
D8/14, 71

CPC . F16J 9/14; F16J 9/16; F16J 9/00; F16J 9/10;
F16J 15/3272; F02F 5/00; F02F 1/20;
F02F 2001/006

See application file for complete search history.

(56) **References Cited**

U.S. PATENT DOCUMENTS

3,655,208 A * 4/1972 Walker F16J 9/28
277/496

4,192,051 A * 3/1980 Bergeron B23P 15/08
277/463

4,251,083 A * 2/1981 Montes F16J 9/14
277/498

4,449,721 A * 5/1984 Tsuge F16J 9/14
277/499

5,253,878 A * 10/1993 Miura F16J 9/14
277/499

(Continued)

Primary Examiner — Nathaniel D. Buckner

(74) *Attorney, Agent, or Firm* — Leydig, Voit & Mayer,
Ltd.

(57) **CLAIM**

The ornamental design for a piston ring for an internal combustion engine, as shown and described.

DESCRIPTION

FIG. 1.1 is a front view of a piston ring for an internal combustion engine of the present invention.

FIG. 1.2 is a rear view thereof.

FIG. 1.3 is a bottom plan view thereof.

FIG. 1.4 is a front perspective view showing the left side thereof.

FIG. 1.5 is a front perspective view showing the right side thereof.

FIG. 1.6 is an enlarged view defined by the circle 1.6 of FIG. 1.1.

FIG. 1.7 is an enlarged view defined by the circle 1.7 of FIG. 1.2.

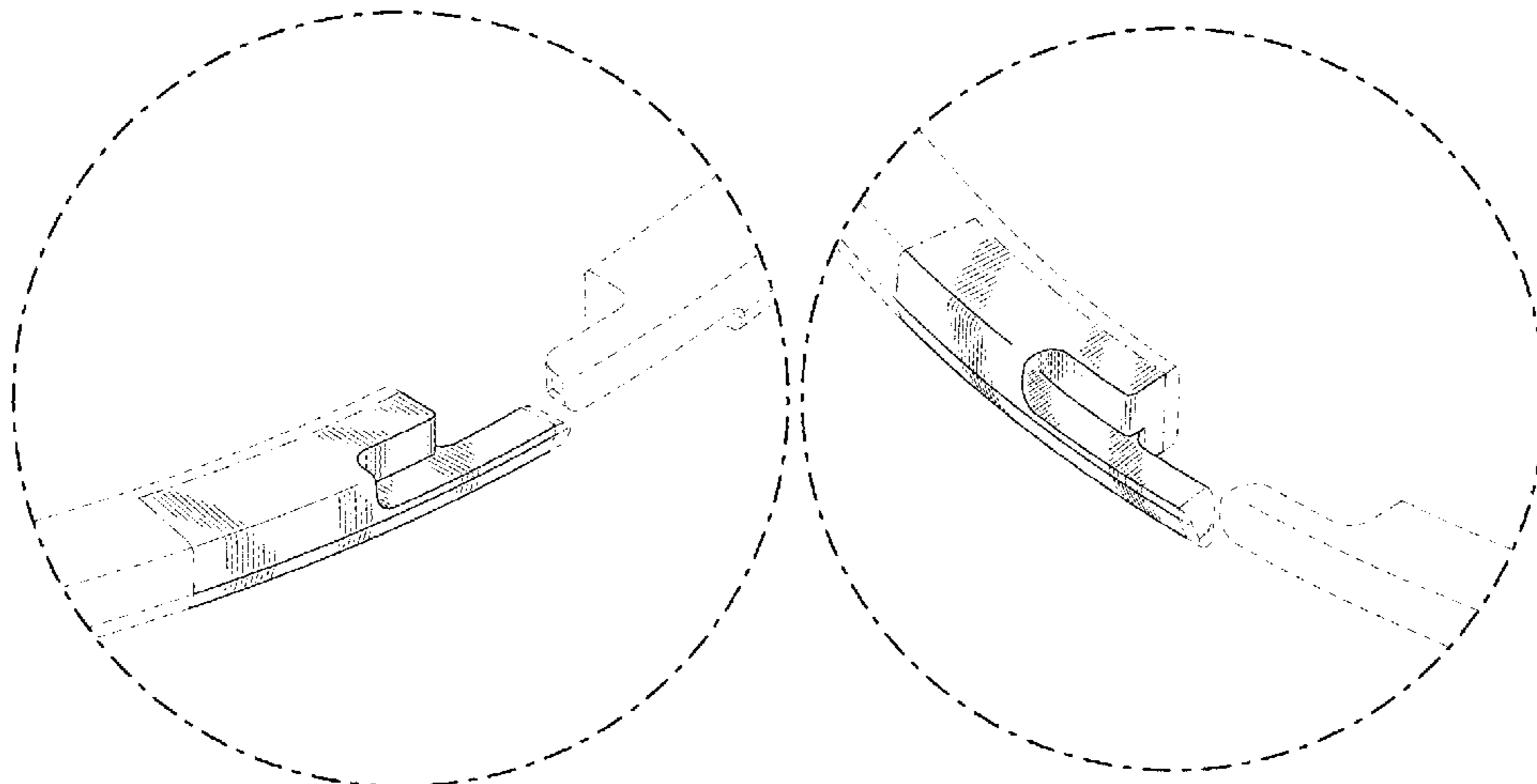
FIG. 1.8 is an enlarged view defined by the circle 1.8 of FIG. 1.3.

FIG. 1.9 is an enlarged view defined by the circle 1.9 of FIG. 1.4.

FIG. 1.10 is an enlarged view defined by the circle 1.10 of FIG. 1.5.

The dash-dash broken lines depict portions of the piston ring which form no part of the claimed design and the dot-dash-dot broken lines depict the boundary of the claimed design and form no part thereof.

1 Claim, 10 Drawing Sheets



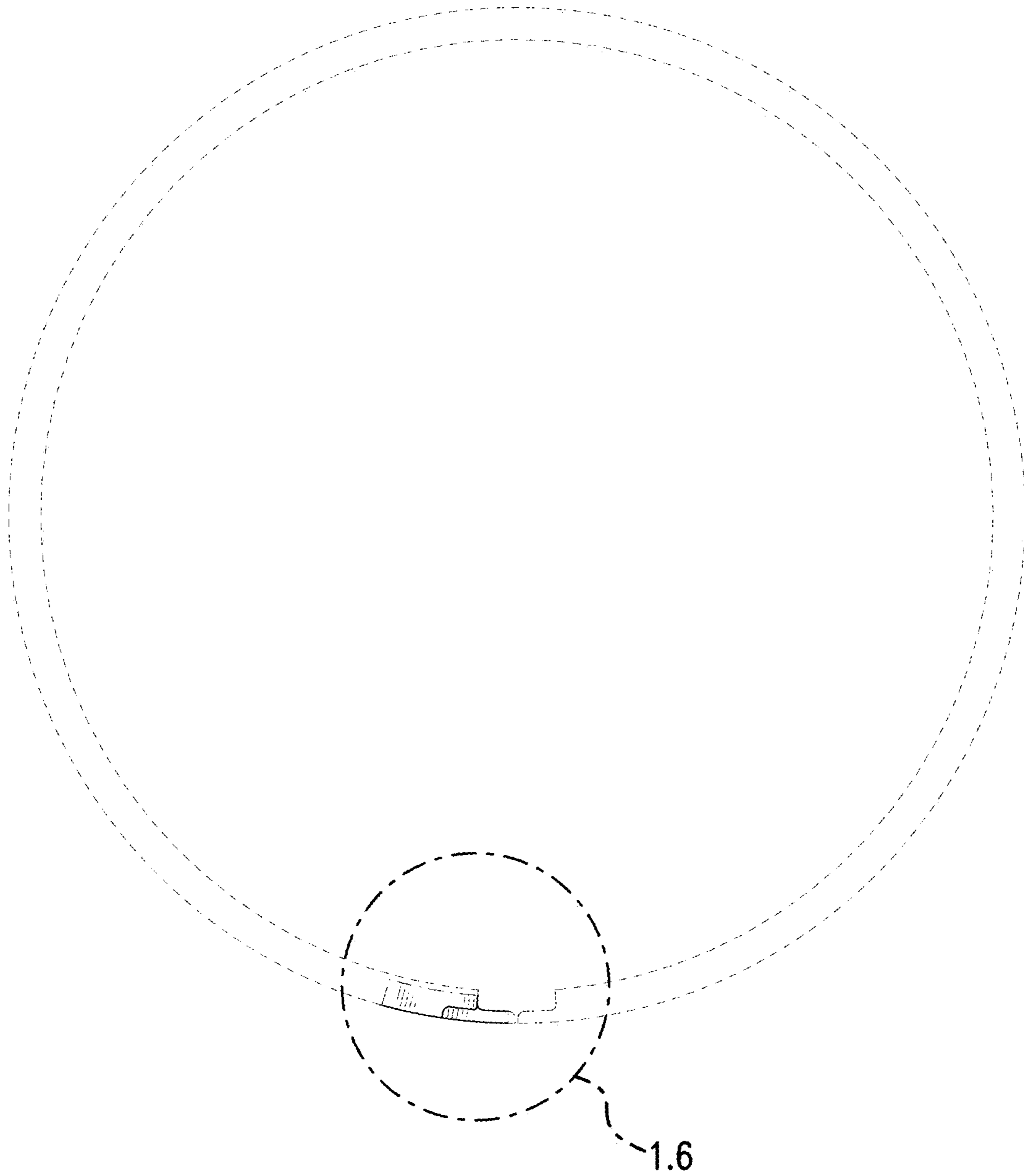
(56)

References Cited

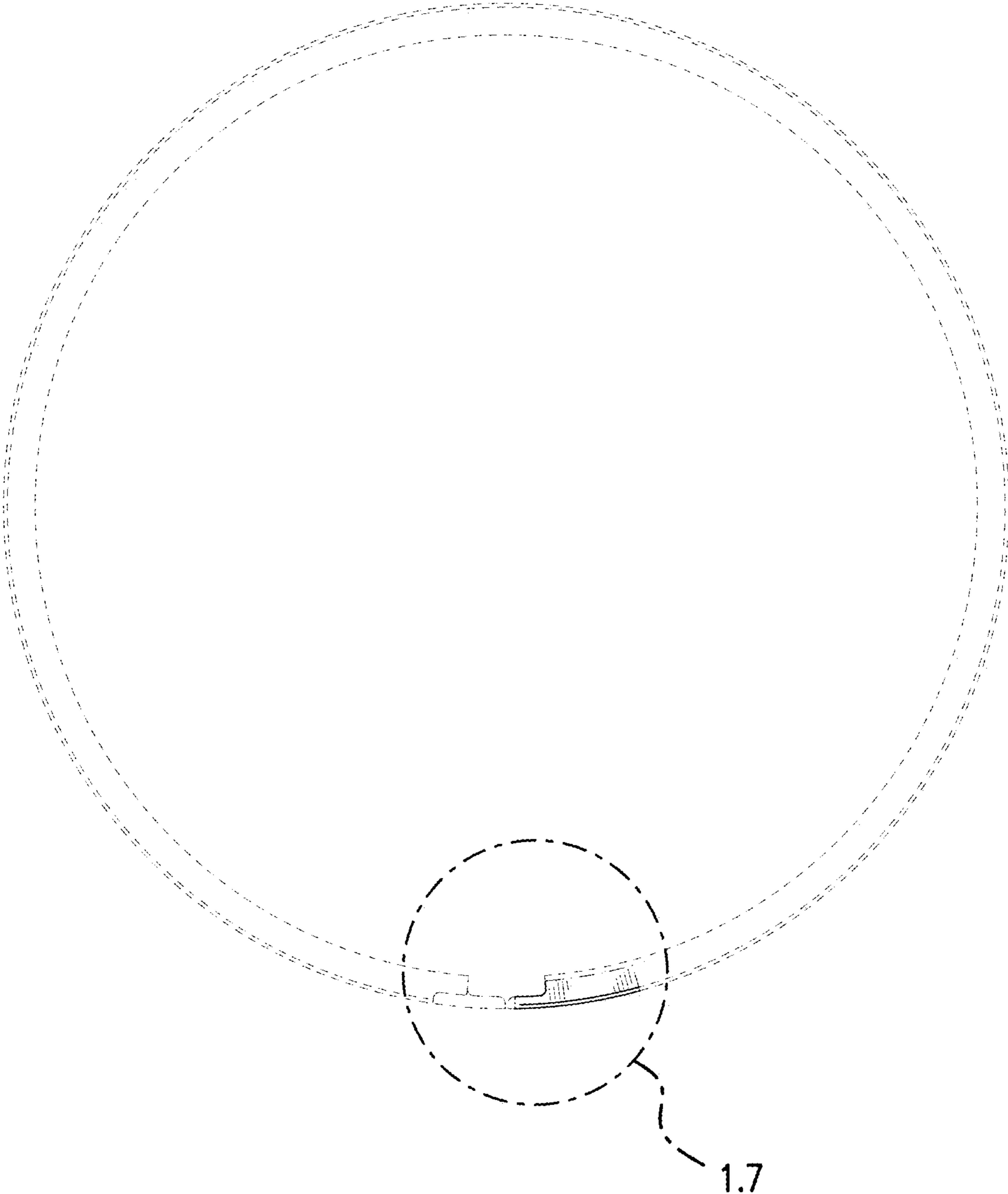
U.S. PATENT DOCUMENTS

D394,866 S * 6/1998 Lee D15/148
5,836,589 A * 11/1998 Sakata C08L 71/00
277/407
5,934,685 A * 8/1999 Danzer F16J 9/14
277/498
6,470,792 B1 * 10/2002 Michel F16J 9/20
92/208
D881,958 S * 4/2020 Han D15/148
2001/0045703 A1 * 11/2001 Scarlett F16J 9/16
277/459
2013/0305918 A1 * 11/2013 Okazaki F16J 9/061
92/172
2014/0246835 A1 * 9/2014 Stiehler F16J 15/3272
277/496
2016/0305545 A1 * 10/2016 Okazaki F16J 9/14
2019/0195363 A1 * 6/2019 Shimizu F16J 9/14
2020/0018395 A1 * 1/2020 Shimizu F16J 9/14

* cited by examiner

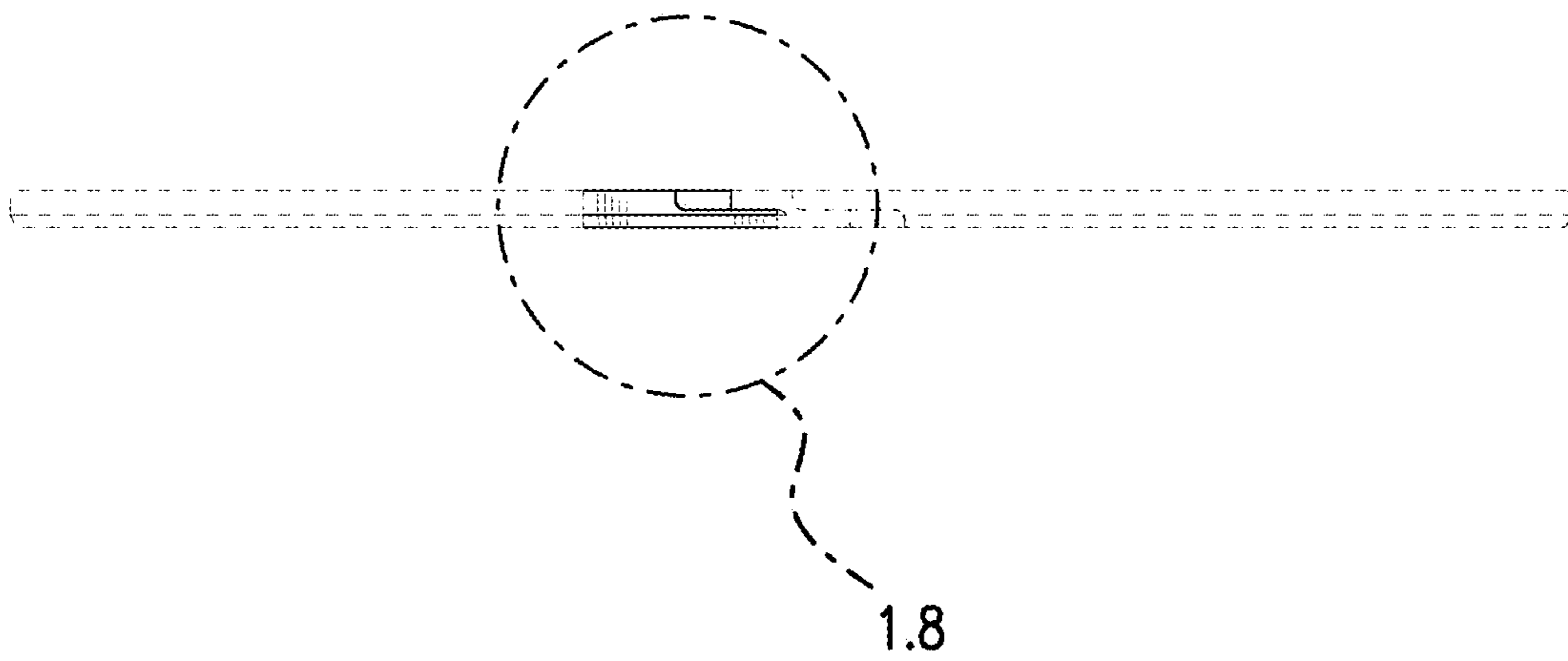


1.1

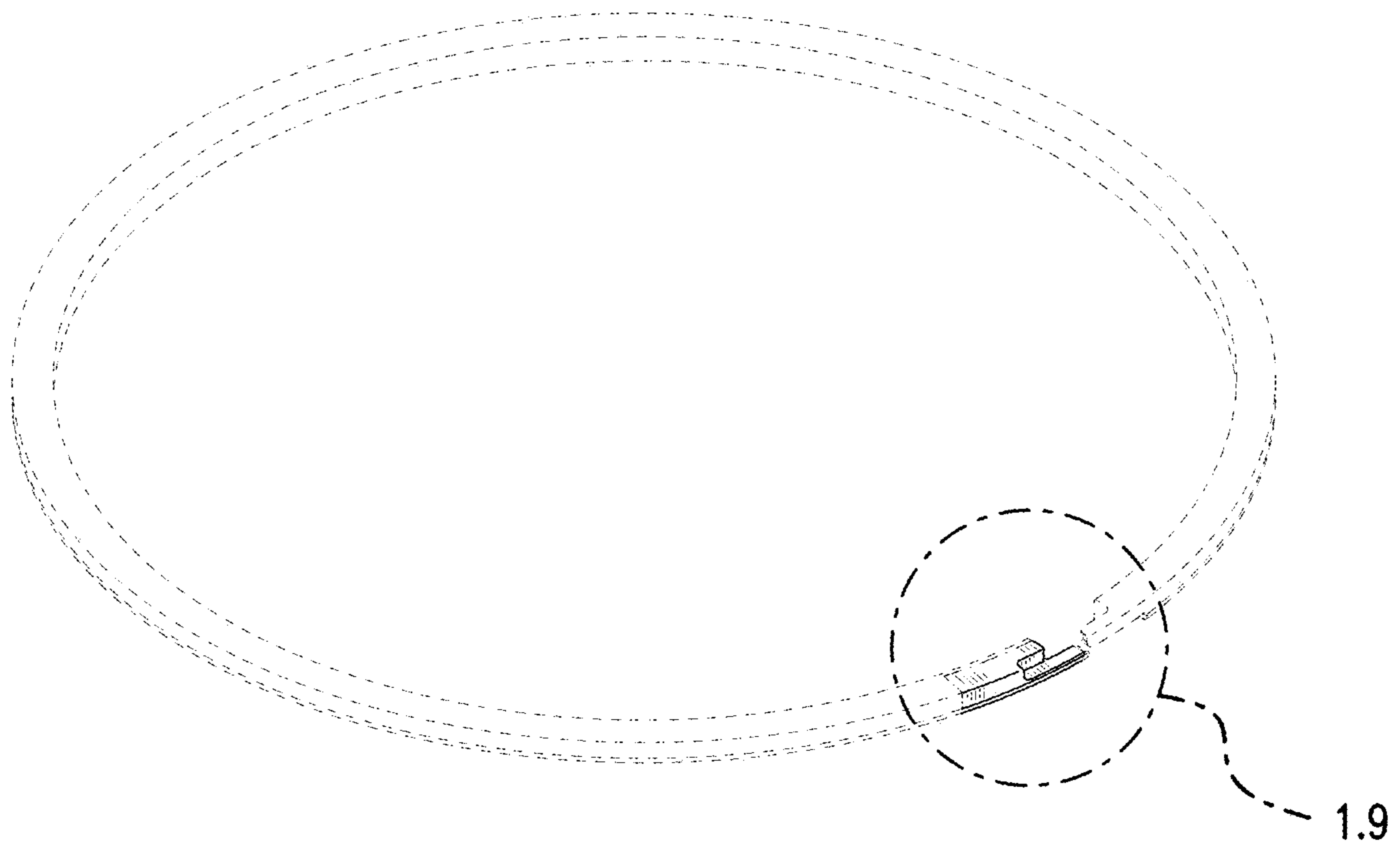


1.2

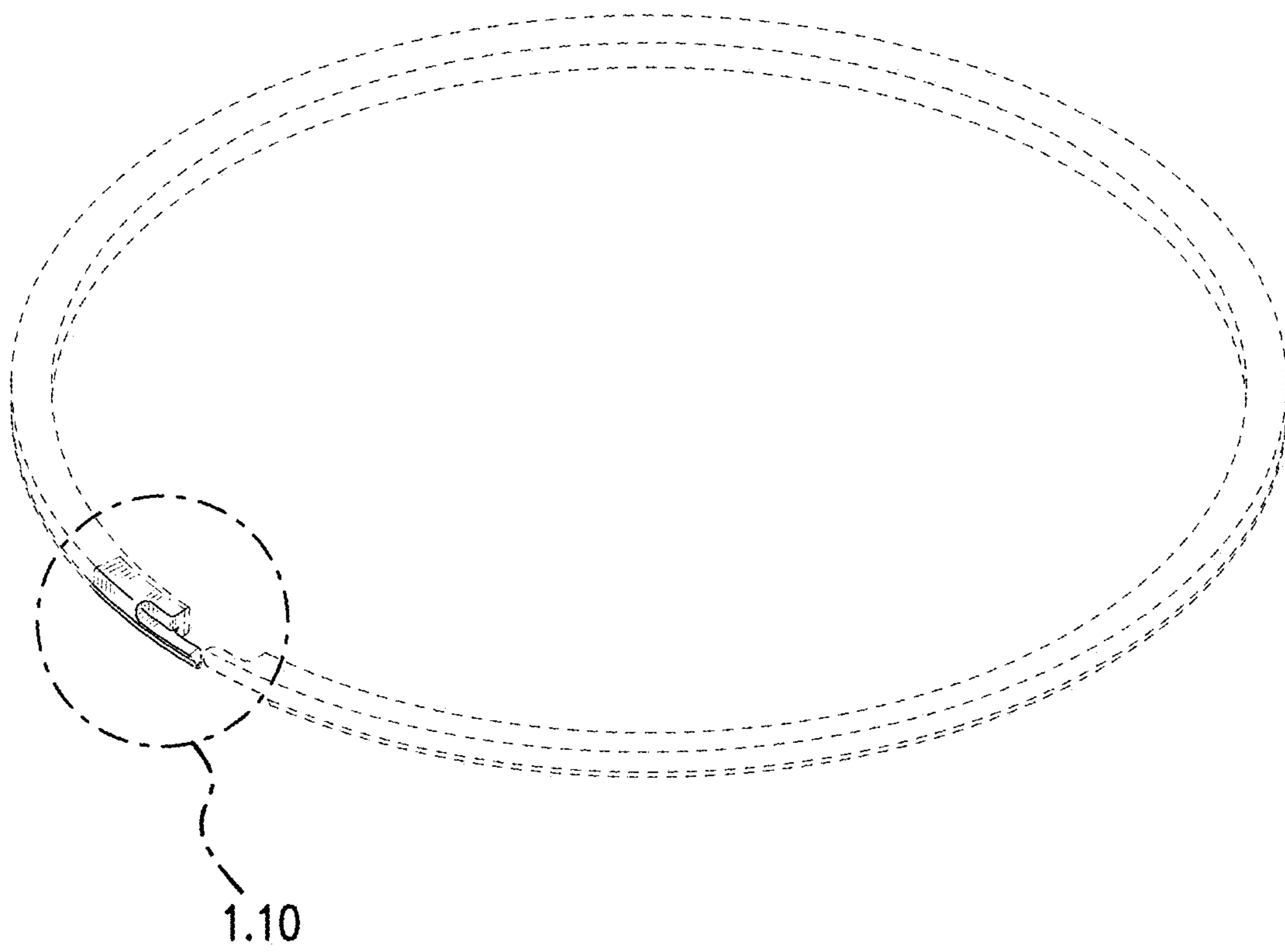
1.7



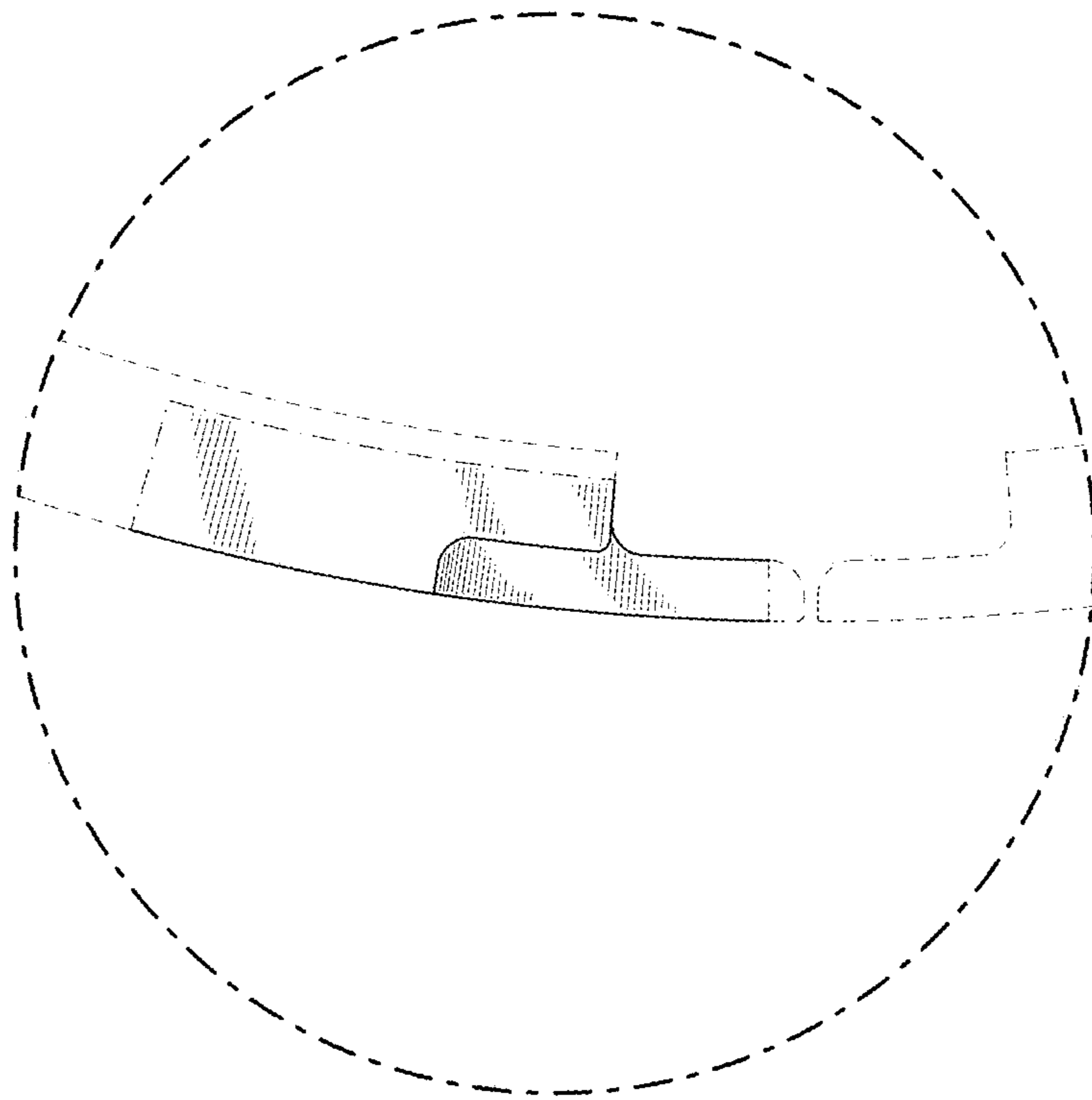
1.3



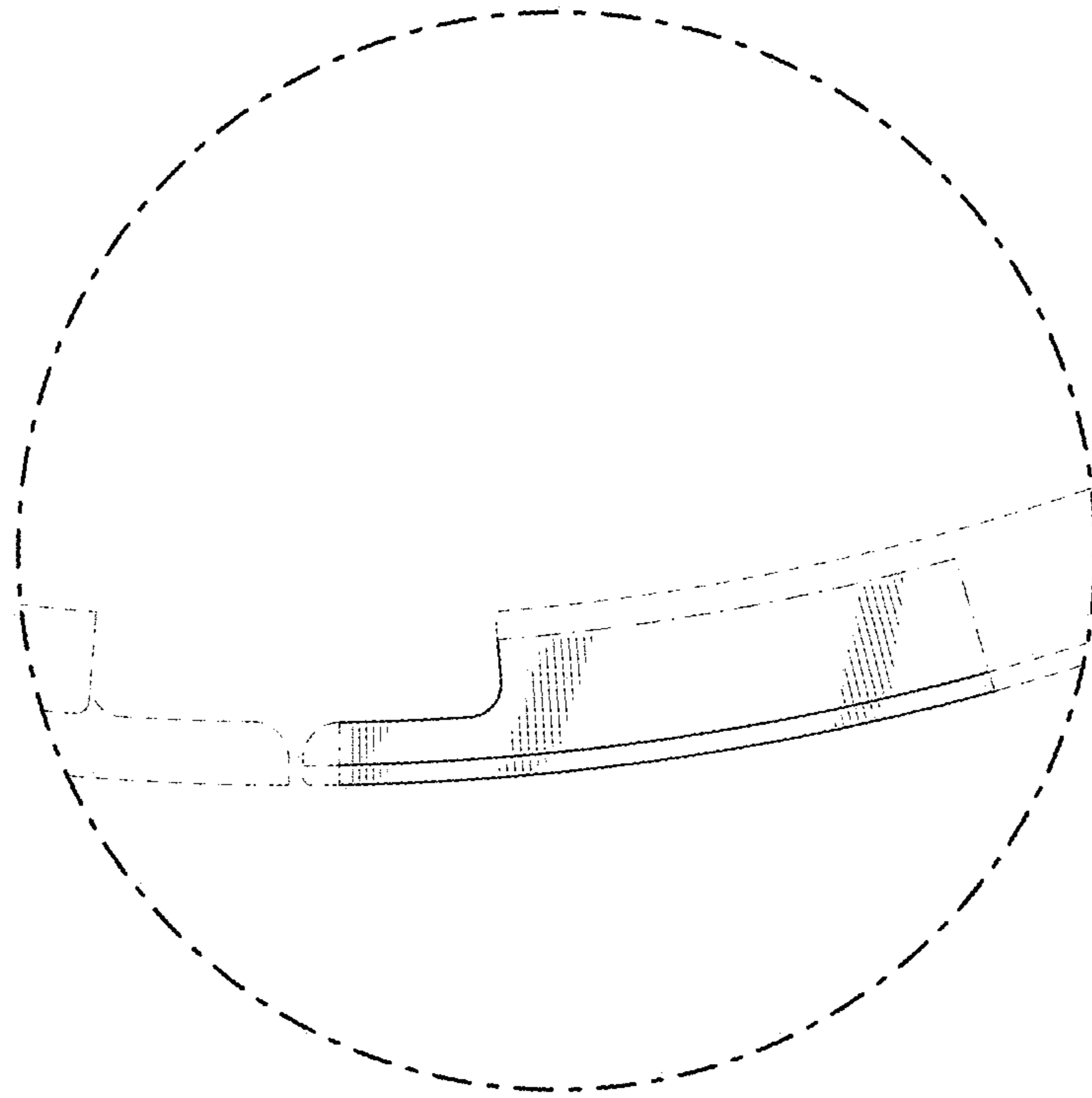
1.4



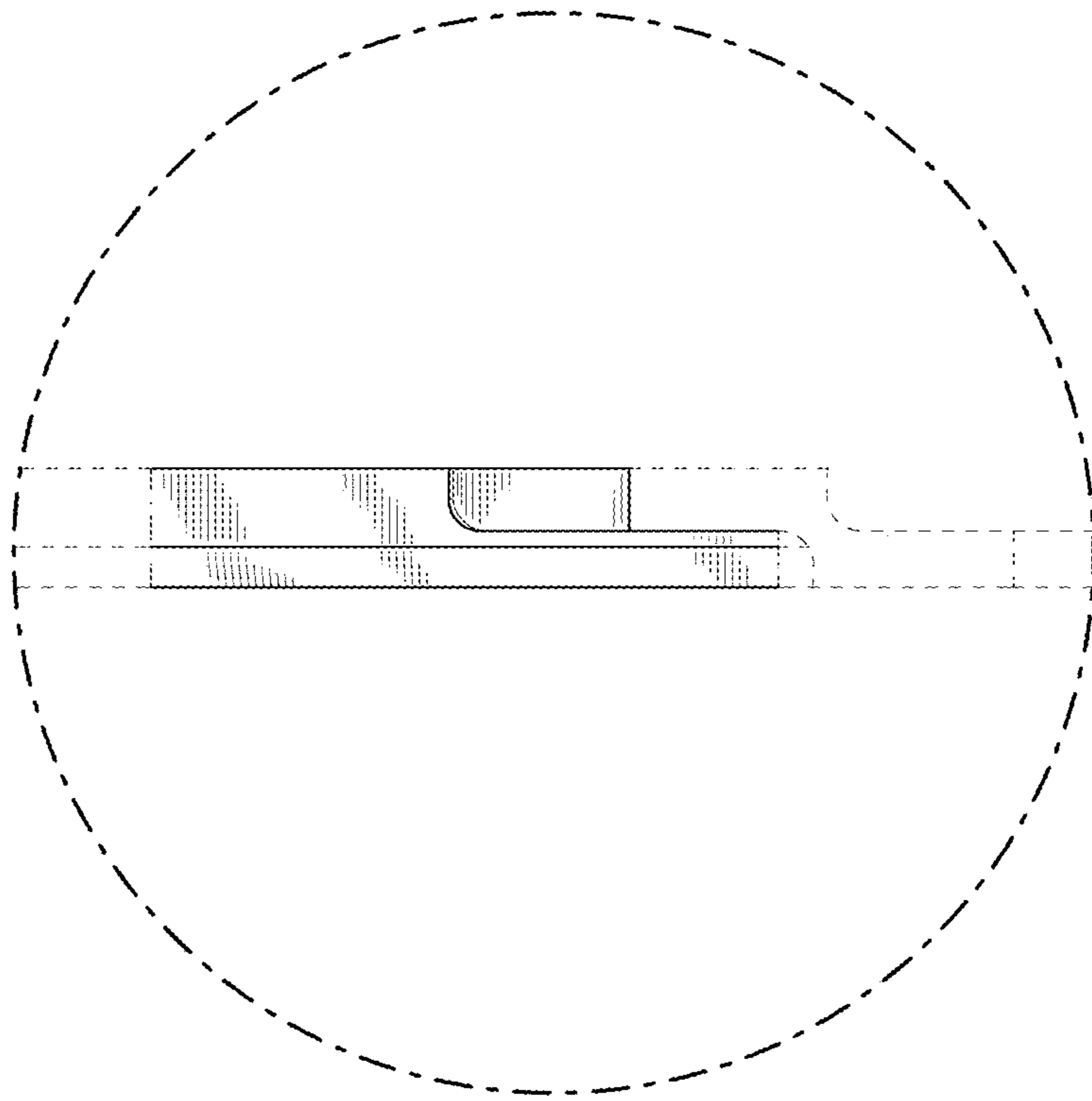
1.5



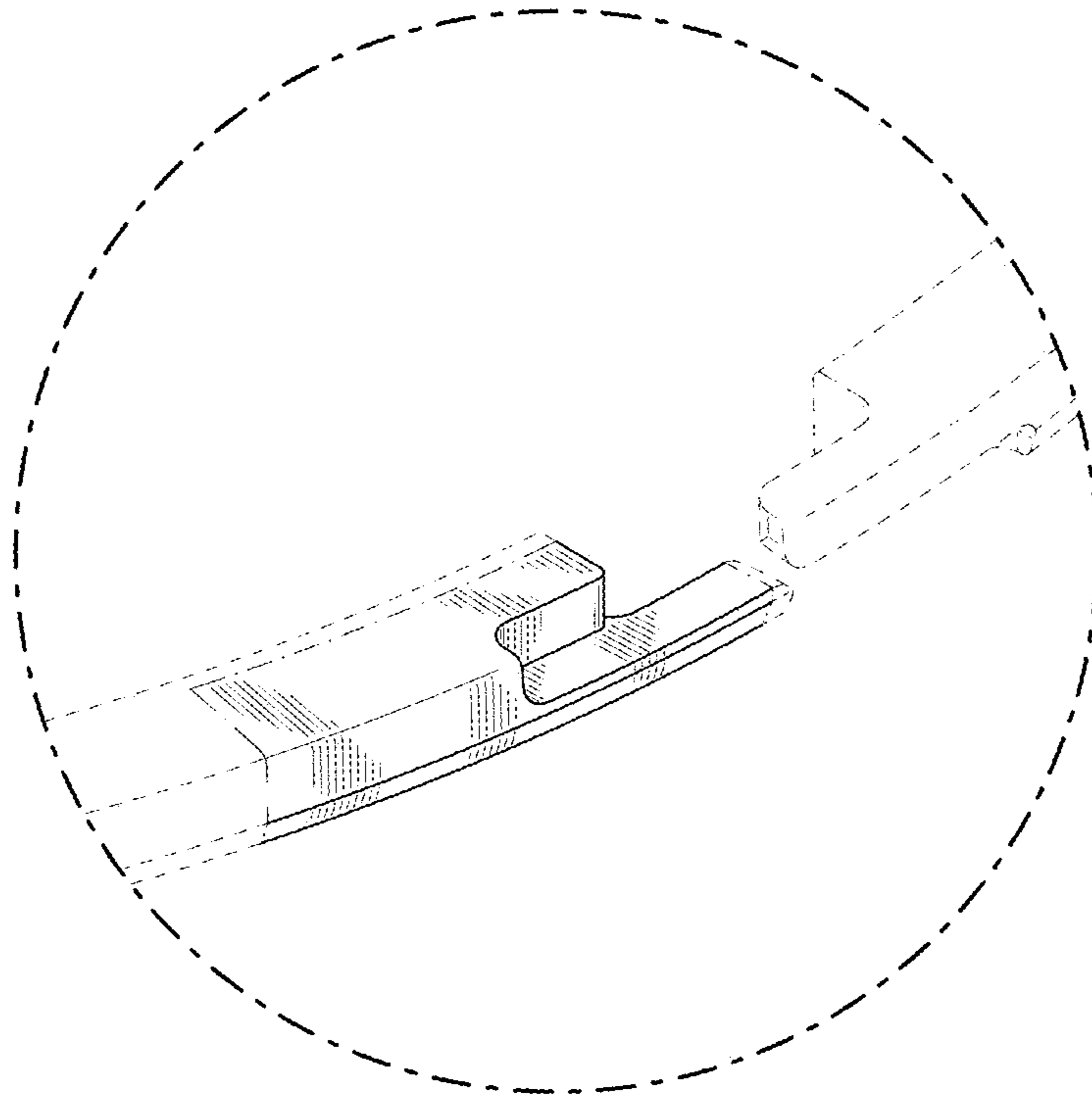
1.6



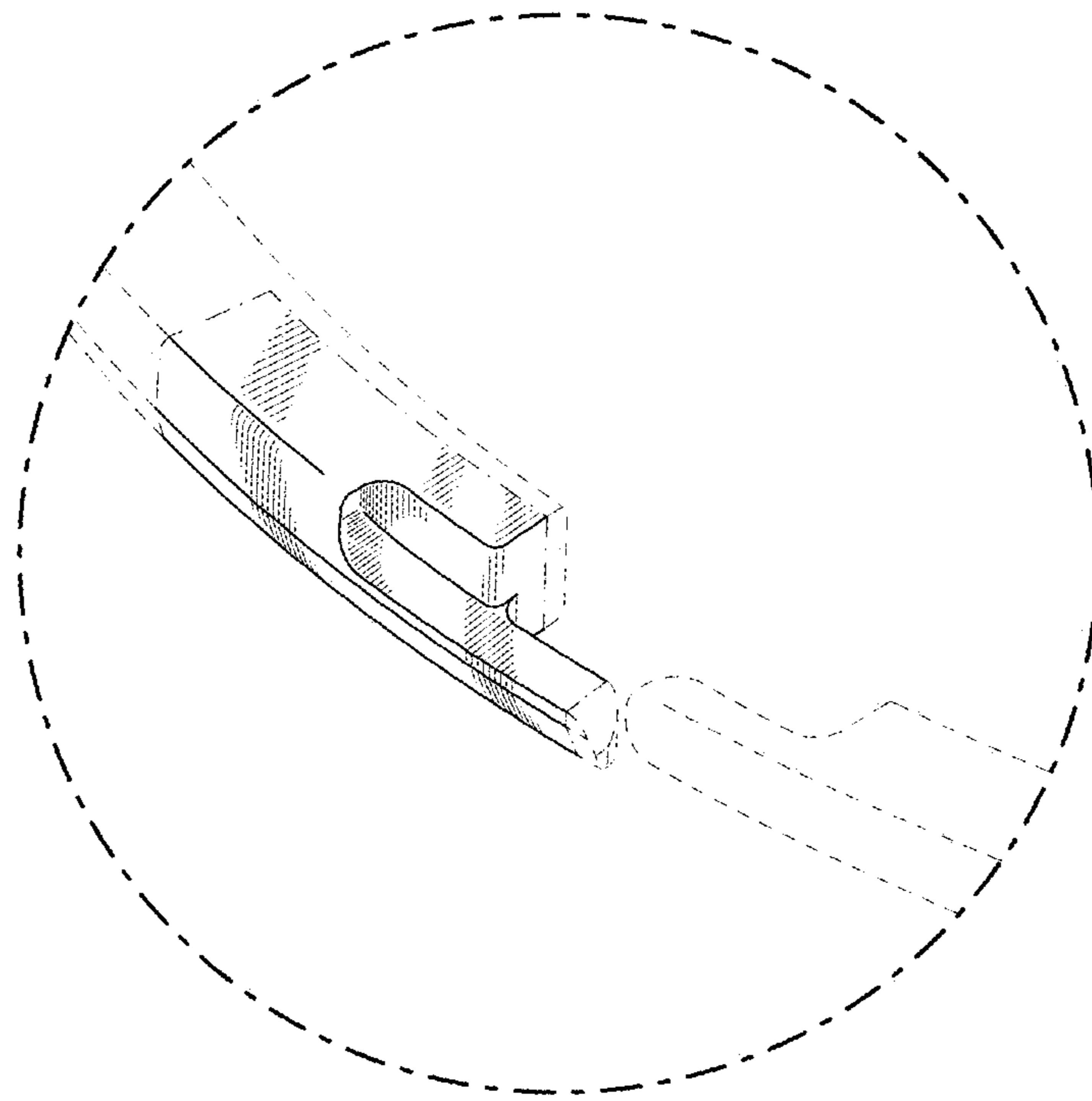
1.7



1.8



1.9



1.10