



US00D920405S

(12) **United States Design Patent**
Gou

(10) **Patent No.:** **US D920,405 S**

(45) **Date of Patent:** **** May 25, 2021**

(54) **CONTROLLING APPARATUS FOR
SOLDERING**

(71) Applicant: **Guangzhou Yihua Electronic
Equipment Co., Ltd., Guangdong (CN)**

(72) Inventor: **Mingkang Gou, Guangdong (CN)**

(73) Assignee: **Guangzhou Yihua Electronic
Equipment Co., Ltd., Guangdong (CN)**

(**) Term: **15 Years**

(21) Appl. No.: **29/689,552**

(22) Filed: **Apr. 30, 2019**

(30) **Foreign Application Priority Data**

Oct. 30, 2018 (EP) 005811999-0005

(51) **LOC (13) Cl.** **15-09**

(52) **U.S. Cl.**
USPC **D15/144.2**

(58) **Field of Classification Search**
USPC D8/29, 29.1, 29.2, 30, 70, 71; D10/46,
D10/50, 78; D13/123, 133; D14/126;
D15/122, 144, 144.1, 144.2; D24/107,
D24/232
CPC B23K 3/033; B23K 3/0369; B23K 3/08;
G05D 23/2401
See application file for complete search history.

(56) **References Cited**

U.S. PATENT DOCUMENTS

D274,882 S * 7/1984 Rittmann D15/144
D277,636 S * 2/1985 Rittmann D15/144

D415,435 S * 10/1999 Yoshimura D10/50
D550,731 S * 9/2007 Ishihara D15/144.2
D656,525 S * 3/2012 Mochizuki D15/144.2
D703,715 S * 4/2014 Kita D15/144
D762,254 S * 7/2016 Kita D15/144.2
D762,754 S * 8/2016 Kita D15/144.2
D780,241 S * 2/2017 Teraoka D15/144.2
D790,613 S * 6/2017 Fischer D15/144.2
D829,791 S * 10/2018 Fischer D15/144.2
D831,716 S * 10/2018 Gou D15/144
D831,717 S * 10/2018 Gou D15/144
D879,849 S * 3/2020 Kita D15/144.2

* cited by examiner

Primary Examiner — Michael C Stout

Assistant Examiner — Fritzgerald L Butac

(74) *Attorney, Agent, or Firm* — Lucas & Mercanti, LLP

(57) **CLAIM**

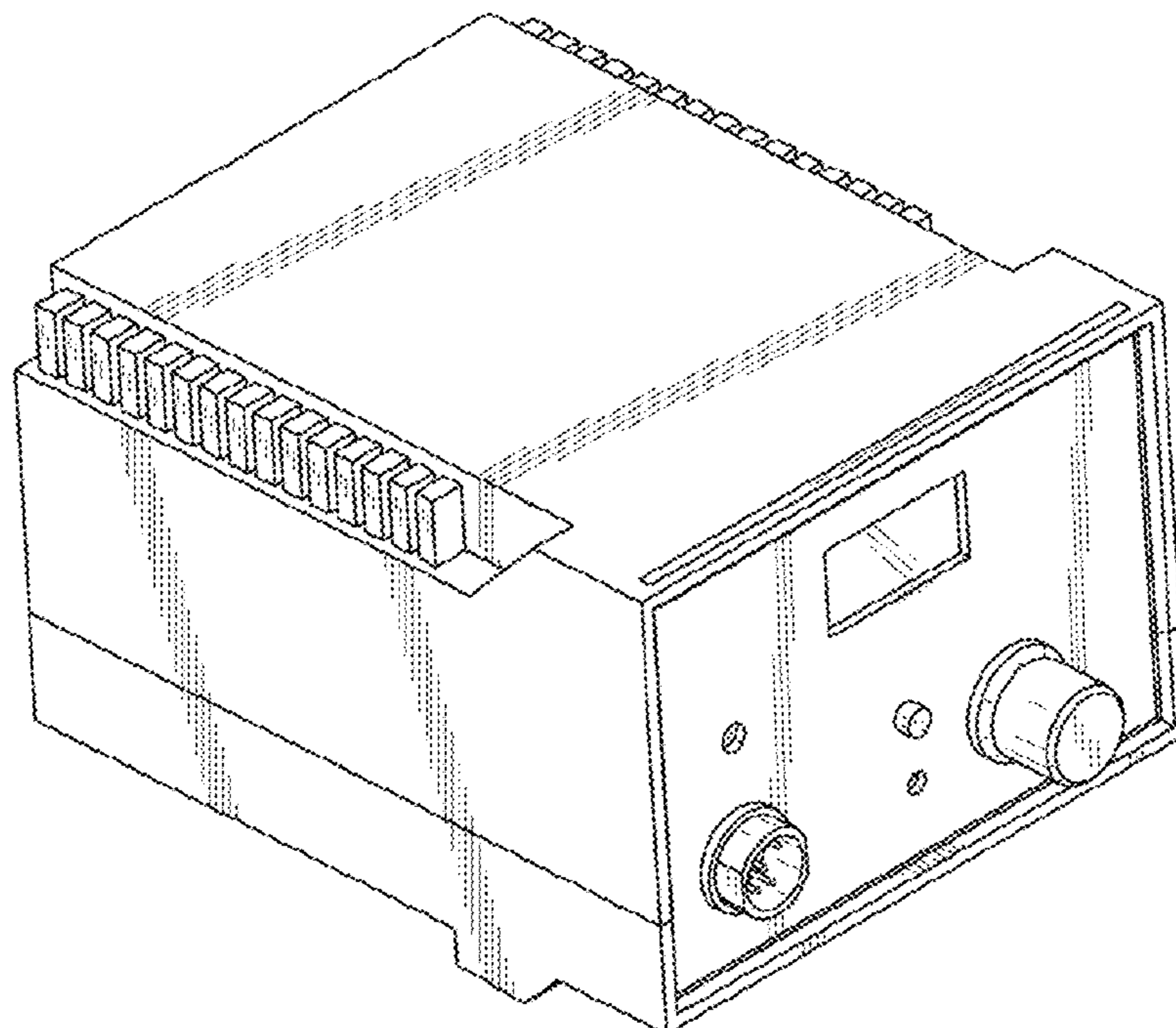
The ornamental design for a controlling apparatus for soldering, as shown and described.

DESCRIPTION

FIG. 1. is a perspective view of a controlling apparatus for soldering;
FIG. 2 is a front view thereof;
FIG. 3 is a rear view thereof;
FIG. 4 is a left side view thereof;
FIG. 5 is a right side view thereof;
FIG. 6 is a top view thereof; and,
FIG. 7 is a bottom view thereof.

The broken lines show portions of a controlling apparatus for soldering which form no part of the claimed design.

1 Claim, 7 Drawing Sheets



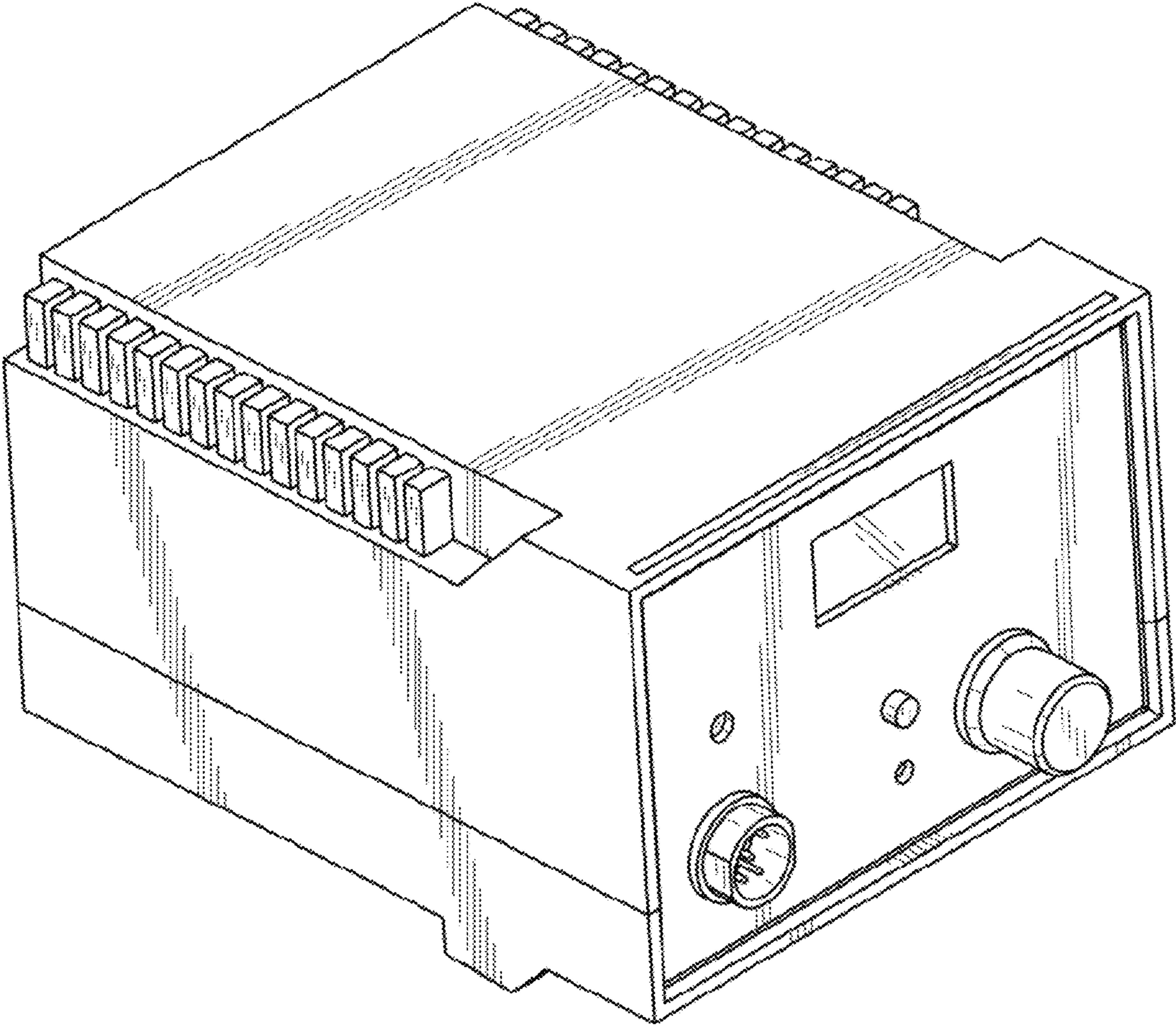


FIG. 1

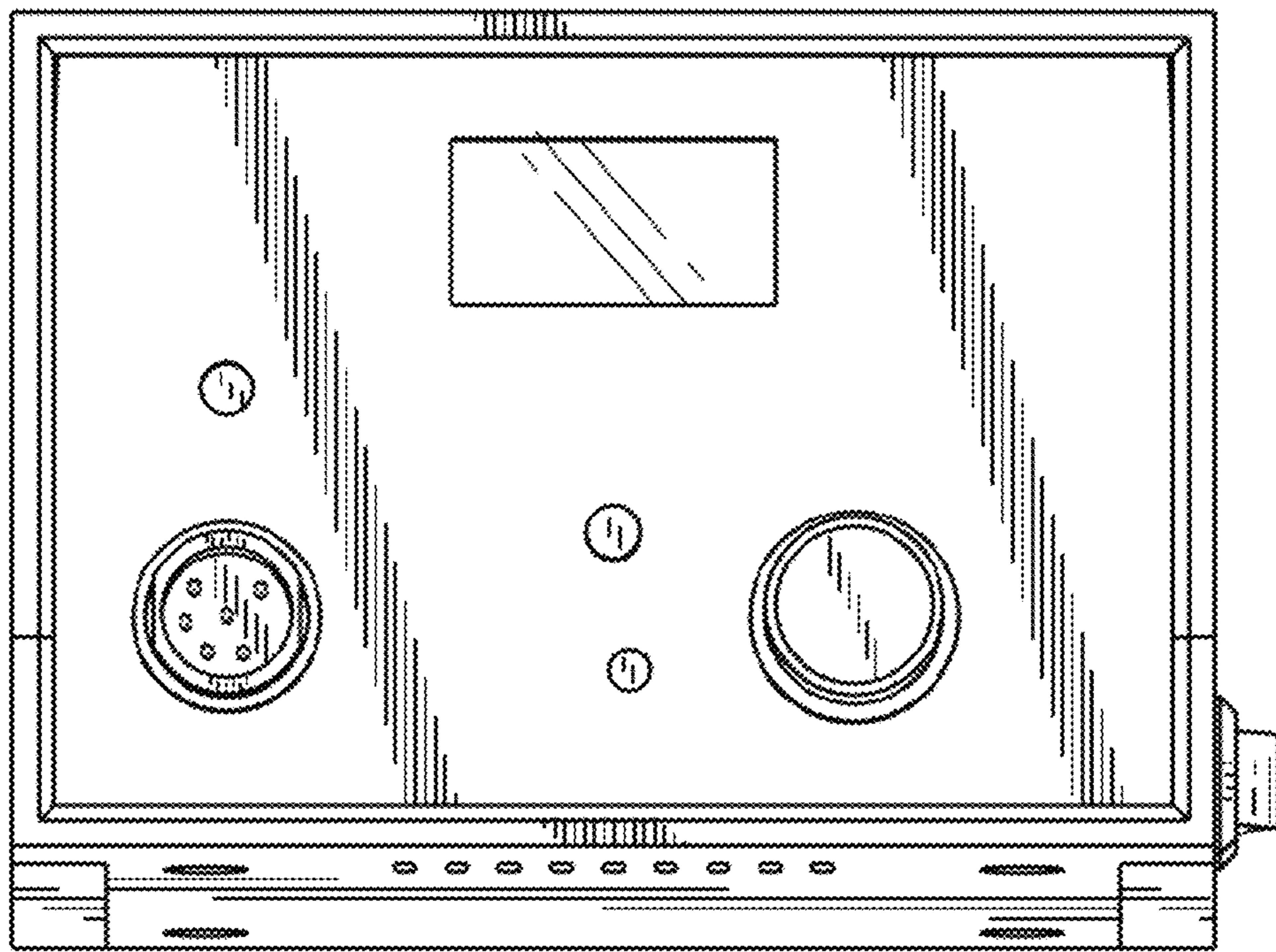


FIG. 2

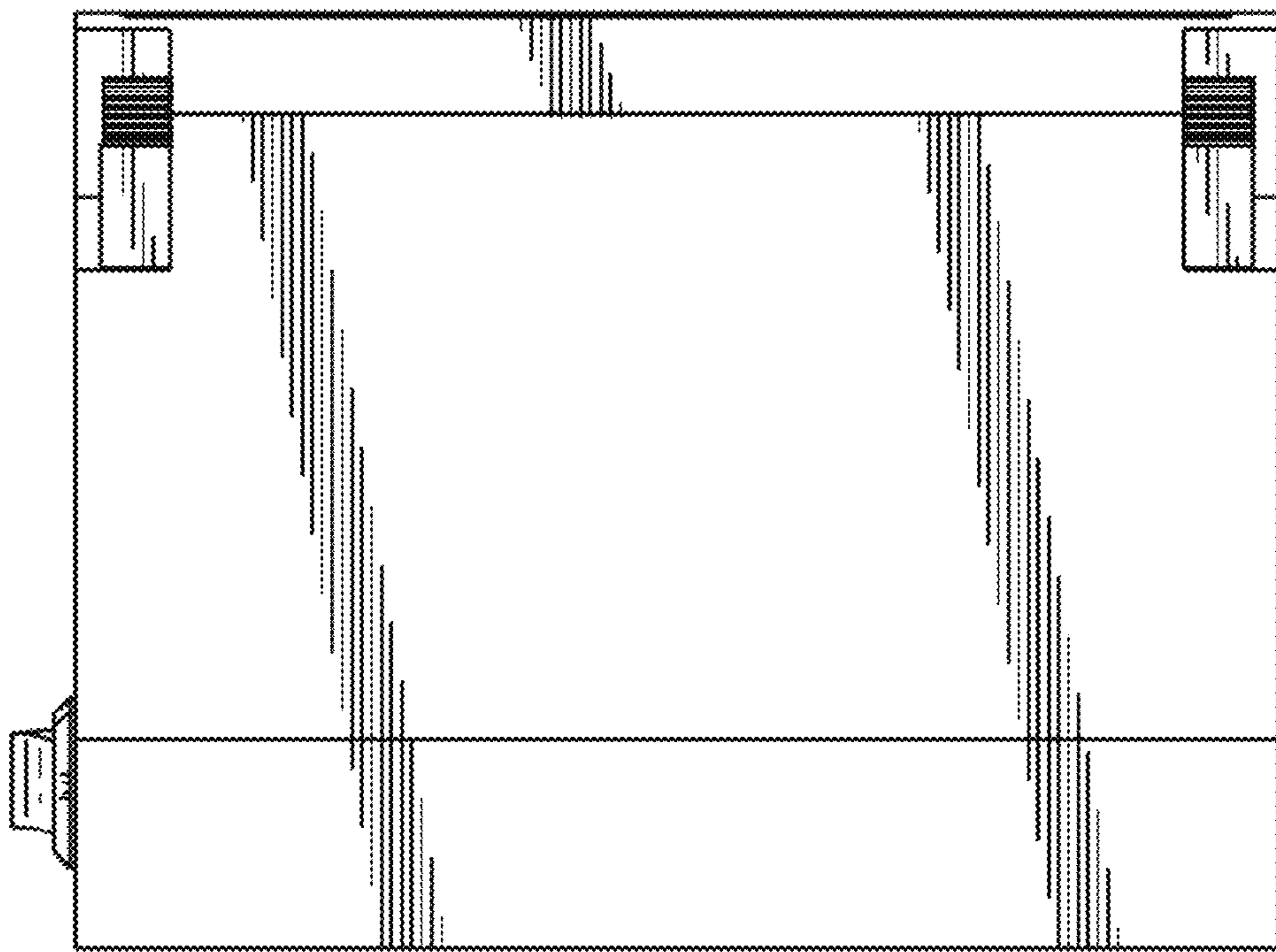


FIG. 3

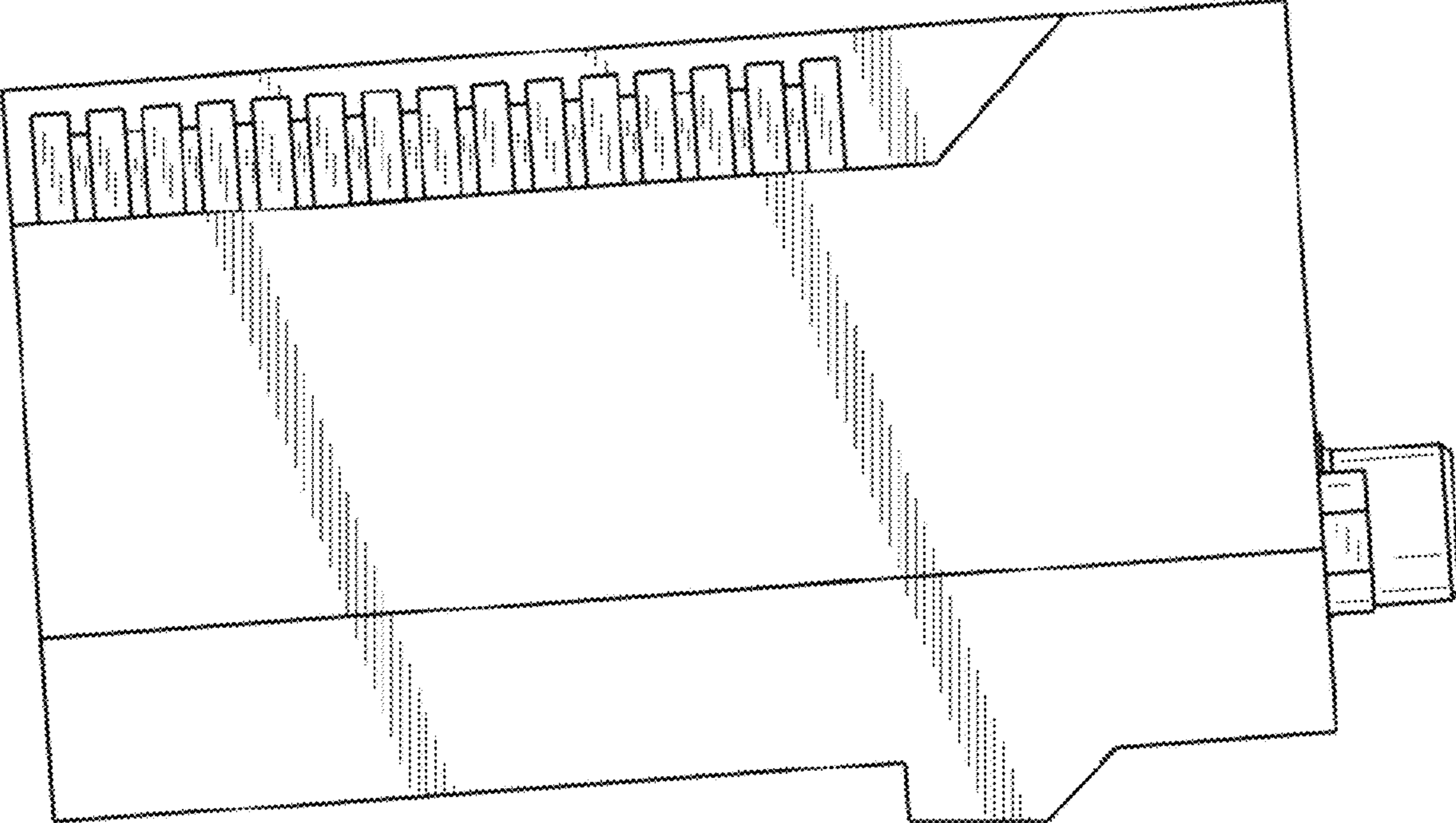


FIG. 4

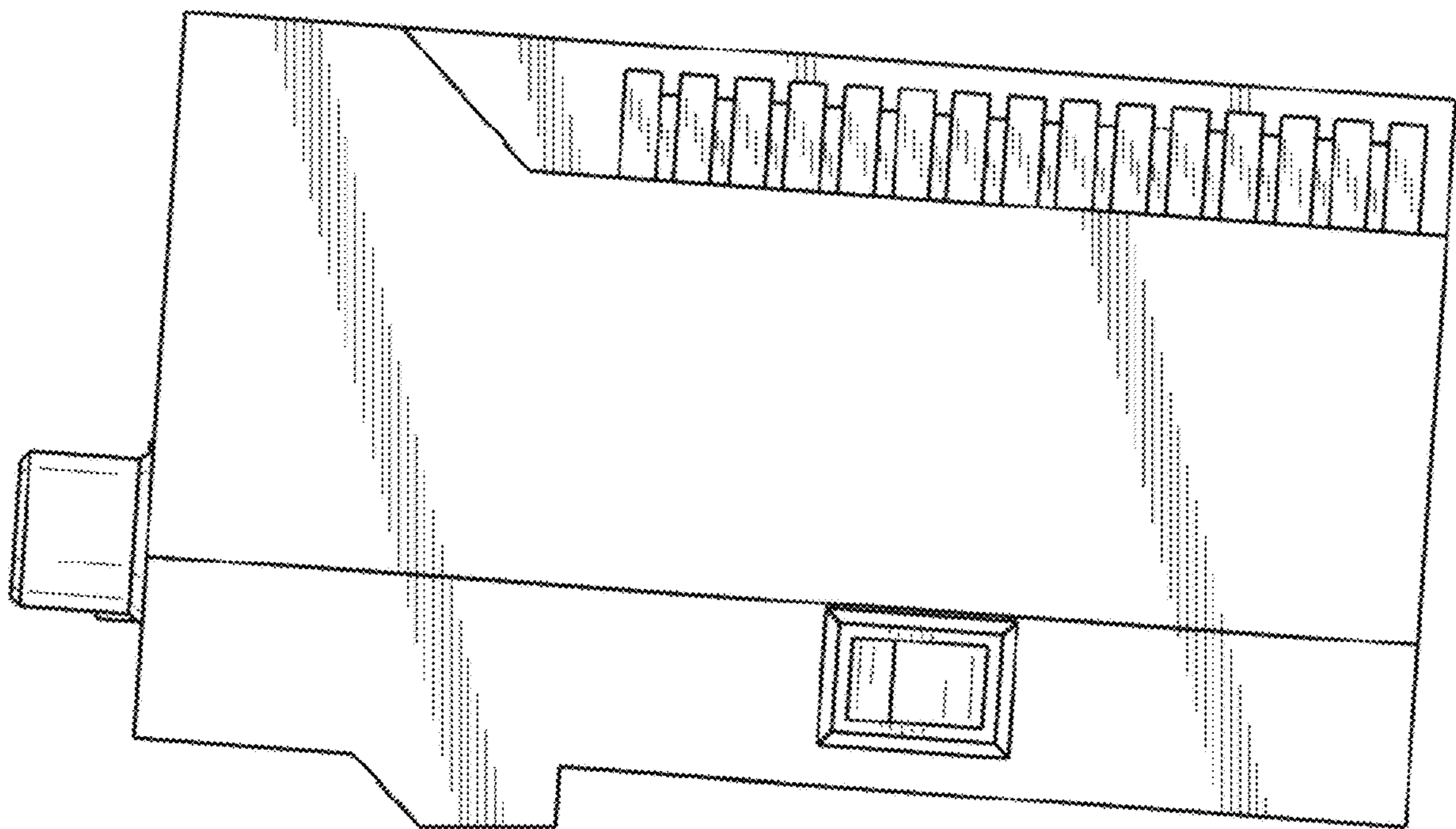


FIG. 5

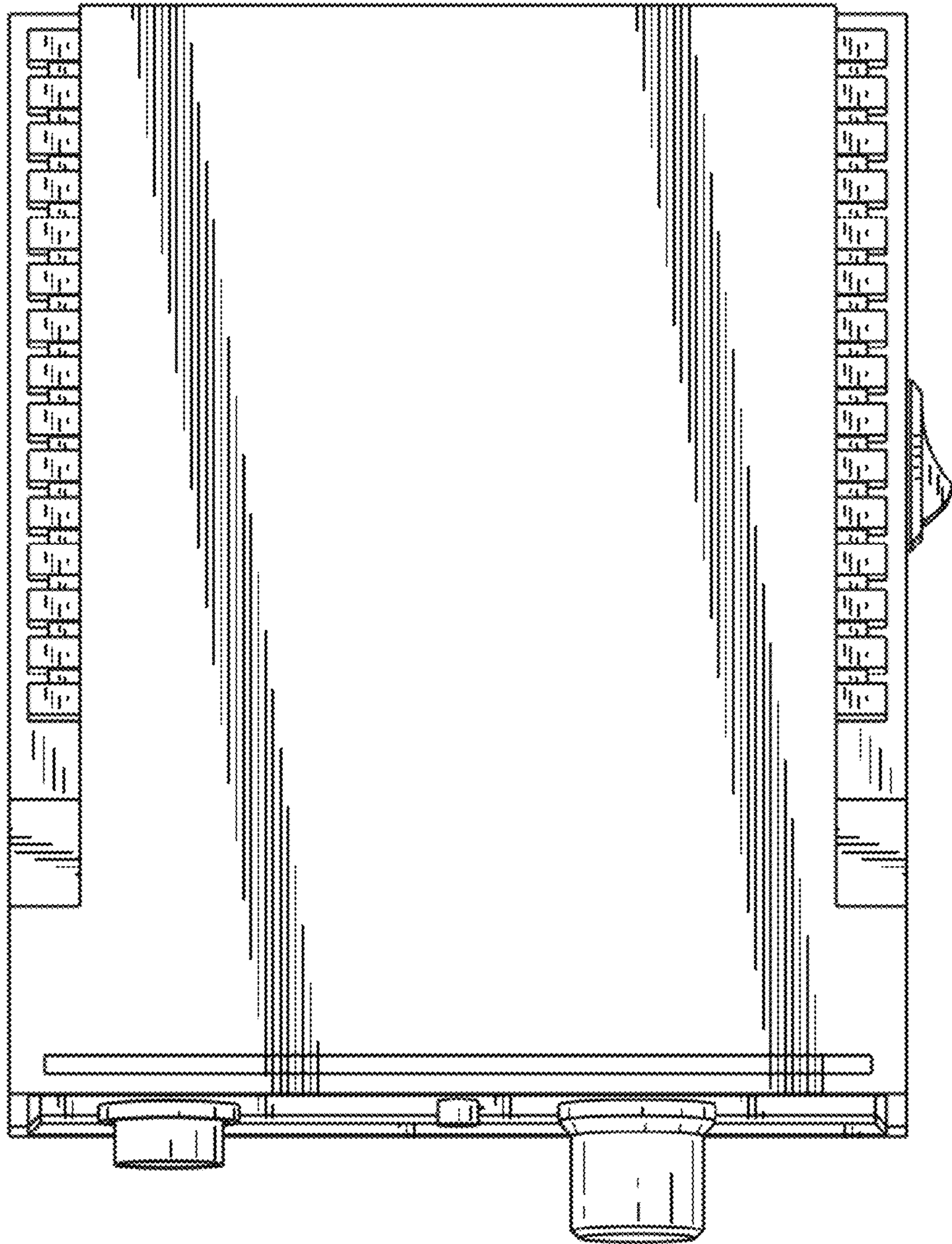


FIG. 6

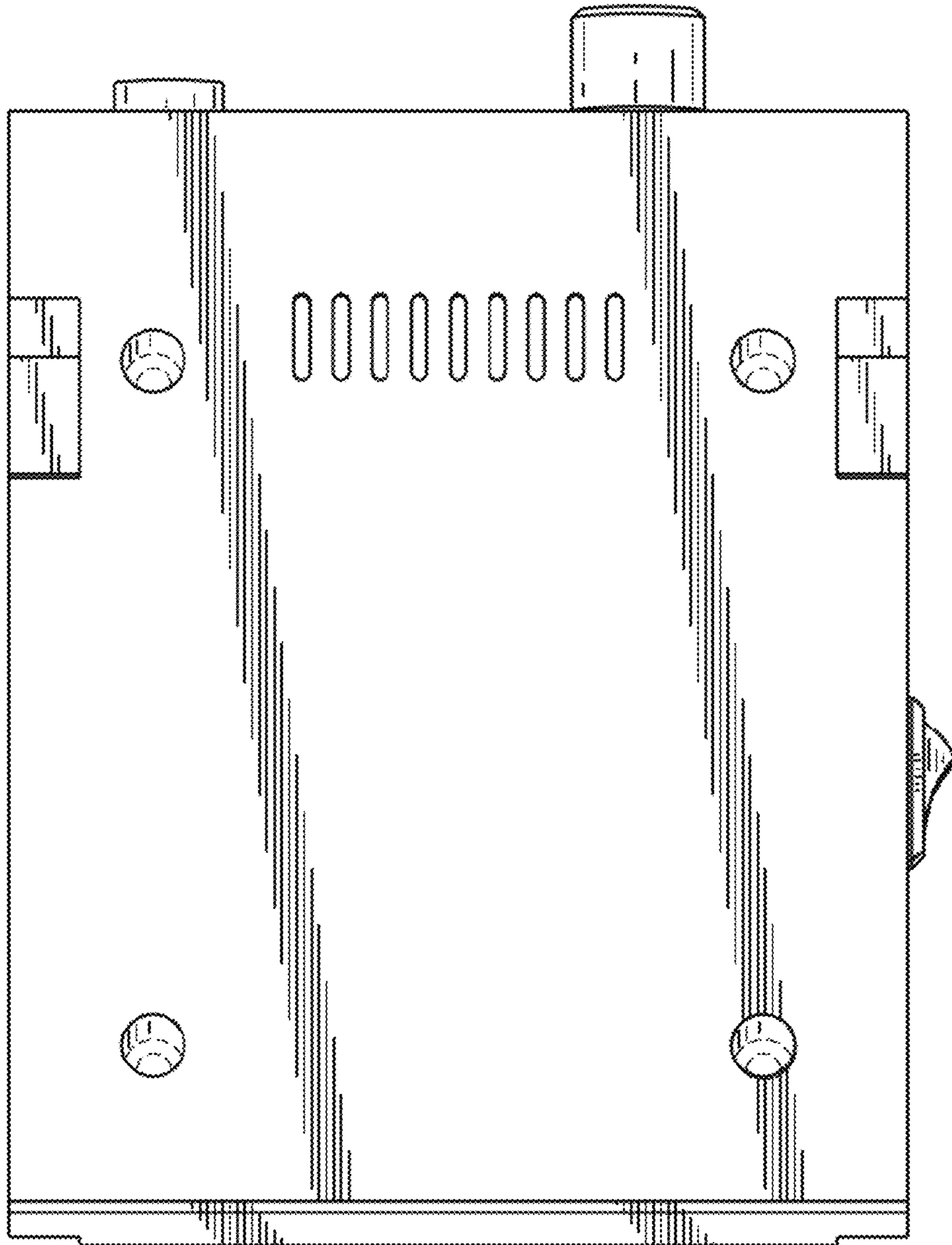


FIG. 7