

US00D920399S

(12) **United States Design Patent**  
**Shin et al.**

(10) **Patent No.:** **US D920,399 S**

(45) **Date of Patent:** **\*\* May 25, 2021**

(54) **LASER PROCESSING MACHINE**  
(71) Applicant: **HK CO., LTD.**, Hwaseong-si (KR)  
(72) Inventors: **Jung Hun Shin**, Hwaseong-si (KR);  
**Man Sik Park**, Hwaseong-si (KR)  
(73) Assignee: **HK CO., LTD.**, Hwaseong-si (KR)  
(\*\*) Term: **15 Years**  
(21) Appl. No.: **29/726,854**

D659,728 S \* 5/2012 Mueller ..... D15/122  
D667,031 S \* 9/2012 Mueller ..... D15/122  
D676,882 S \* 2/2013 Mueller ..... D15/122  
D683,771 S \* 6/2013 Shimano ..... D15/122  
D690,745 S \* 10/2013 Koide ..... D15/122  
D717,840 S \* 11/2014 Schonherr ..... D15/122  
D718,353 S \* 11/2014 Kato ..... D15/122  
D762,748 S \* 8/2016 Schonherr ..... D15/122  
D798,917 S \* 10/2017 Gallo ..... D15/122  
D866,621 S \* 11/2019 Gallo ..... D15/122  
D868,854 S \* 12/2019 Willey ..... D15/122  
D870,166 S \* 12/2019 Gallo ..... D15/127  
D884,754 S \* 5/2020 Andre ..... D15/122

(22) Filed: **Mar. 6, 2020**

(30) **Foreign Application Priority Data**

Feb. 24, 2020 (KR) ..... 30-2020-0008056

(51) **LOC (13) Cl.** ..... **15-09**

(52) **U.S. Cl.**  
USPC ..... **D15/127**; D15/122

(58) **Field of Classification Search**  
USPC ..... D15/122, 127, 133, 135, 138, 141  
CPC ..... B23K 26/00; B23K 26/02; B23K 26/706  
See application file for complete search history.

(56) **References Cited**

**U.S. PATENT DOCUMENTS**

4,468,160 A \* 8/1984 Campbell, Jr. .... B23Q 1/015  
144/135.2  
D276,529 S \* 11/1984 Campbell, Jr. .... D15/127  
4,741,232 A \* 5/1988 Myers ..... B23Q 1/015  
29/27 C  
D419,573 S \* 1/2000 Kawahara ..... D15/122  
D424,584 S \* 5/2000 Kawahara ..... D15/122  
D464,363 S \* 10/2002 Saito ..... D15/122  
D518,497 S \* 4/2006 Muraoka ..... D15/122  
D654,518 S \* 2/2012 Miyake ..... D15/122

**OTHER PUBLICATIONS**

<https://rvdmachinery.com/metal-working-products/laser-cutting-machines/> (Year: 2018).\*

\* cited by examiner

*Primary Examiner* — Patricia A Palasik

(74) *Attorney, Agent, or Firm* — Revolution IP, PLLC

(57) **CLAIM**

The ornamental design for a laser processing machine, as shown and described.

**DESCRIPTION**

FIG. 1 is a front, right perspective view of a laser processing machine showing the claimed design;  
FIG. 2 is a front view thereof;  
FIG. 3 is a rear view thereof;  
FIG. 4 is a left side view thereof;  
FIG. 5 is a right side view thereof;  
FIG. 6 is a top view thereof; and,  
FIG. 7 is a rear, left perspective view thereof.

**1 Claim, 7 Drawing Sheets**

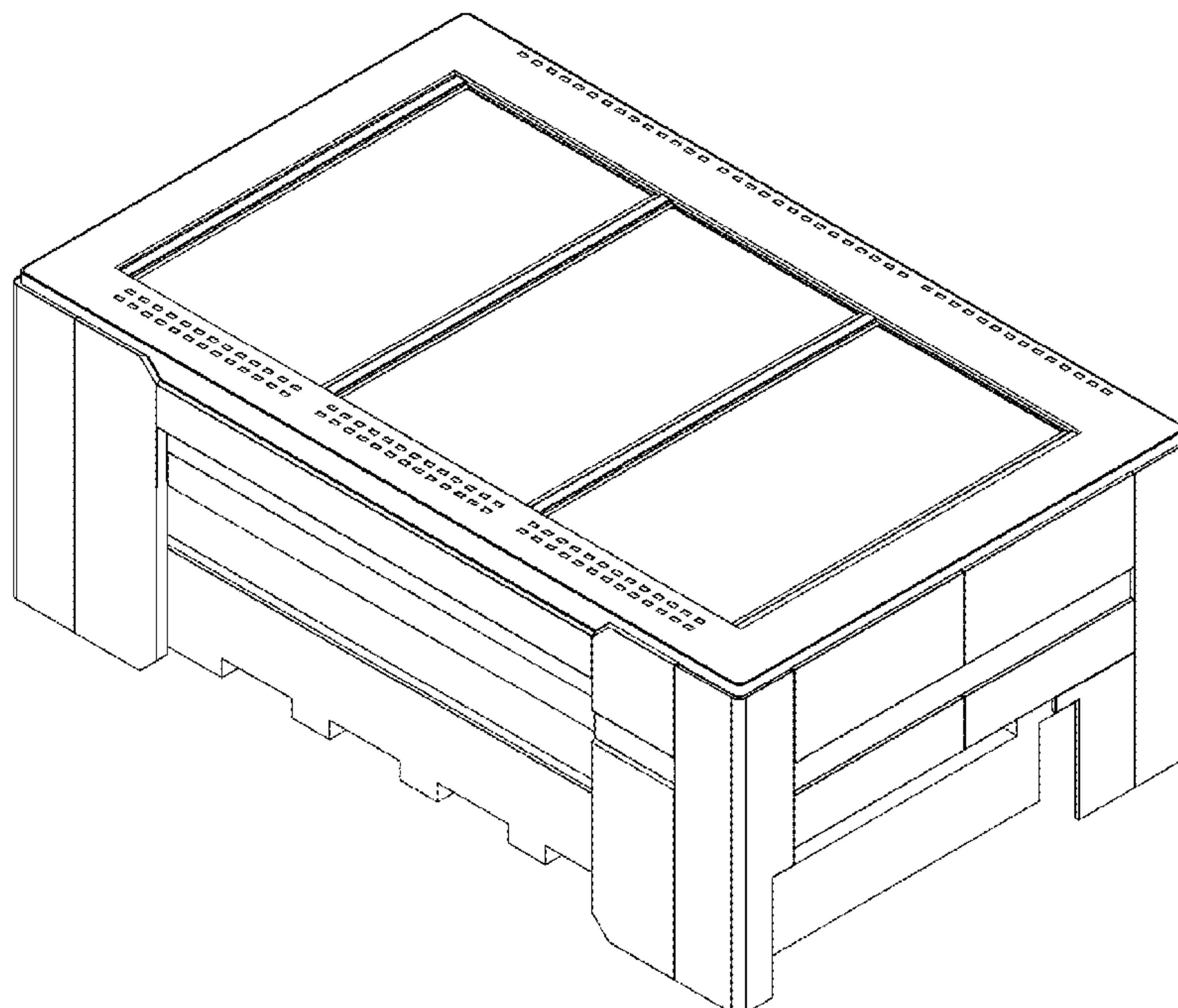


FIG. 1

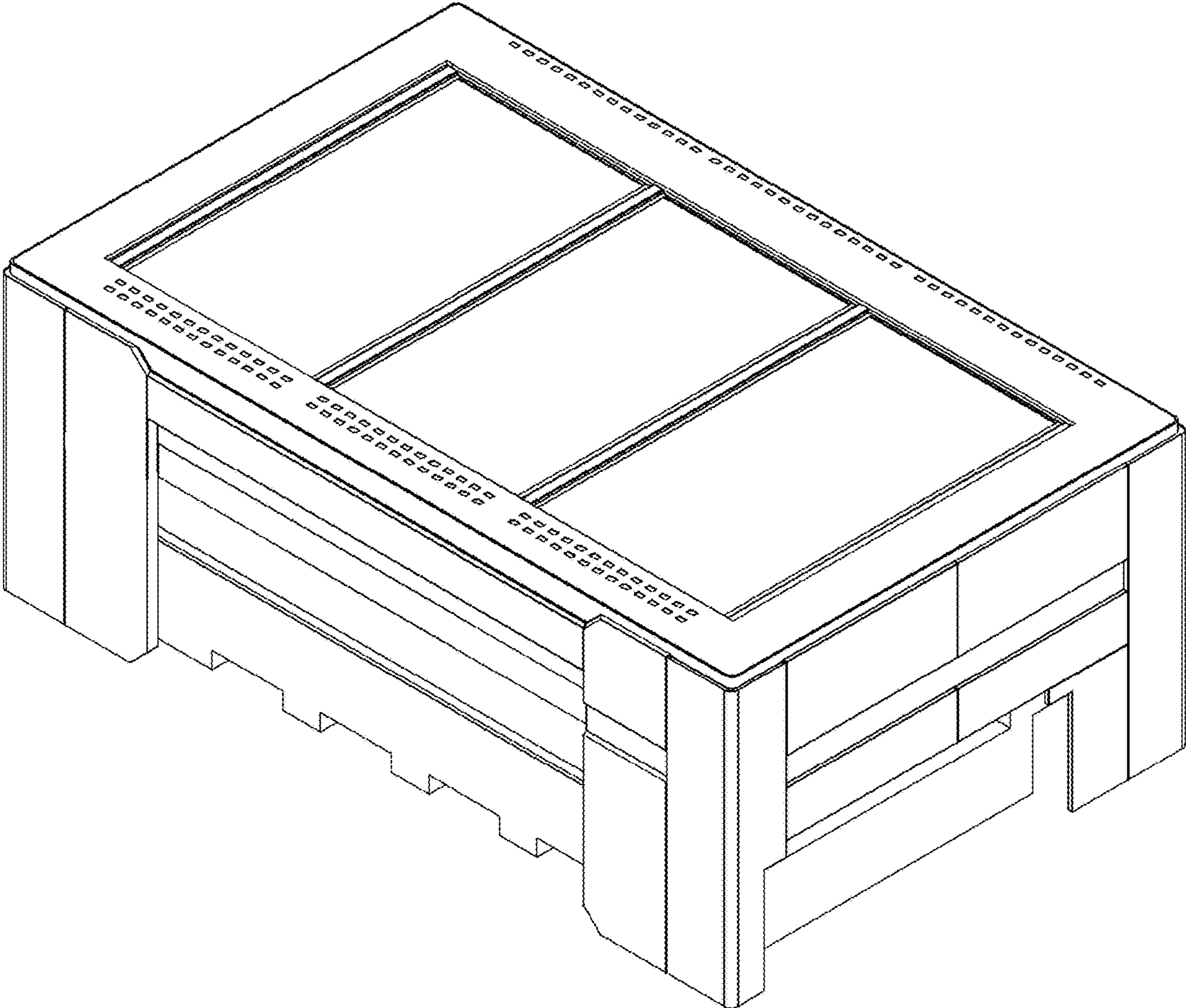


FIG. 2

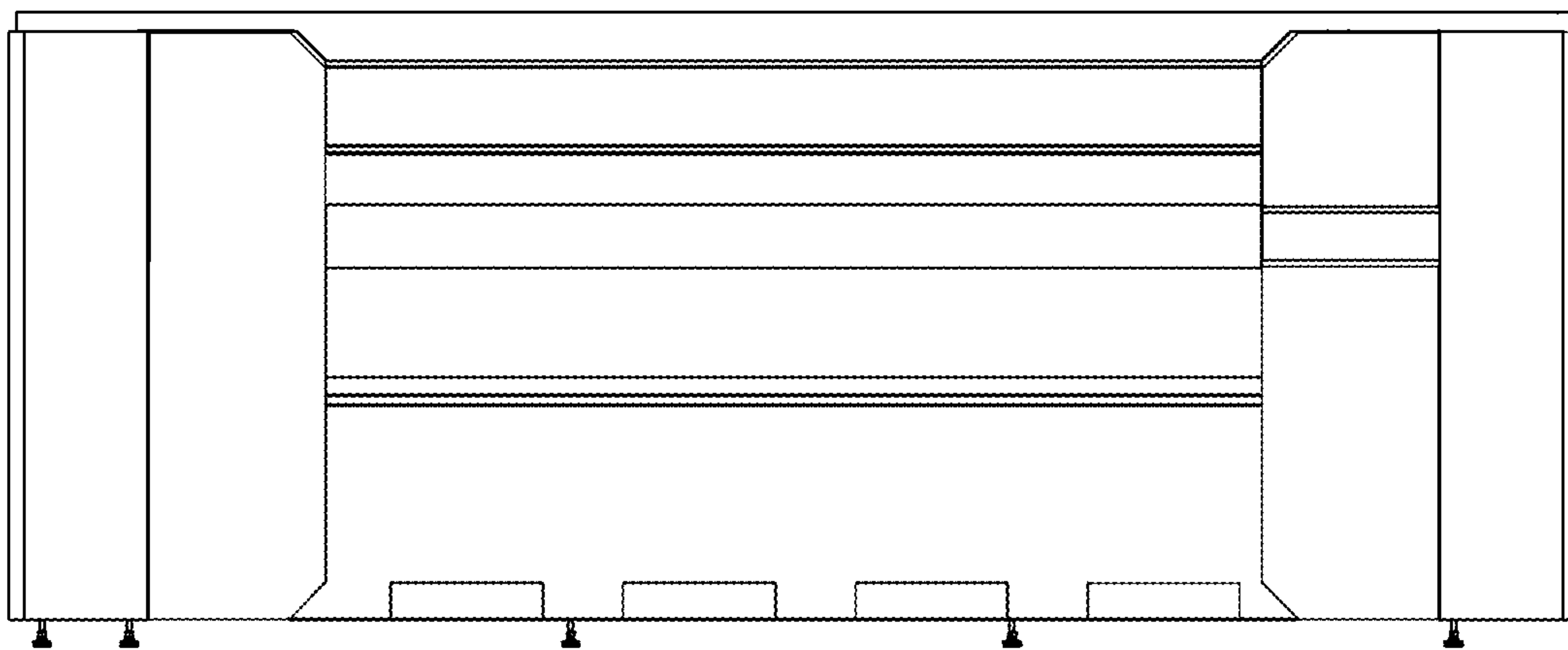


FIG. 3

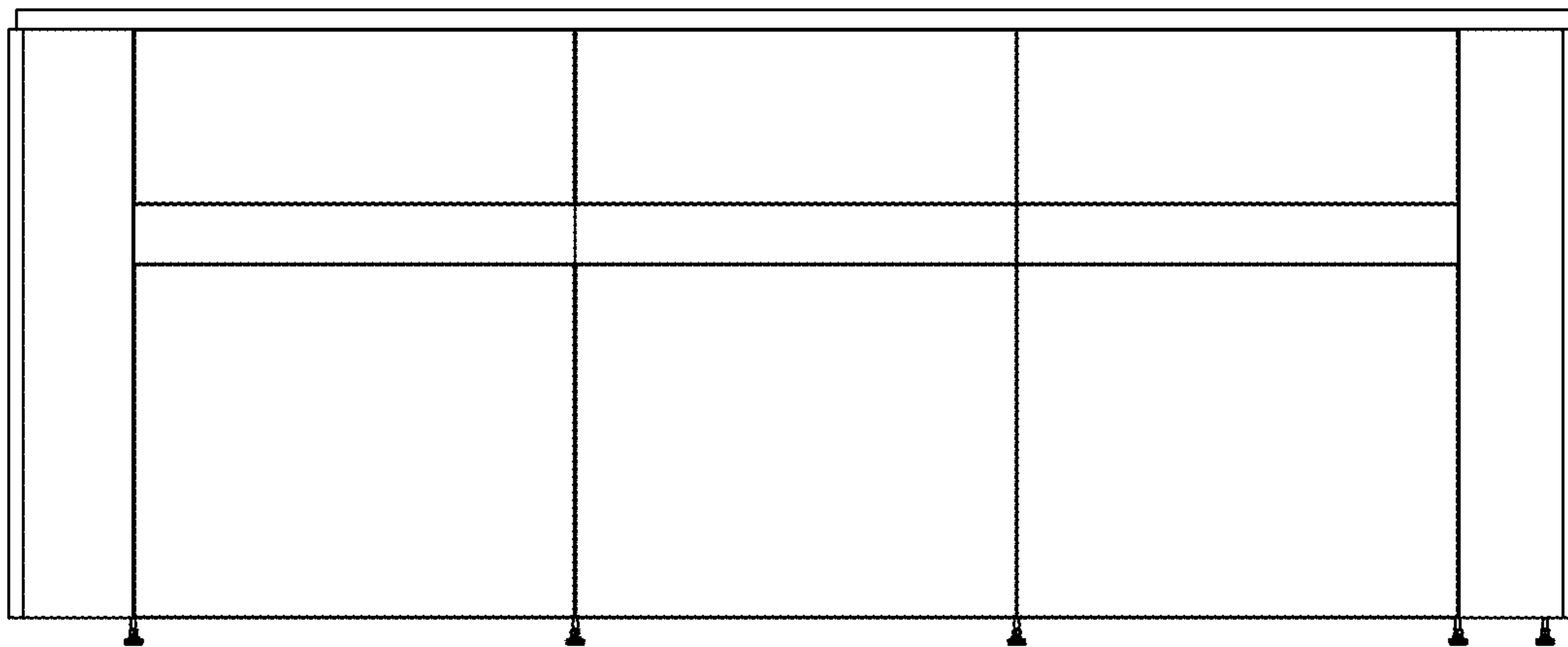


FIG. 4

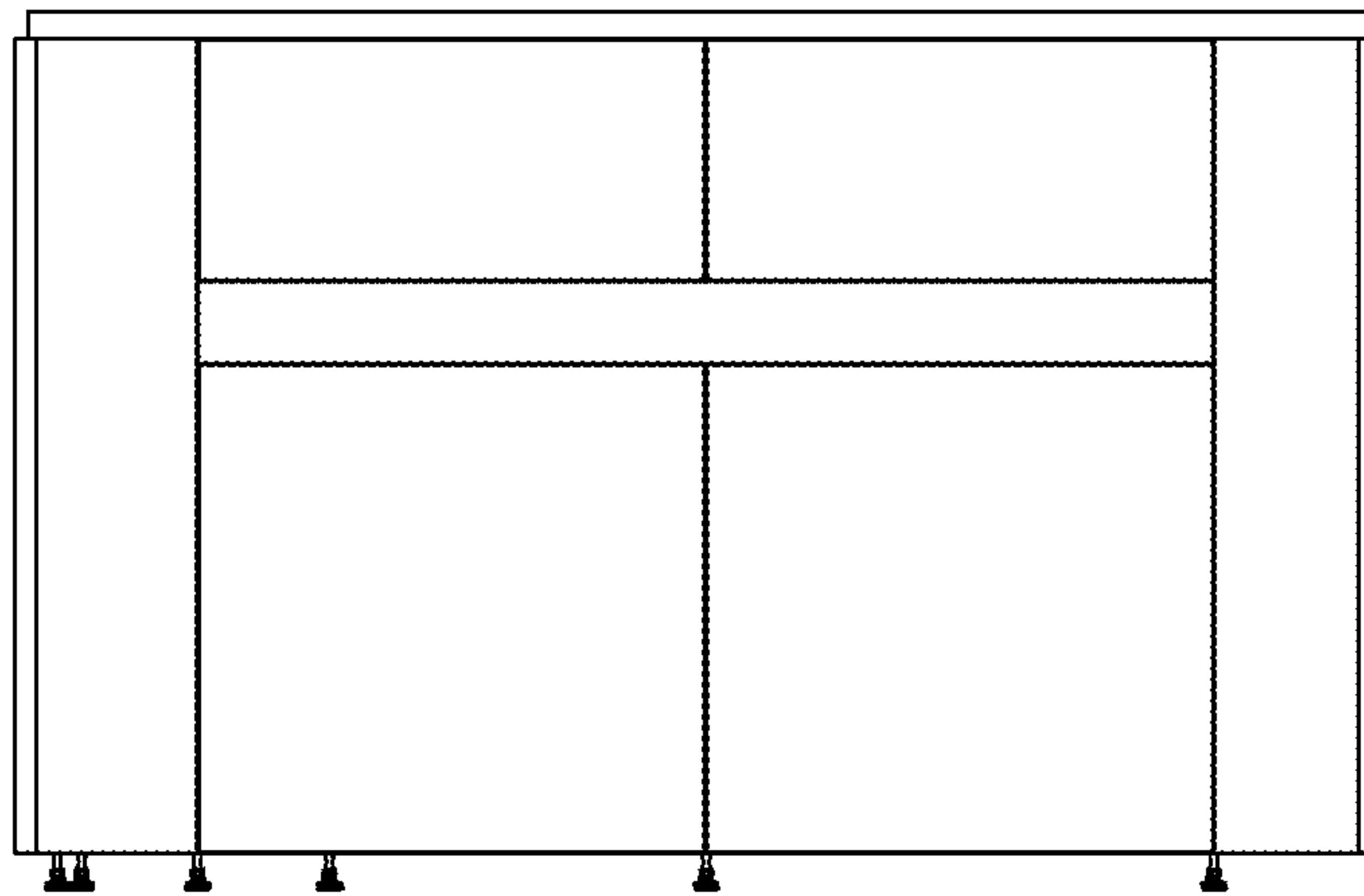


FIG. 5

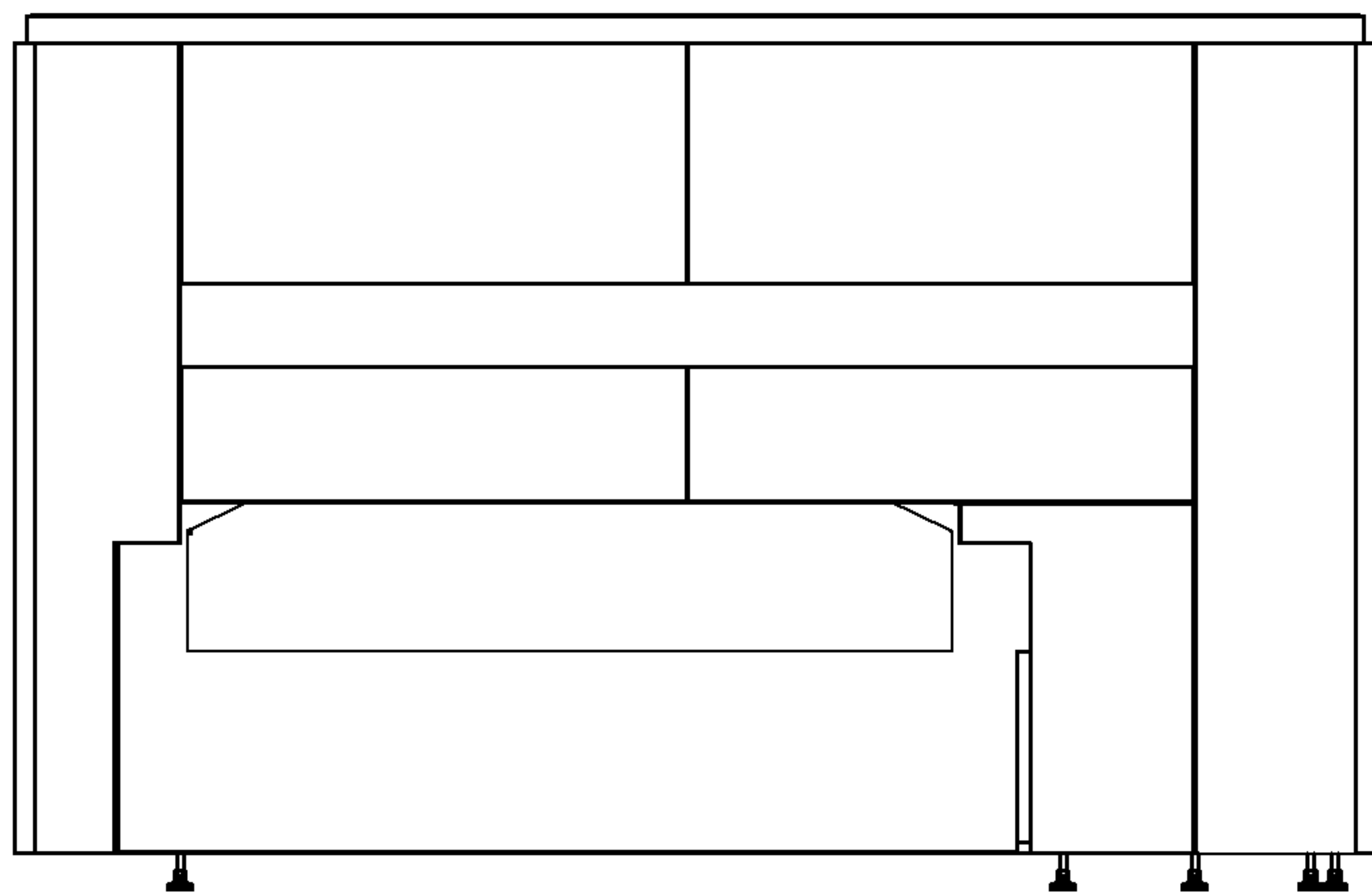


FIG. 6

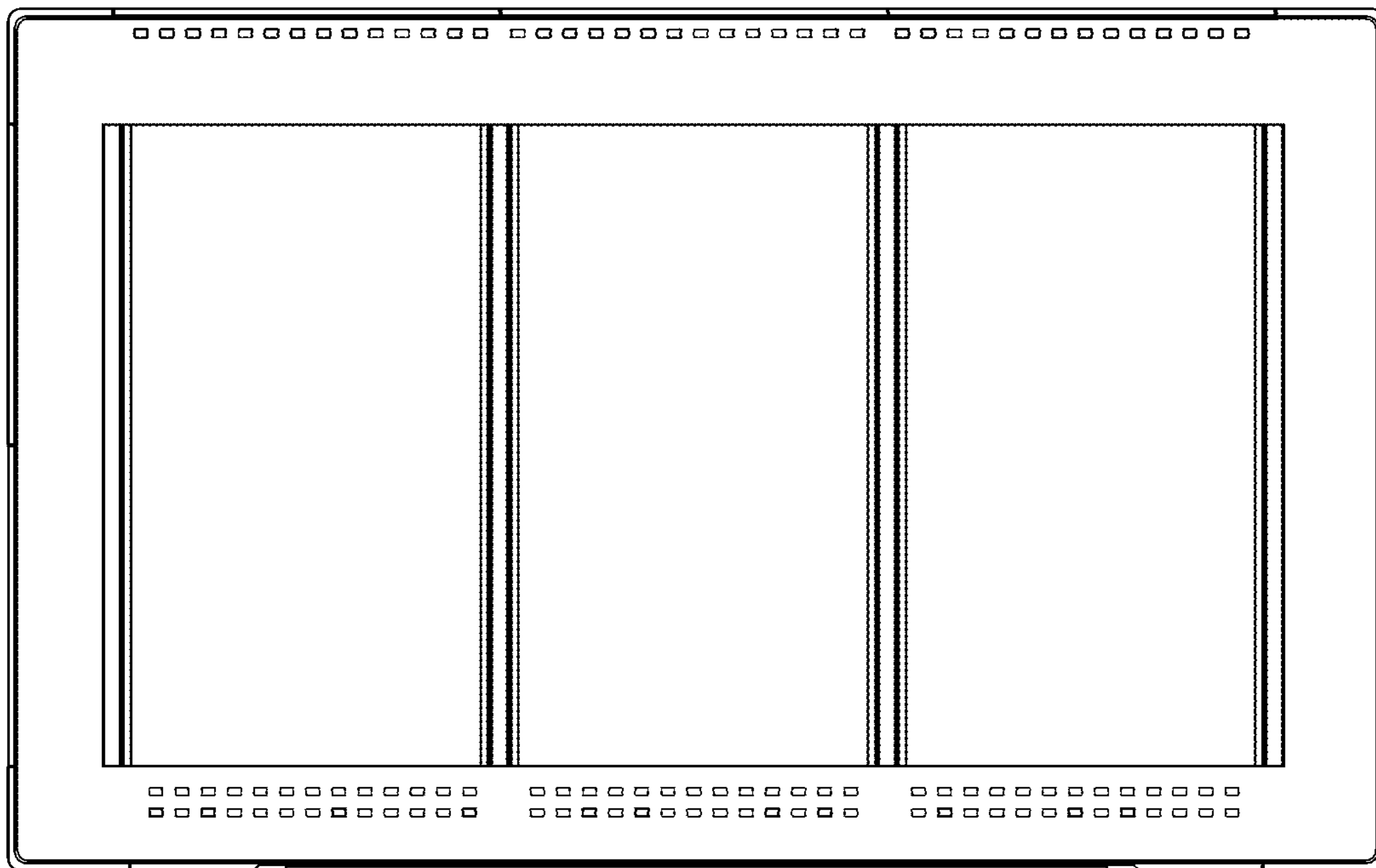




FIG. 7

