



US00D920396S

(12) **United States Design Patent** (10) **Patent No.:** **US D920,396 S**
Martocchio (45) **Date of Patent:** **** May 25, 2021**

(54) **ICE PRESS**
(71) Applicant: **Carmen Martocchio**, Vernon, CT (US)
(72) Inventor: **Carmen Martocchio**, Vernon, CT (US)
(**) Term: **15 Years**
(21) Appl. No.: **29/683,917**
(22) Filed: **Mar. 17, 2019**

(51) **LOC (13) Cl.** **15-07**
(52) **U.S. Cl.**
USPC **D15/90**; D15/123
(58) **Field of Classification Search**
USPC D15/122, 123, 135, 136, 79, 80, 90;
425/34.1, 128, 395, 422; 72/352; 164/6;
65/26, 70, 158; D7/368, 374, 553.6, 672
CPC B30B 15/02; B30B 15/022; B30B 15/064;
B30B 15/06; B30B 11/26; B30B 11/227;
B30B 9/3089; B30B 9/10; B21D 37/20;
B21D 37/10; B21D 22/02; B29C 43/36;
B29D 11/00009; A61K 8/365; A61K
8/347; A61K 8/676; A61K 8/19; A61K
8/022; A61K 8/498; A61K 8/922; A61K
8/20; A61Q 19/10; F25C 5/14; F25C 5/08
See application file for complete search history.

(56) **References Cited**

U.S. PATENT DOCUMENTS

548,546 A * 10/1895 Hillman B29C 43/00
425/395
1,639,430 A * 8/1927 Gammeter B29C 66/71
264/325
2,619,029 A * 11/1952 Gherbaz A01J 25/13
100/240
D272,128 S * 1/1984 Parmentier D15/90
D272,232 S * 1/1984 Parmentier D15/90
4,459,909 A * 7/1984 Takagi B30B 15/028
100/295
D284,825 S * 7/1986 Zinbarg D7/672

D284,826 S * 7/1986 Zinbarg D7/672
D286,124 S * 10/1986 Dempsey D7/501
D375,964 S * 11/1996 Poubouridis D15/136
D464,571 S * 10/2002 Hill D9/519
D485,660 S * 1/2004 Mocellin D99/5
D517,103 S * 3/2006 Ribeiro D15/90
D564,900 S * 3/2008 Green D9/504
7,963,500 B1 * 6/2011 Holiday B44C 5/00
249/168
D700,224 S * 2/2014 Kmoch D15/136
(Continued)

OTHER PUBLICATIONS

Buy Glacious LE 60mm Ice Ball Press (Anodized Gold) _ Create Huge Ice Spheres, Earliest Review with Photos Aug. 20, 2017 [Online], [Site Visited Dec. 2, 2020] Available From Internet, URL: <<https://www.amazon.in/Glacious-Press-Anodized-Create-Spheres/dp/B01N4G1M9T>> (Year: 2017).*

Primary Examiner — Sheryl Lane
Assistant Examiner — Mark T. Philipps
(74) *Attorney, Agent, or Firm* — Raymond A. Nuzzo

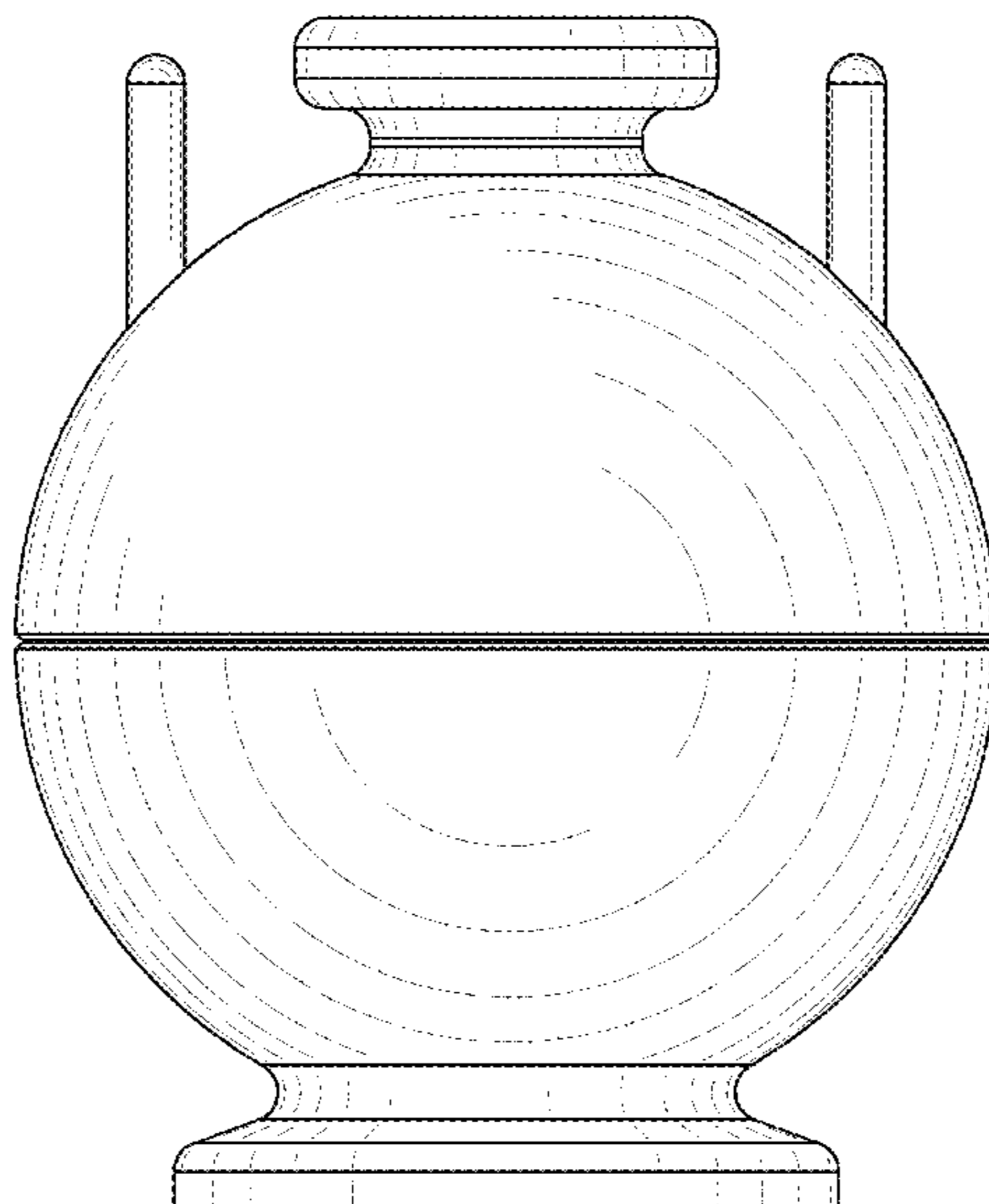
(57) **CLAIM**

The ornamental design for an ice press, as shown and described.

DESCRIPTION

FIG. 1 is a front elevational view of an ice press showing my new design;
FIG. 2 is a left side elevational view thereof;
FIG. 3 is a right side elevational view thereof;
FIG. 4 is a top plan view thereof;
FIG. 5 is a bottom plan view thereof;
FIG. 6 is a rear elevational view thereof; and,
FIG. 7 is a top perspective view thereof.
In the drawings, the broken lines are for the purpose of illustrating portions of the ice press that form no part of the claimed design.

1 Claim, 7 Drawing Sheets



(56)

References Cited

U.S. PATENT DOCUMENTS

8,882,489 B1 * 11/2014 Coomer F25C 5/14
425/407
D827,685 S * 9/2018 Carstens D15/136
D852,238 S * 6/2019 Kehoe D15/90
D899,470 S * 10/2020 Liu D15/90
D908,147 S * 1/2021 Steere D15/90
2003/0157996 A1 * 8/2003 Murphy A63B 37/0006
473/351
2003/0157997 A1 * 8/2003 Murphy B29C 66/636
473/351
2006/0082020 A1 * 4/2006 Veilleux B29C 45/14065
264/259
2018/0271754 A1 * 9/2018 Logrippo A61K 8/365
2019/0264970 A1 * 8/2019 Tarr F25C 5/14

* cited by examiner

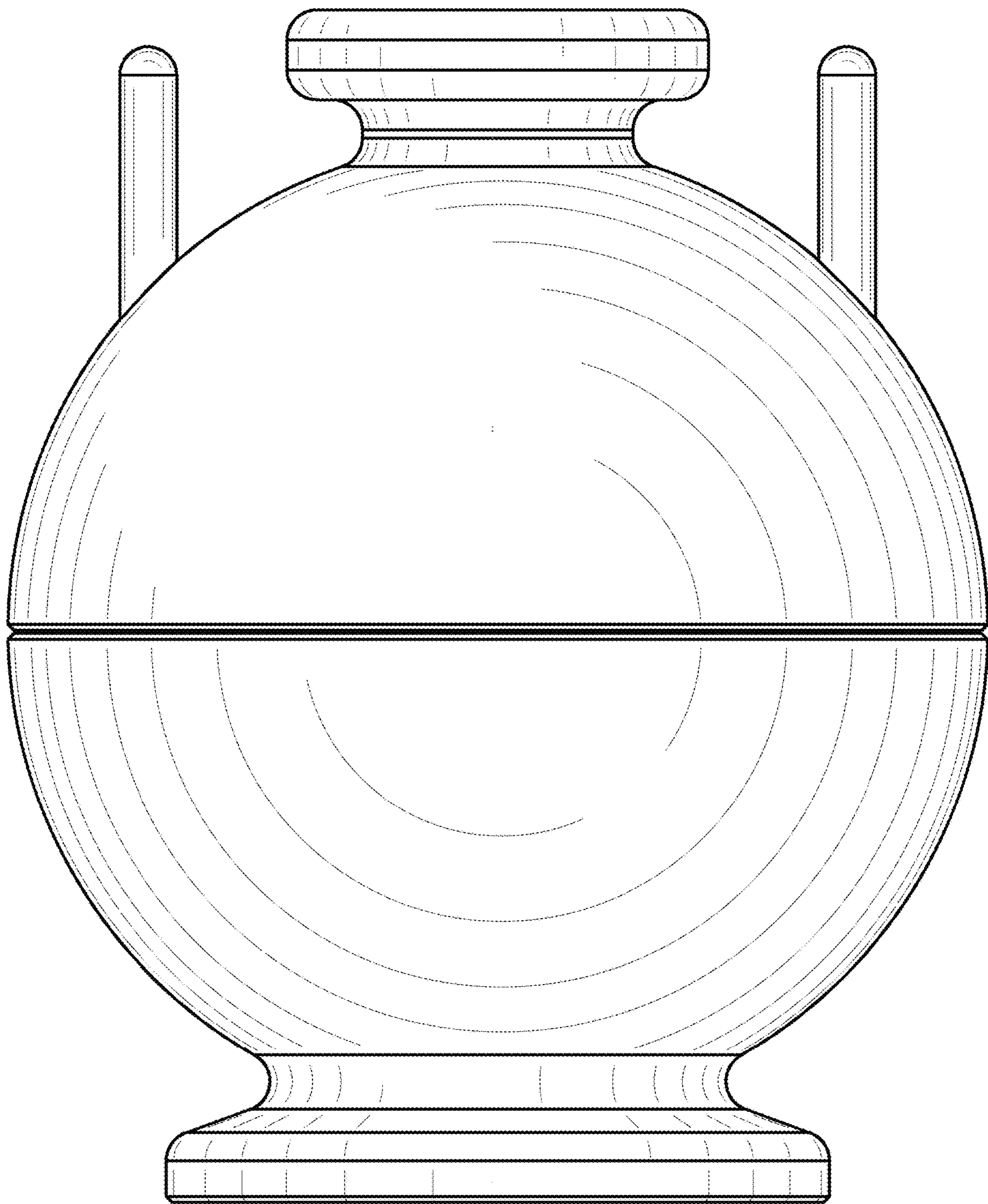


FIG. 1

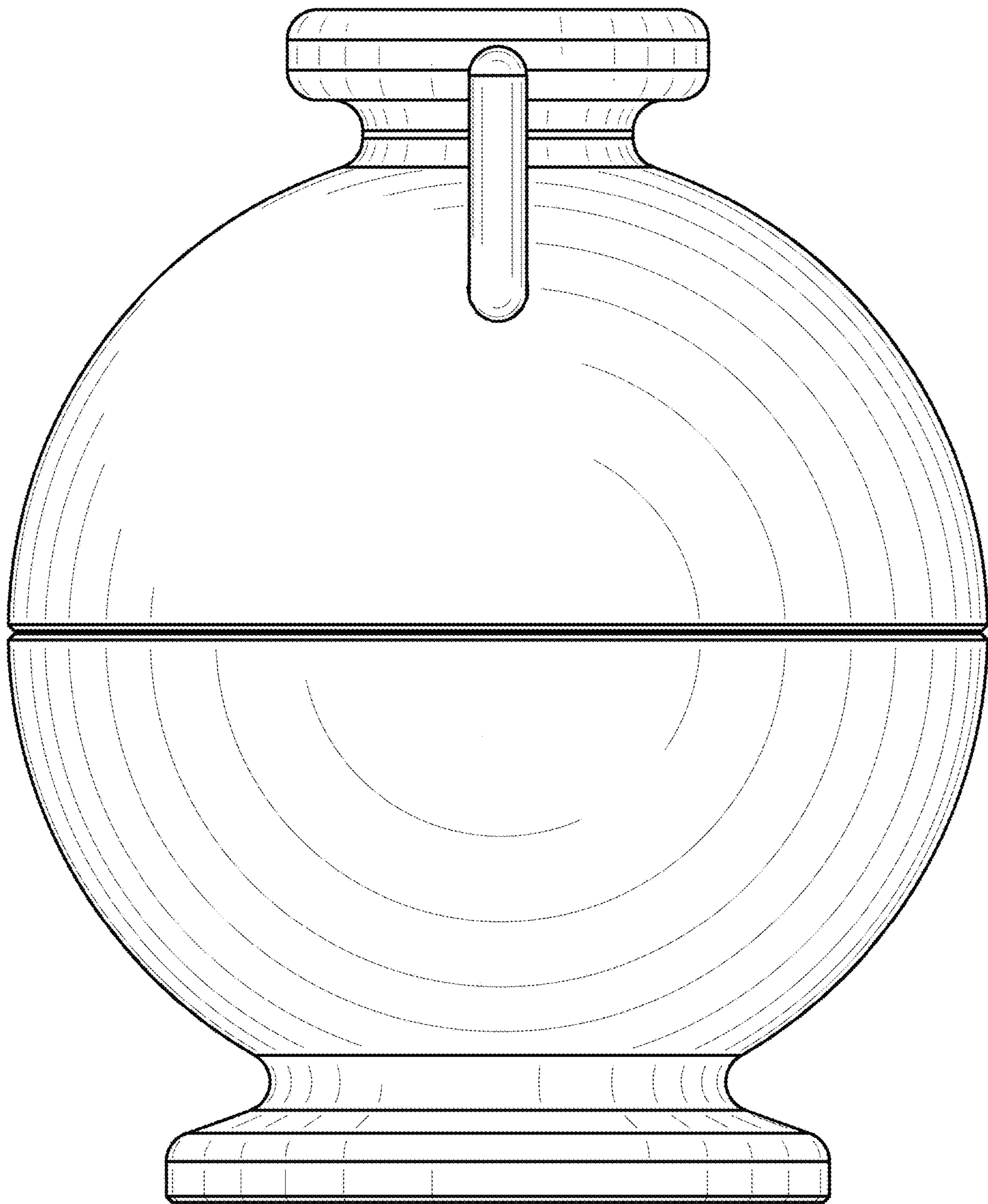


FIG. 2

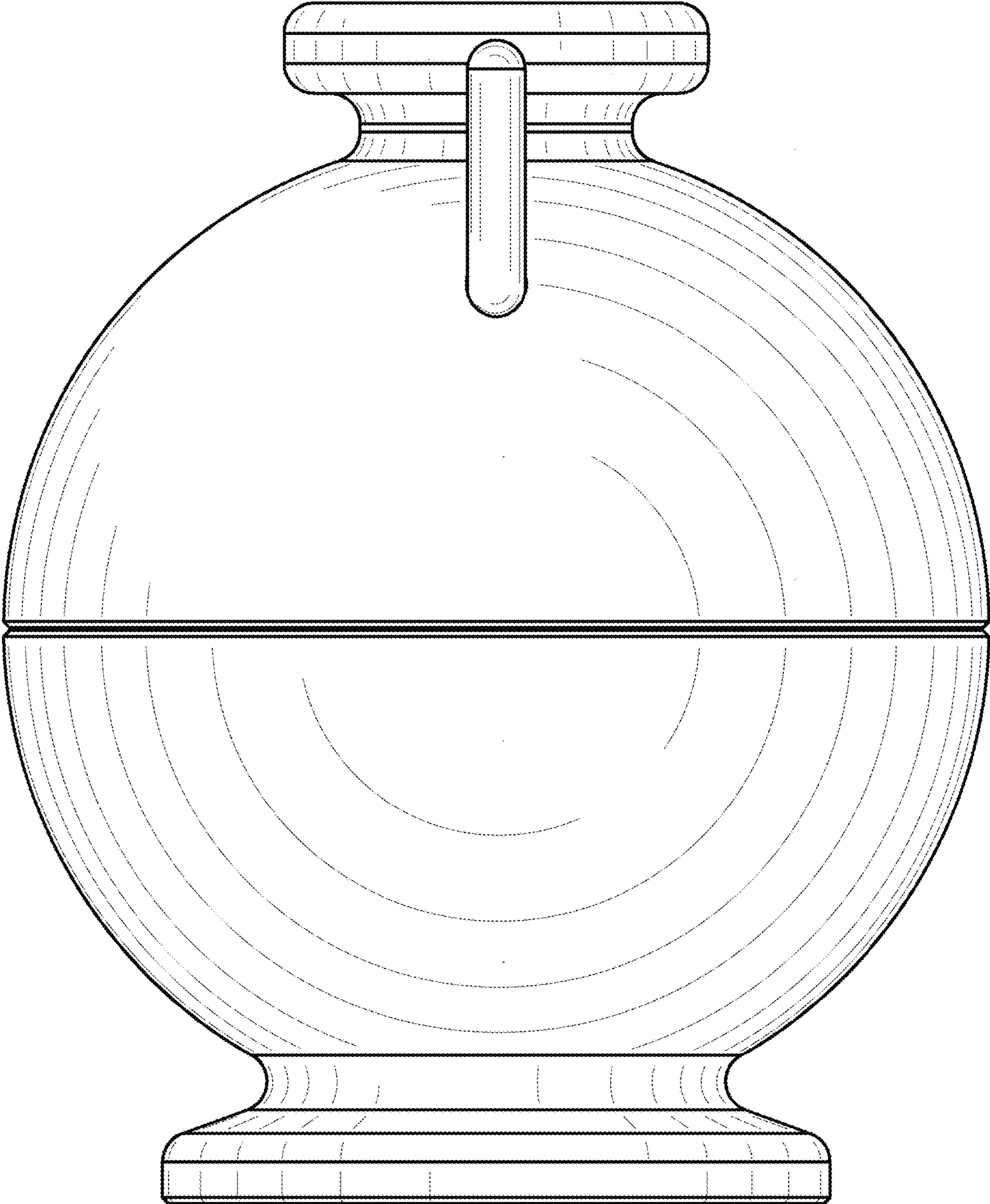


FIG. 3

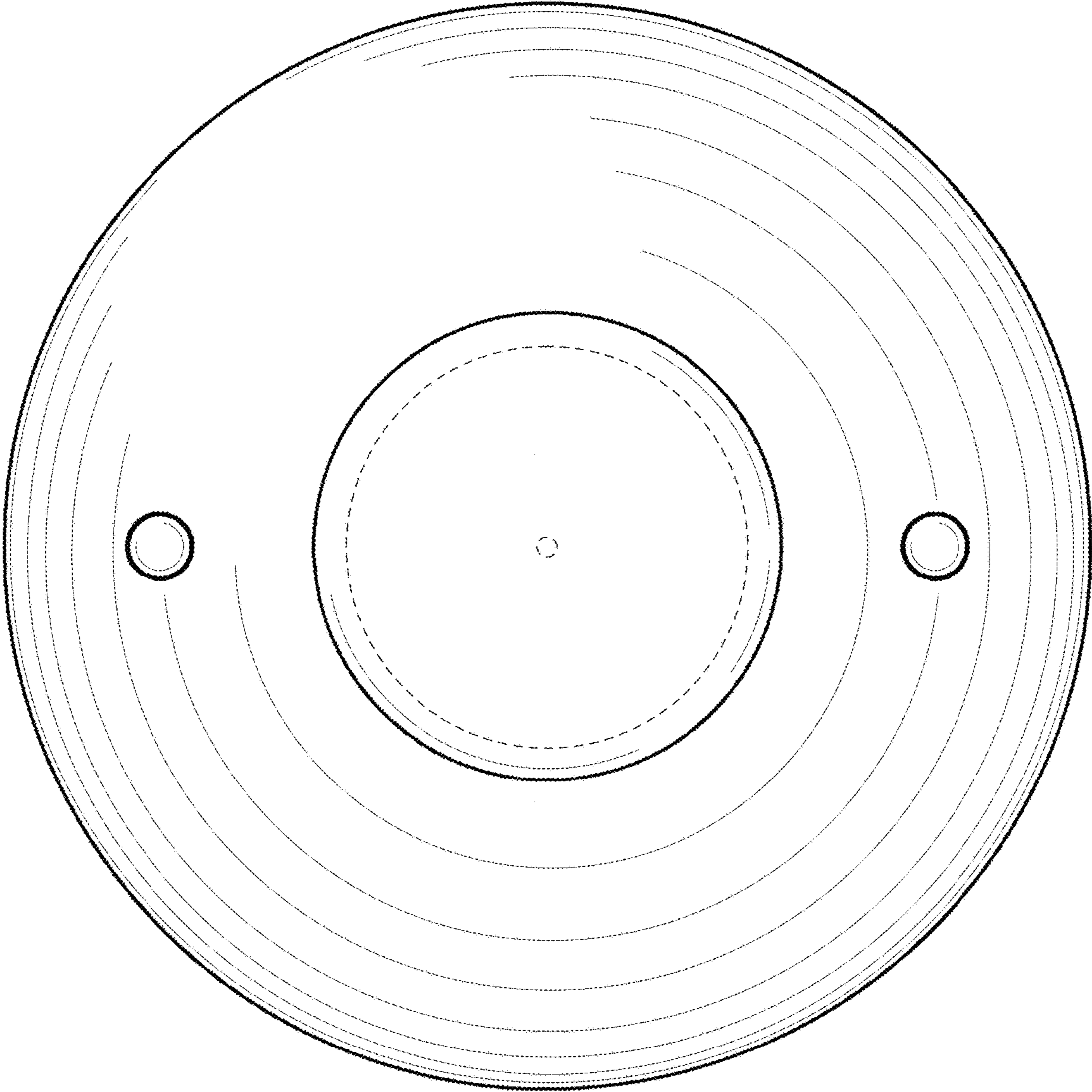


FIG. 4

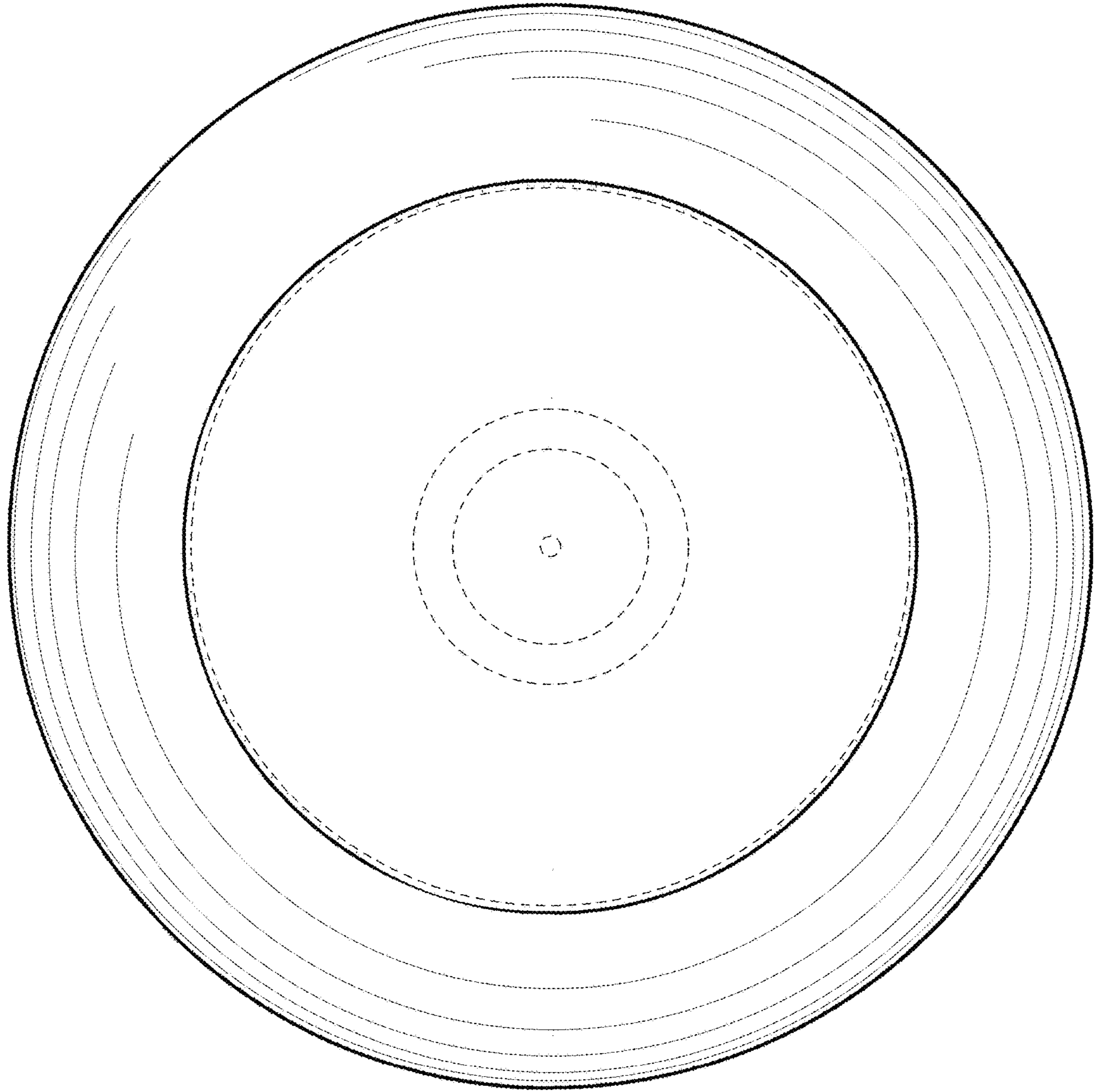


FIG. 5

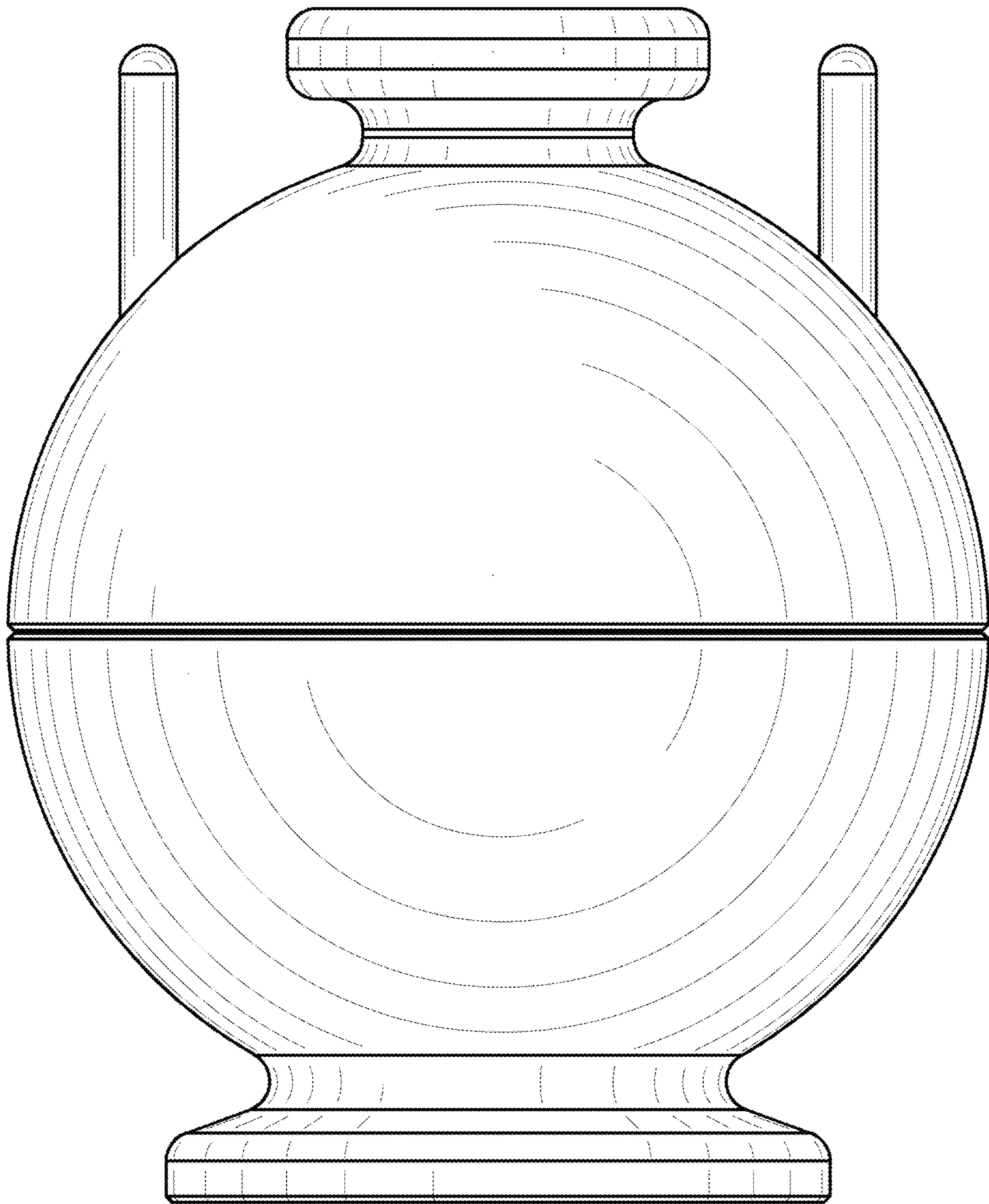


FIG. 6

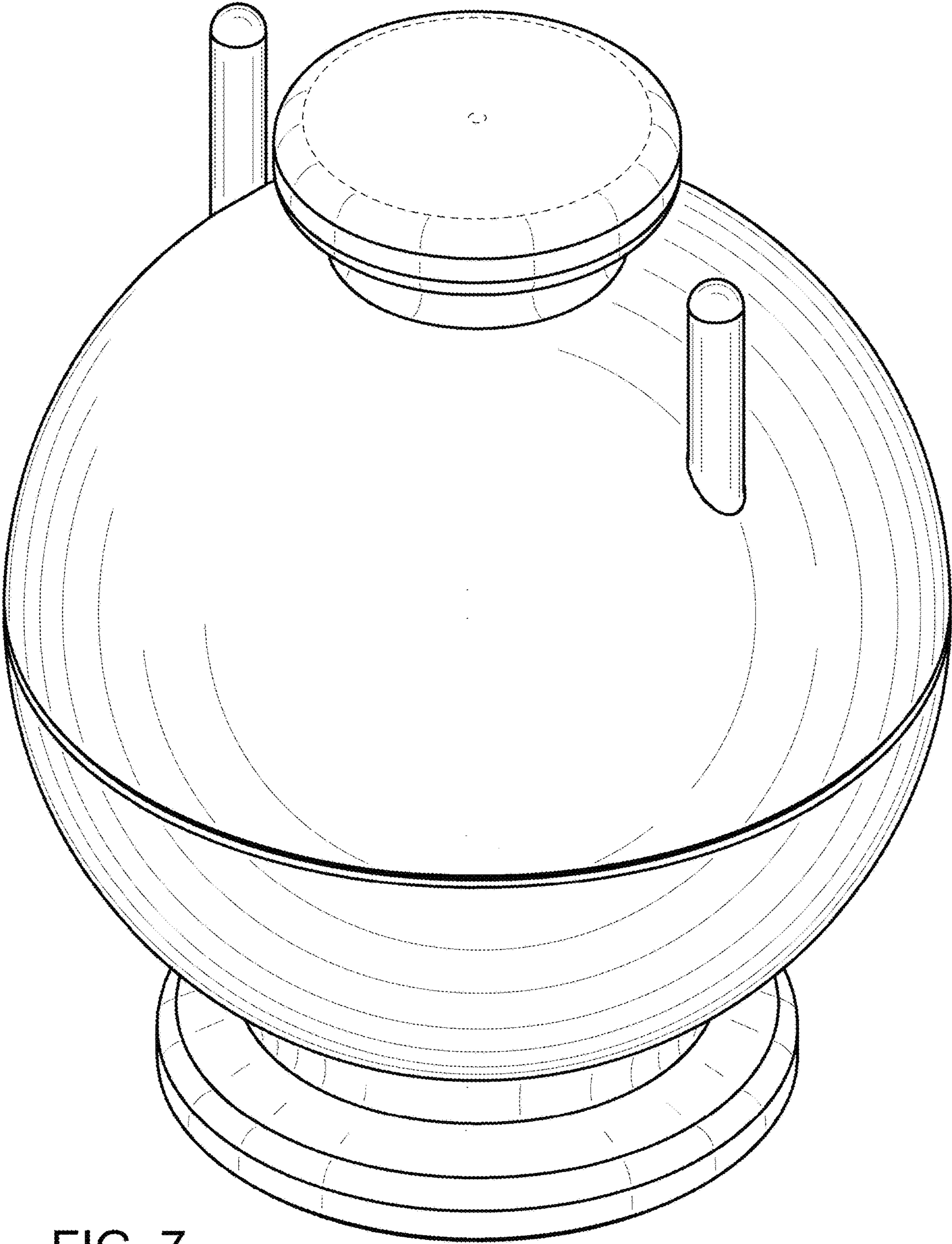


FIG. 7