



US00D920395S

(12) **United States Design Patent** (10) **Patent No.:** **US D920,395 S**
Broen et al. (45) **Date of Patent:** **** May 25, 2021**

(54) **COOLER**

(71) Applicant: **PepsiCo, Inc.**, Purchase, NY (US)

(72) Inventors: **Martin Eduardo Broen**, New York, NY (US); **Stephen Lim**, Chappaqua, NY (US); **Christian Stolarz**, Brooklyn, NY (US); **David Jennings Lucas**, Austin, TX (US); **Salvatore Michael Primo**, Austin, TX (US)

(73) Assignee: **PepsiCo, Inc.**, Purchase, NY (US)

(**) Term: **15 Years**

(21) Appl. No.: **29/693,065**

(22) Filed: **May 30, 2019**

Related U.S. Application Data

(63) Continuation of application No. 29/637,000, filed on Feb. 13, 2018, now Pat. No. Des. 850,499, which is a continuation of application No. 29/618,832, filed on Sep. 25, 2017, now Pat. No. Des. 852,235, which is a continuation of application No. 29/598,961, filed on Mar. 30, 2017, now Pat. No. Des. 799,565, and a continuation of application No. 29/586,252, filed on Dec. 1, 2016, now Pat. No. Des. 799,566, which is a continuation of application No. 29/539,858, filed on Sep. 17, 2015, now Pat. No. Des. 787,565, said application No. 29/598,961 is a continuation of application No. 29/539,858.

(51) **LOC (13) Cl.** **15-07**

(52) **U.S. Cl.**
USPC **D15/88**

(58) **Field of Classification Search**
USPC D15/79-91
CPC .. F25D 11/00; F25D 17/065; F25D 2325/022;
F25D 23/069; F25D 25/025; F25D 11/02;
F25D 17/062; F25D 21/12; F25D 21/125;
F25D 21/14; F25D 2317/061; F25D
2317/067; F25D 2323/021; F25D

2323/024; F25D 23/028; F25D 23/04;
F25D 23/066; F25D 23/085; F25D
23/087; F25D 23/126; F25D 2400/02;
F25D 2400/06; F25D 2400/361; F25D
2400/40; F25D 25/005; F25D 25/02;
F25D 2600/02; F25D 2700/02; F25D
2700/12; F25D 2700/121; F25D 2700/14;
F25D 29/00

See application file for complete search history.

(56) **References Cited**

U.S. PATENT DOCUMENTS

D244,019 S	4/1977	Brown
D271,107 S	10/1983	Trulaske
D363,398 S	10/1995	Branz et al.
D389,672 S	1/1998	Antao et al.
D395,968 S	7/1998	Shappell
5,803,560 A	9/1998	Trulaske, Sr. et al.
D404,935 S	2/1999	Shappell

(Continued)

Primary Examiner — Khawaja Anwar

(74) *Attorney, Agent, or Firm* — Sterne, Kessler, Goldstein & Fox P.L.L.C.

(57) **CLAIM**

The ornamental design for a cooler, as shown and described.

DESCRIPTION

FIG. 1 is a top front perspective view of a cooler showing the claimed design;

FIG. 2 is a front view thereof;

FIG. 3 is a rear view thereof;

FIG. 4 is a left side view thereof;

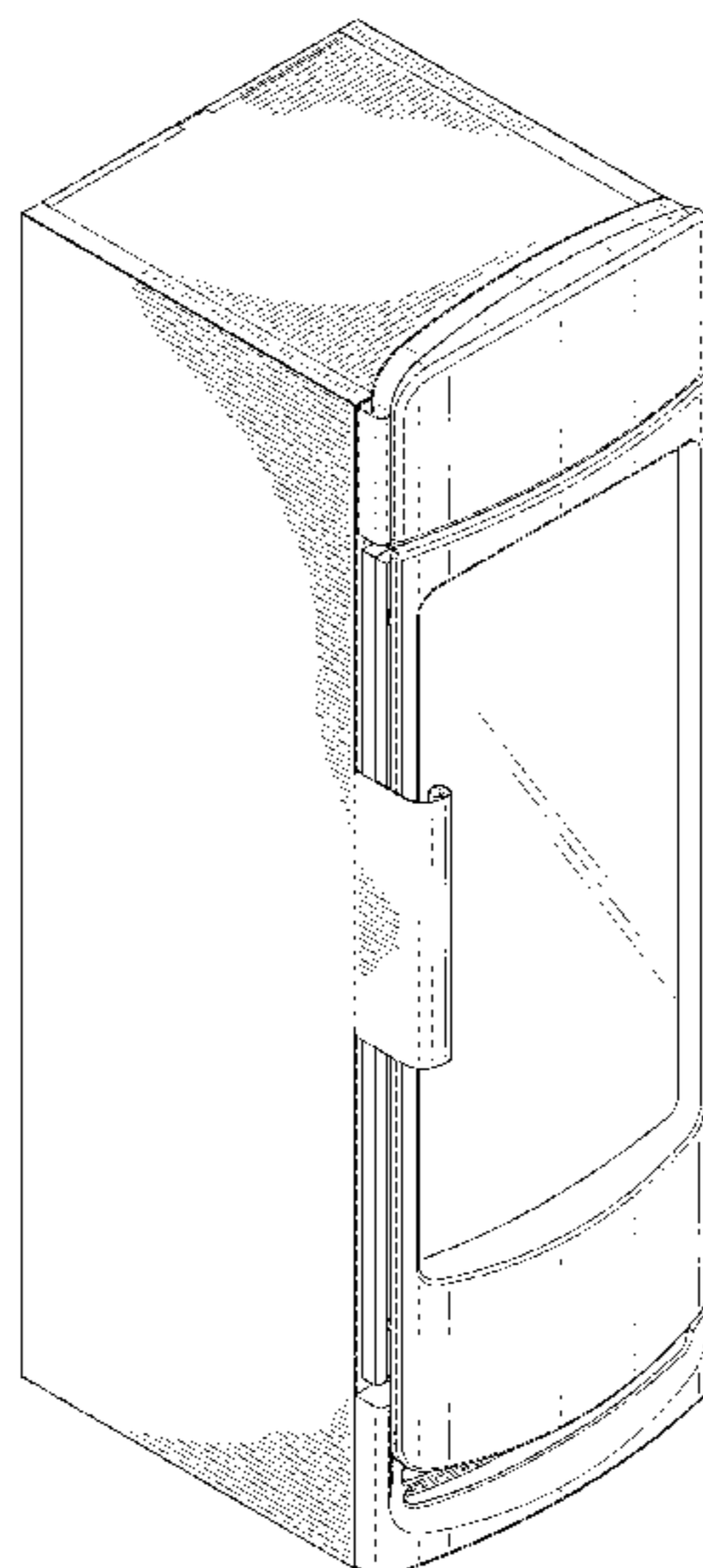
FIG. 5 is a right side view thereof;

FIG. 6 is a top view thereof; and,

FIG. 7 is a bottom view thereof.

The broken lines in the figures show portions of the cooler that form no part of the claimed design.

1 Claim, 7 Drawing Sheets



(56)

References Cited

U.S. PATENT DOCUMENTS

D421,534 S	3/2000	Trulaske, Sr. et al.	D748,196 S	1/2016	Kahn et al.	
D423,019 S	4/2000	Bardin et al.	D748,689 S	2/2016	Girardi	
D449,844 S	10/2001	Kim	D762,741 S	8/2016	Galiatsis	
D481,224 S	10/2003	Draper	D762,742 S	8/2016	Galiatsis	
D481,740 S	11/2003	Li et al.	D765,151 S	8/2016	Park et al.	
D506,630 S	6/2005	Schweikarth	D773,539 S	12/2016	Kim et al.	
D513,014 S	12/2005	Seki	D776,171 S	1/2017	Wang et al.	
D518,836 S	4/2006	Reese et al.	9,532,660 B2	1/2017	Jafa et al.	
D519,528 S	4/2006	Reese	D787,565 S	5/2017	Broen et al.	
D520,030 S	5/2006	Reese et al.	D799,565 S *	10/2017	Broen	D15/81
D520,532 S	5/2006	Reese et al.	D803,277 S	11/2017	Stolarz et al.	
D520,533 S	5/2006	Reese et al.	D850,499 S *	6/2019	Broen	D15/91
D541,315 S	4/2007	Trulaske, Sr.	D852,235 S *	6/2019	Broen	D15/89
D630,230 S	1/2011	Yang	D867,407 S *	11/2019	Wang	D15/79
D646,307 S	10/2011	Schaffer et al.	D867,408 S *	11/2019	Wang	D15/79
D671,574 S	11/2012	Jafa et al.	D867,409 S *	11/2019	Wang	D15/79
D671,575 S	11/2012	Jafa et al.	D893,558 S *	8/2020	Stolarz	D15/81
D671,576 S	11/2012	Jafa et al.	2007/0003700 A1	1/2007	Roche et al.	
D692,467 S	10/2013	Brenneis et al.	2008/0307815 A1	12/2008	Daddis, Jr. et al.	
D693,379 S	11/2013	Brenneis et al.	2009/0045712 A1	2/2009	Laible	
D723,594 S	3/2015	Kim et al.	2009/0072679 A1	3/2009	Avila et al.	
D736,272 S	8/2015	Stolarz et al.	2009/0272136 A1	11/2009	Knoll et al.	
D736,276 S	8/2015	Kim	2009/0314028 A1	12/2009	Laible	
D746,879 S	1/2016	Stolarz et al.	2010/0018233 A1	1/2010	Jafa et al.	
D747,367 S	1/2016	Stolarz et al.	2010/0180615 A1	7/2010	Linder et al.	
			2011/0100044 A1	5/2011	Reichert et al.	
			2011/0172813 A1	7/2011	Baric	

* cited by examiner

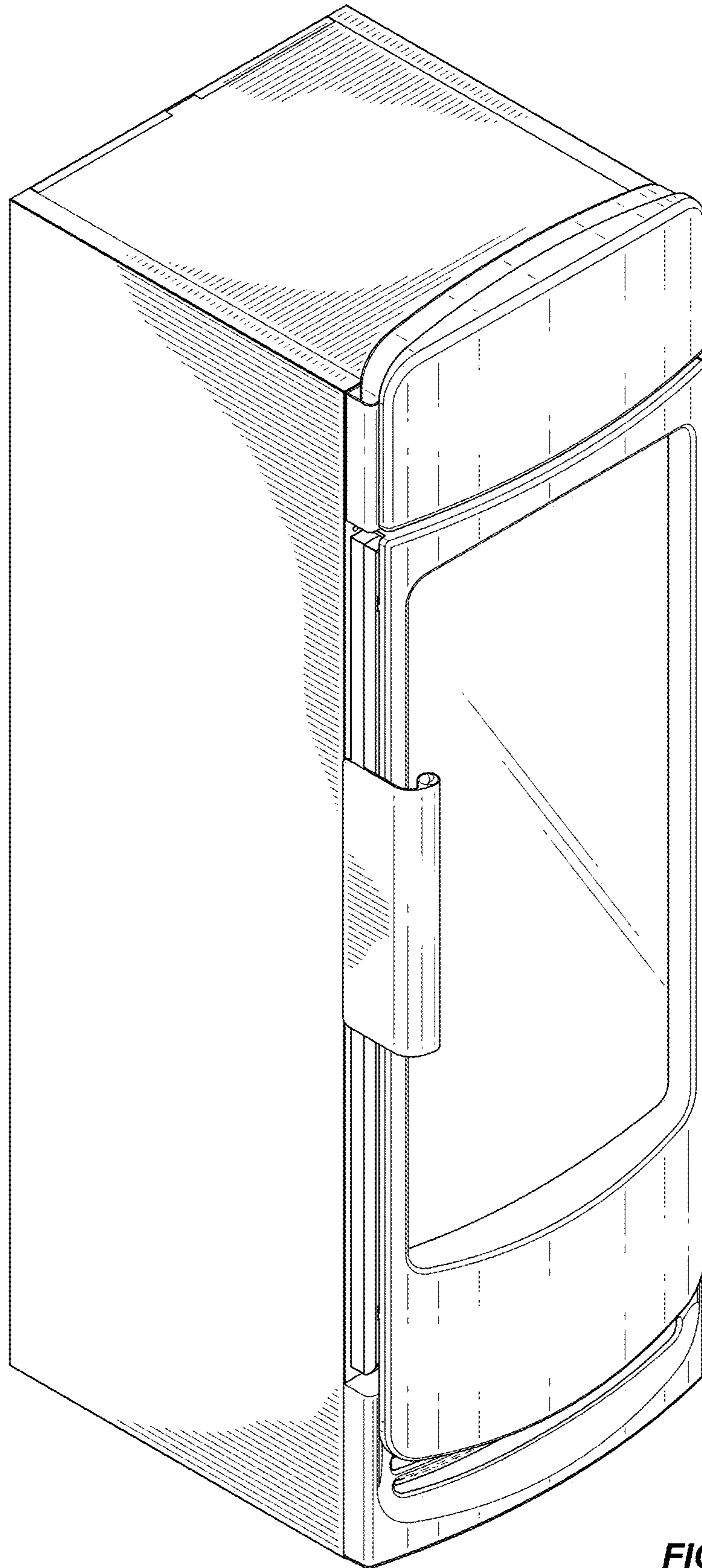


FIG. 1

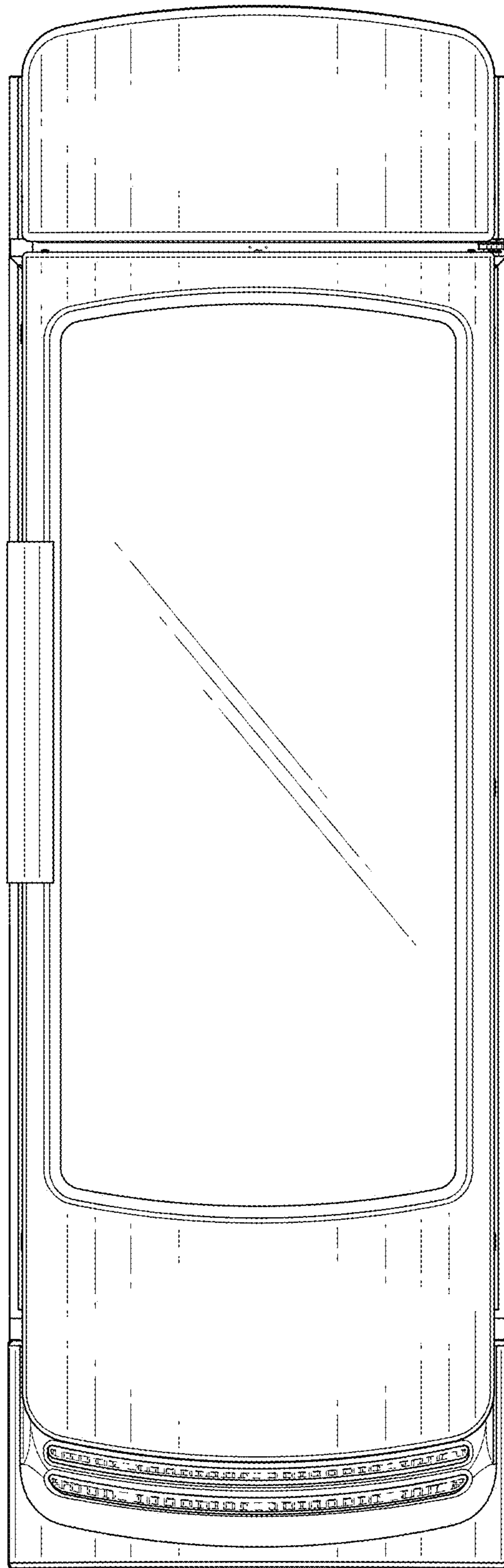


FIG. 2

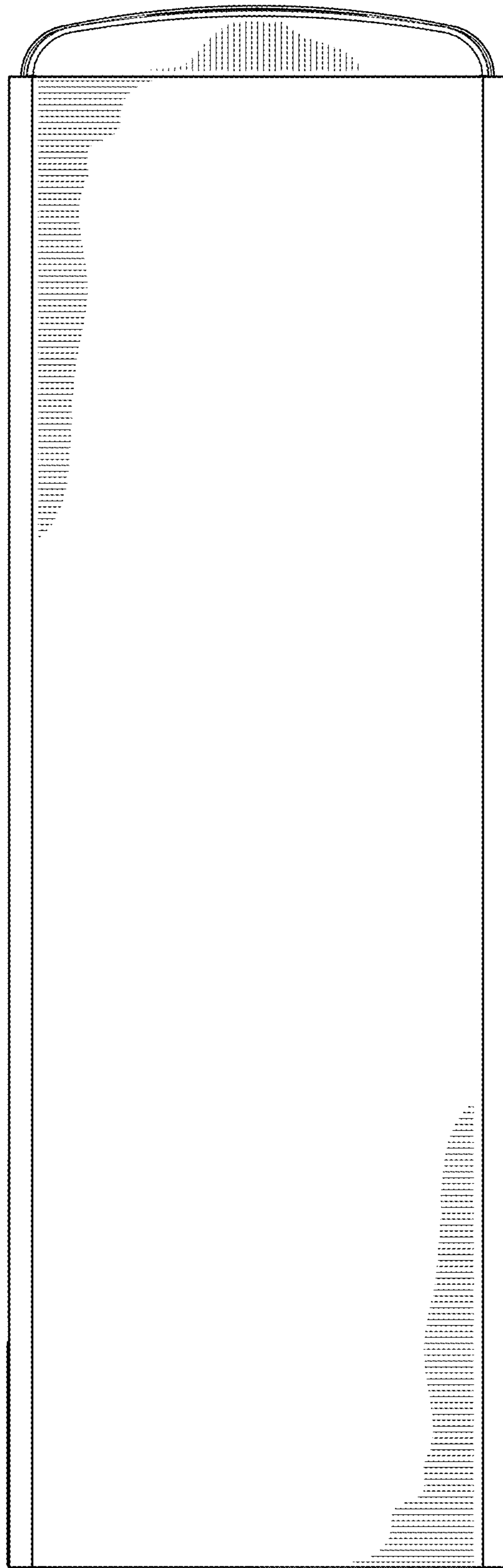


FIG. 3

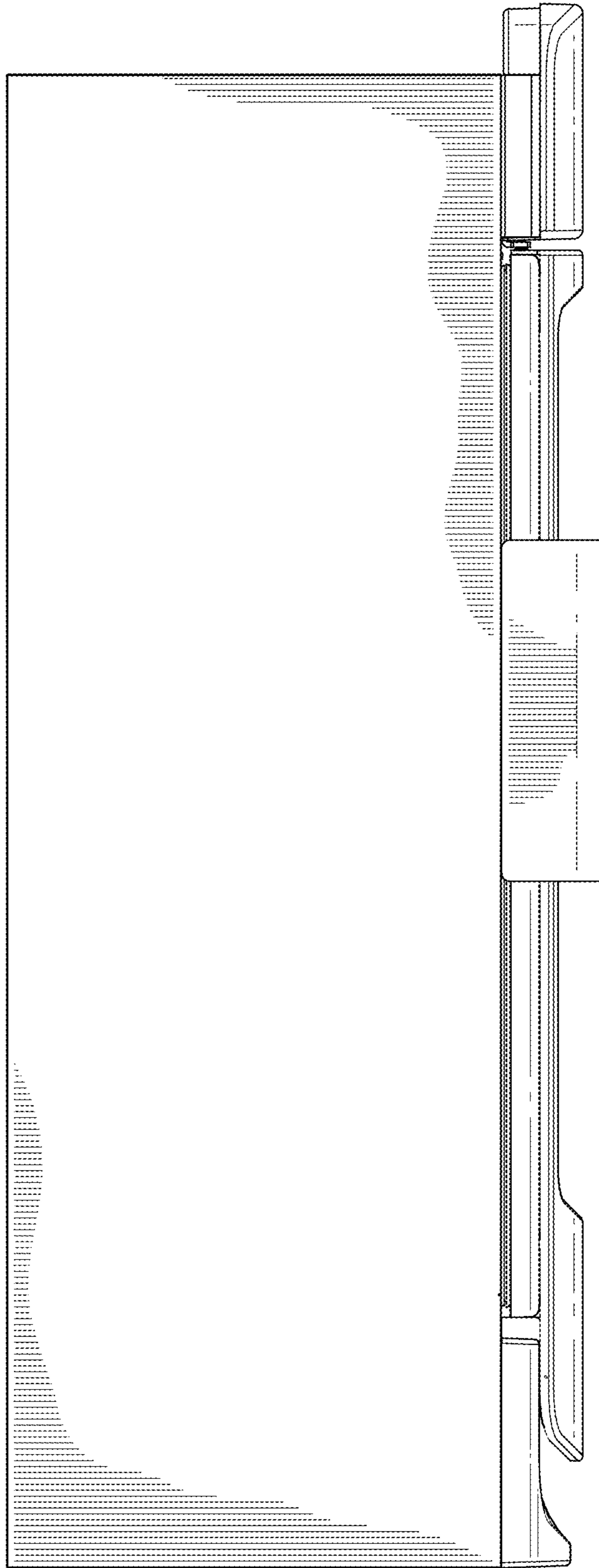


FIG. 4

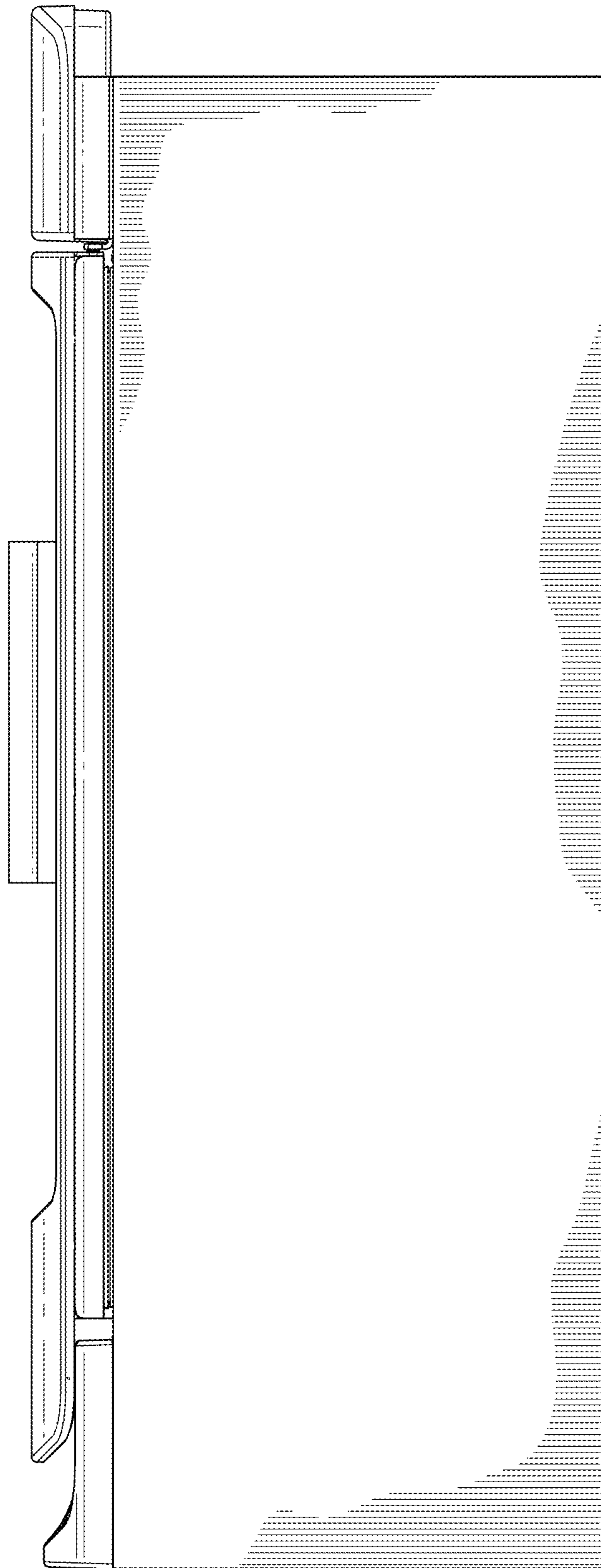


FIG. 5

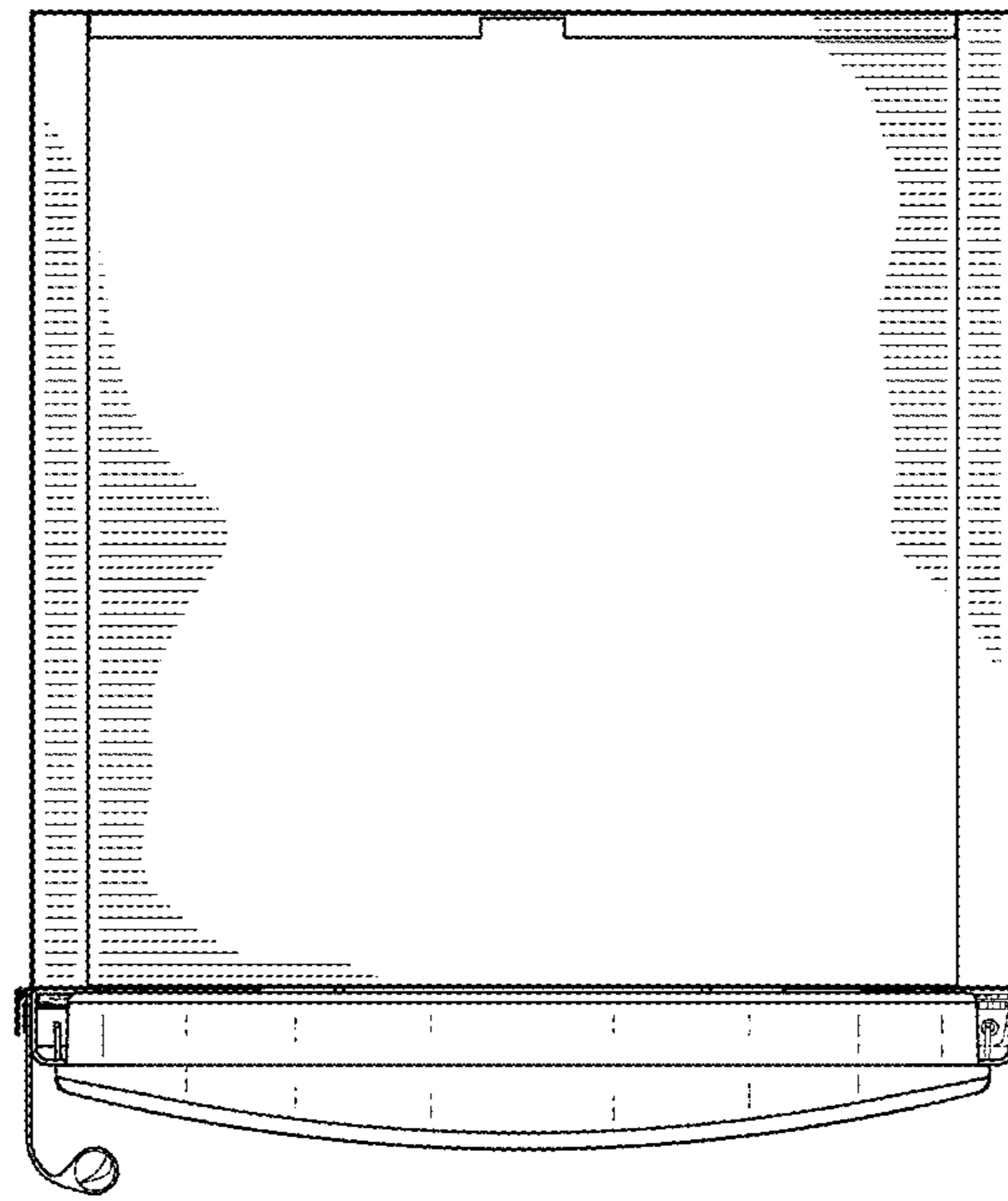


FIG. 6

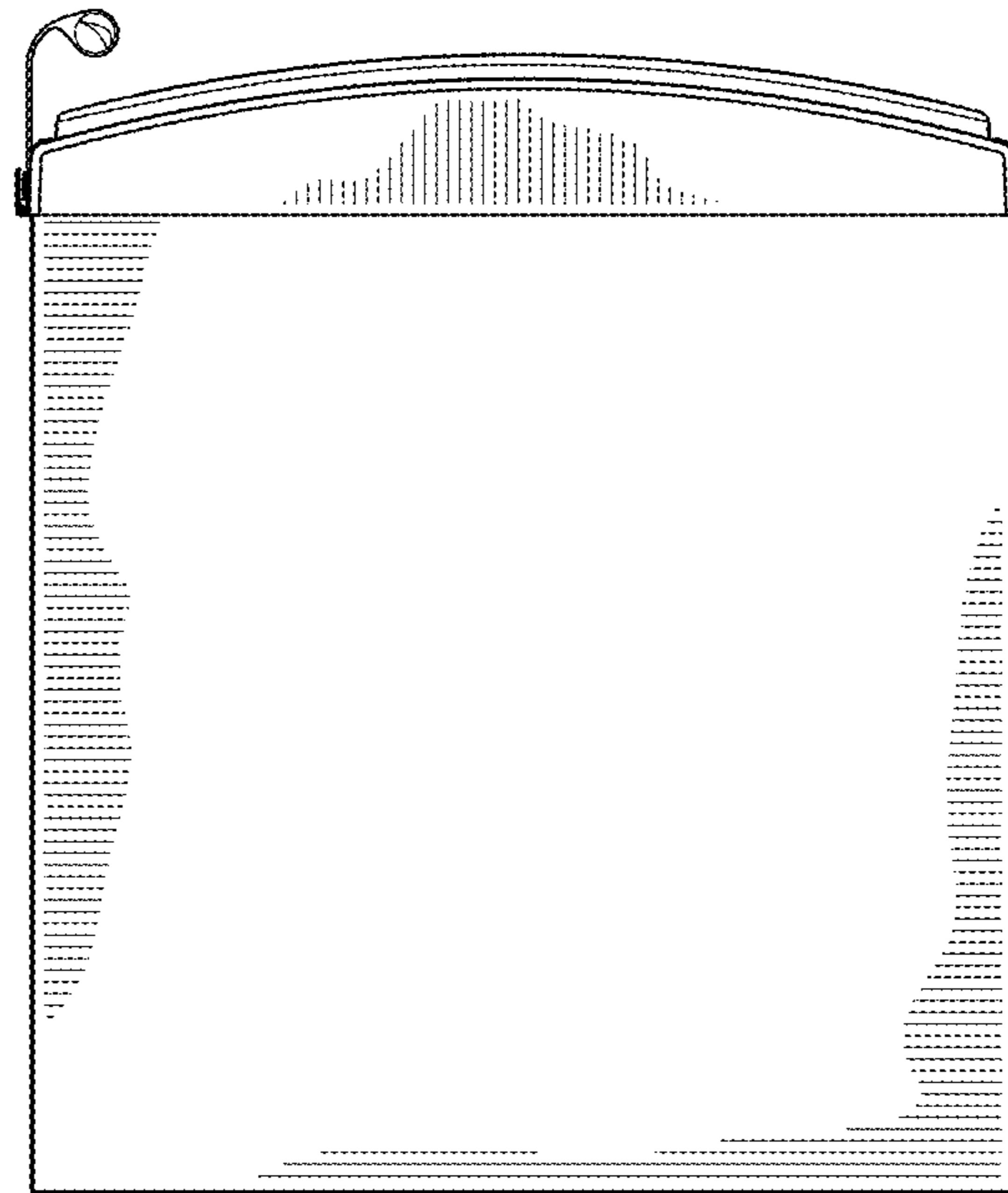


FIG. 7