



US00D920391S

(12) **United States Design Patent** (10) **Patent No.:** **US D920,391 S**
Rajopadhye et al. (45) **Date of Patent:** **** May 25, 2021**

- (54) **PANELS OF A HARVESTER**
- (71) Applicant: **Deere & Company**, Moline, IL (US)
- (72) Inventors: **Dhananjay Rajopadhye**, Pune (IN);
Paul M. Richardel, Polk City, IA (US);
Paul J. McCredie, Bettendorf, IA (US);
Shantanu Acharya, Pune (IN); **Vivek Vedpathak**, Pune (IN); **Omkar Thurumalla**, Mississauga (CA); **Felix Nagelin**, Malibu, CA (US); **Tobias Adami**, Munich (DE)
- (73) Assignee: **DEERE & COMPANY**, Moline, IL (US)
- (**) Term: **15 Years**
- (21) Appl. No.: **29/724,107**
- (22) Filed: **Feb. 12, 2020**

Related U.S. Application Data

- (63) Continuation of application No. 29/712,598, filed on Nov. 8, 2019.

(30) **Foreign Application Priority Data**

May 9, 2019 (EM) 006437083

(51) **LOC (13) Cl.** **15-03**

(52) **U.S. Cl.**
USPC **D15/33**

(58) **Field of Classification Search**
USPC D15/10-12, 22-26, 28; 56/14.5-14.7, 56/16.6, 122-125
CPC A01B 73/00; A01D 75/00; A01D 41/06; A01D 41/1208; A01D 41/00; A01D 67/00; A01D 45/00; A01D 45/02; A01D 45/021; A01D 43/081

See application file for complete search history.

(56) **References Cited**

U.S. PATENT DOCUMENTS

4,502,270 A	3/1985	Shupert	
D373,591 S *	9/1996	Von Allworden	D15/26
D639,826 S *	6/2011	Barrelmeyer	D15/26
D643,052 S *	8/2011	Hagele	D15/33
D648,357 S *	11/2011	Hagele	D15/33
D717,345 S *	11/2014	Budde	D15/26
D736,271 S *	8/2015	Jacobsthal	D15/33

(Continued)

FOREIGN PATENT DOCUMENTS

CN	302092321 S	9/2012
CN	302220180 S	12/2012

OTHER PUBLICATIONS

Deere & Company, Grain Harvesting Combines and Front End Equipment, Brochure, Oct. 2018.

(Continued)

Primary Examiner — Mark A Goodwin

(74) *Attorney, Agent, or Firm* — Klintworth & Rozenblat IP LLP

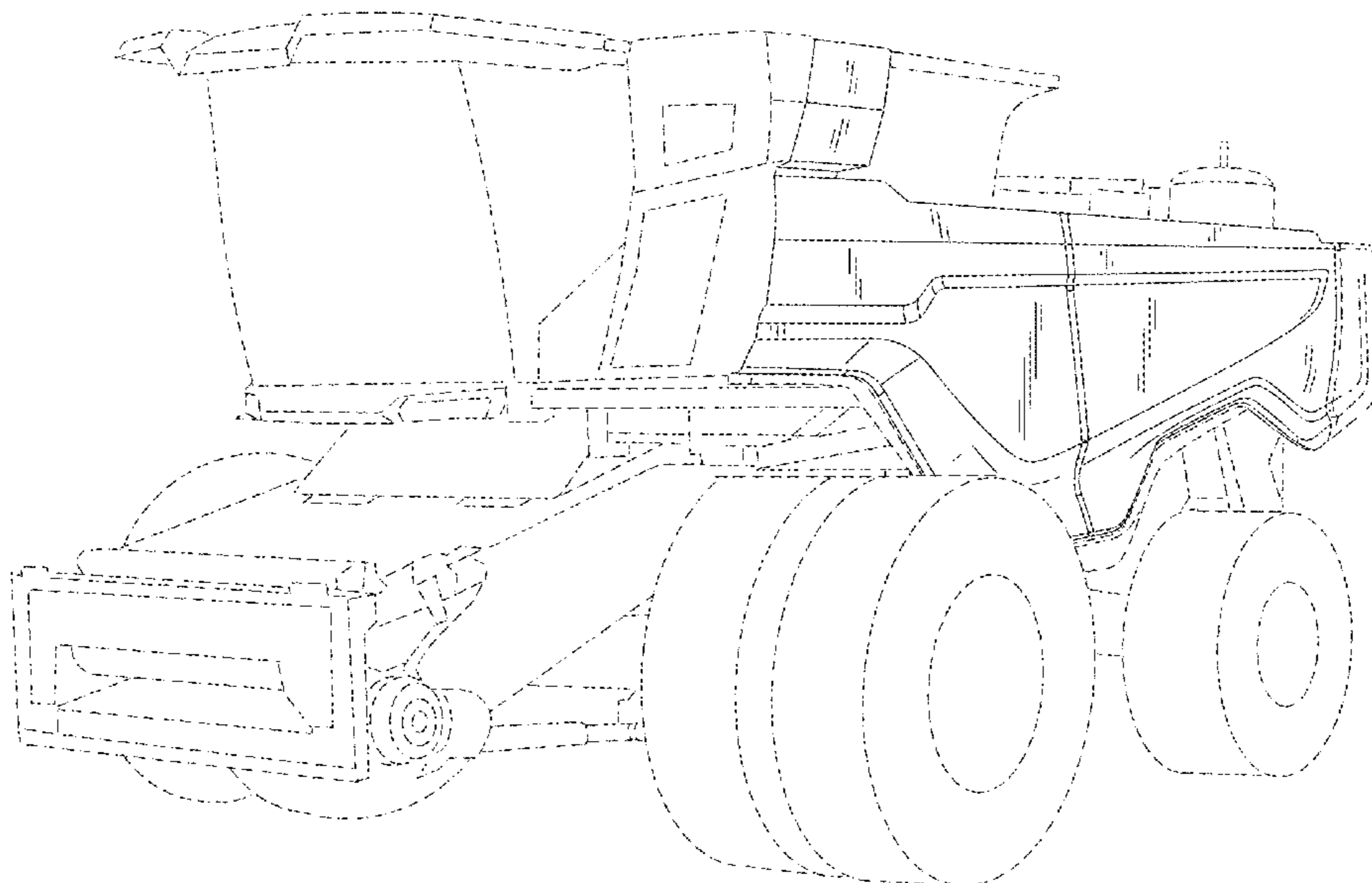
(57) **CLAIM**

The ornamental design for panels of a harvester, as shown and described.

DESCRIPTION

FIG. 1 is a perspective view of panels of a harvester according to our new design;
FIG. 2 is a first end elevational view thereof;
FIG. 3 is a second end elevational view thereof;
FIG. 4 is a first side elevational view thereof;
FIG. 5 is a second side elevational view thereof;
FIG. 6 is a first plan view thereof; and,
FIG. 7 is a second plan view thereof.
The dashed lines depict environment subject matter that forms no part of the claimed design.

1 Claim, 7 Drawing Sheets



(56)

References Cited

U.S. PATENT DOCUMENTS

D743,450 S * 11/2015 Claeys D15/33
D746,342 S * 12/2015 Jacobsthal D15/33
D794,086 S * 8/2017 Thompson D15/26
D826,994 S * 8/2018 De Smet D15/26
D879,843 S * 3/2020 Gonzales D15/33
D880,539 S * 4/2020 Depoorter D15/33
2017/0086374 A1 3/2017 Engel

OTHER PUBLICATIONS

Claas of America, Improves Profitability with Increasing Revenue, Google Search, <https://www.serbia.claas.com/news-testimonials/current/claas-news/claas-improves-profitability-with-increasing-revenue-/1904264>, 2019.

Claas of America, photograph of header, 2017.

New Holland, Overview—Corn Heads Leading From The Front, Combines & Headers, <https://agriculture.newholland.com/nar/en-us/equipment/products/combines-and-headers/corn-heads>, 2019.

Macdon Industries LTD, D65 Draper Header, Draper Headers for Combine, <https://www.macdon.com/en/products/d65-draper-headers-for-combine/>, 2019.

New Holland, Draper Heads—Overview Combines & Headers New Holland (US) NHAG, <https://agriculture.newholland.com/nar/en-us/equipment/products/combines-and-headers/draper-heads>, 2019.

Case IH, Draper Heads Combine Harvester, Case IH 3100 Series II Draper Heads, <https://www.caseih.com/northamerica/en-us/products/harvesting/draper-heads>, Copyright 2020.

Massey Ferguson, 9250 DynaFlex Draper Header, <http://www.masseyferguson.us/products/combine-harvesting/9250-dynaflex-draper-headers.html#0>, Copyright 2020.

* cited by examiner

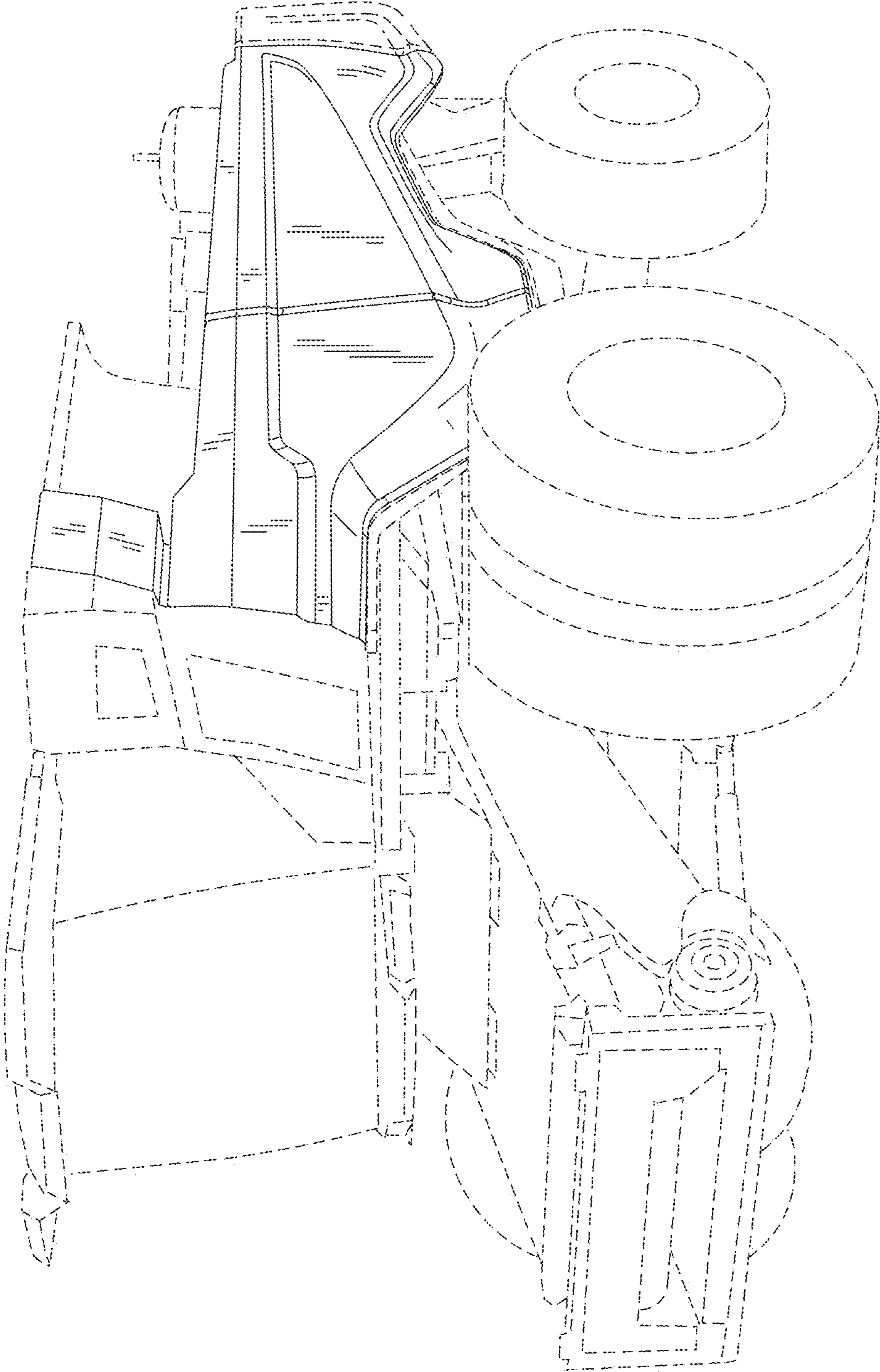


FIG. 1

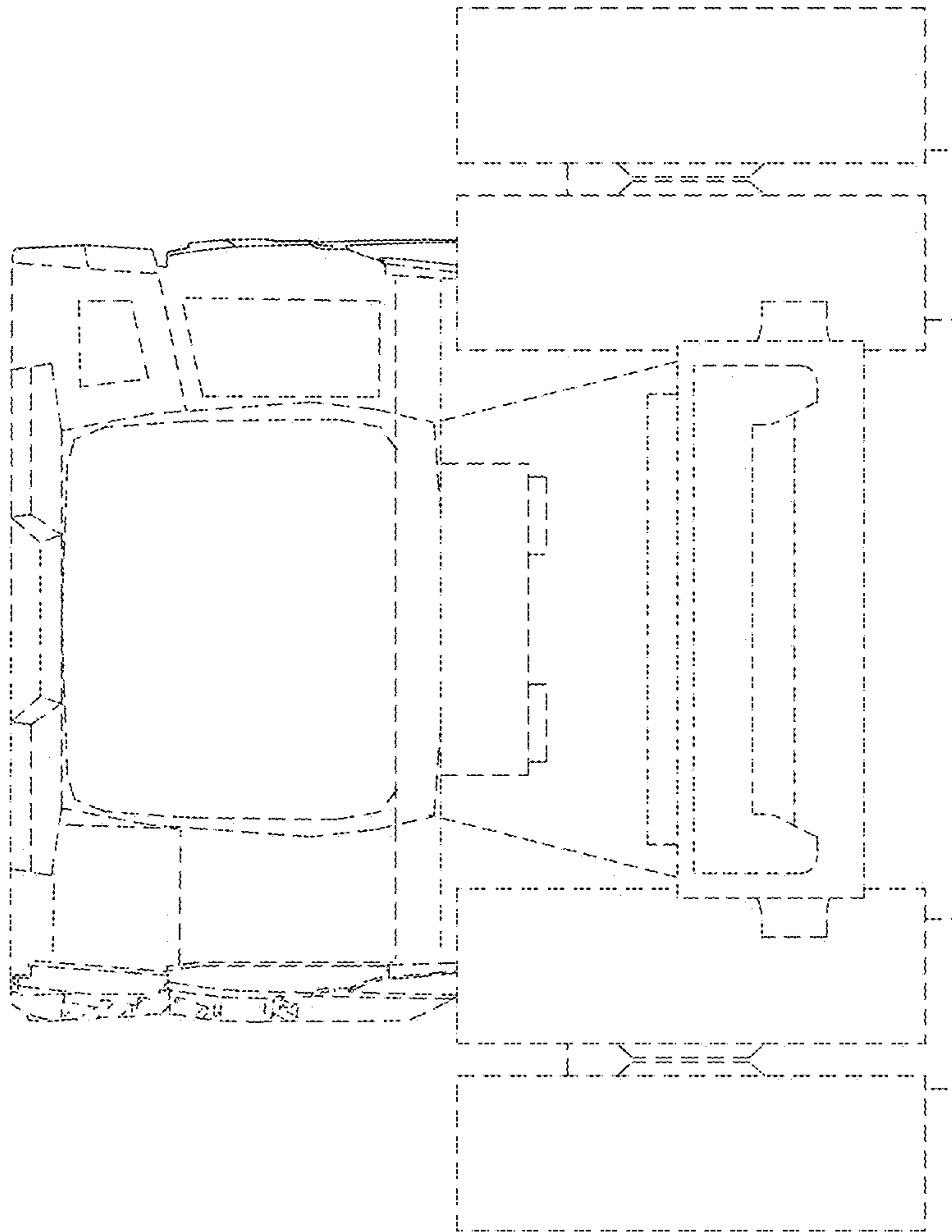


FIG. 2

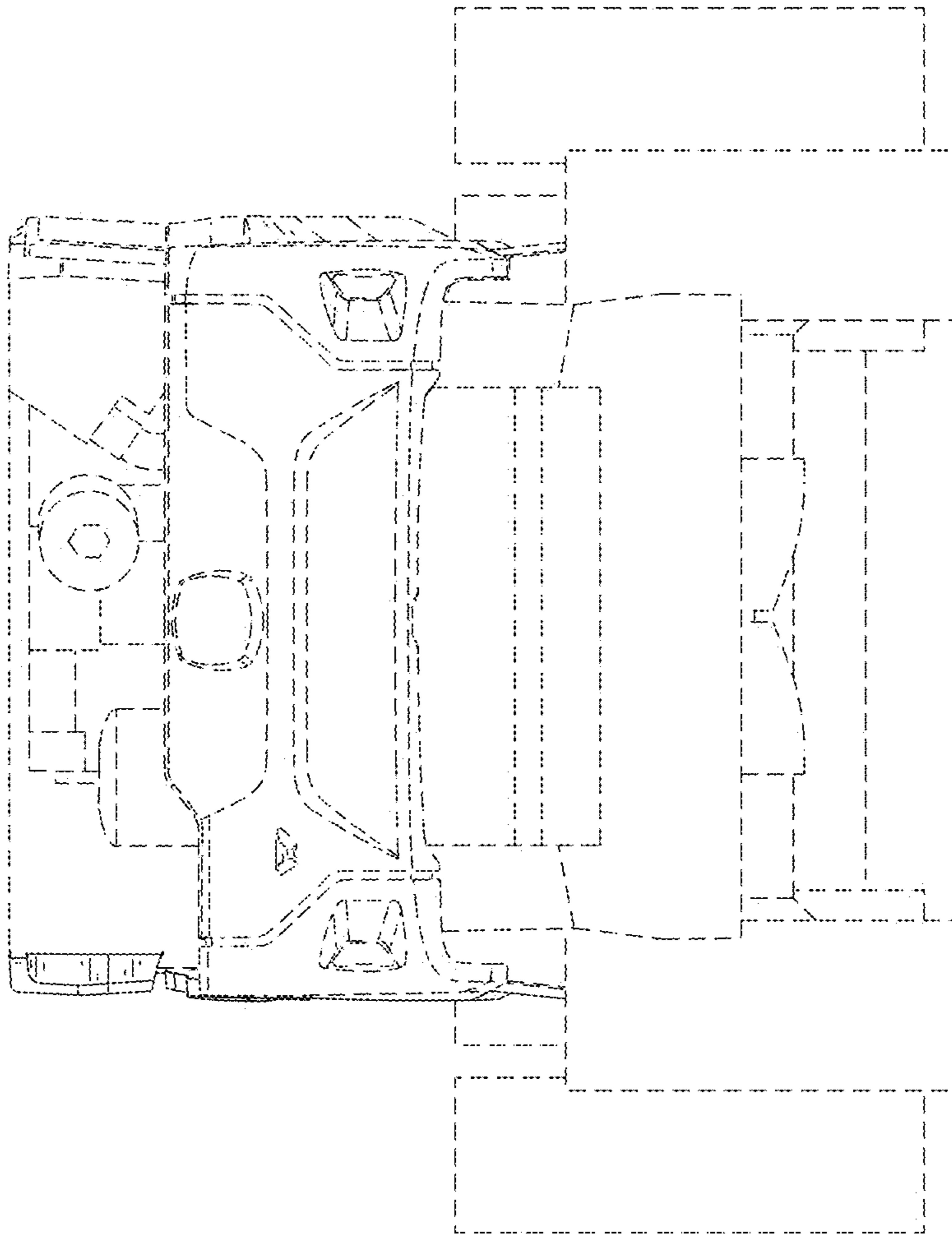


FIG. 3

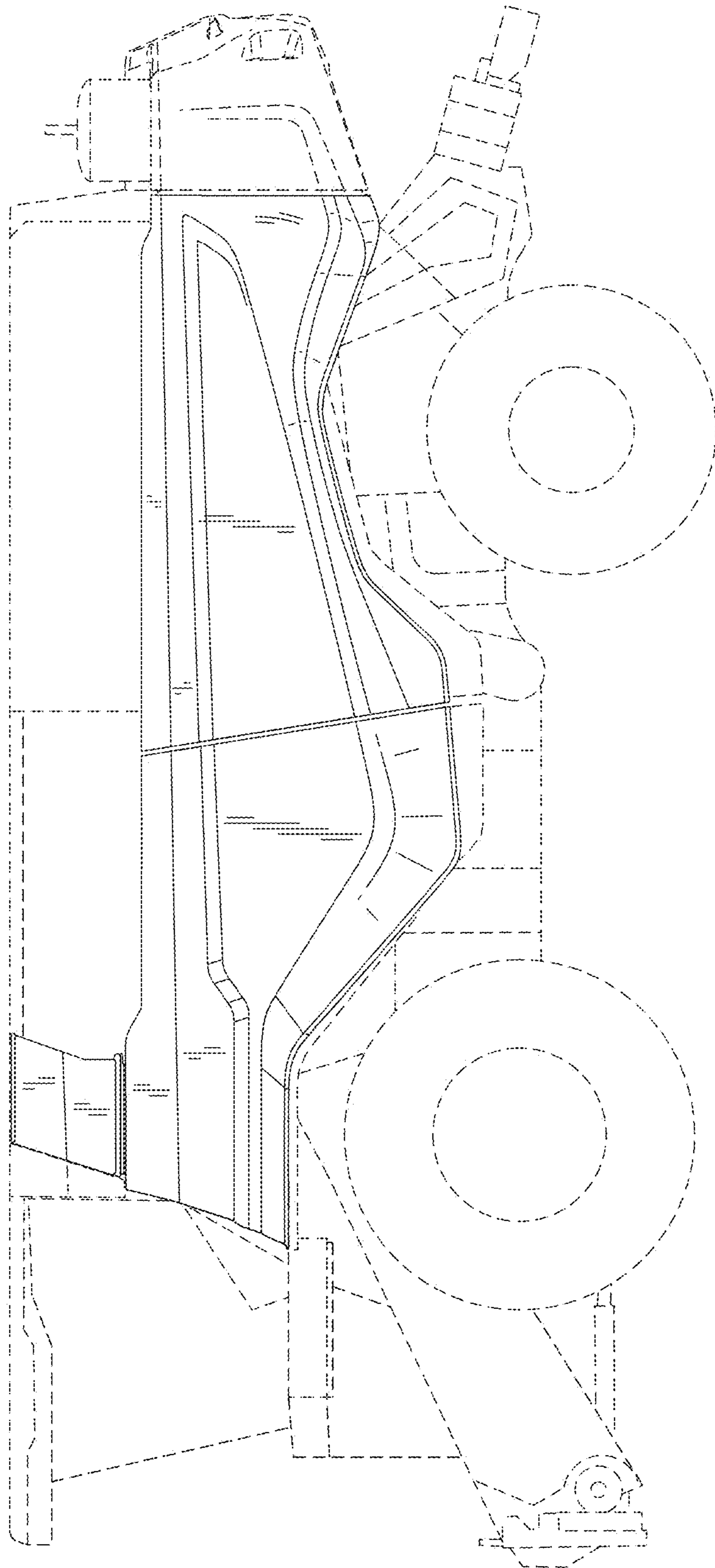


FIG. 4

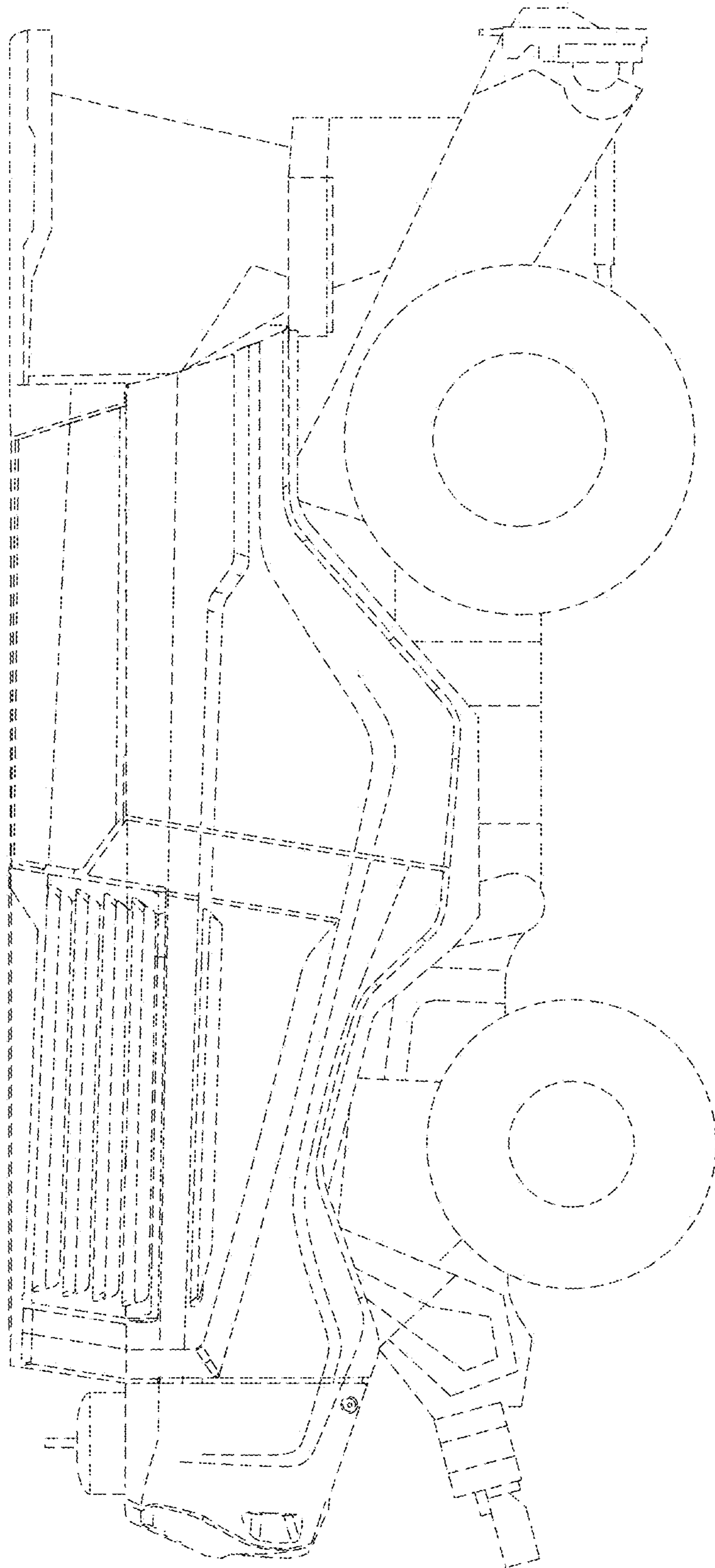


FIG. 5

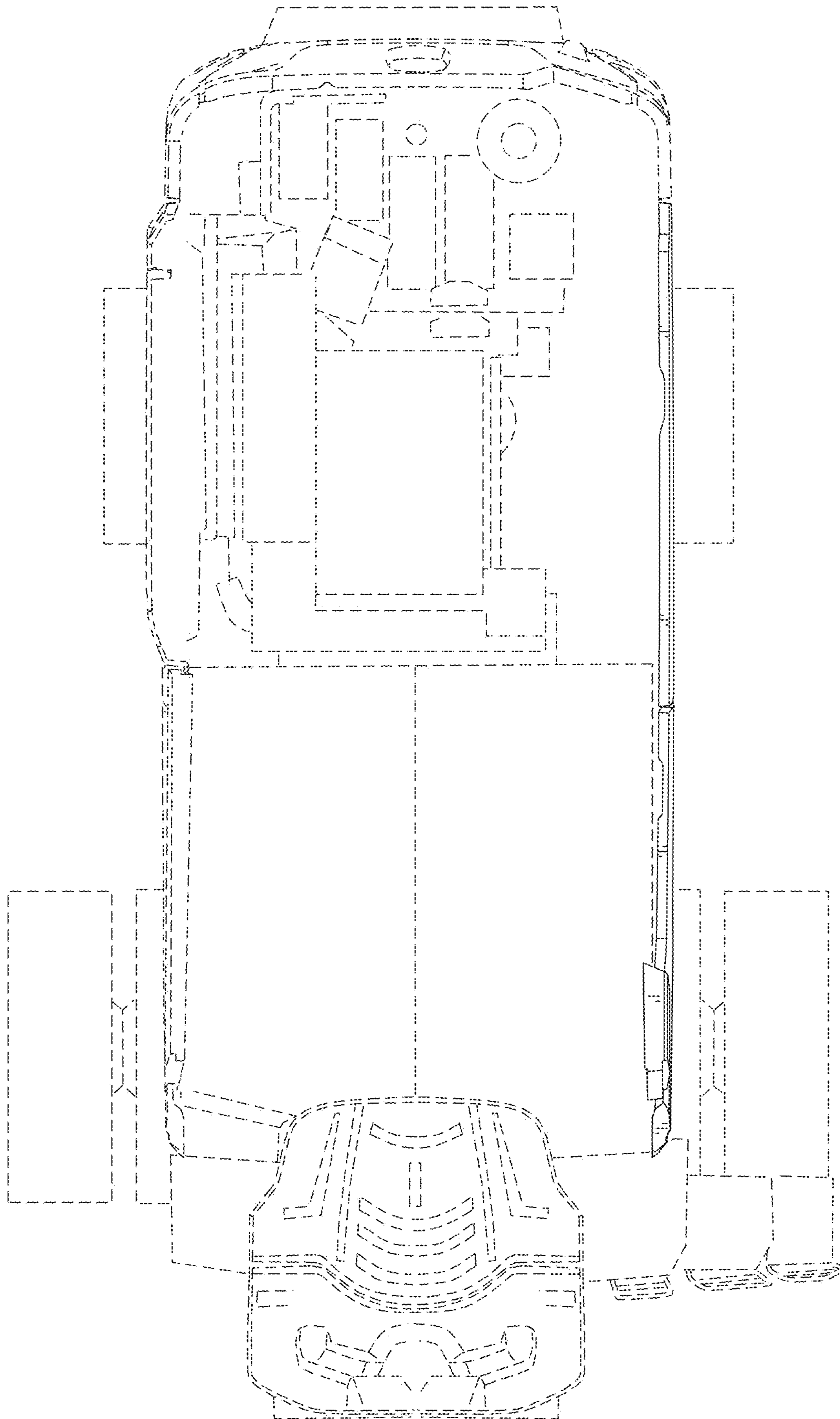


FIG. 6

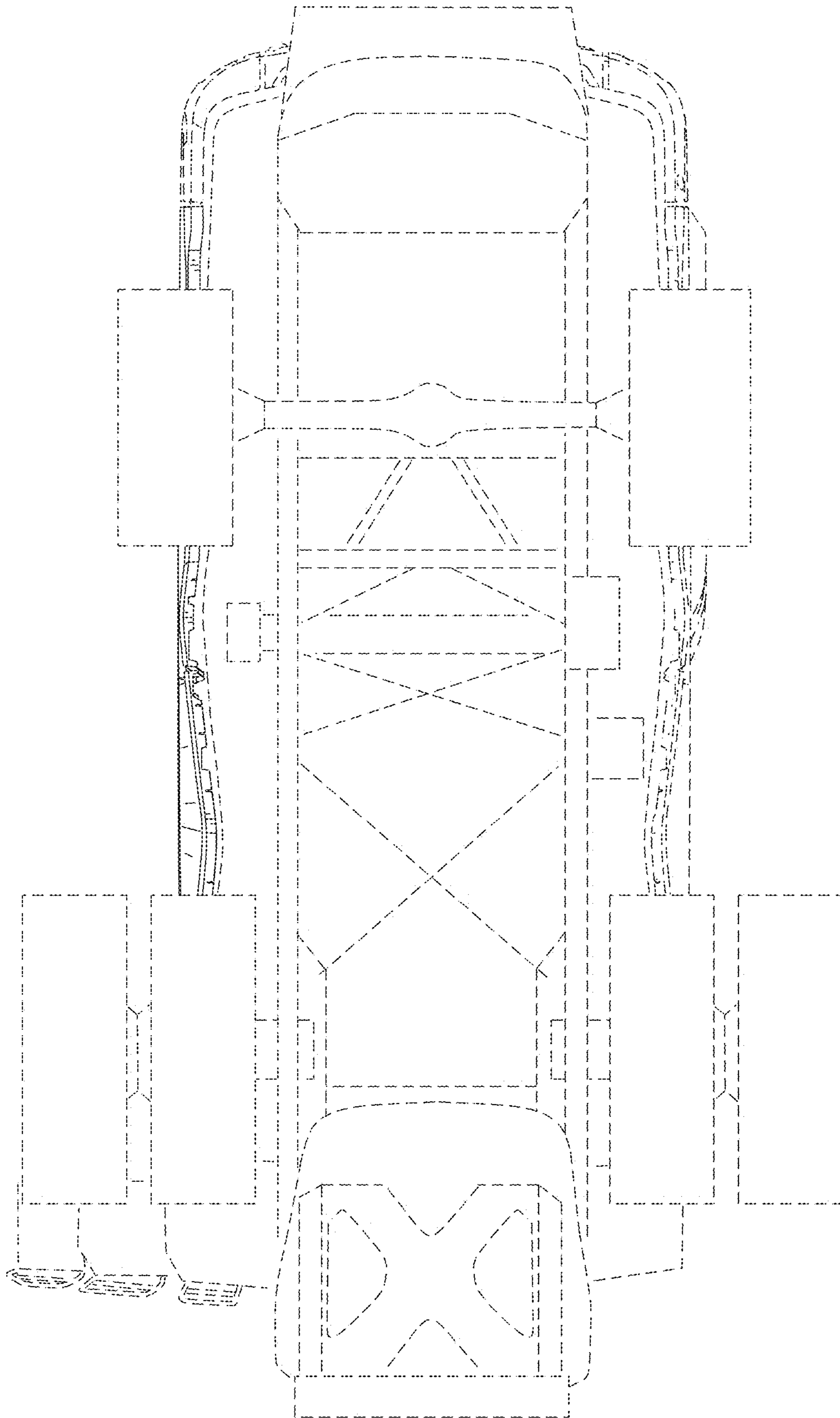


FIG. 7