



US00D920390S

(12) **United States Design Patent** (10) **Patent No.:** **US D920,390 S**
Johnson et al. (45) **Date of Patent:** **** May 25, 2021**

(54) **GRAPPLE**

(71) Applicant: **Builtrite, LLC**, Two Harbors, MN (US)

(72) Inventors: **Karl Eric Johnson**, Duluth, MN (US);
Jeffrey Scott Abelsen, Two Harbors,
MN (US)

(73) Assignee: **BUILTRITE LLC**, Two Harbors, MN
(US)

(**) Term: **15 Years**

(21) Appl. No.: **29/731,036**

(22) Filed: **Apr. 10, 2020**

(51) **LOC (13) Cl.** **15-03**

(52) **U.S. Cl.**
USPC **D15/32; D34/35**

(58) **Field of Classification Search**
USPC D15/28, 32; D34/28, 33, 34, 35
CPC .. B66C 3/14; B66C 3/005; B66C 3/16; B66C
3/04
See application file for complete search history.

(56) **References Cited**

U.S. PATENT DOCUMENTS

D189,049 S *	10/1960	McElderry	D34/35
4,005,894 A *	2/1977	Tucek	B66C 3/16
				294/198
4,023,848 A *	5/1977	Bennett	B66C 3/16
				294/198
D306,599 S *	3/1990	Hunter	D15/32
5,330,242 A *	7/1994	Lucky, Sr.	B66C 3/04
				294/106
D354,605 S *	1/1995	Lucky, Sr.	D34/35
D408,609 S *	4/1999	Oja	D34/35
6,168,219 B1 *	1/2001	Futa	B66C 1/06
				294/106

(Continued)

OTHER PUBLICATIONS

Webpage, <https://builtrite.com/product/4-tine-orange-peel-grapple/>; "Builtrite.com Product 4-line-organge-peel-grapple," retrieved from the internet May 8, 2020, believed to have been available more than one year prior to the filing date of the instant application, 6 pgs.

(Continued)

Primary Examiner — Mark A Goodwin

Assistant Examiner — Benjamin M Weeks

(74) *Attorney, Agent, or Firm* — Fredrikson & Byron,
P.A.

(57) **CLAIM**

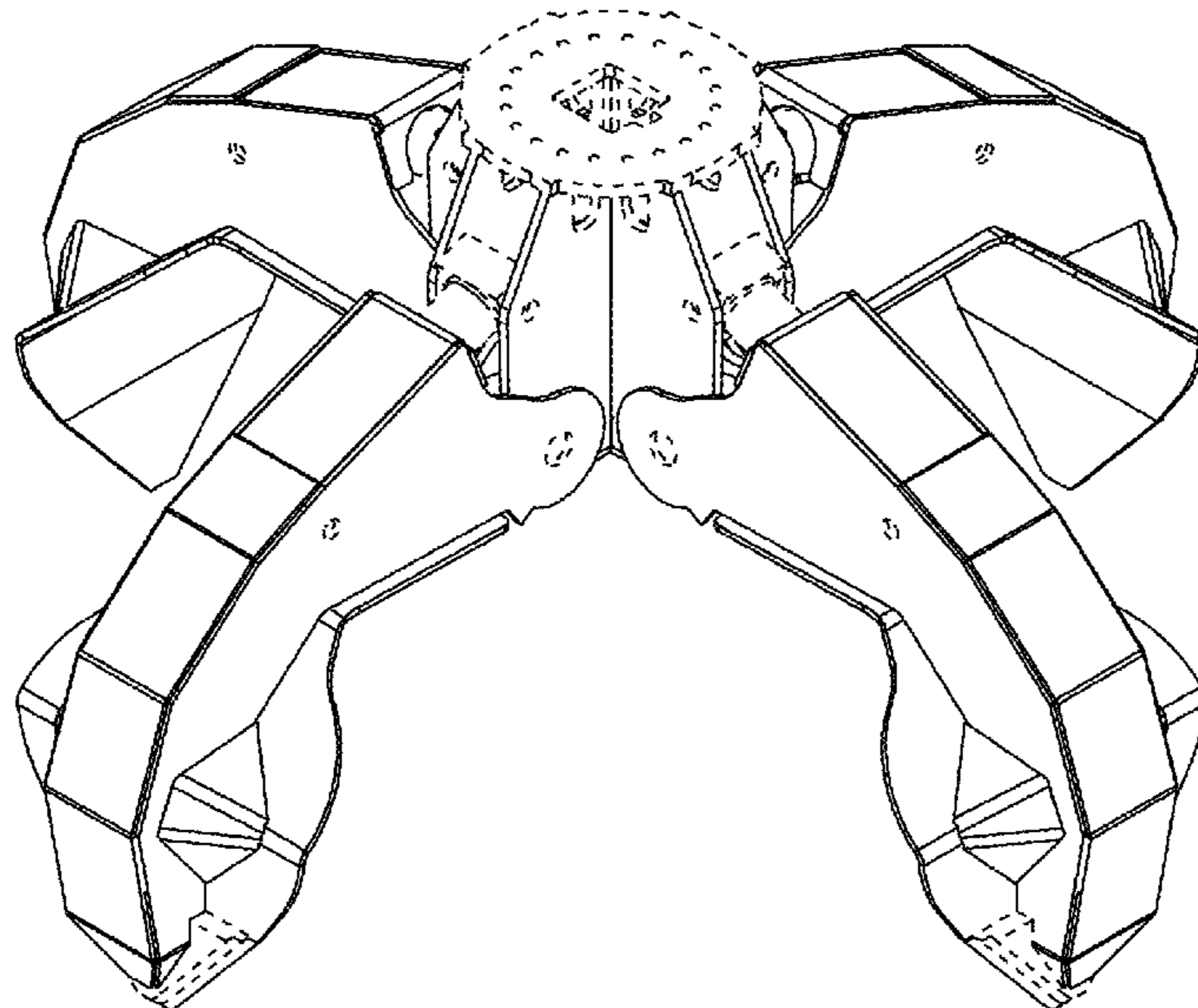
We claim the ornamental design for a grapple, as shown and described.

DESCRIPTION

FIG. 1 is a top perspective view of our new design for a grapple;
FIG. 2 is a bottom perspective view thereof;
FIG. 3 is a top view thereof;
FIG. 4 is a bottom view thereof;
FIG. 5 is a front view thereof;
FIG. 6 is a rear view thereof;
FIG. 7 is a right side view thereof;
FIG. 8 is a left side view thereof;
FIG. 9 is a top perspective view of another embodiment of our new design for a grapple;
FIG. 10 is a bottom perspective view thereof;
FIG. 11 is a top view thereof;
FIG. 12 is a bottom view thereof;
FIG. 13 is a front view thereof;
FIG. 14 is a rear view thereof;
FIG. 15 is a right side view thereof; and,
FIG. 16 is a left side view thereof.

The broken line showing of a grapple is included for the purpose of illustrating unclaimed portions and forms no part of the claimed design.

1 Claim, 16 Drawing Sheets



(56)

References Cited

U.S. PATENT DOCUMENTS

D779,565 S * 2/2017 Jensen D15/28

OTHER PUBLICATIONS

Webpage, <http://builtrite.com/wp-content/uploads/2017/05/4-tine-Orange-Peel-Grapple-Specs-4TSG-SERIES-6-7-2016-1.pdf>, retrieved from the internet Jul. 29, 2020, believed to have been available more than one year prior to the filing date of the instant application, 2 pgs.
 Webpage, <https://www.hso.dk/en/content/gusella-polygrab-6-tines-apx-300-ltr>, retrieved from the internet Jul. 29, 2020, believed to have been available more than one year prior to the filing date of the instant application, 2 pgs.
 Webpage, <https://shopjobsite.com/products/dingo-root-grapple>, retrieved from the internet Jul. 29, 2020, believed to have been available more than one year prior to the filing date of the instant application, 4 pgs.
 Webpage, <https://builtrite.com/product/municipal-waste-grapple-flat-bottom/>, retrieved from the internet Jul. 29, 2020, believed to have been available more than one year prior to the filing date of the instant application, 5 pgs.
 Webpage, <https://www.sasforks.com/product/grapples/>, retrieved from the internet Jul. 29, 2020, believed to have been available more than one year prior to the filing date of the instant application, 2 pgs.
 Webpage, <https://www.sasforks.com/wp-content/uploads/2013/12/sasforks-grapple-attachments-brochure.pdf>, retrieved from the inter-

net Jul. 29, 2020, believed to have been available more than one year prior to the filing date of the instant application, 2 pgs.
 Webpage, <https://www.craigattachments.com/products/excavator-specialty/excavator-rotating-mat-grapple>, retrieved from the internet Jul. 29, 2020, believed to have been available more than one year prior to the filing date of the instant application, 1 pg.
 Webpage, https://www.cal.com/en_US/products/new/attachments/grapples/orange-peel-grapples/1767863055203540.html, retrieved from the internet Jul. 29, 2020, believed to have been available more than one year prior to the filing date of the instant application, 3 pgs.
 Webpage, <https://www.eiengineering.com.au/products/excavator-attachments/hydraulic-grapple/>, retrieved from the internet Jul. 29, 2020, believed to have been available more than one year prior to the filing date of the instant application, 2 pgs.
 Webpage, <https://rotobec.com/attachments/orange-peel-grapples/>, retrieved from the internet Jul. 29, 2020, believed to have been available more than one year prior to the filing date of the instant application, 9 pgs.
 Webpage, https://issuu.com/joshmcteer/docs/110009_orange-peel-grapple-brochure-_d6b2104bc0150e?e=18883546/64285337, retrieved from the internet Jul. 29, 2020, believed to have been available more than one year prior to the filing date of the instant application, 4 pgs.
 Webpage, <https://www.rsfeengineering.co.uk/products/forestry-and-waste-handling-grapples/>, retrieved from the internet Jul. 29, 2020, believed to have been available more than one year prior to the filing date of the instant application, 17 pgs.

* cited by examiner

FIG. 1

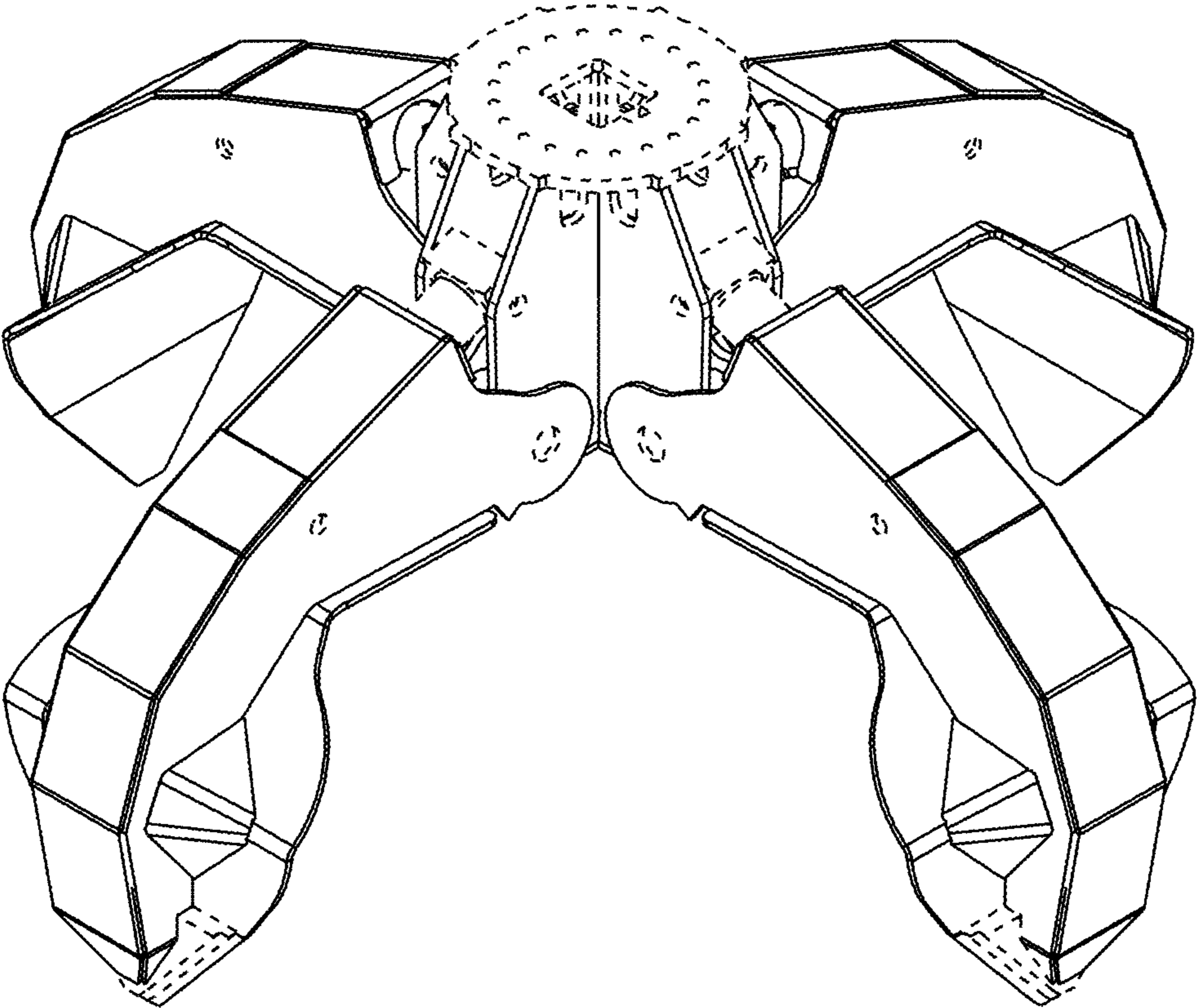


FIG. 2

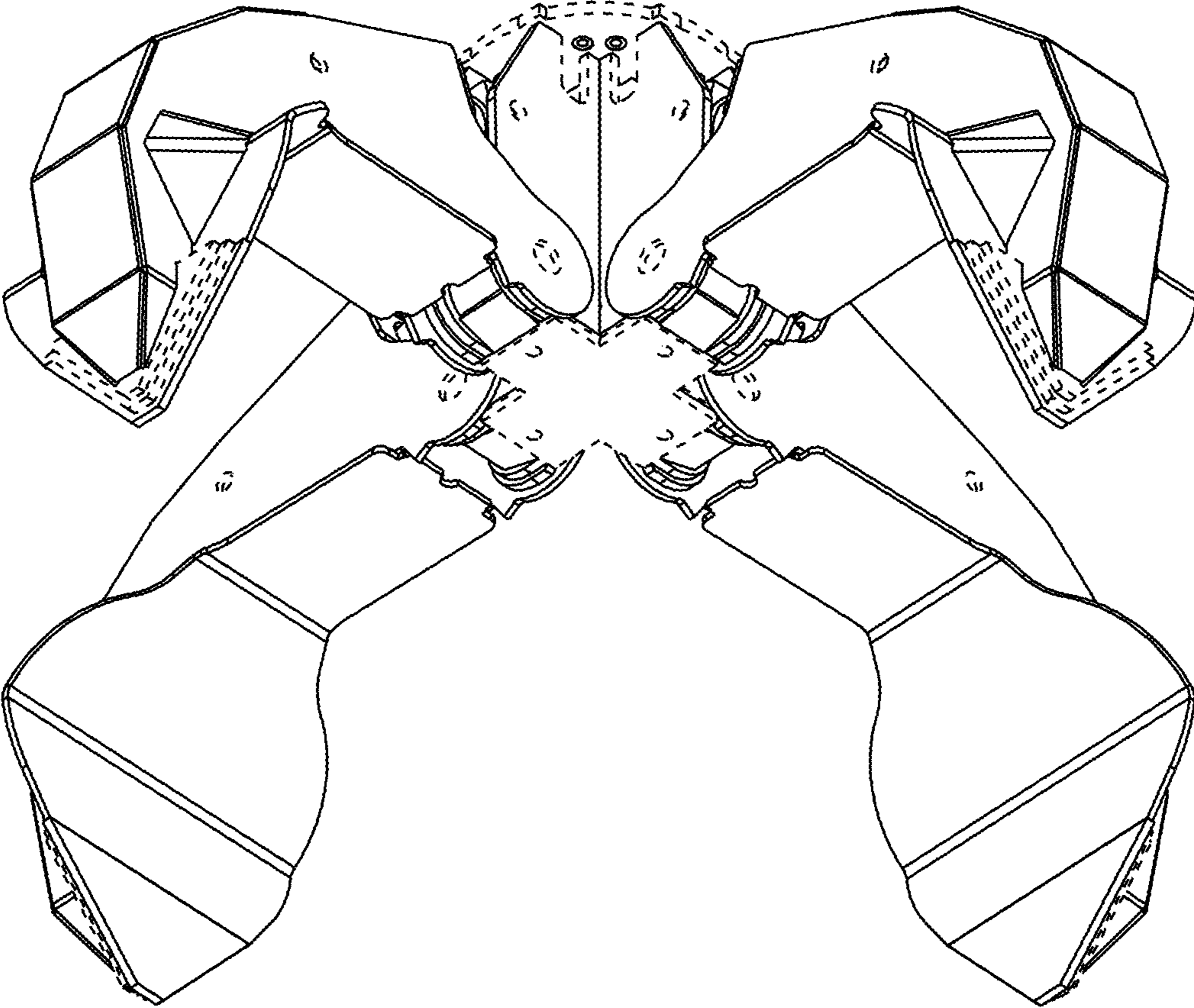


FIG. 3

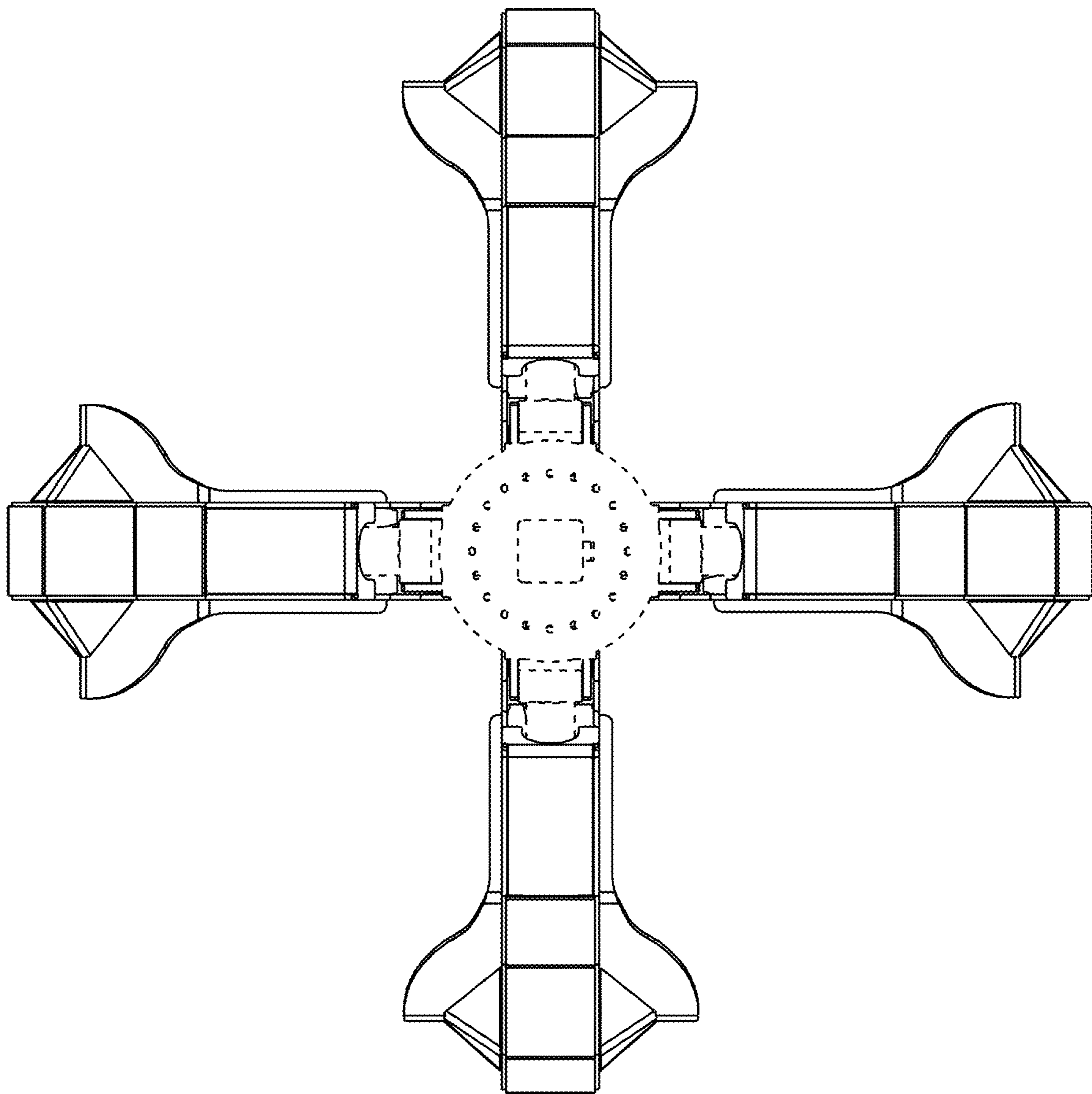


FIG. 4

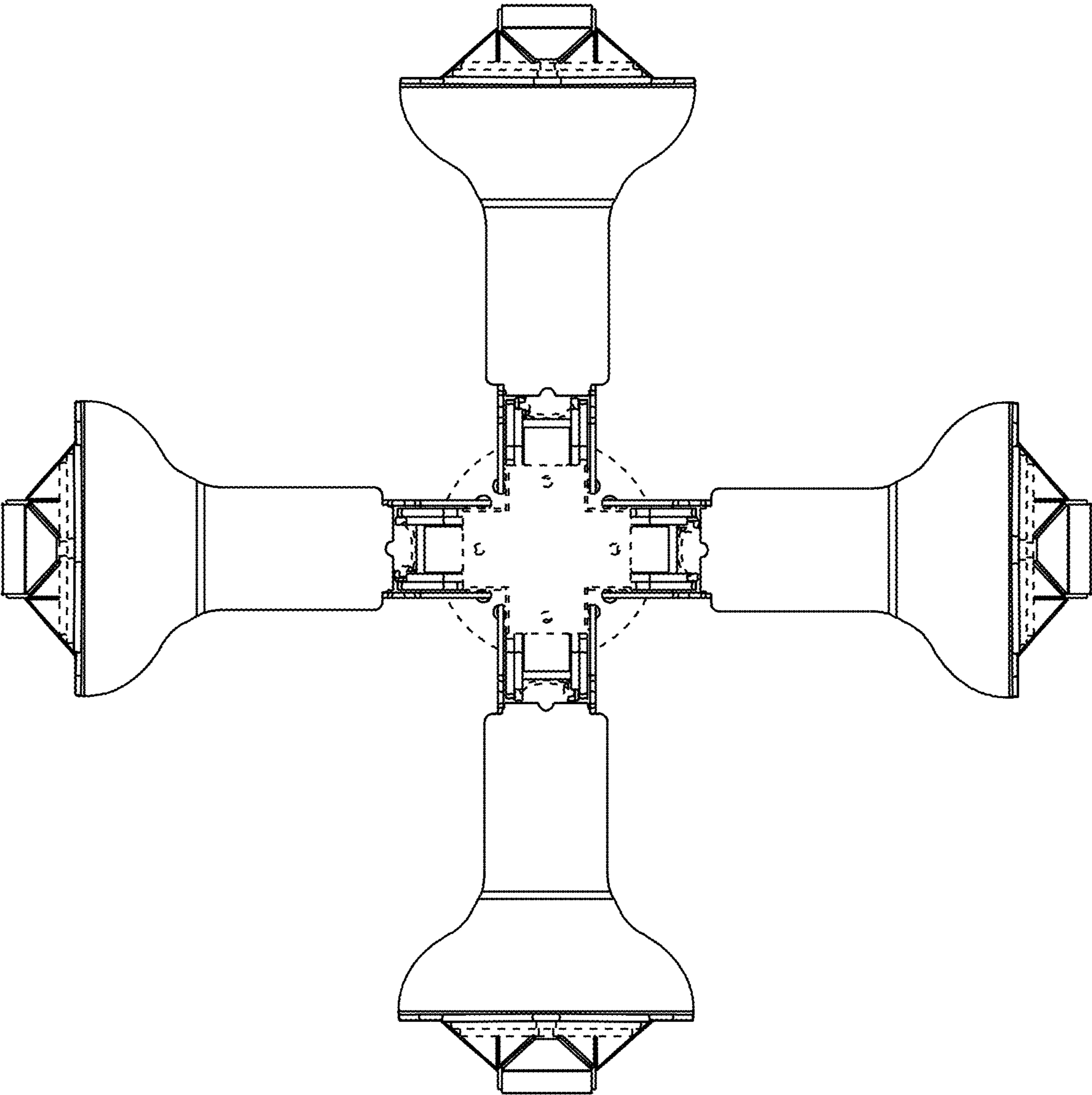


FIG. 5

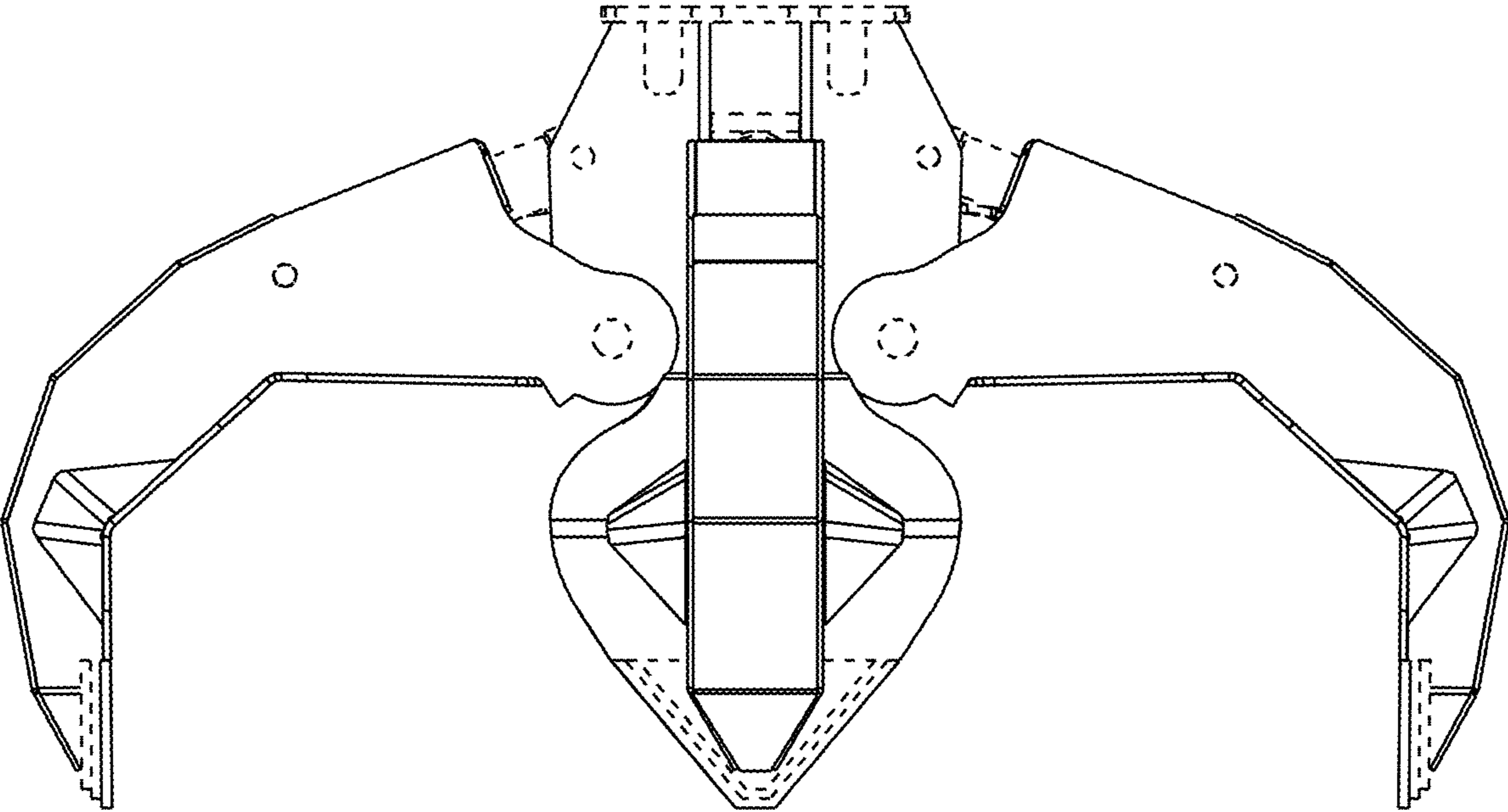


FIG. 6

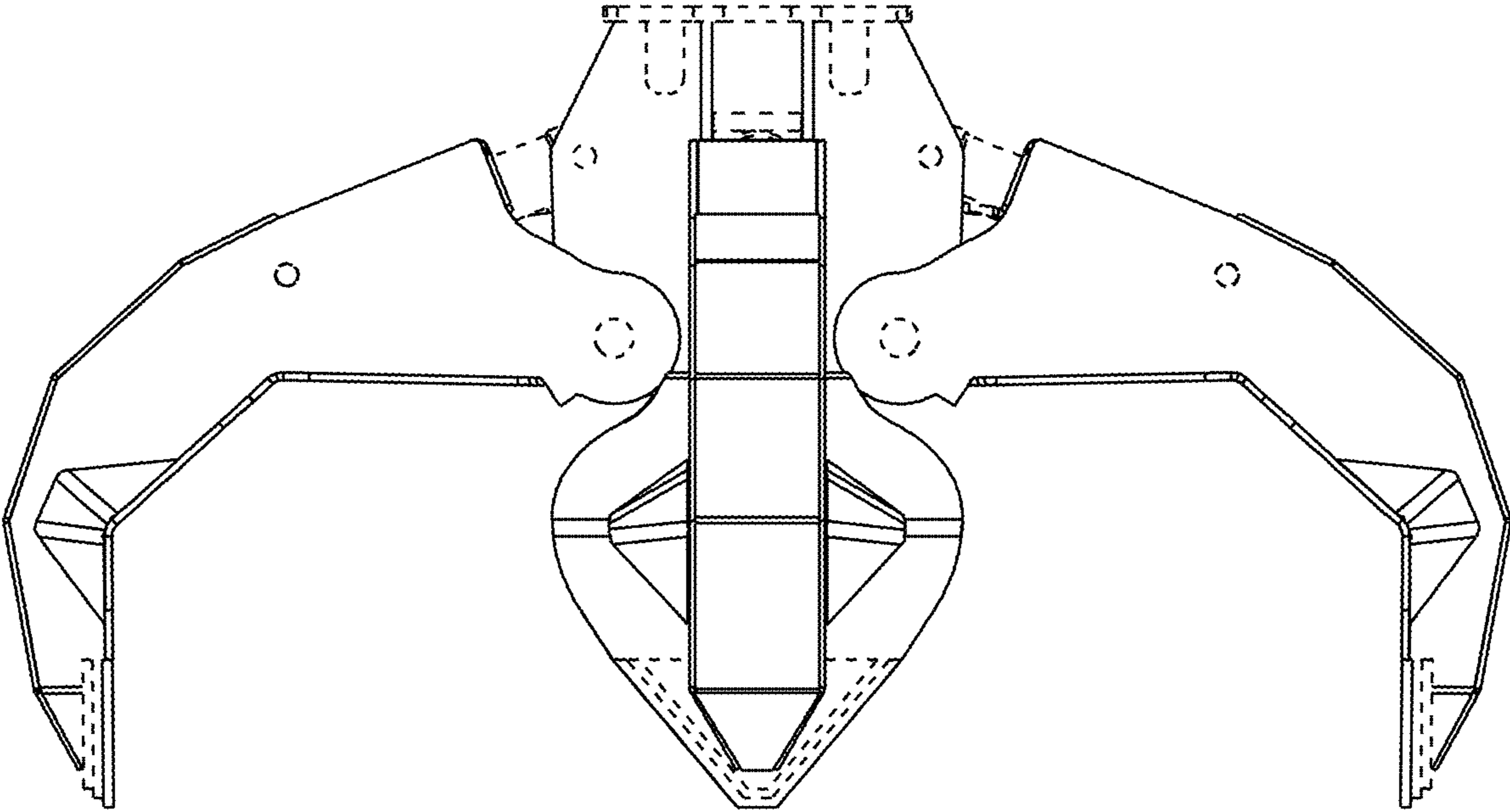


FIG. 7

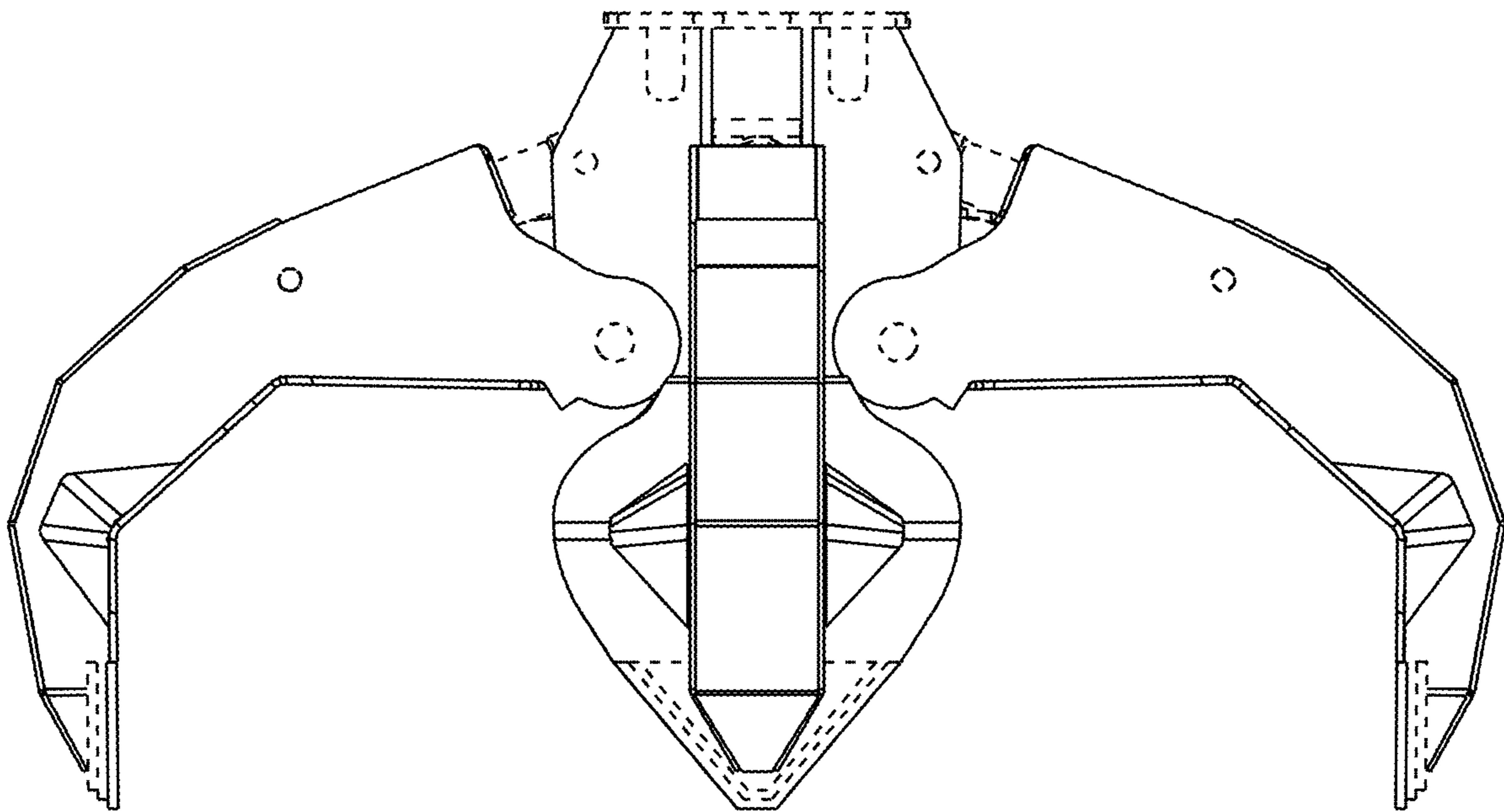


FIG. 8

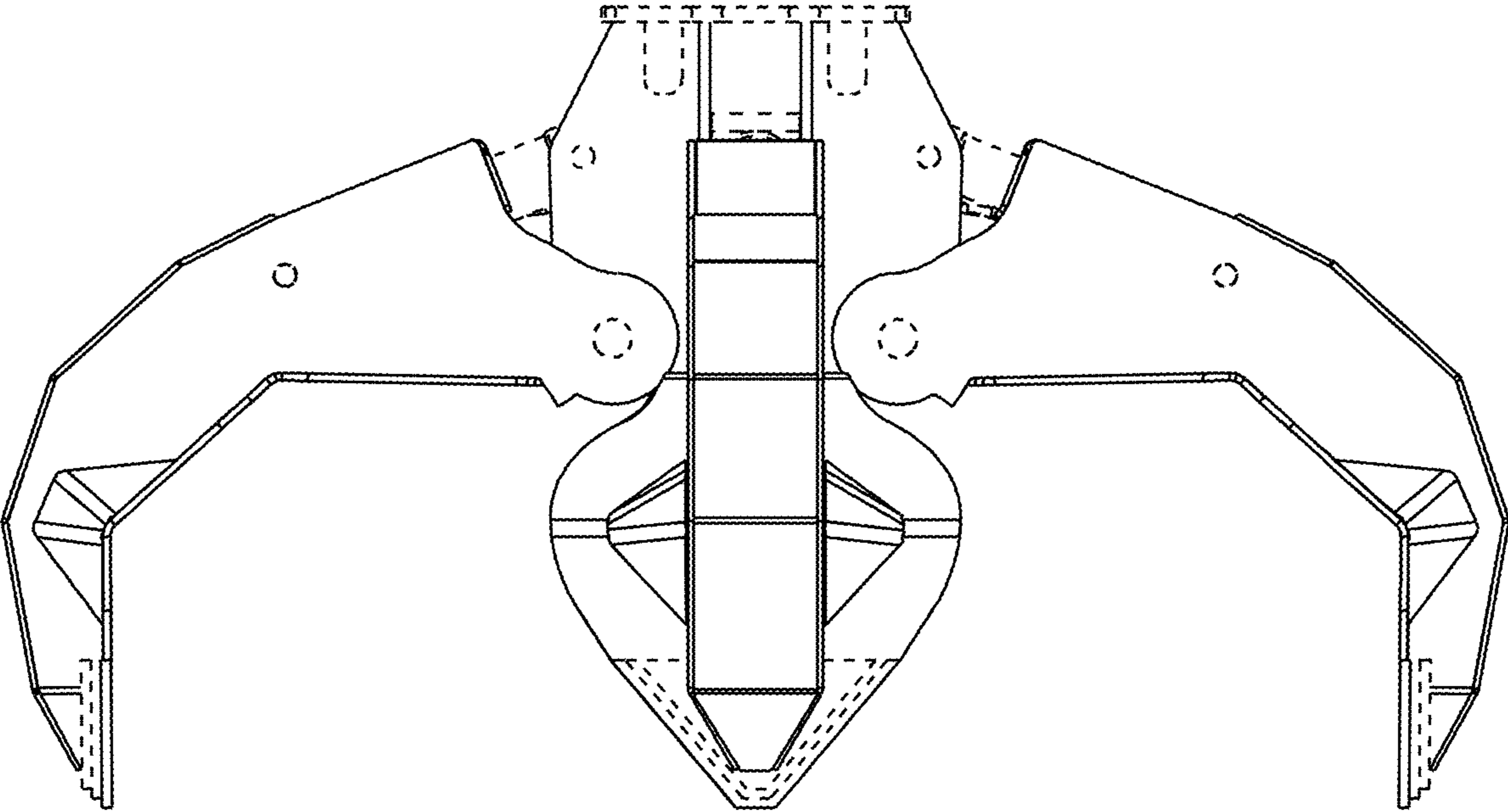


FIG. 9

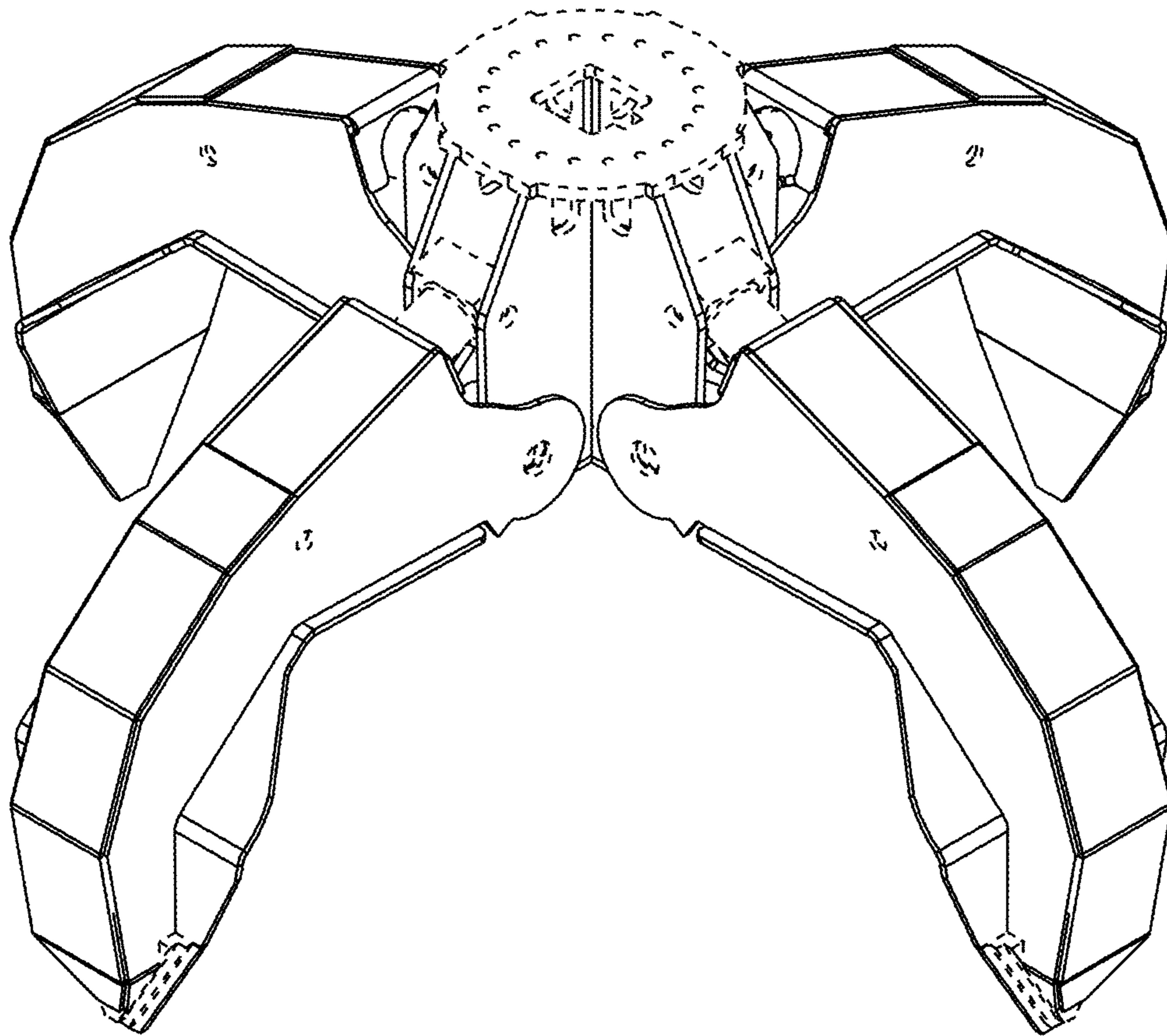


FIG. 10

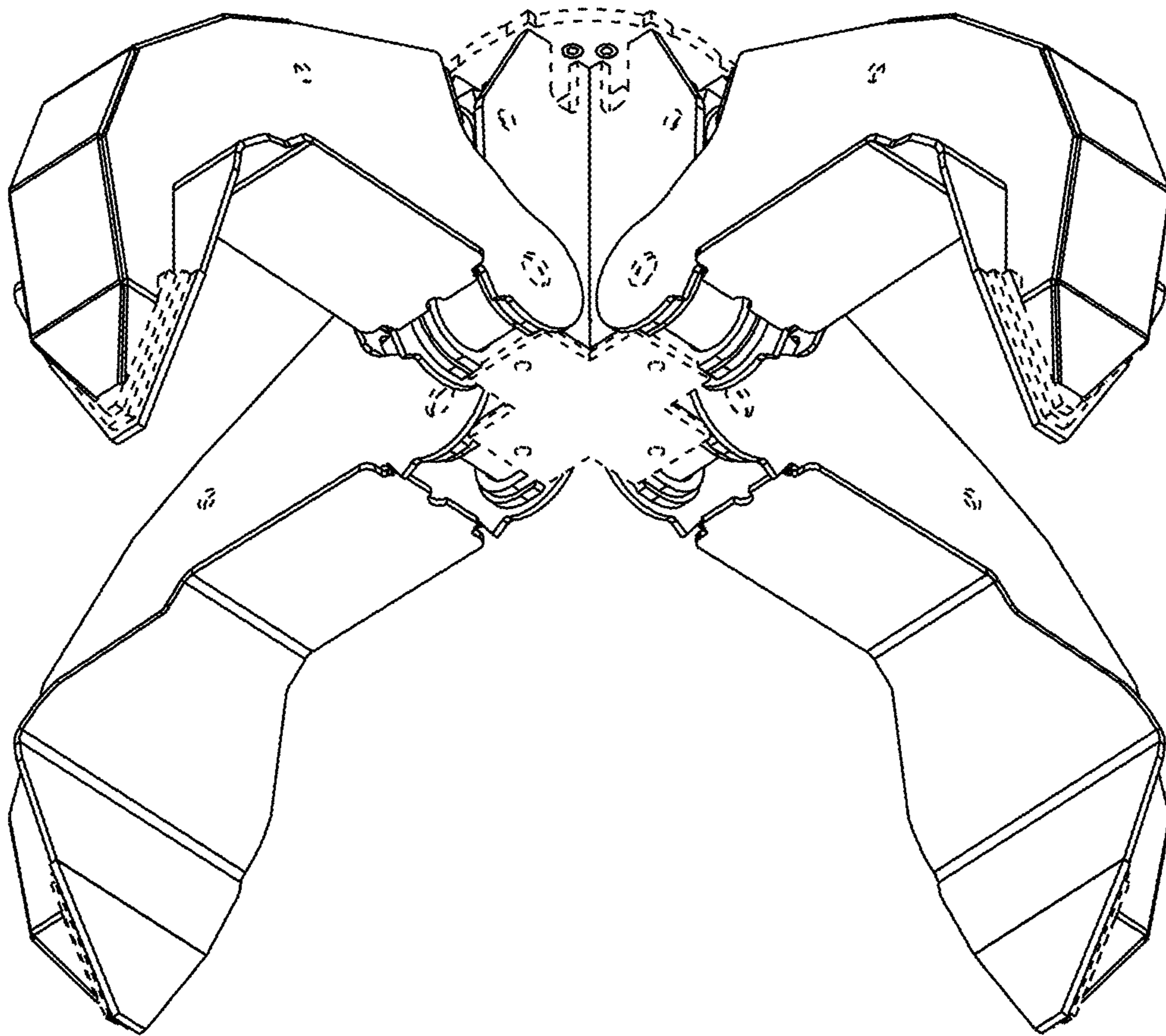


FIG. 11

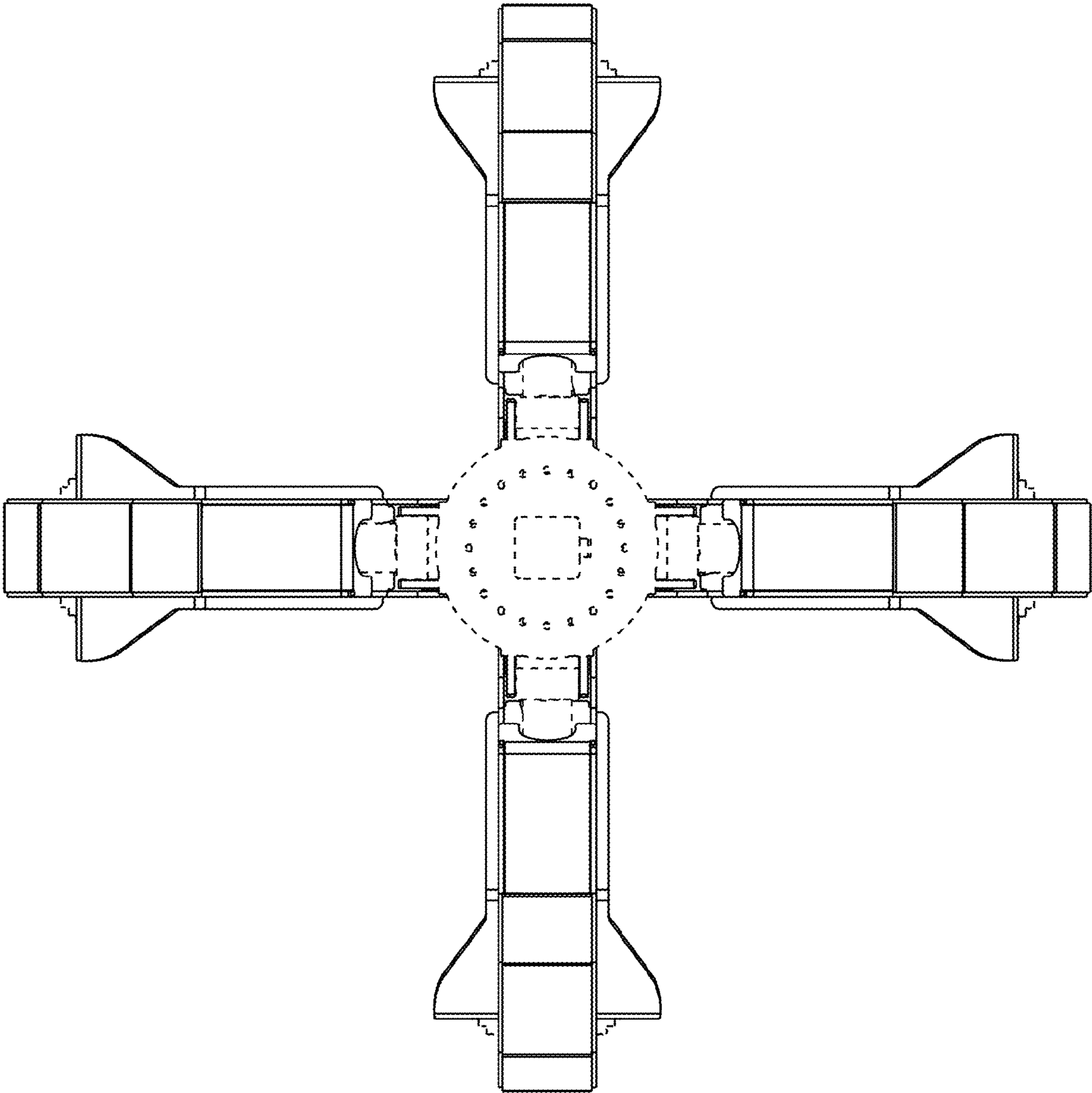


FIG. 12

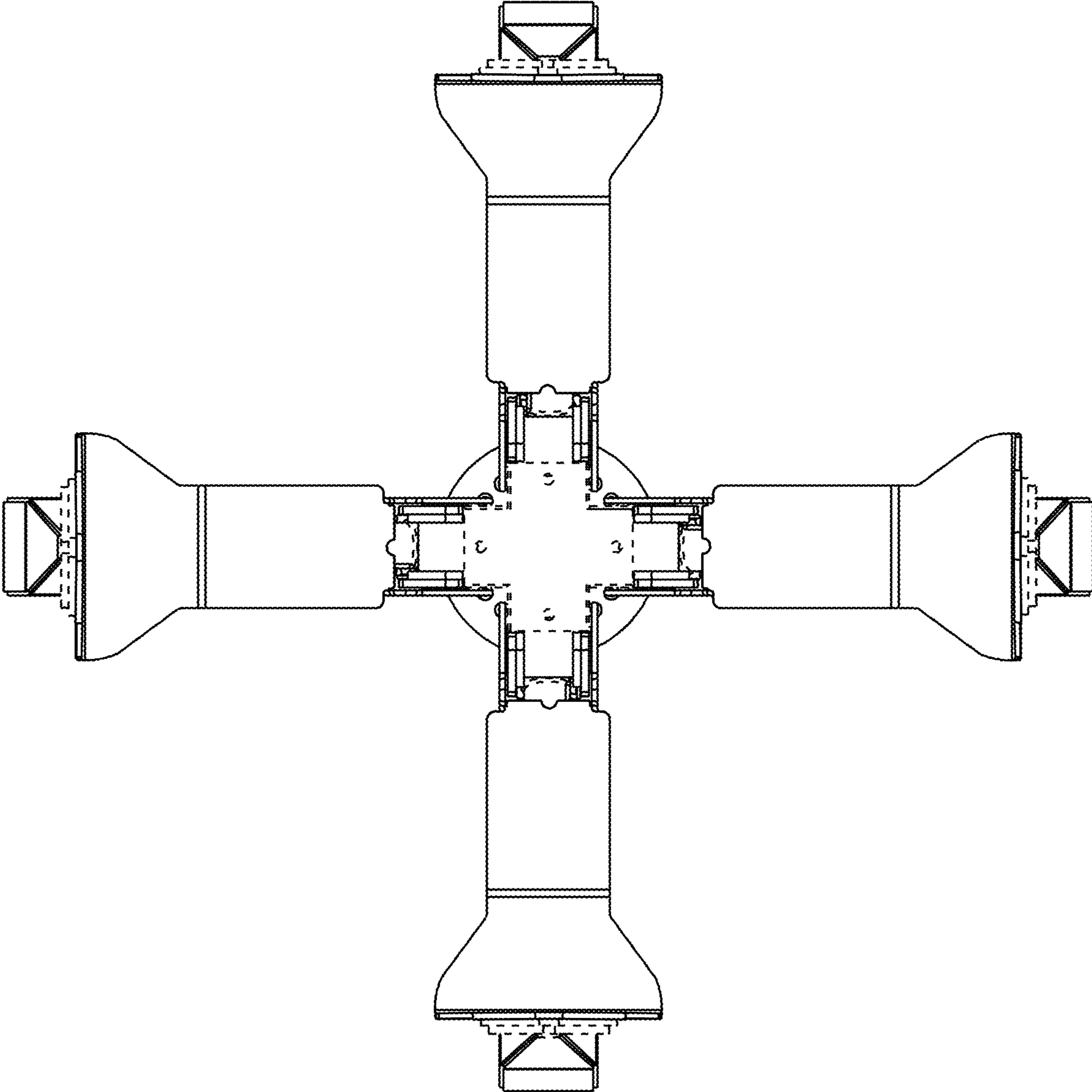


FIG. 13

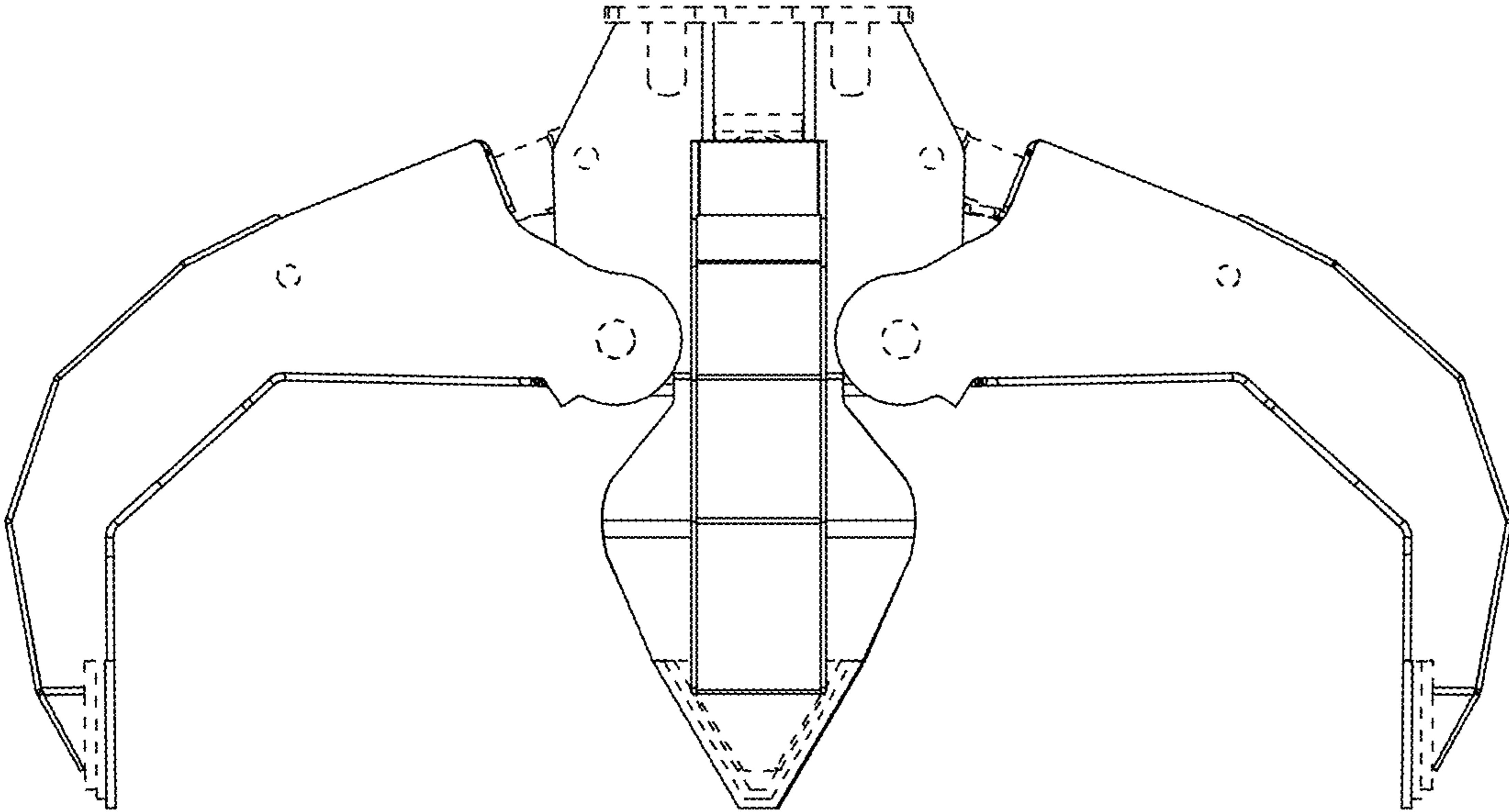


FIG. 14

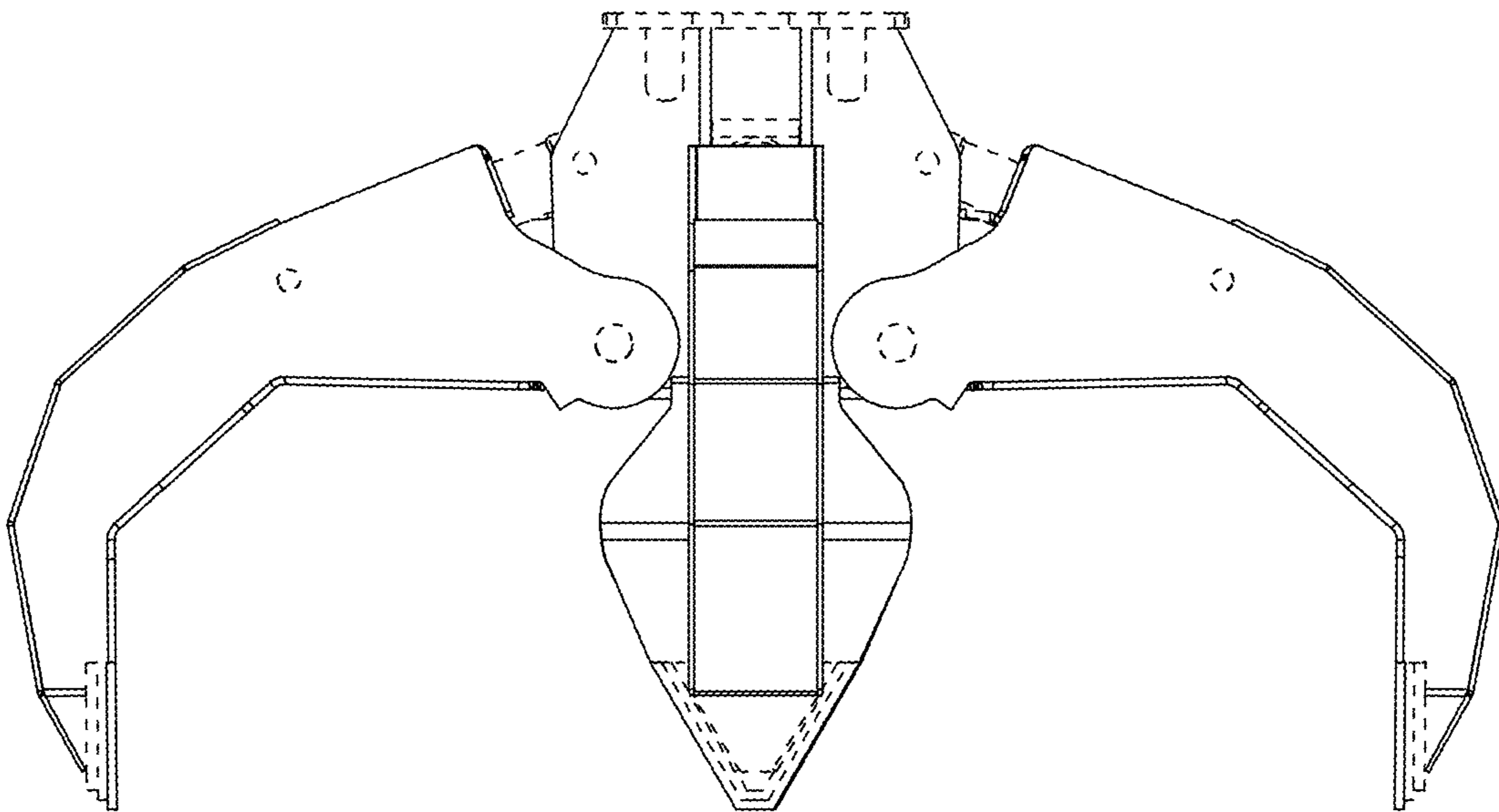


FIG. 15

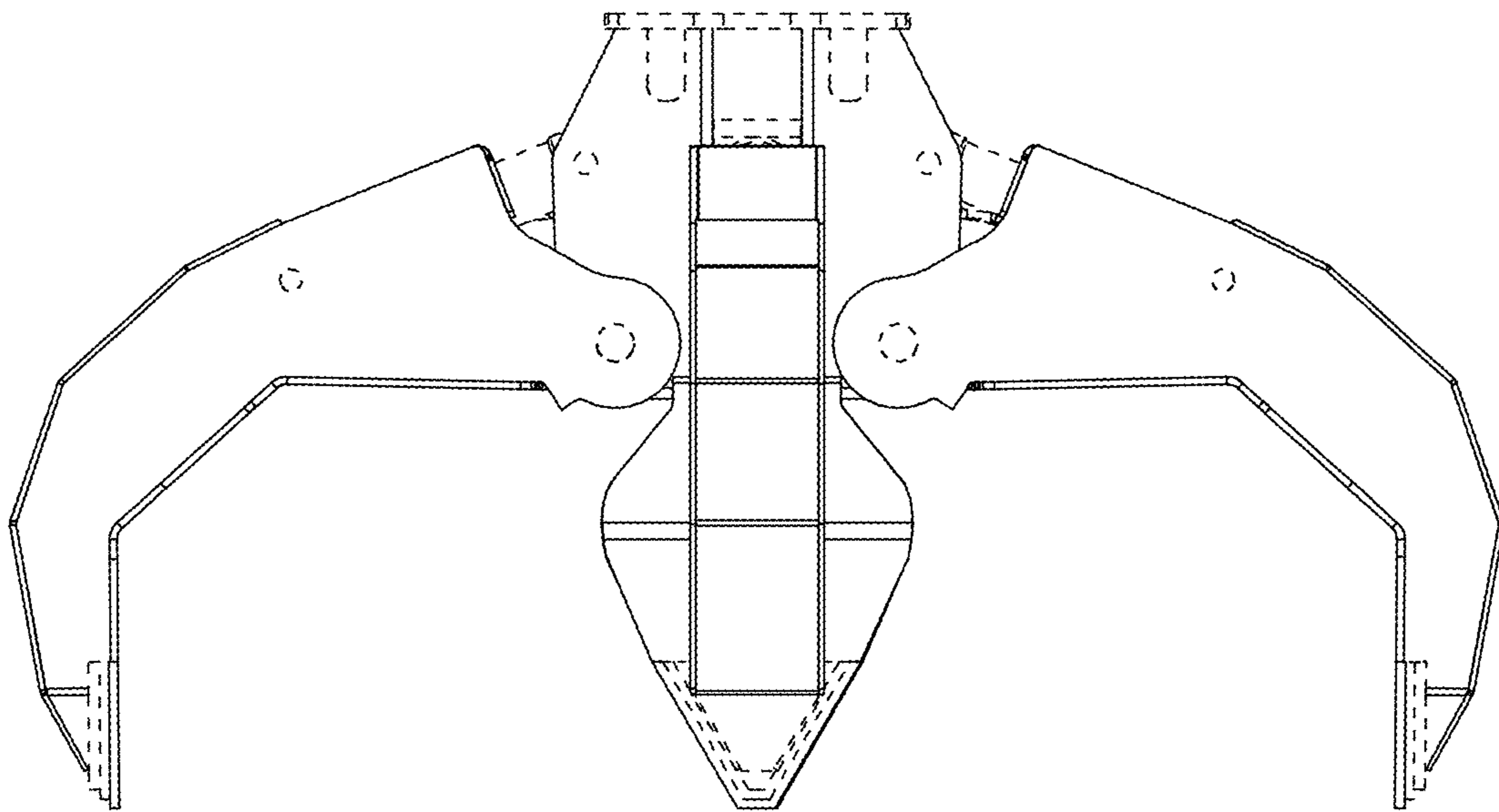


FIG. 16

