



US00D920388S

(12) **United States Design Patent**
Wagner et al.

(10) **Patent No.:** **US D920,388 S**
(45) **Date of Patent:** **** May 25, 2021**

(54) **CONTROL UNIT**
(71) Applicant: **Spohn & Burkhardt GmbH & Co. KG**, Blaubeuren (DE)
(72) Inventors: **Jürgen Wagner**, Blaubeuren (DE);
Gerhard Oesterle, Blaubeuren (DE);
Philipp Kessler, Blaubeuren (DE);
Thomas Starczewski, Ulm (DE)
(73) Assignee: **SPOHN & BURKHARDT GMBH & CO. KG**, Blaubeuren (DE)
(**) Term: **15 Years**

6,039,141 A * 3/2000 Denny B60N 2/797
180/329
6,164,285 A * 12/2000 Garberg B60K 20/00
180/324
6,189,964 B1 * 2/2001 Henshaw B60N 2/38
297/112
6,267,195 B1 * 7/2001 Takahasi B60K 23/00
180/315
D463,459 S * 9/2002 Tamaru D15/28
6,634,453 B2 * 10/2003 Arthur B60N 2/797
180/315
6,675,508 B2 * 1/2004 Tamaru E02F 9/16
180/333
6,752,468 B2 * 6/2004 Eliasson B60P 1/283
180/331

(Continued)

(21) Appl. No.: **29/711,329**
(22) Filed: **Oct. 30, 2019**

Primary Examiner — Mark A Goodwin
(74) *Attorney, Agent, or Firm* — Polson Intellectual Property Law, PC; Margaret Polson

(30) **Foreign Application Priority Data**

Apr. 30, 2019 (WO) 83091
(51) **LOC (13) Cl.** **15-03**
(52) **U.S. Cl.**
USPC **D15/28**

(57) **CLAIM**

The ornamental design for control unit, as shown and described.

(58) **Field of Classification Search**
USPC D15/10, 22–26, 28, 30, 31; 180/89.11,
180/89.12, 89.13, 89.19, 900, 90, 315,
180/316, 326, 333, 334, 320, 336;
296/190.01, 190.08, 210, 190, 202,
296/190.03; D12/195
CPC B60K 23/00; E02F 9/2004; E02F 9/2025;
E02F 9/2054; G05G 9/047; Y10T
74/20012; B62D 35/00; B62D 39/00;
B62D 47/00; B62D 47/043
See application file for complete search history.

DESCRIPTION

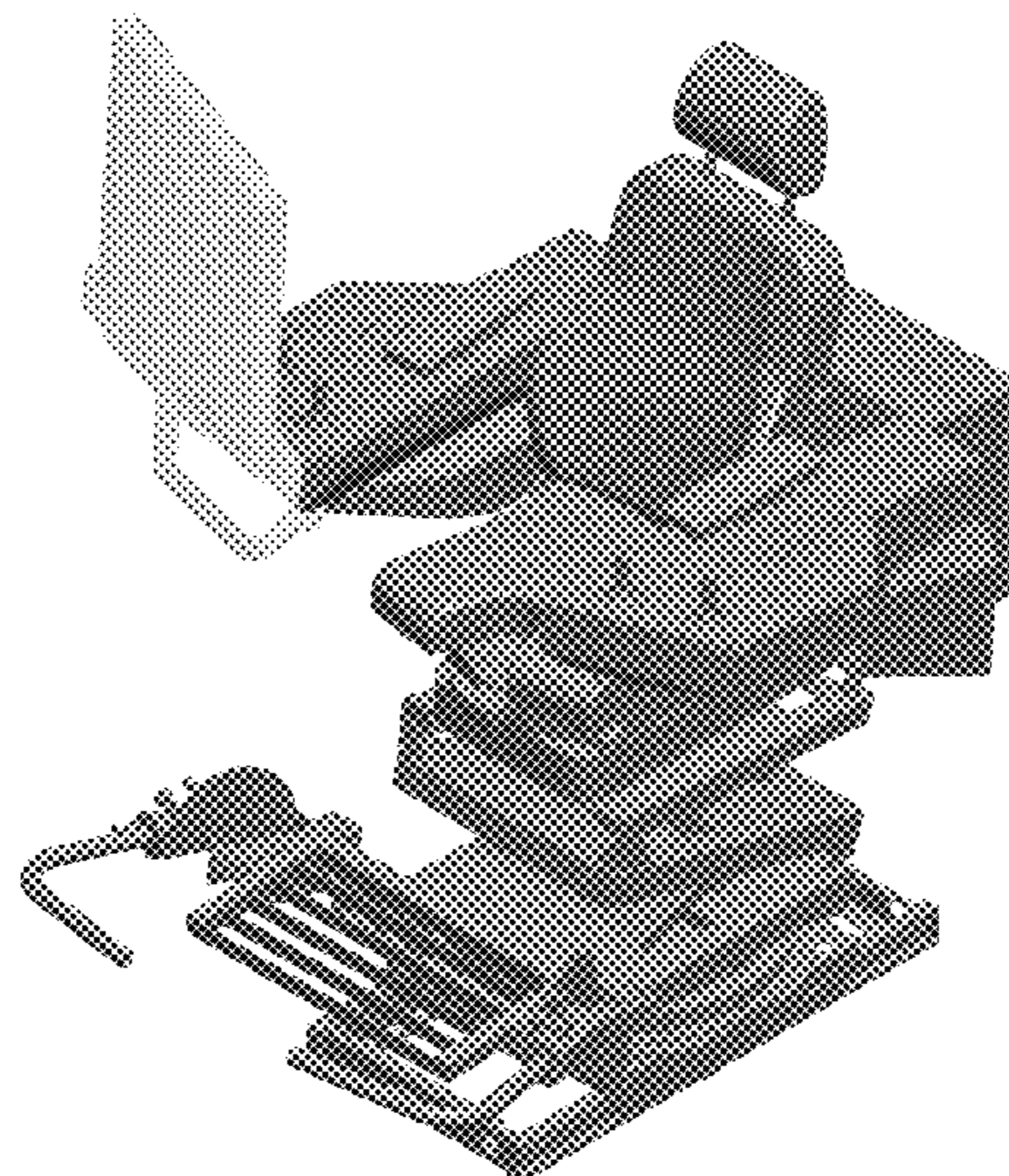
FIG. 1 is a top front right isometric view of our new invention for a control unit.
FIG. 2 is a top rear left isometric view of FIG. 1.
FIG. 3 is a bottom front left isometric view of FIG. 1.
FIG. 4 is a bottom rear right isometric view of FIG. 1.
FIG. 5 is a front side elevation view of FIG. 1.
FIG. 6 is a back side elevation view of FIG. 1.
FIG. 7 is a left side elevation view of FIG. 1.
FIG. 8 is a right side elevation view of FIG. 1.
FIG. 9 is a top plan view of FIG. 1; and,
FIG. 10 is a bottom plan view of FIG. 1.
The right arm of the control unit contains an extended feature along with a display and display support shown in light grey and forms no part of the claimed design.

(56) **References Cited**

U.S. PATENT DOCUMENTS

4,126,202 A * 11/1978 Hern B60K 35/00
180/89.12
D420,685 S * 2/2000 Muranen D15/30

1 Claim, 10 Drawing Sheets



(56)

References Cited

U.S. PATENT DOCUMENTS

6,942,282 B1 * 9/2005 Jacobs B62D 33/0617
296/190.01
D513,415 S * 1/2006 Klein D15/30
D546,841 S * 7/2007 McCarren, Jr. D15/28
D555,676 S * 11/2007 Haubrich D15/28
7,854,291 B2 * 12/2010 Akahane E02F 9/2025
180/333
7,857,090 B2 * 12/2010 Ruhter E02F 9/16
180/333
D664,998 S * 8/2012 Warr D15/28
D685,007 S * 6/2013 Tanaka D15/28
D786,313 S * 5/2017 Okuyama D15/28
D856,379 S * 8/2019 Ninomiya D15/28
D856,380 S * 8/2019 Ninomiya D15/28
D856,381 S * 8/2019 Ninomiya D15/28
D857,755 S * 8/2019 Ninomiya D15/28
10,434,914 B2 * 10/2019 Bittner B60N 2/79
2006/0061122 A1 * 3/2006 Billger B66F 9/20
296/65.07
2010/0300796 A1 * 12/2010 Ryan B60N 2/143
180/329

* cited by examiner

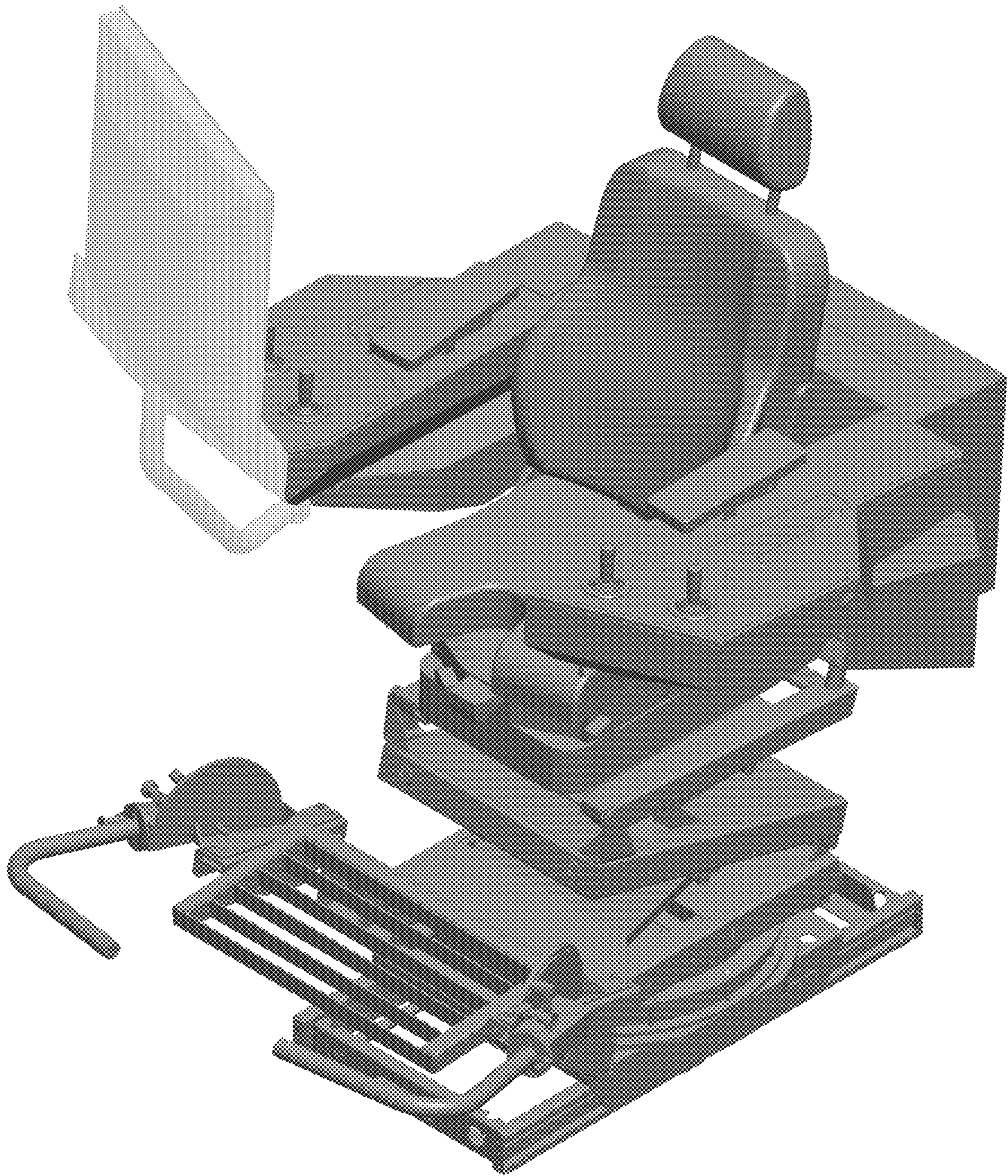


FIG. 1

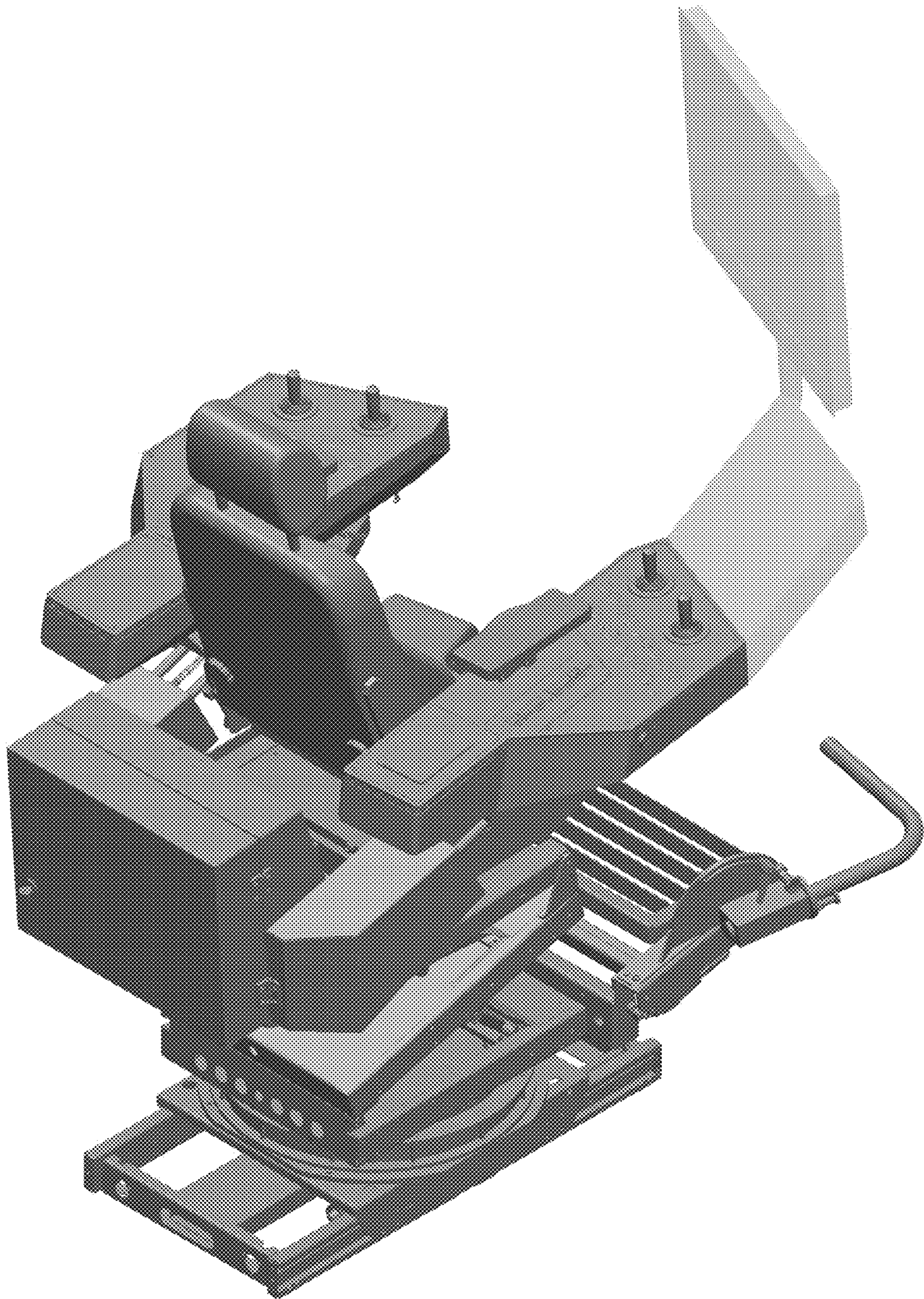
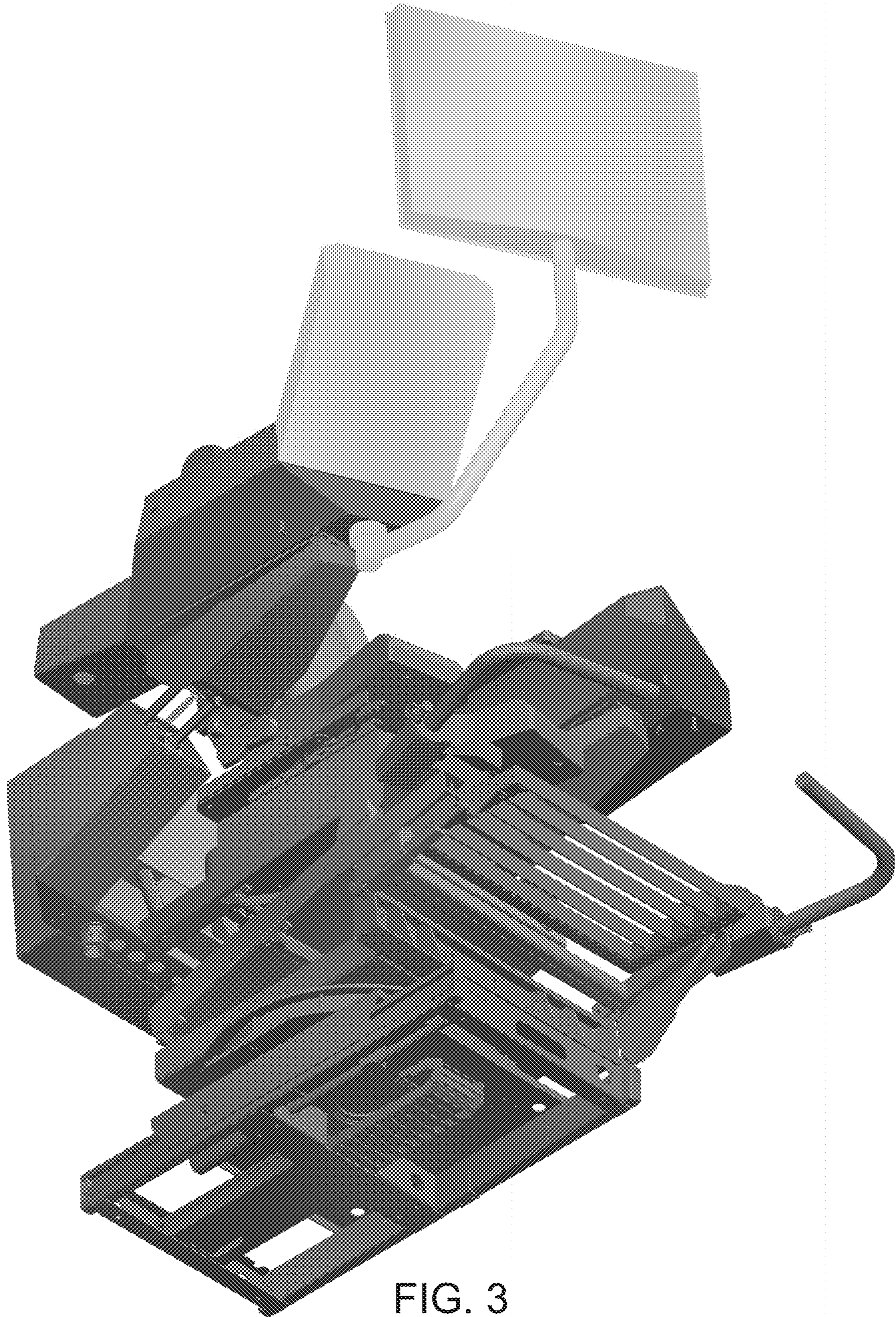


FIG. 2



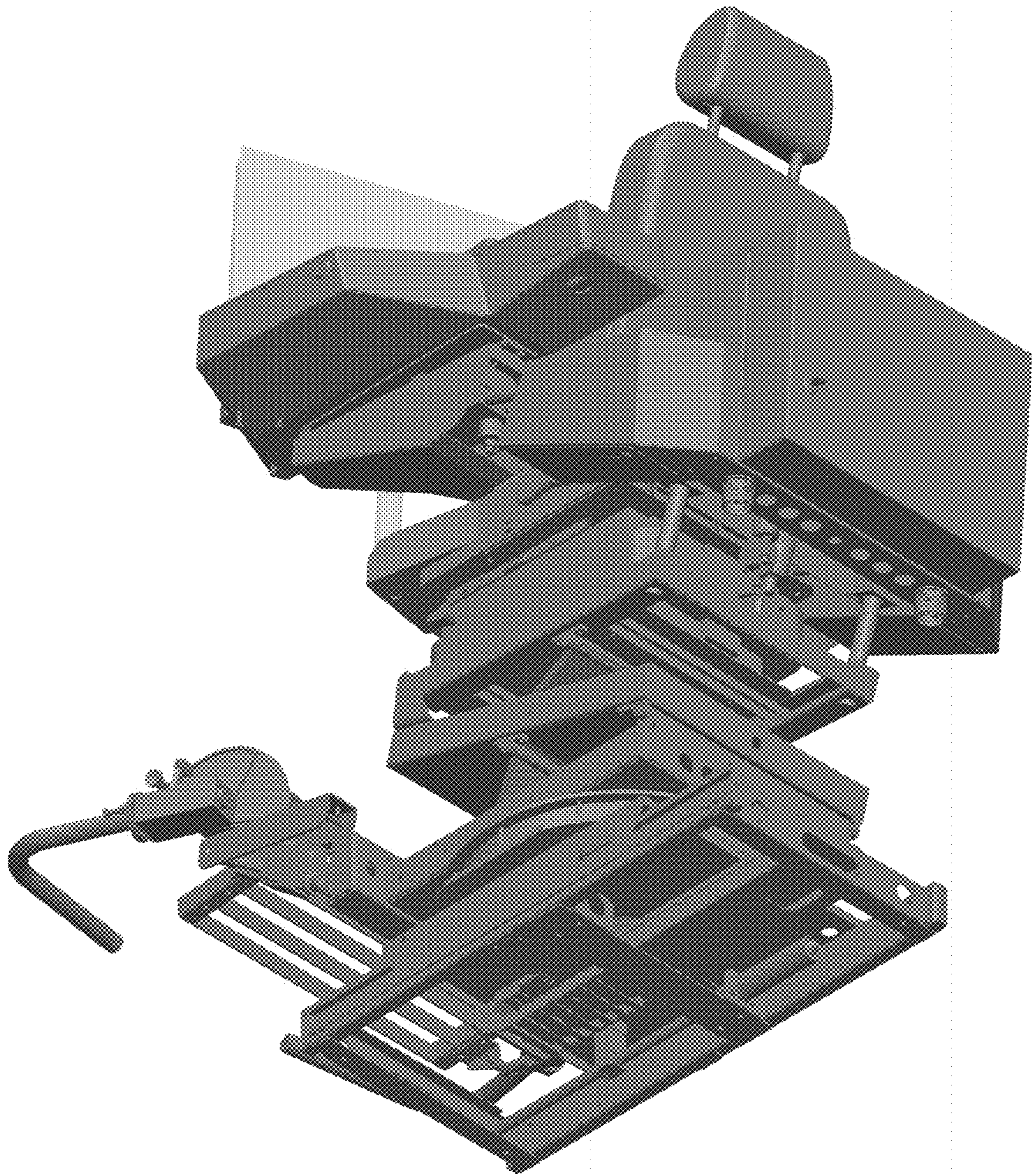


FIG. 4

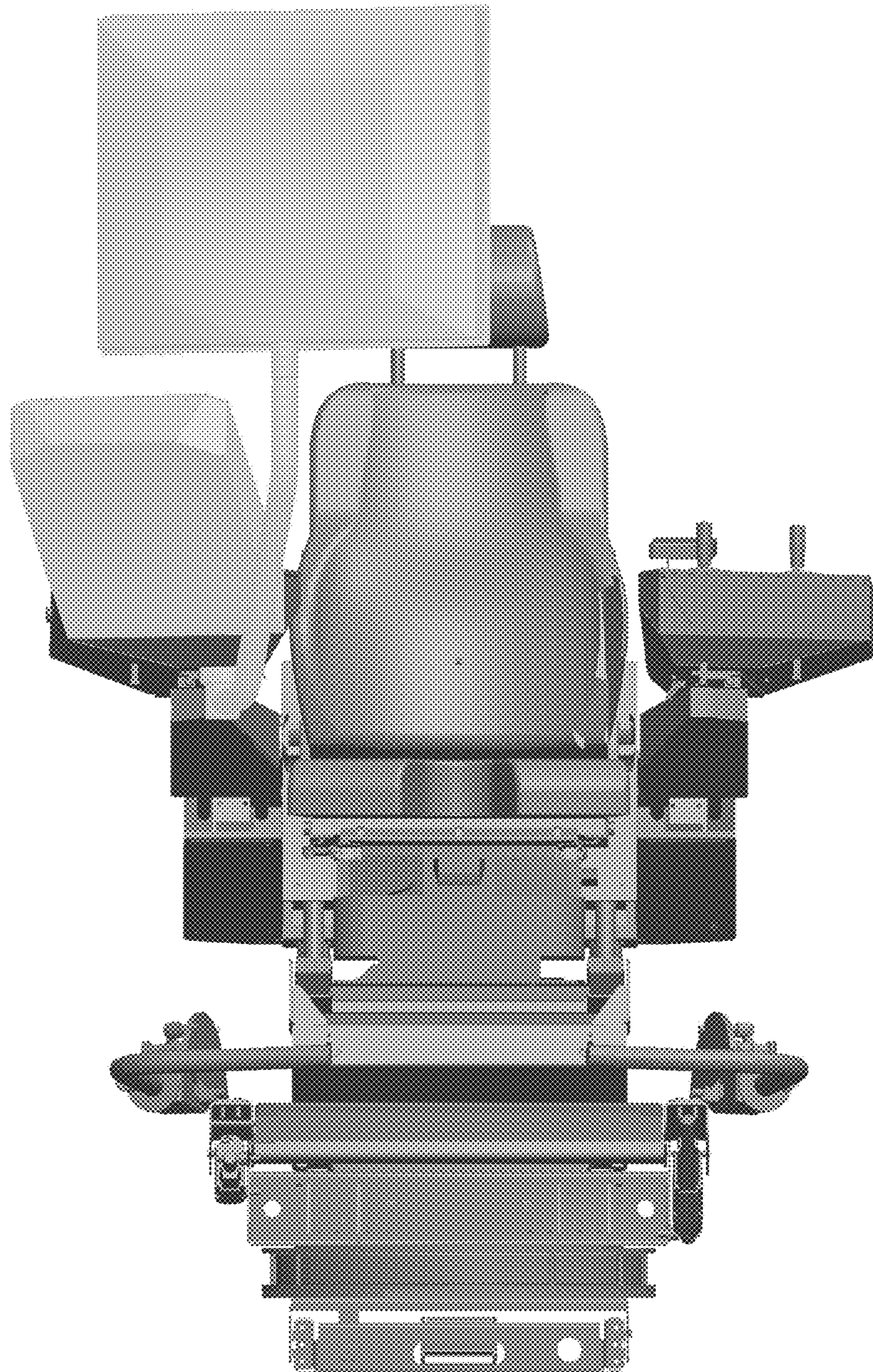


FIG. 5

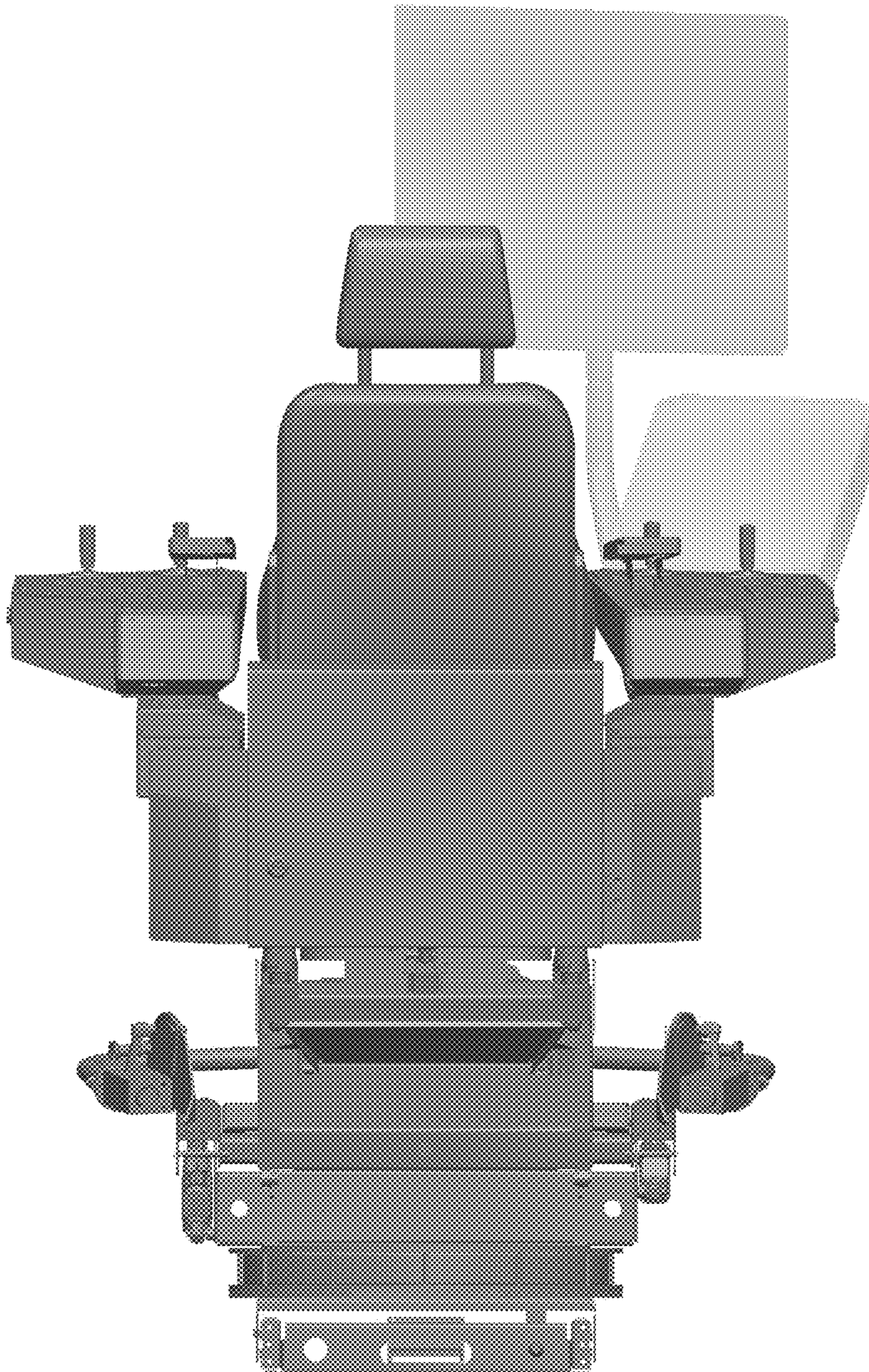


FIG. 6

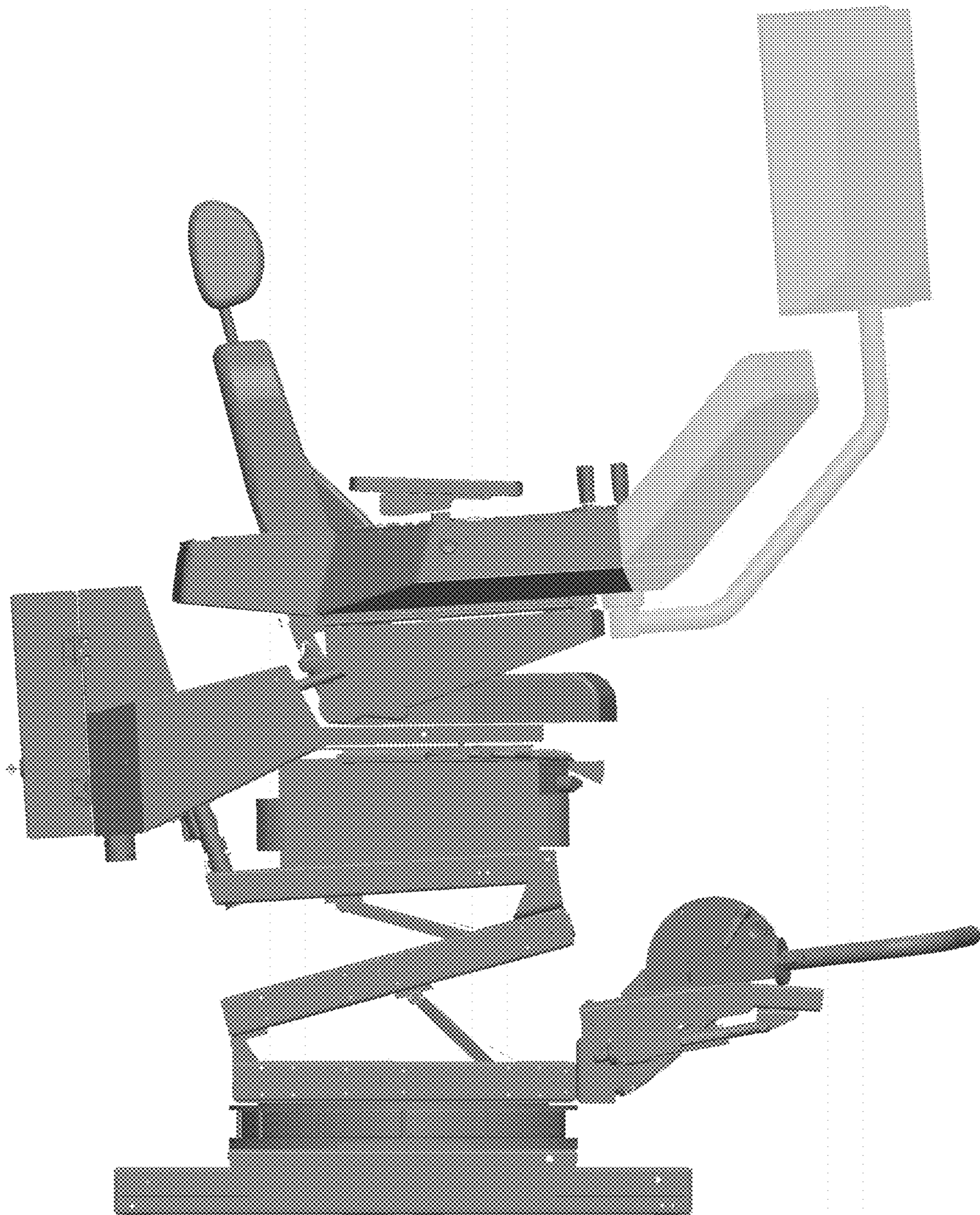


FIG. 7

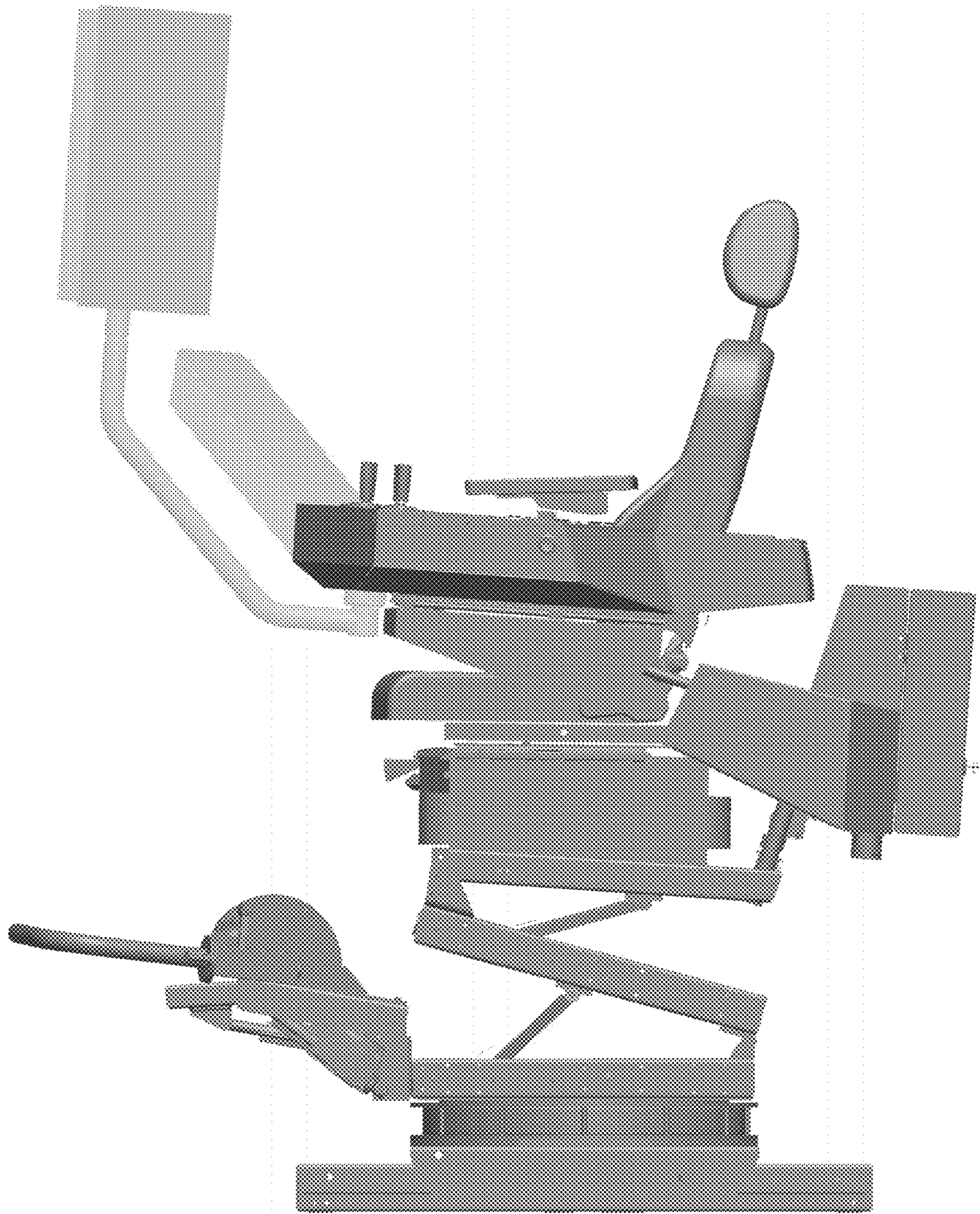


FIG. 8

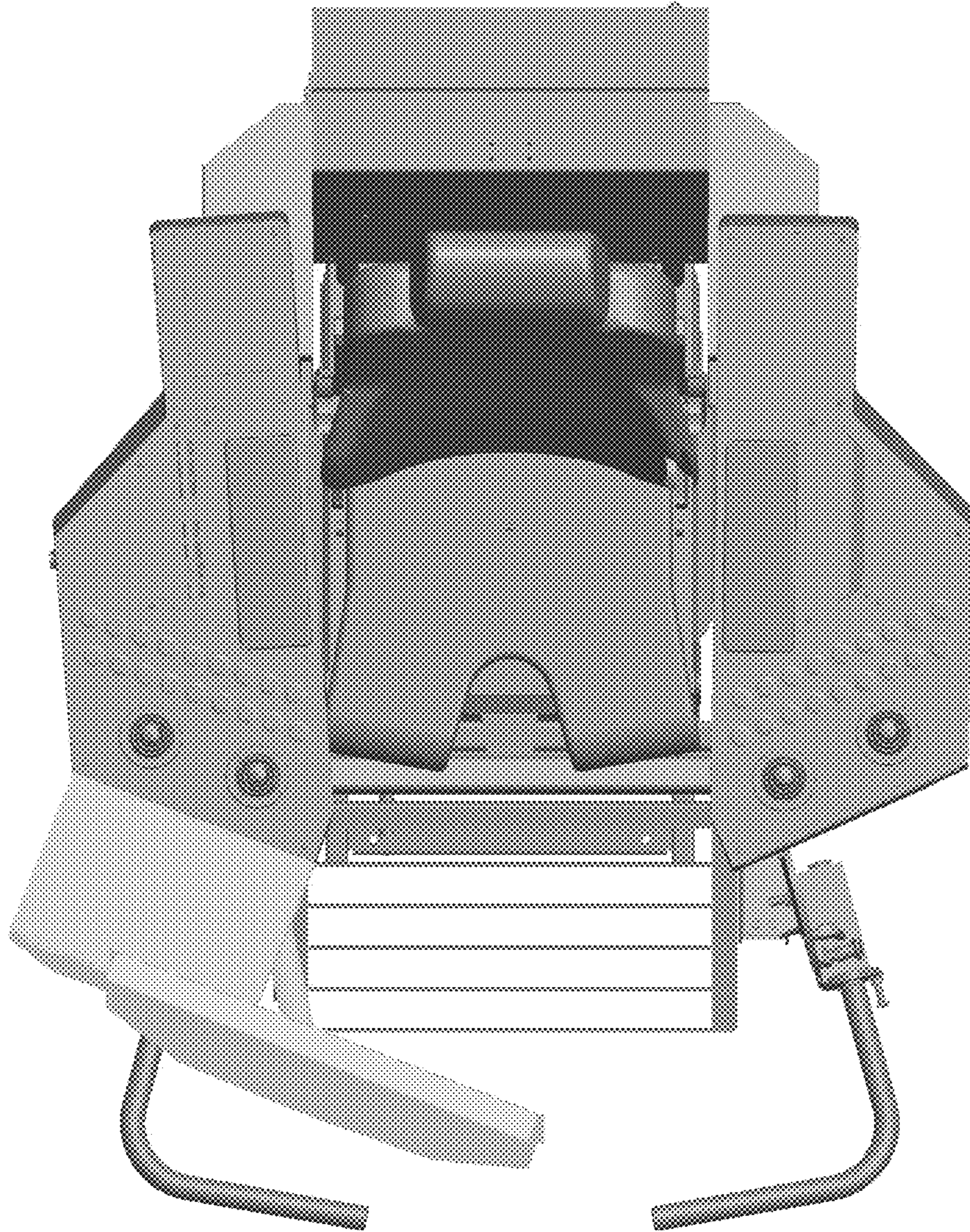


FIG. 9

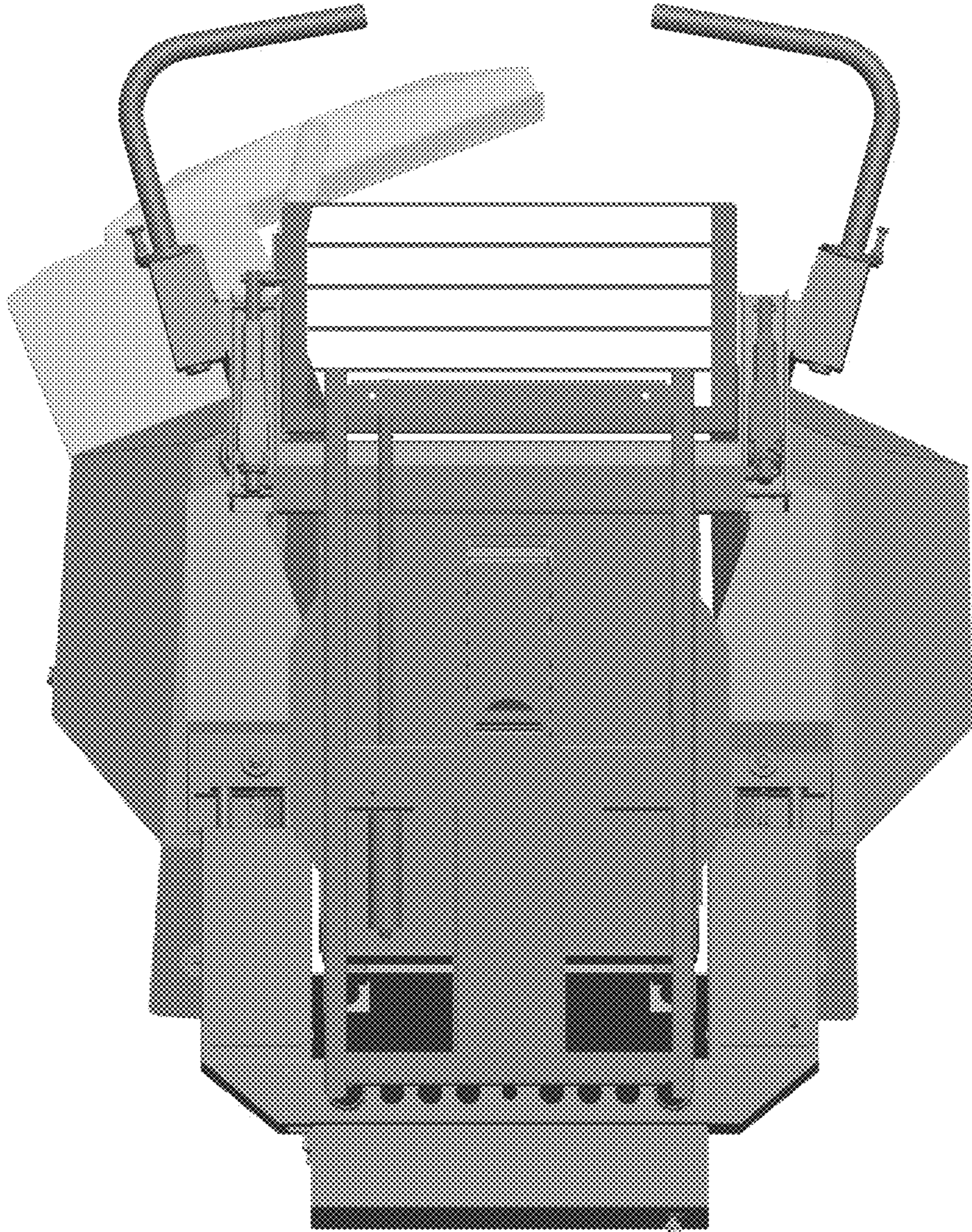


FIG. 10