

US00D920387S

(12) **United States Design Patent**
Bentley

(10) **Patent No.:** **US D920,387 S**

(45) **Date of Patent:** **** May 25, 2021**

(54) **PULL-TYPE TOPDRESSER COMPOST SPREADER**

(71) Applicant: **Conestoga Manufacturing, LLC,**
Kirkwood, PA (US)

(72) Inventor: **John A. Bentley,** Manheim, PA (US)

(73) Assignee: **CONESTOGA MANUFACTURING, LLC,**
Kirkwood, PA (US)

(**) Term: **15 Years**

(21) Appl. No.: **29/690,792**

(22) Filed: **May 10, 2019**

(51) **LOC (13) Cl.** **15-03**

(52) **U.S. Cl.**
USPC **D15/27**

(58) **Field of Classification Search**
USPC D15/13, 27; 293/146, 176, 661, 671,
293/672, 165
CPC .. A01C 3/06; A01C 3/063; A01C 3/00; A01C
15/00; A01C 15/12; A01C 7/06; A01C
17/0001; A01C 19/00; A01C 19/203
See application file for complete search history.

(56) **References Cited**

U.S. PATENT DOCUMENTS

- 4,220,280 A * 9/1980 Trott B60P 1/006
239/1
- 4,473,184 A * 9/1984 Martin A01C 3/063
239/662
- D296,789 S * 7/1988 Larsson D15/13

- 5,307,952 A * 5/1994 Worrel A01C 15/122
198/690.2
- D388,440 S * 12/1997 Bentley D15/13
- D428,021 S * 7/2000 Bentley D15/13
- 6,149,079 A * 11/2000 Kinkead A01C 15/122
239/661
- 6,202,944 B1 * 3/2001 McCrory A01C 15/122
239/658
- D450,063 S * 11/2001 Bentley D15/13
- D469,784 S * 2/2003 Bentley D15/13
- 6,533,198 B1 * 3/2003 Podevels A01C 15/122
239/657
- D480,094 S * 9/2003 Fisher D15/27
- 6,817,552 B2 * 11/2004 Kinkead A01C 17/001
239/668
- D569,877 S * 5/2008 Tyler D15/13
- D629,018 S * 12/2010 Loxton D15/27

* cited by examiner

Primary Examiner — Mark A Goodwin

(74) *Attorney, Agent, or Firm* — Miller Law Group,
PLLC

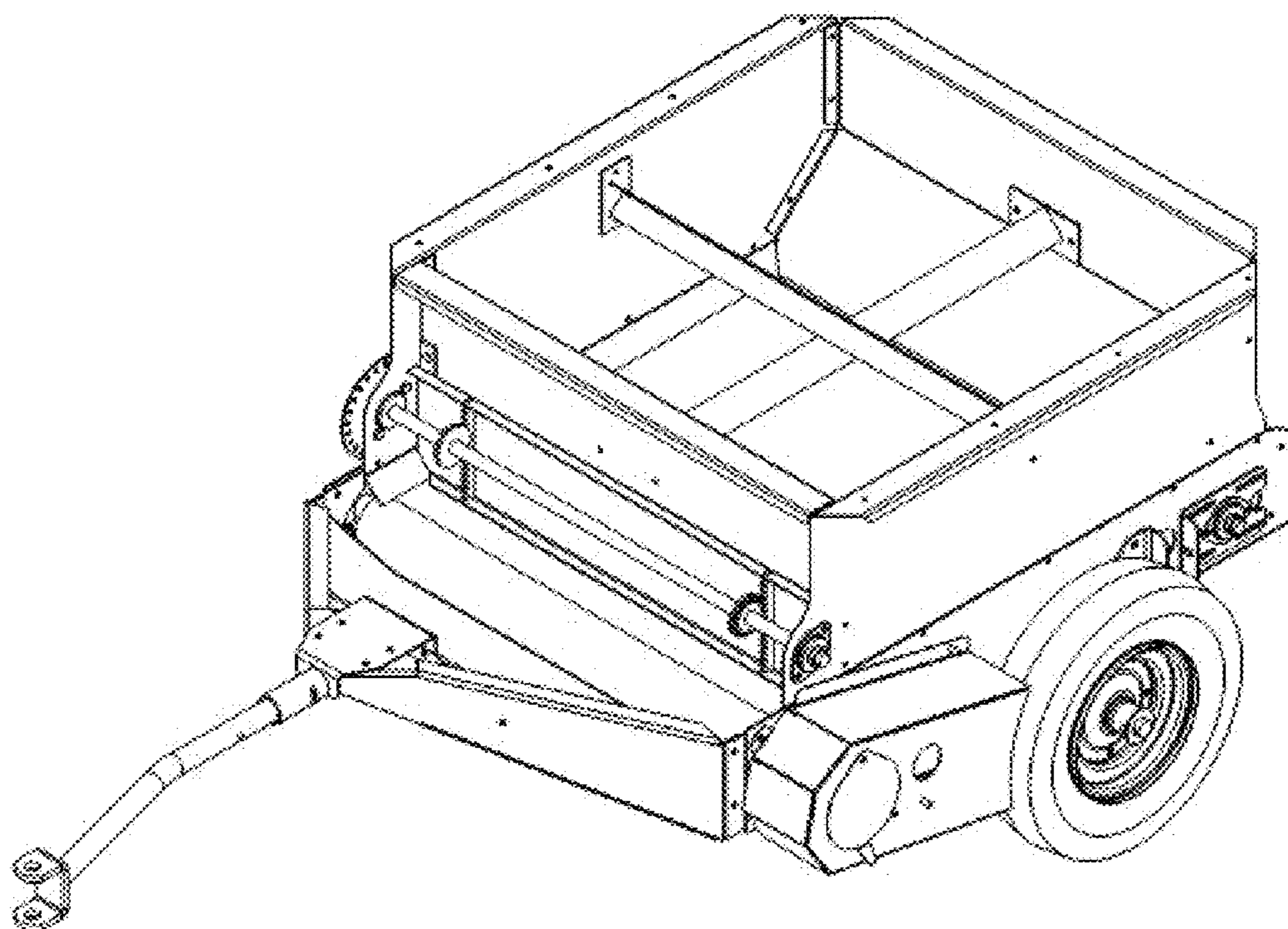
(57) **CLAIM**

The ornamental design for a pull-type topdresser compost spreader, as shown and described.

DESCRIPTION

FIG. 1 is a left front perspective view of the pull-type topdresser compost spreader showing my new design; FIG. 2 is a left side elevational view thereof; FIG. 3 is a right side elevational view thereof; FIG. 4 is a front elevational view thereof; FIG. 5 is a rear elevational view thereof; and, FIG. 6 is a top plan view thereof.

1 Claim, 6 Drawing Sheets



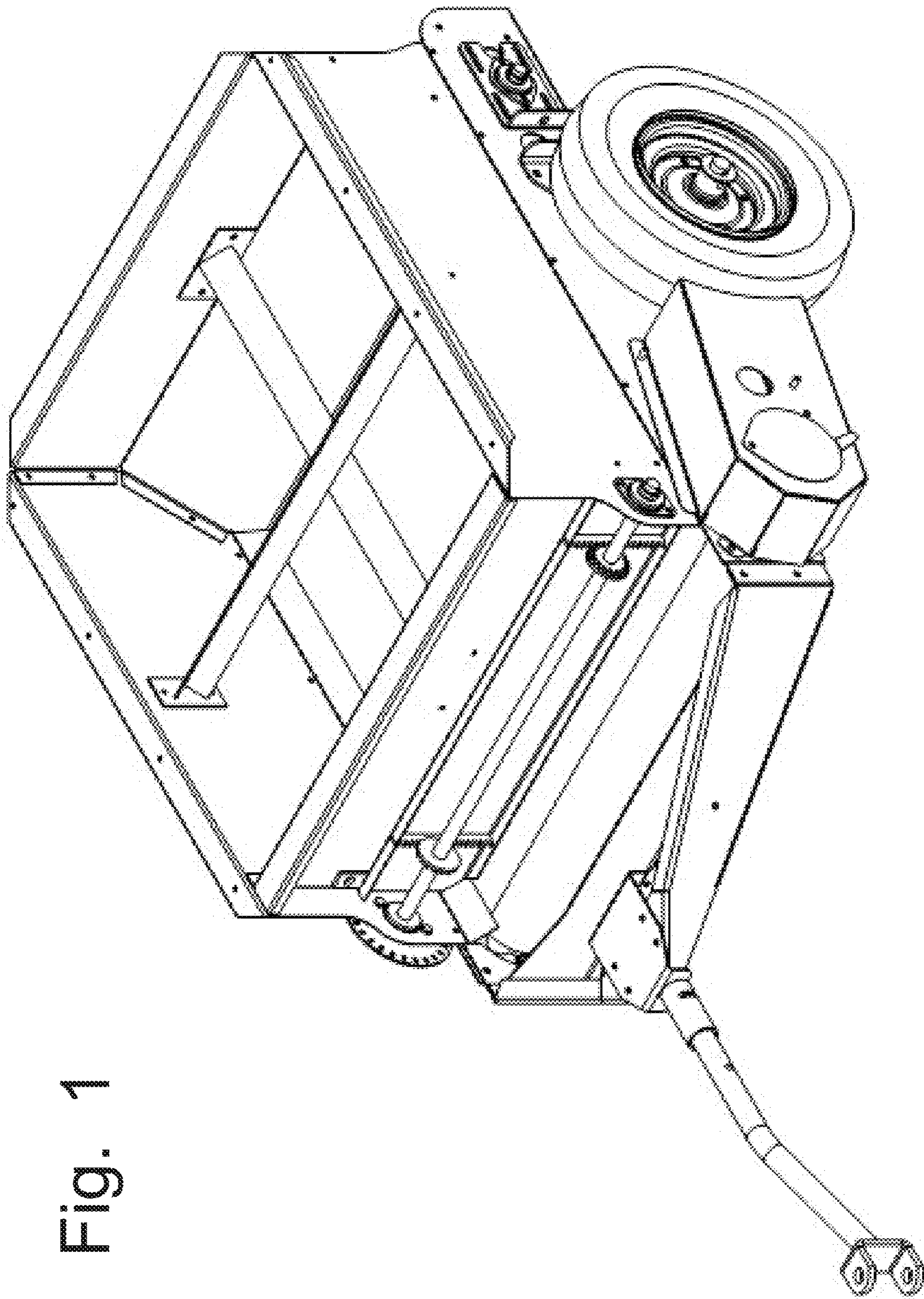


Fig. 1

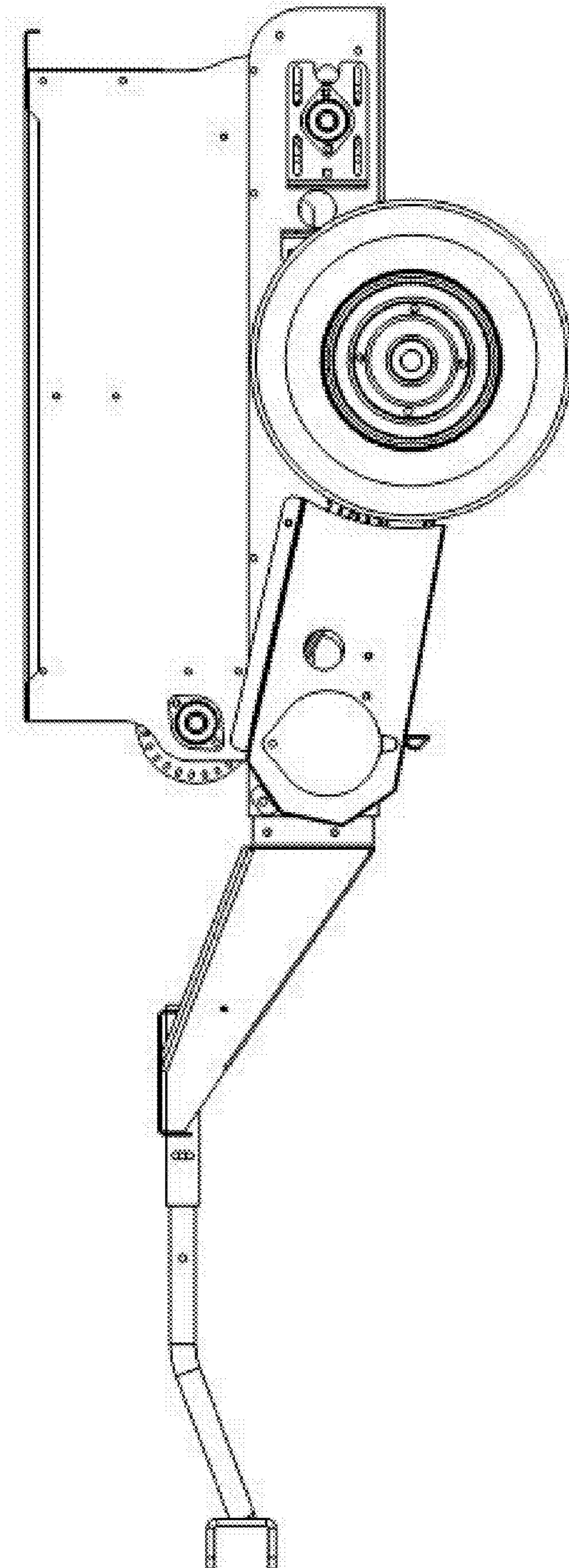
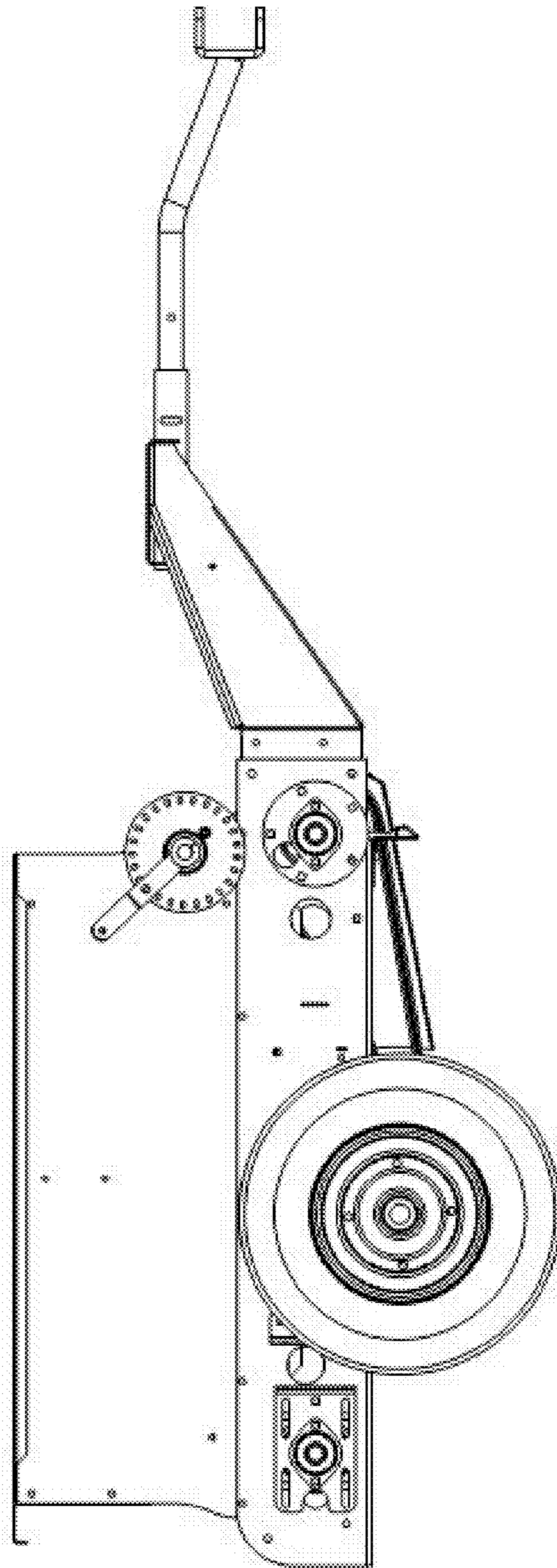


Fig. 2

Fig. 3



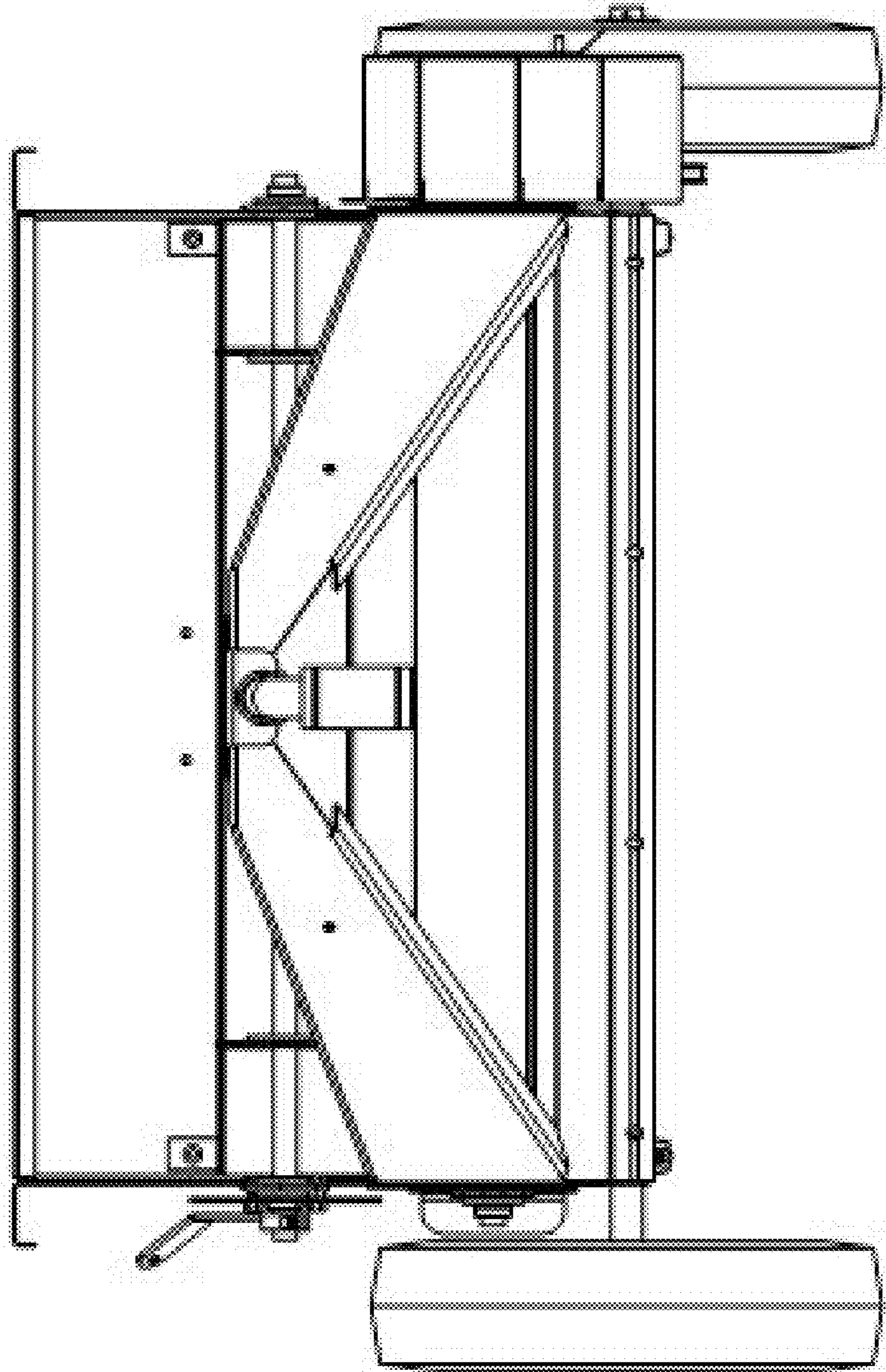


Fig. 4

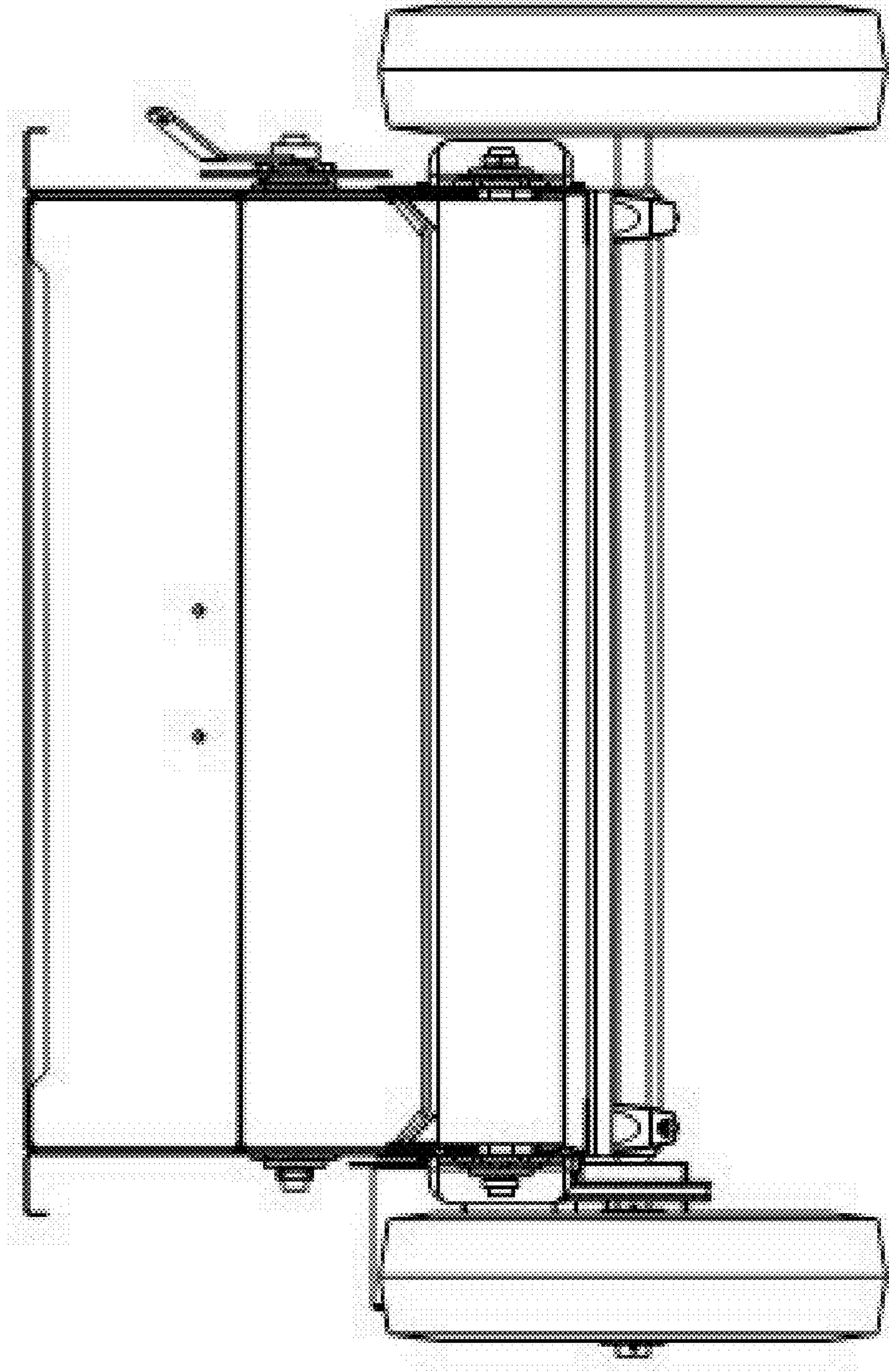


Fig. 5

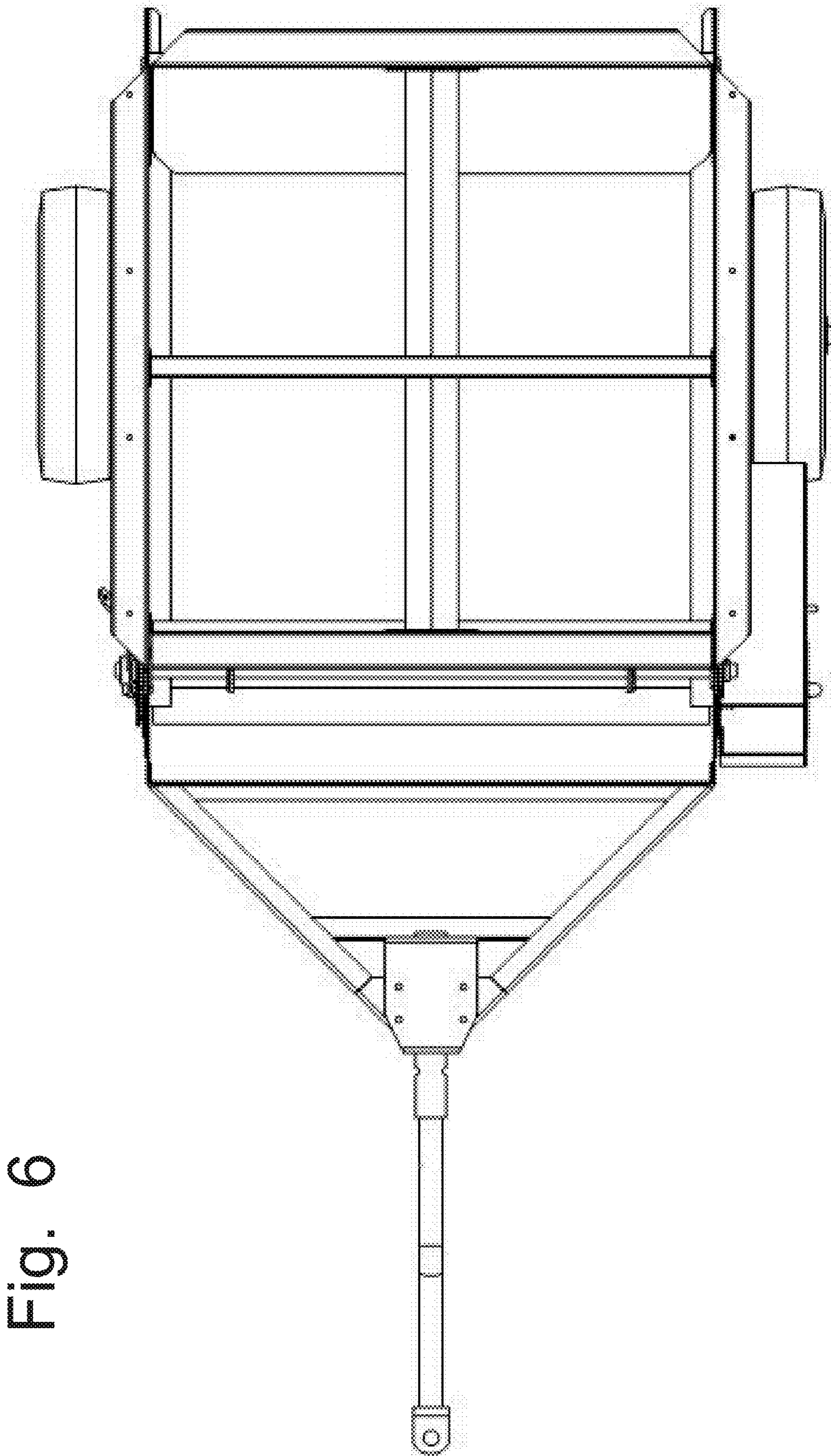


Fig. 6