



US00D920385S

(12) **United States Design Patent** (10) **Patent No.:** **US D920,385 S**
Salim (45) **Date of Patent:** **** May 25, 2021**

- (54) **WATER PUMP**
- (71) Applicant: **Dart Industries Inc.**, Orlando, FL (US)
- (72) Inventor: **Iwan Soetomo Salim**, Singapore (SG)
- (73) Assignee: **Dart Industries Inc.**, Orlando, FL (US)
- (**) Term: **15 Years**
- (21) Appl. No.: **29/700,953**
- (22) Filed: **Aug. 7, 2019**
- (51) **LOC (13) Cl.** **15-02**
- (52) **U.S. Cl.**
USPC **D15/7**
- (58) **Field of Classification Search**
USPC D28/9, 57, 62, 93, 99; D7/300-321, 398,
D7/401.1, 590; D23/210, 225, 231, 232,
D23/366; D15/7-9; D9/300, 448, 520,
D9/529, 530, 542, 543, 549, 558, 573,
D9/574
CPC A47K 5/16; A47K 5/1205; A47K 10/44;
B67D 1/02; B05D 1/02; B05C 17/0333;
B05B 7/24; B05B 11/00; B05B 11/3035;
B05B 9/14; B05B 23/02
See application file for complete search history.

(56) **References Cited**

U.S. PATENT DOCUMENTS

- 1,817,673 A * 8/1931 Buttner B67D 1/02
222/321.7
- 1,929,564 A * 10/1933 Mair B05B 11/3004
222/38
- 2,824,672 A * 2/1958 Wersching B05B 11/3035
222/207
- D295,522 S * 5/1988 Martin D15/7
- D299,720 S * 2/1989 Yoo D15/7
- 4,880,161 A * 11/1989 Wright B05B 11/3052
239/330
- D324,868 S * 3/1992 Jacobs D15/7

- 6,119,901 A * 9/2000 Hanna A47K 5/1205
222/321.1
 - D439,150 S * 3/2001 Gonda D9/542
 - D445,681 S * 7/2001 Kimble D9/434
- (Continued)

OTHER PUBLICATIONS

SWA USA, ECO Fountain Water Bottle Pump ECO Fountain Manual Drinking Water Pump Dispenser, (site visited Dec. 15, 2020), Kmart website, URL:<<https://www.kmart.com/swa-usa-eco-fountain-water-bottle-pump-adib004ff1r7q/p-A029295684>> (Year: 2020).*

(Continued)

Primary Examiner — Sheryl Lane
Assistant Examiner — Mark T. Philipps
(74) *Attorney, Agent, or Firm* — Taylor J. Ross

(57) **CLAIM**

The ornamental design for a water pump, as shown and described.

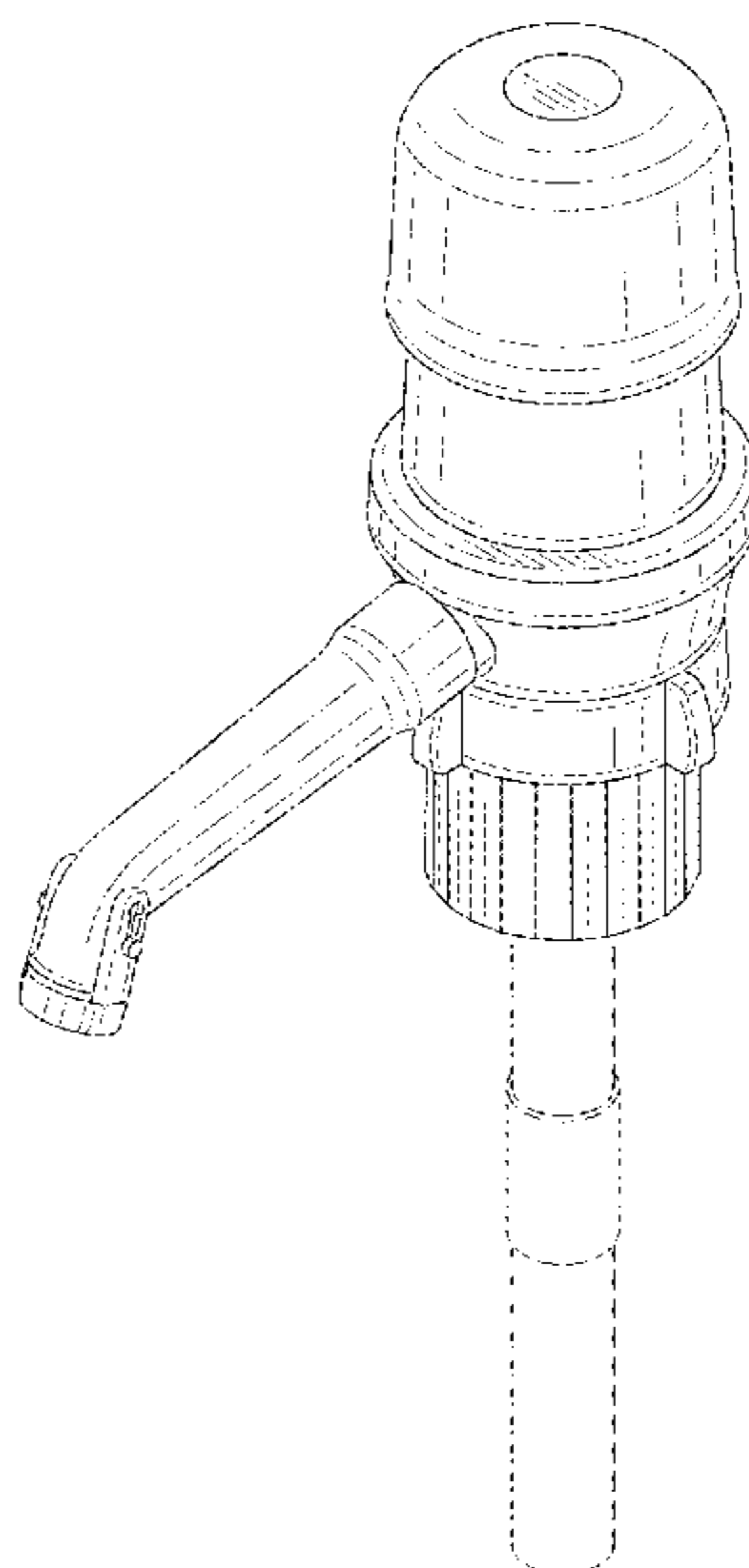
DESCRIPTION

This application is related to co-pending Ser. No. 16/534, 043, filed Aug. 7, 2019, which is incorporated herein by reference.

FIG. 1 is a top, front and left side isometric view of a water pump showing my new design;
FIG. 2 is a bottom, rear and left side isometric view thereof;
FIG. 3 is a top plan view thereof;
FIG. 4 is a bottom plan view thereof;
FIG. 5 is a front elevation view thereof;
FIG. 6 is a rear elevation view thereof;
FIG. 7 is a left side elevation view thereof; and,
FIG. 8 is a right side elevation view thereof.

The broken lines represent portions of the water pump and form no part of the claimed design. The alternating long dash short dash lines define the bounds of the claim and form no part of the claimed design.

1 Claim, 5 Drawing Sheets



(56)

References Cited

U.S. PATENT DOCUMENTS

D457,424 S * 5/2002 Lillelund D9/520
 D480,642 S * 10/2003 Dretzka D6/542
 D487,377 S * 3/2004 McDougall D7/306
 D488,716 S * 4/2004 Dretzka D6/542
 D490,321 S * 5/2004 Durant D9/500
 D507,460 S * 7/2005 Omdoll D23/239
 D534,425 S * 1/2007 Kuo D6/542
 7,815,074 B2 * 10/2010 Ciavarella A47K 5/12
 222/153.09
 D636,262 S * 4/2011 Michitsuji D9/448
 D659,167 S * 5/2012 Cocks D15/7
 D665,667 S * 8/2012 Ghiorghie D9/448
 10,247,595 B2 * 4/2019 Chen A47K 5/1217
 D876,234 S * 2/2020 Arminak D9/448
 D878,152 S * 3/2020 McDonald D7/398
 D878,803 S * 3/2020 Turner D6/542
 D885,442 S * 5/2020 Chen D15/7

10,677,256 B1 * 6/2020 Govaert B05B 11/3032
 2014/0332566 A1 * 11/2014 Peteri A47K 5/1211
 222/321.7
 2015/0136810 A1 * 5/2015 Ding B05B 11/305
 222/321.9
 2017/0112329 A1 * 4/2017 Babikian B05B 12/081
 2018/0235408 A1 * 8/2018 Perry A47K 5/1205
 2018/0304291 A1 * 10/2018 Knight B05B 11/3074

OTHER PUBLICATIONS

Yerdos, Universal Manual Drinking Water Pump, (first available Aug. 12, 2020), Amazon.com, URL:<https://www.amazon.com/Universal-Drinking-Dispenser-Pressure-Fountain/dp/B08FRK43N4/ref=asc_df_B08FRK43N4> (Year: 2020).*

Smirit, Electric Water Dispenser, (first available Jan. 6, 2020), Amazon.com, URL:<<https://www.amazon.com/dp/B083JPY6BF>> (Year: 2020).*

* cited by examiner

FIG. 1

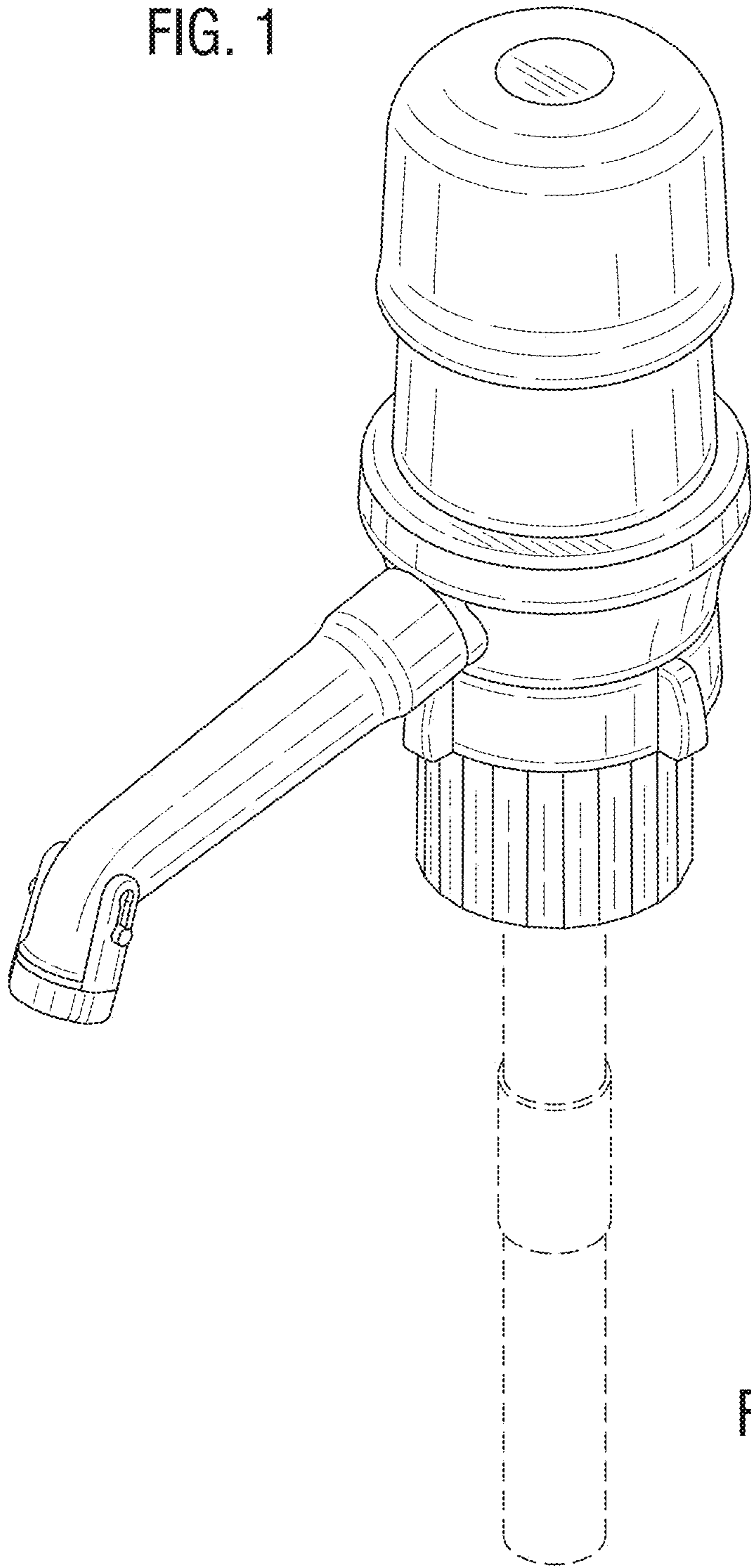
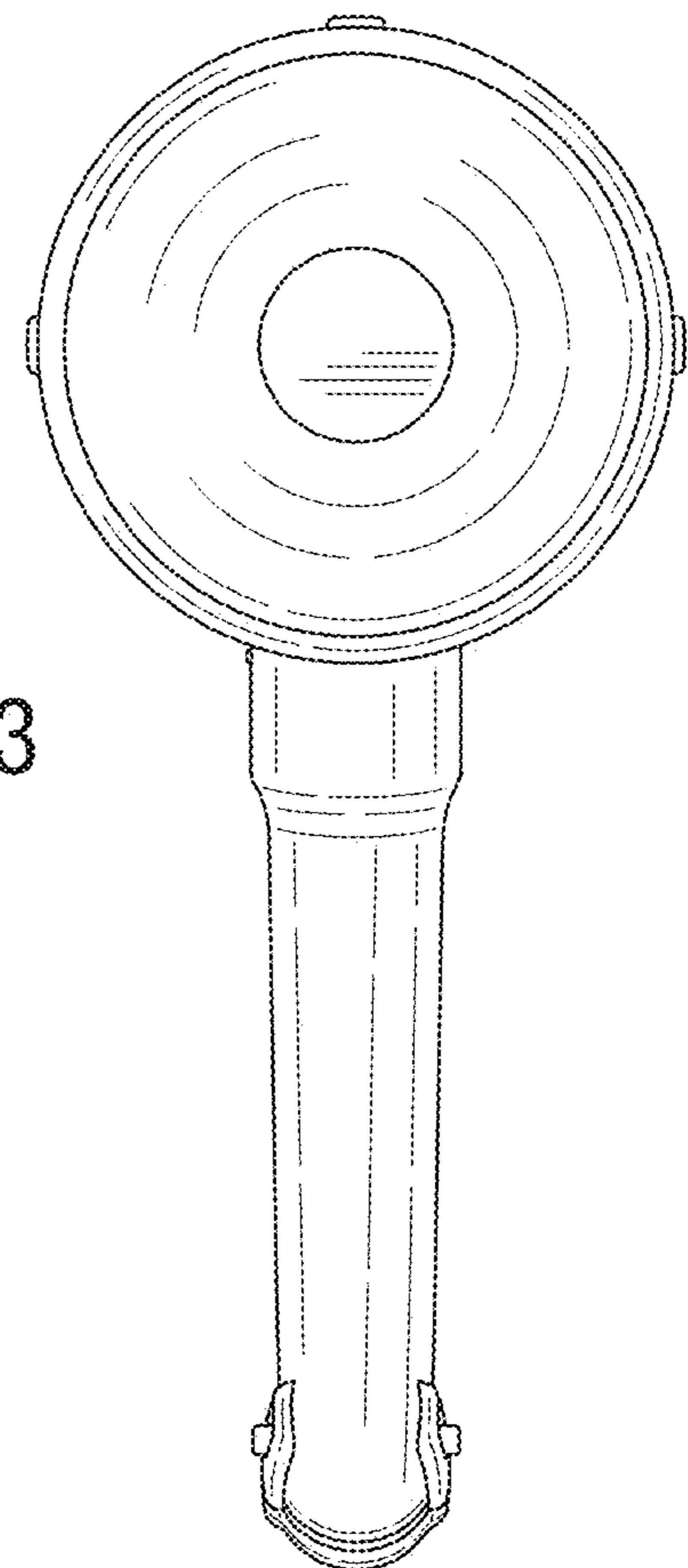


FIG. 3



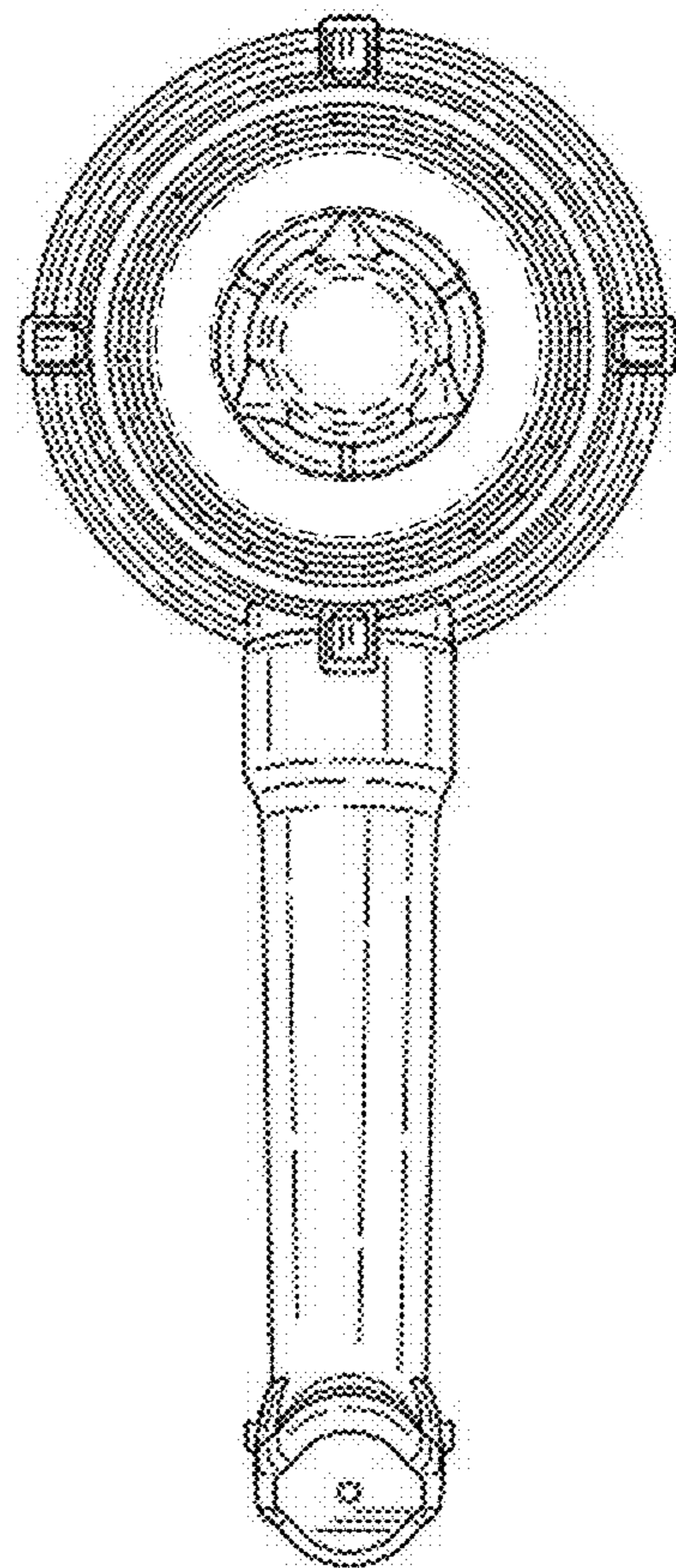
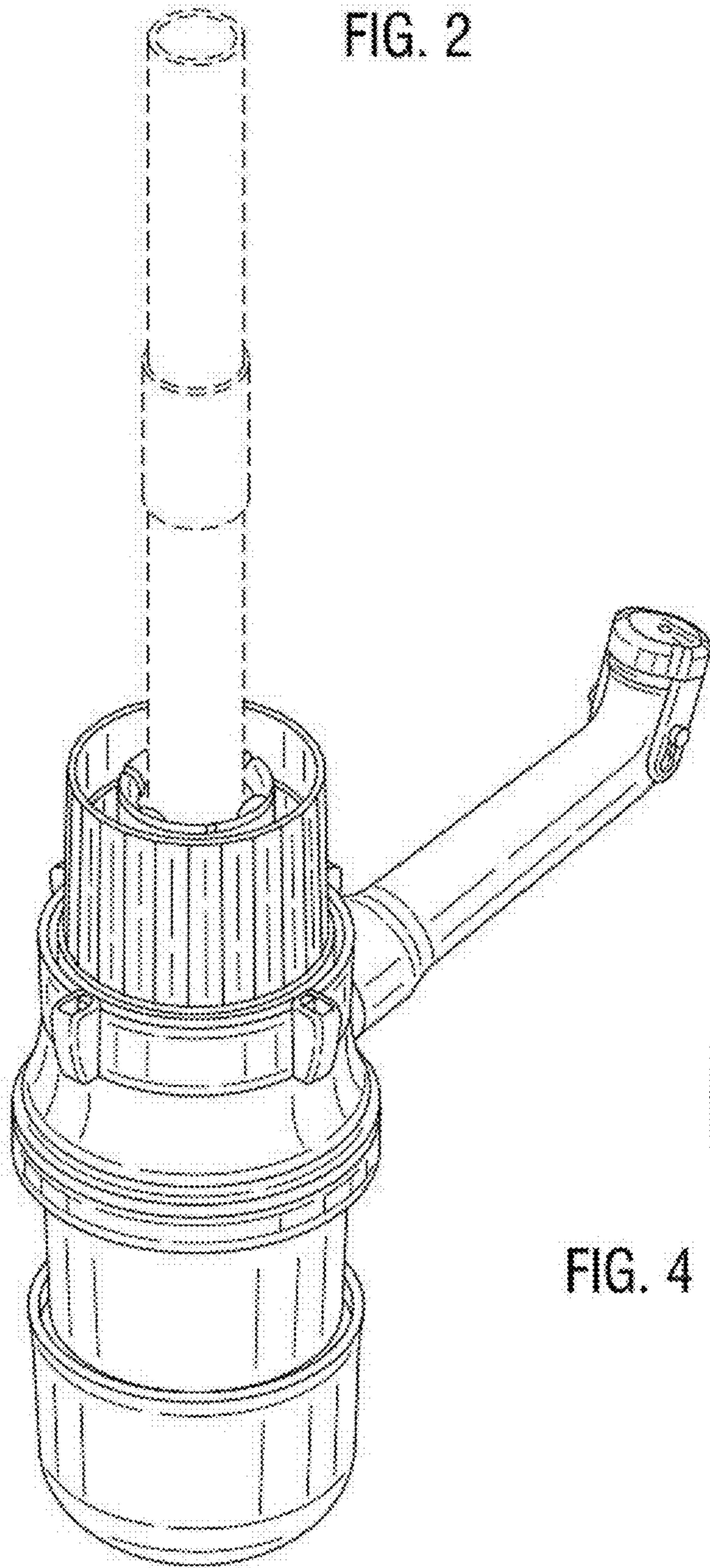


FIG. 5

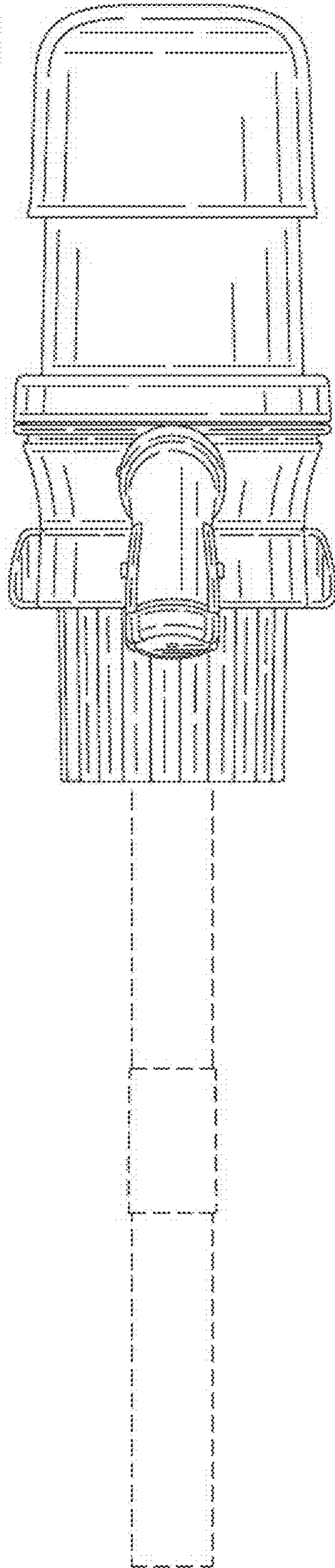


FIG. 6

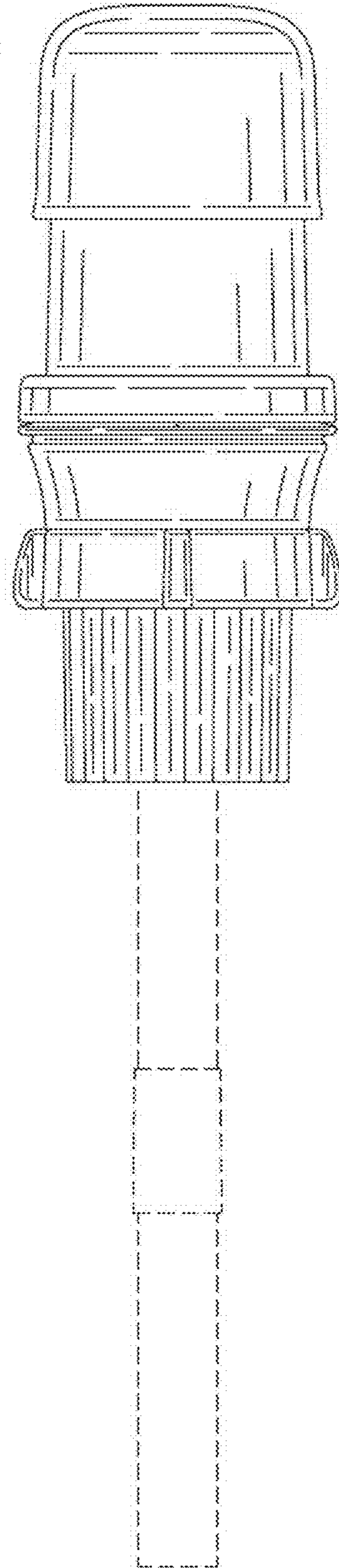


FIG. 7

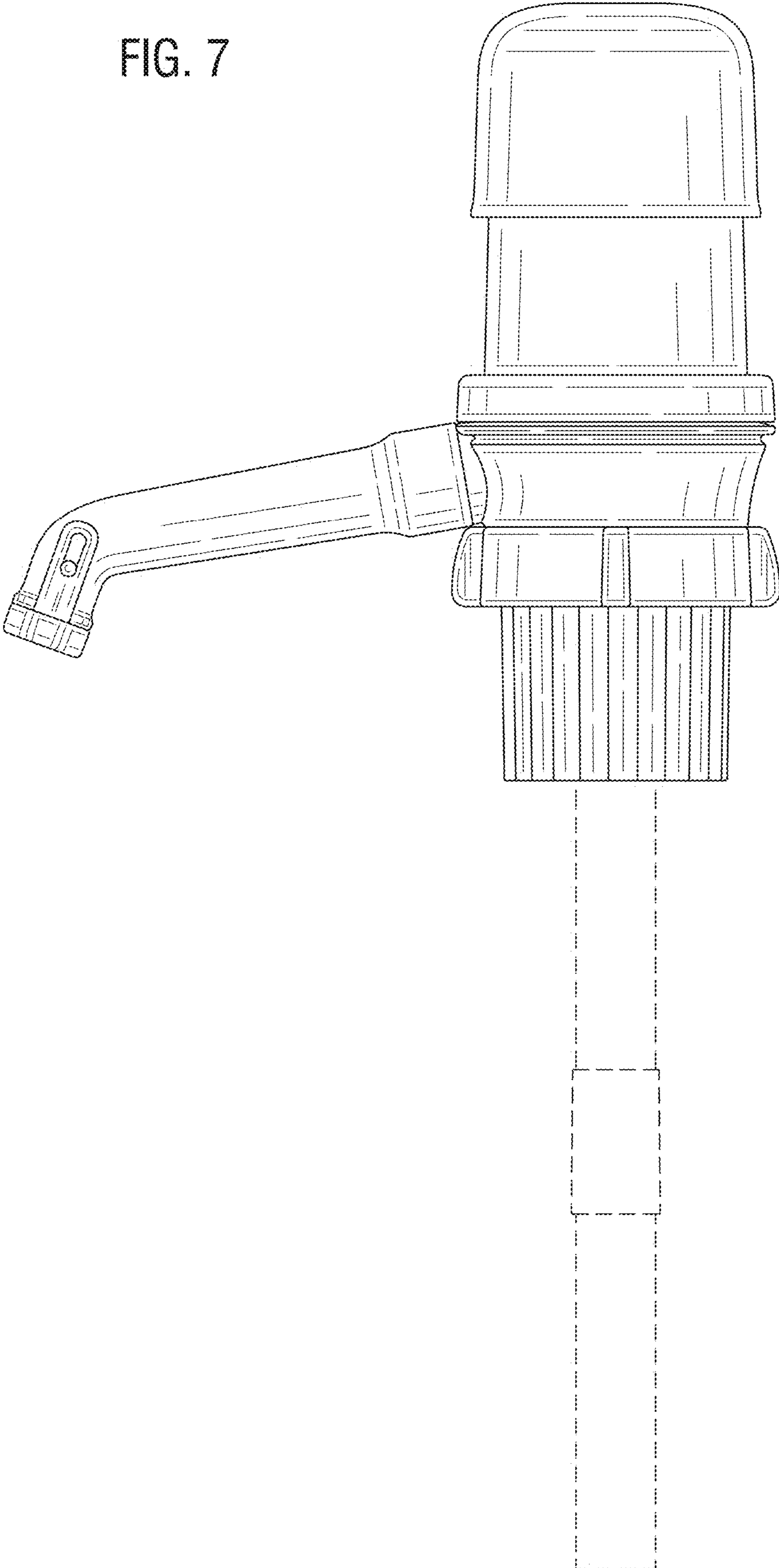


FIG. 8

