



US00D920383S

(12) **United States Design Patent** (10) **Patent No.:** **US D920,383 S**
Macco (45) **Date of Patent:** **** May 25, 2021**

(54) **VEHICLE OIL PAN DRAIN KEY**
(71) Applicant: **Scott J. Macco**, Sheboygan, WI (US)
(72) Inventor: **Scott J. Macco**, Sheboygan, WI (US)
(**) Term: **15 Years**
(21) Appl. No.: **29/680,499**
(22) Filed: **Feb. 15, 2019**
(51) **LOC (13) Cl.** **15-01**
(52) **U.S. Cl.**
USPC **D15/5**
(58) **Field of Classification Search**
USPC D15/1-5; D9/434, 435; D23/206, 213,
D23/248, 249; D24/121, 129, 231;
D99/99
CPC . F01M 11/00; F01M 11/0408; F01M 11/0458
See application file for complete search history.

5,655,280 A * 8/1997 McCommon F01M 11/0408
29/243.518
D430,293 S * 8/2000 Jansen D24/129
D503,725 S * 4/2005 Ensminger D15/5
D545,405 S * 6/2007 Nightlinger D23/260
D758,449 S * 6/2016 White D15/5
D854,050 S * 7/2019 Mitchell D15/5
(Continued)

OTHER PUBLICATIONS

Ronin Factory, Ronin Factory—Easy Oil Drain for 2015+ Ford F150, Ford Raptor & Ford Mustang, (Date first available Sep. 6, 2018), Amazon.com, URL:<<https://www.amazon.com/RONIN-FACTORY-Drain-Raptor-Trucks/dp/B07H56TP4F/>> (Year: 2018).*
(Continued)

Primary Examiner — Sheryl Lane
Assistant Examiner — Mark T. Philipps
(74) *Attorney, Agent, or Firm* — Leres Patent & Technology, LLC; Mandy L. Tran

(56) **References Cited**

U.S. PATENT DOCUMENTS

3,387,621 A * 6/1968 Schaff F01M 11/0408
137/322
3,677,369 A * 7/1972 Schramm F01M 11/0408
184/1.5
4,807,847 A * 2/1989 Martz F16K 1/38
137/327
4,940,209 A * 7/1990 Fish F01M 11/0408
123/196 R
5,048,578 A * 9/1991 Dorf F01M 11/0408
141/346
D328,903 S * 8/1992 Bonbright D15/5
D331,064 S * 11/1992 Wilson D15/5
5,169,122 A * 12/1992 Sunderland F16L 19/061
137/360
5,188,495 A * 2/1993 Jones, Jr. F16B 43/001
285/220
5,547,042 A * 8/1996 Platt F01M 11/0408
138/89

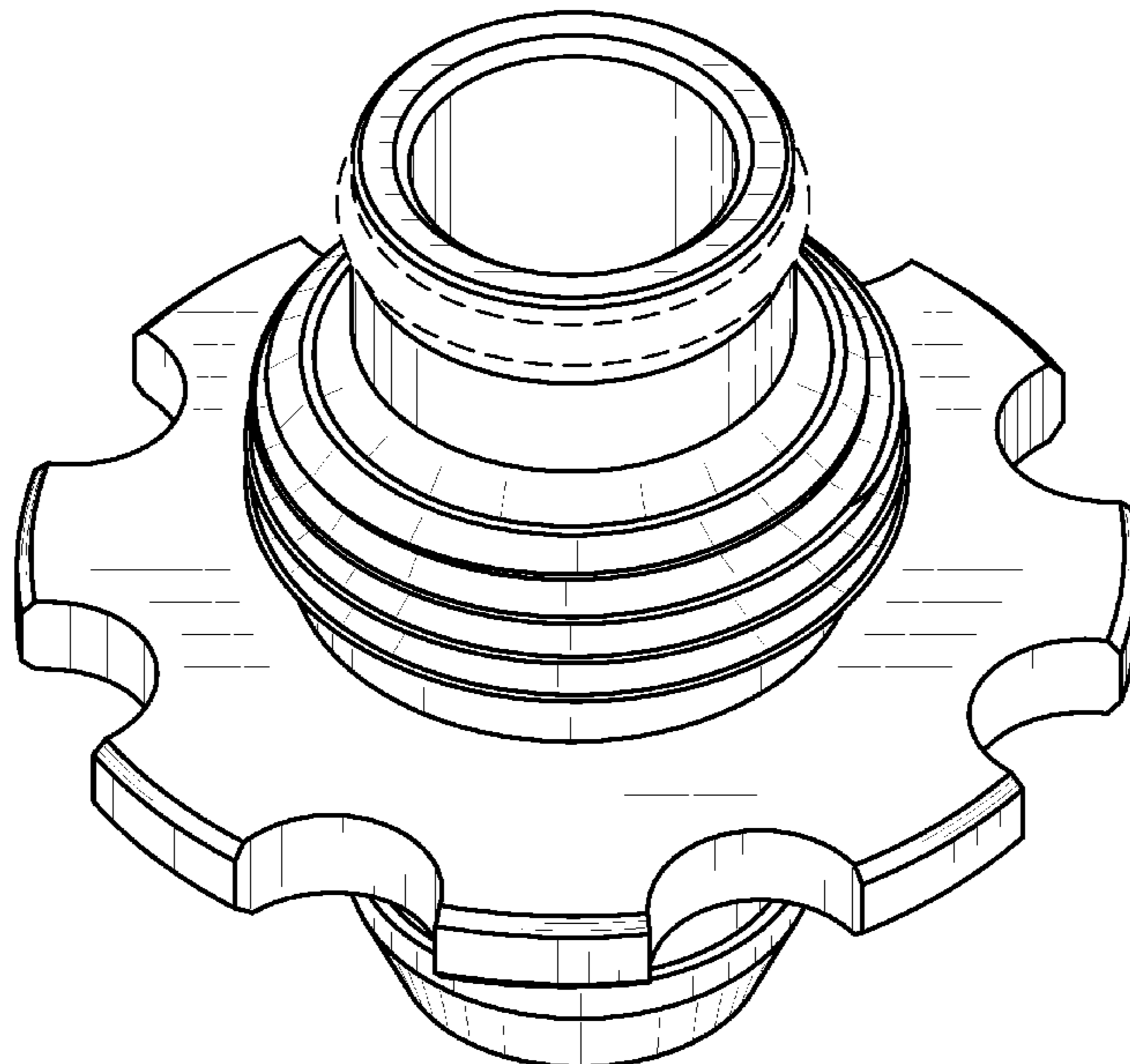
(57) **CLAIM**

I claim the ornamental design for a vehicle oil pan drain key, substantially as shown and described.

DESCRIPTION

FIG. 1 is a top perspective view of the invention.
FIG. 2 is a bottom plan view of the invention.
FIG. 3 is a top plan view of the invention.
FIG. 4 is a right side perspective view of the invention.
FIG. 5 is a front side perspective view of the invention.
FIG. 6 is a left side perspective view of the invention; and,
FIG. 7 is a rear side perspective view of the invention.
The broken lines represent portions of the article and form no part of the claimed design.

1 Claim, 4 Drawing Sheets



(56)

References Cited

U.S. PATENT DOCUMENTS

2001/0007355 A1* 7/2001 Coupal F16K 31/504
251/351
2002/0040732 A1* 4/2002 King, Jr. F16L 41/065
137/318
2004/0065376 A1* 4/2004 Kristofferson F01M 11/0408
138/89
2006/0054402 A1* 3/2006 Dorian B03C 1/286
184/1.5
2007/0290159 A1* 12/2007 Jang F01M 11/0408
251/344
2008/0128206 A1* 6/2008 Wilkins F01M 11/0408
184/1.5
2009/0057058 A1* 3/2009 Meyers F01M 11/0408
184/1.5
2009/0071568 A1* 3/2009 Meddock F01M 11/03
141/98

2011/0011865 A1* 1/2011 Cook F01M 11/0408
220/288
2016/0252191 A1* 9/2016 Dillon F16K 27/067
137/1
2017/0088319 A1* 3/2017 Gricourt B65D 47/263
2018/0010494 A1* 1/2018 Cohen F01M 11/0004
2018/0045093 A1* 2/2018 De Souza F16B 35/041
2018/0066551 A1* 3/2018 Weber F01M 11/0458
2018/0073625 A1* 3/2018 Miyazono F16N 31/00
2018/0156084 A1* 6/2018 Ito F16B 33/006
2019/0186313 A1* 6/2019 Lee F01M 11/0408
2019/0264601 A1* 8/2019 Floyd F01P 11/0276

OTHER PUBLICATIONS

Ronin Factory , Ronin Factory (@roninfactory) • Instagram photos and videos, (posted Mar. 11, 2019), Twitter.com, URL:<<https://www.instagram.com/p/Bu4mFI5jQXd/>> (Year: 2019).*

* cited by examiner

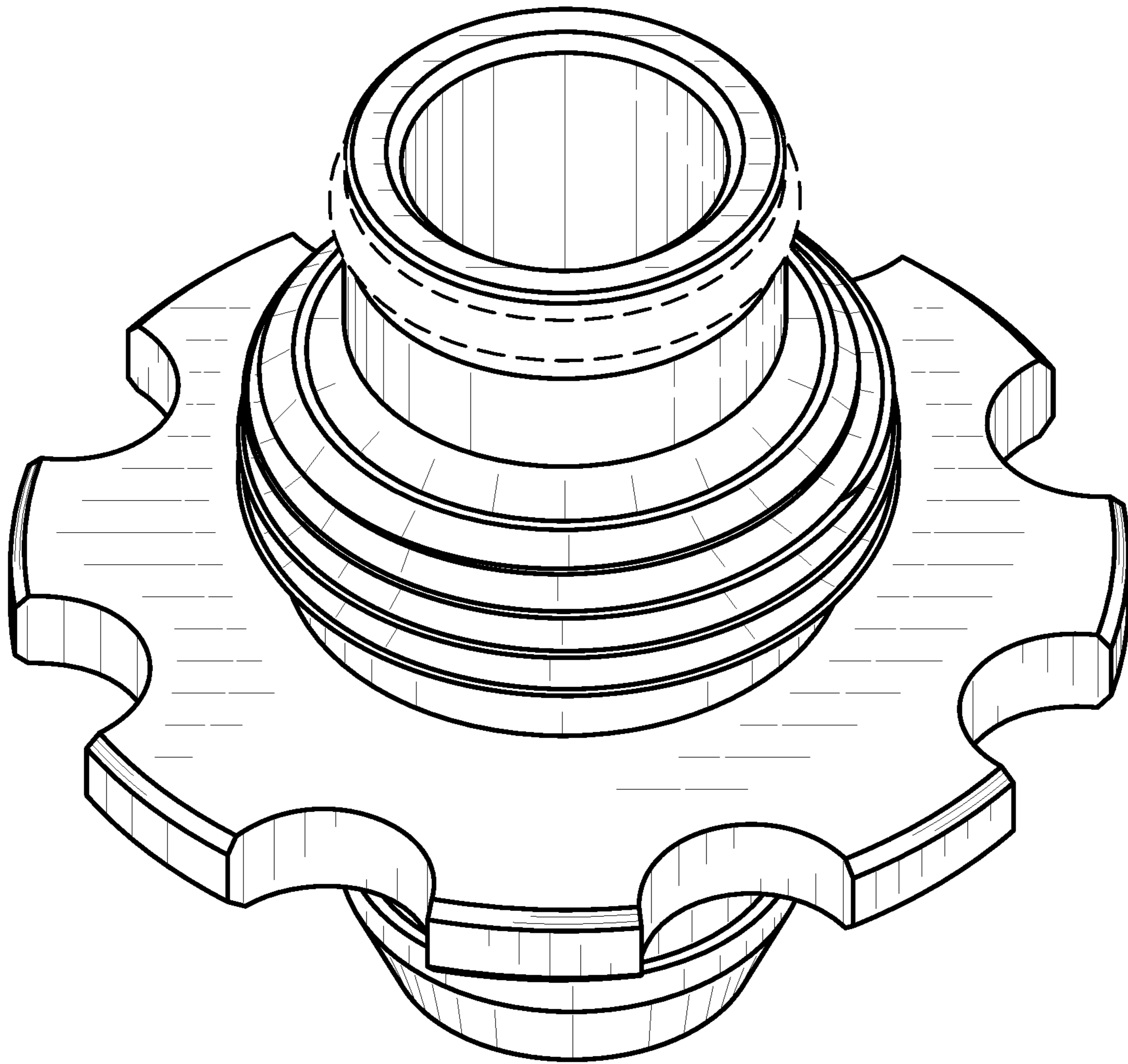


FIG. 1

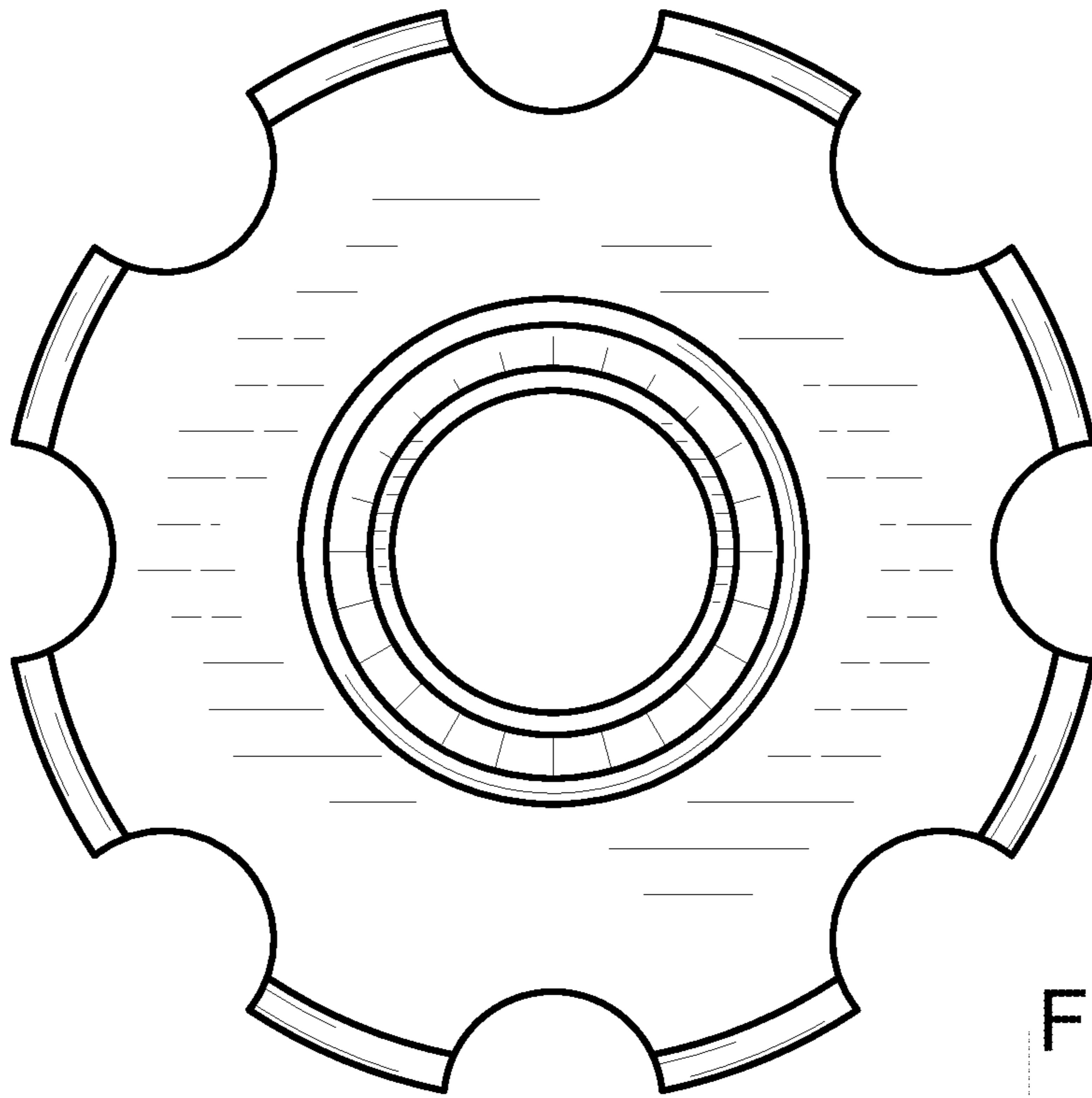


FIG. 2

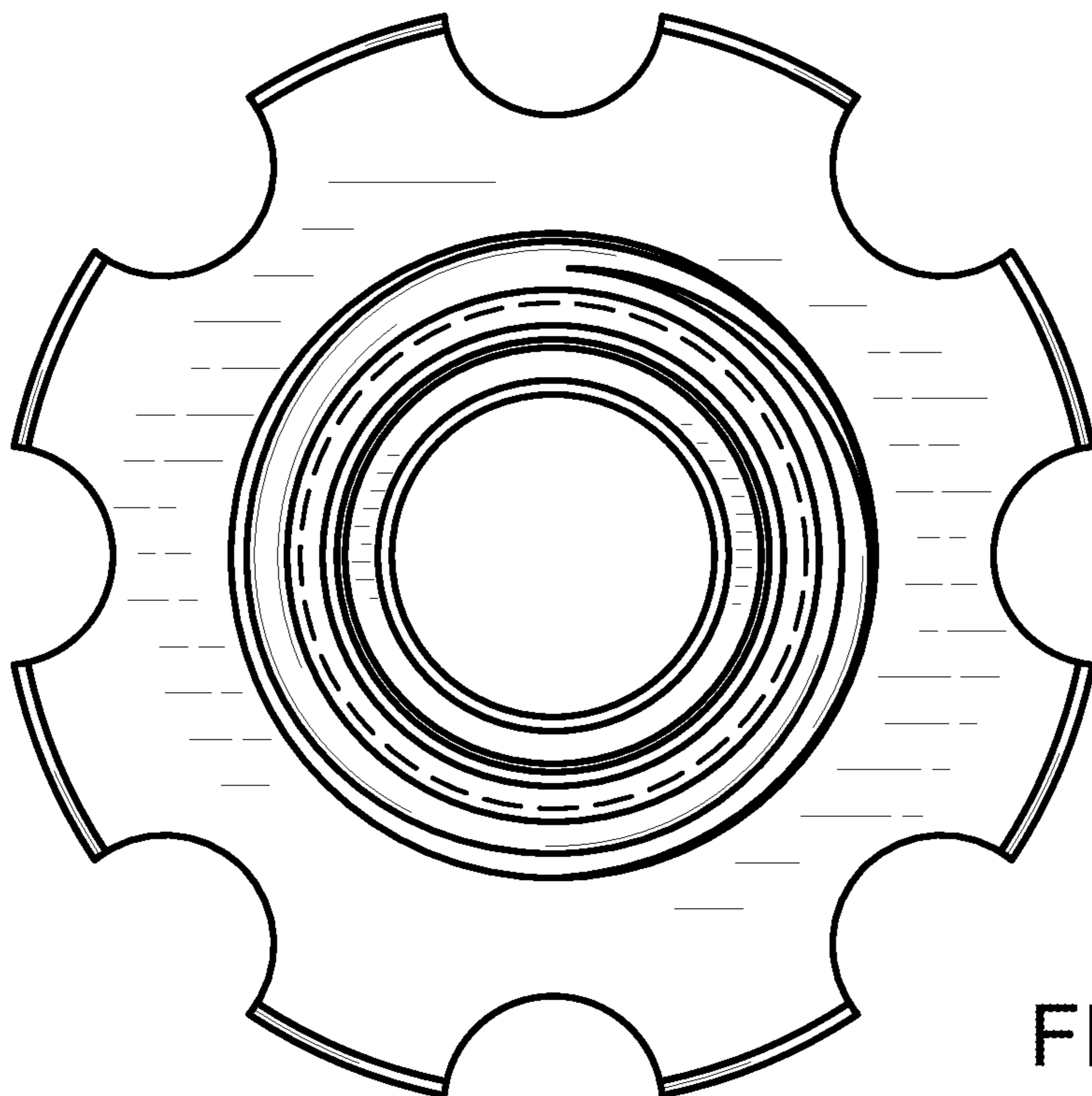


FIG. 3

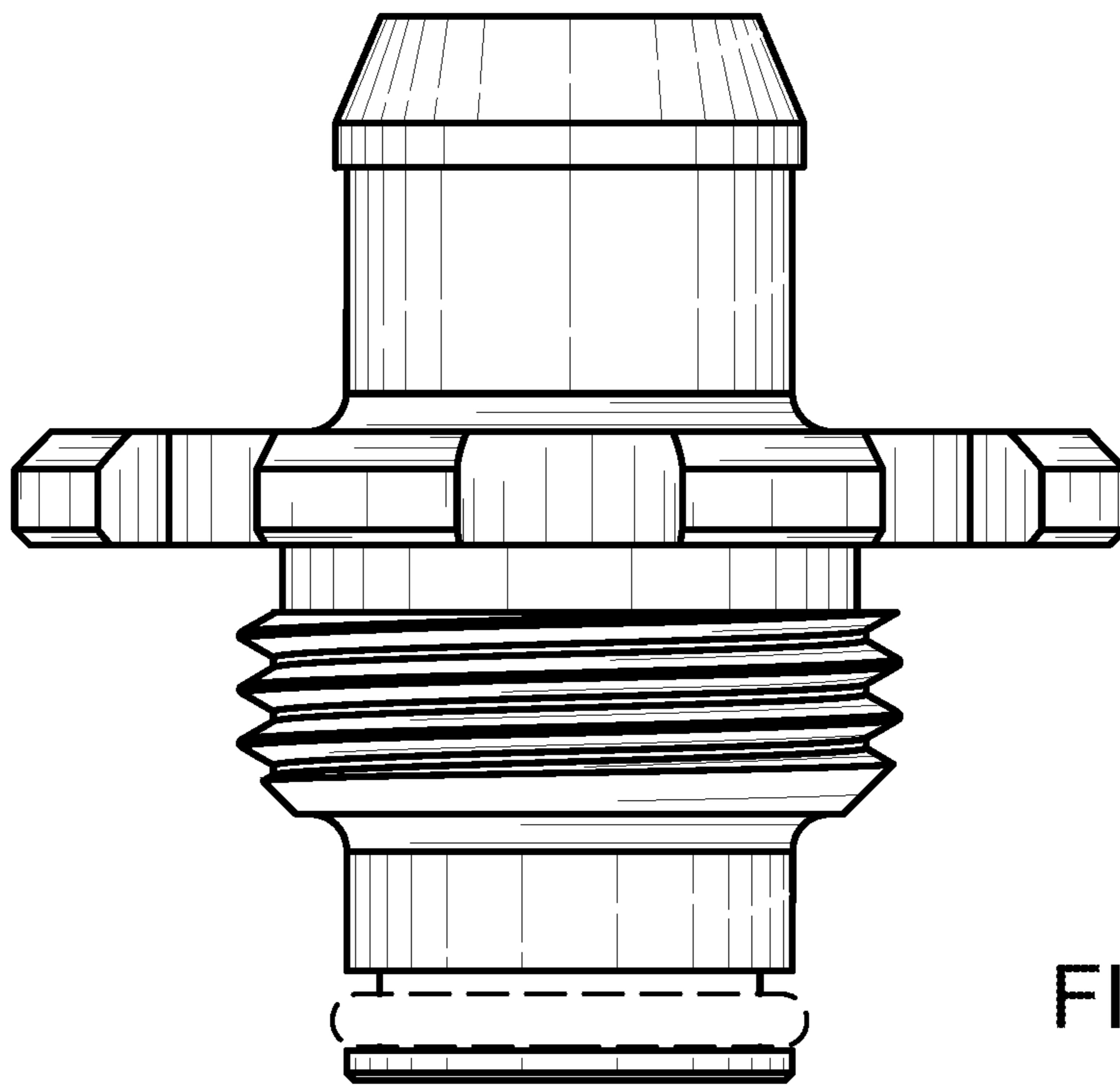


FIG. 4

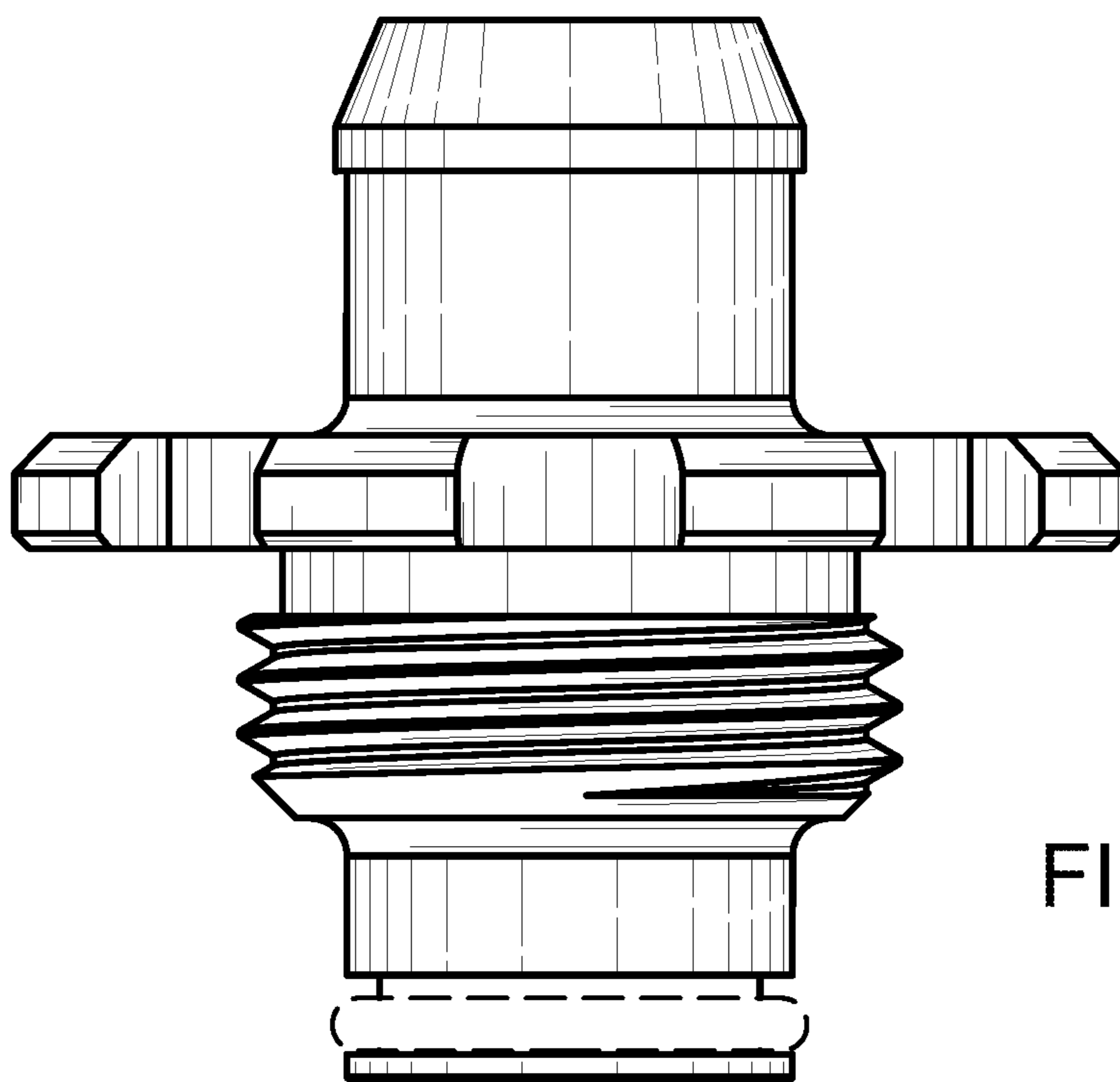


FIG. 5

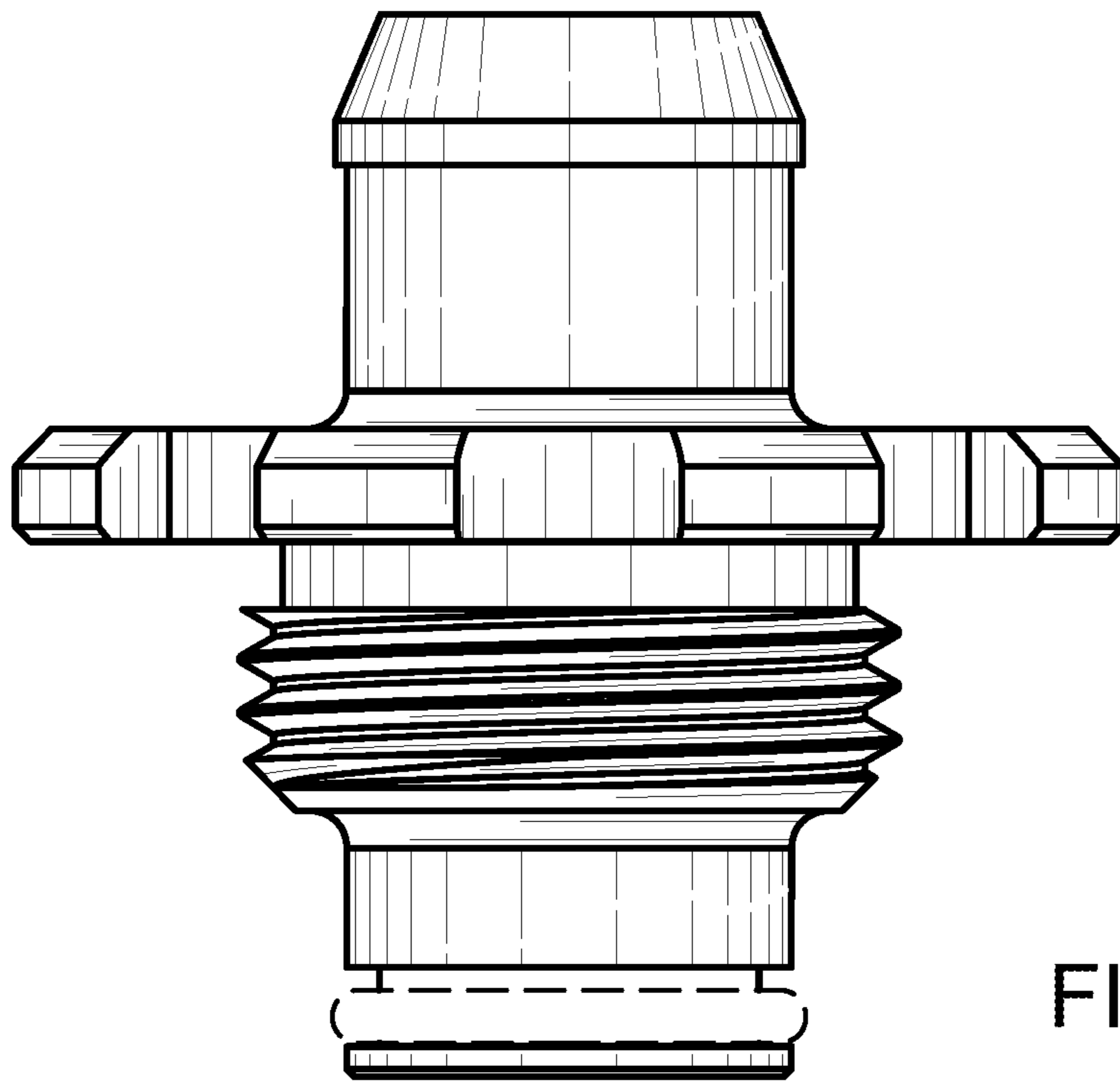


FIG. 6

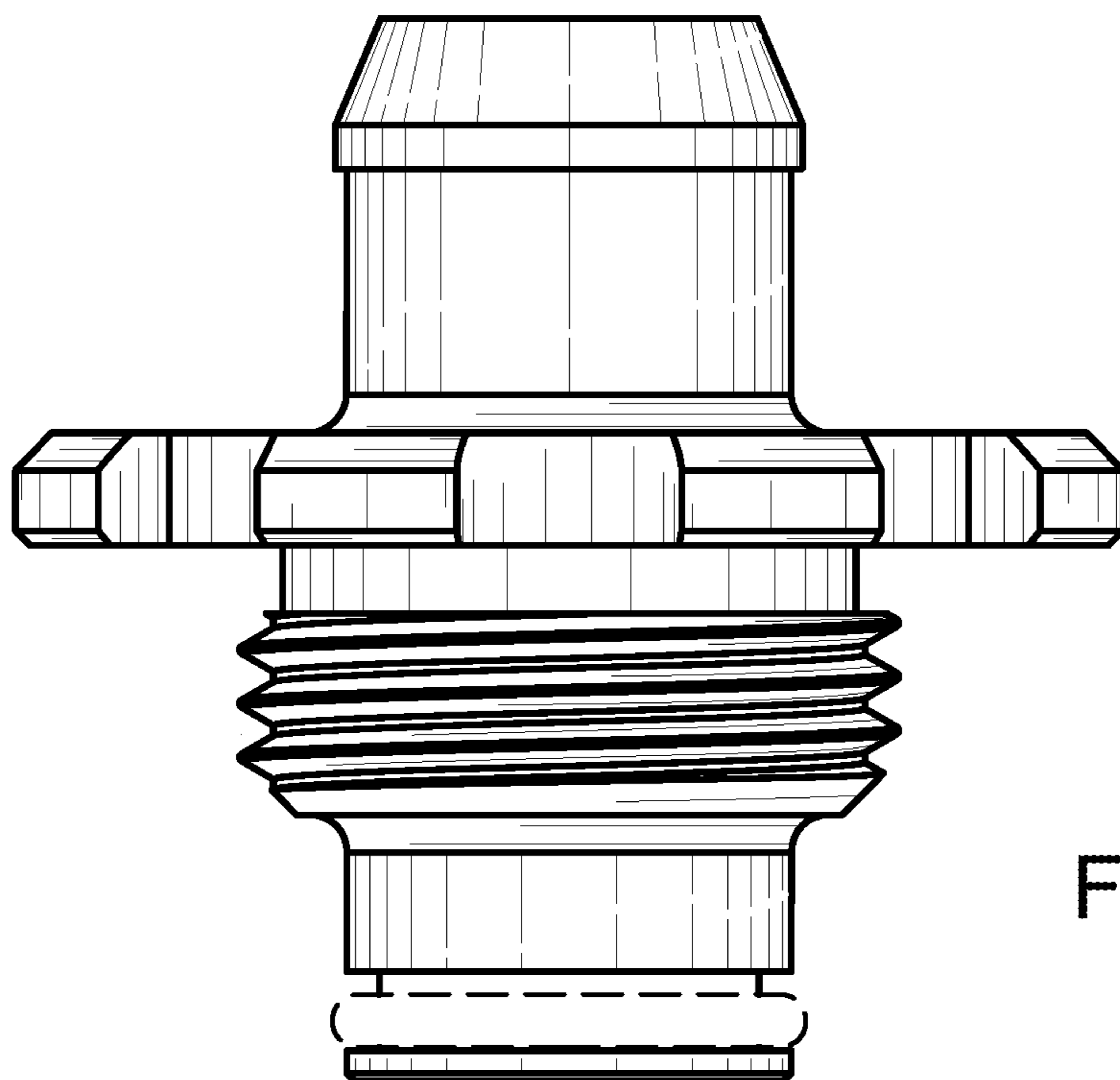


FIG. 7