



US00D920382S

(12) **United States Design Patent** (10) **Patent No.:** **US D920,382 S**  
**Tafe** (45) **Date of Patent:** **\*\* May 25, 2021**

(54) **INTERCOOLER FOR AUTOMOTIVE APPLICATIONS**

FOREIGN PATENT DOCUMENTS

(71) Applicant: **RESOURCE INTERNATIONAL INC.**, New Castle, DE (US)

DE 102009036740 A1 \* 2/2011 ..... F02B 29/0456  
DE 102010012028 A1 \* 9/2011 ..... F02B 29/0437

(Continued)

(72) Inventor: **Dan Tafe**, Newark, DE (US)

*Primary Examiner* — Ania Aman

(73) Assignee: **RESOURCE INTERNATIONAL INC.**, New Castle, DE (US)

(74) *Attorney, Agent, or Firm* — Condo Roccia Koptiw LLP

(\*\*) Term: **15 Years**

(57) **CLAIM**

(21) Appl. No.: **29/665,988**

The ornamental design of an intercooler for automotive applications, as shown and described.

(22) Filed: **Oct. 9, 2018**

(51) **LOC (13) Cl.** ..... **15-01**

(52) **U.S. Cl.**  
USPC ..... **D15/5**

**DESCRIPTION**

(58) **Field of Classification Search**  
USPC ..... D15/1-5; D23/323  
CPC ..... F02B 29/0425; F02B 29/0412; F02B 29/0437; F02B 29/0443; F02B 29/045; F28D 7/0066; F28D 1/0408; F28F 1/04; F28F 1/12; F28F 9/02; F28F 21/02; B60H 1/14; B60H 1/3211; B60H 1/00271; B60H 1/3205; B60H 1/00342; F01P 11/08; B21D 53/08; F02M 26/27; F02M 26/31; F02M 35/10268

FIG. 1 is a front view of an intercooler for automotive applications showing our new design in accordance with one embodiment;  
FIG. 2 is a back view thereof;  
FIG. 3 is a left view thereof;  
FIG. 4 is a right view thereof;  
FIG. 5 is a top view thereof;  
FIG. 6 is bottom view thereof;  
FIG. 7 is a perspective view thereof;  
FIG. 8 is a front view of an intercooler for automotive applications showing our new design in accordance with another embodiment;  
FIG. 9 is a back view thereof;  
FIG. 10 is a left view thereof;  
FIG. 11 is a right view thereof;  
FIG. 12 is a top view thereof;  
FIG. 13 is bottom view thereof; and,  
FIG. 14 is a perspective view thereof.

See application file for complete search history.

The broken lines in the drawing figures show portions of the intercooler which form no part of the claimed design.  
The shade lines in the figures show contour and not surface ornamentation.

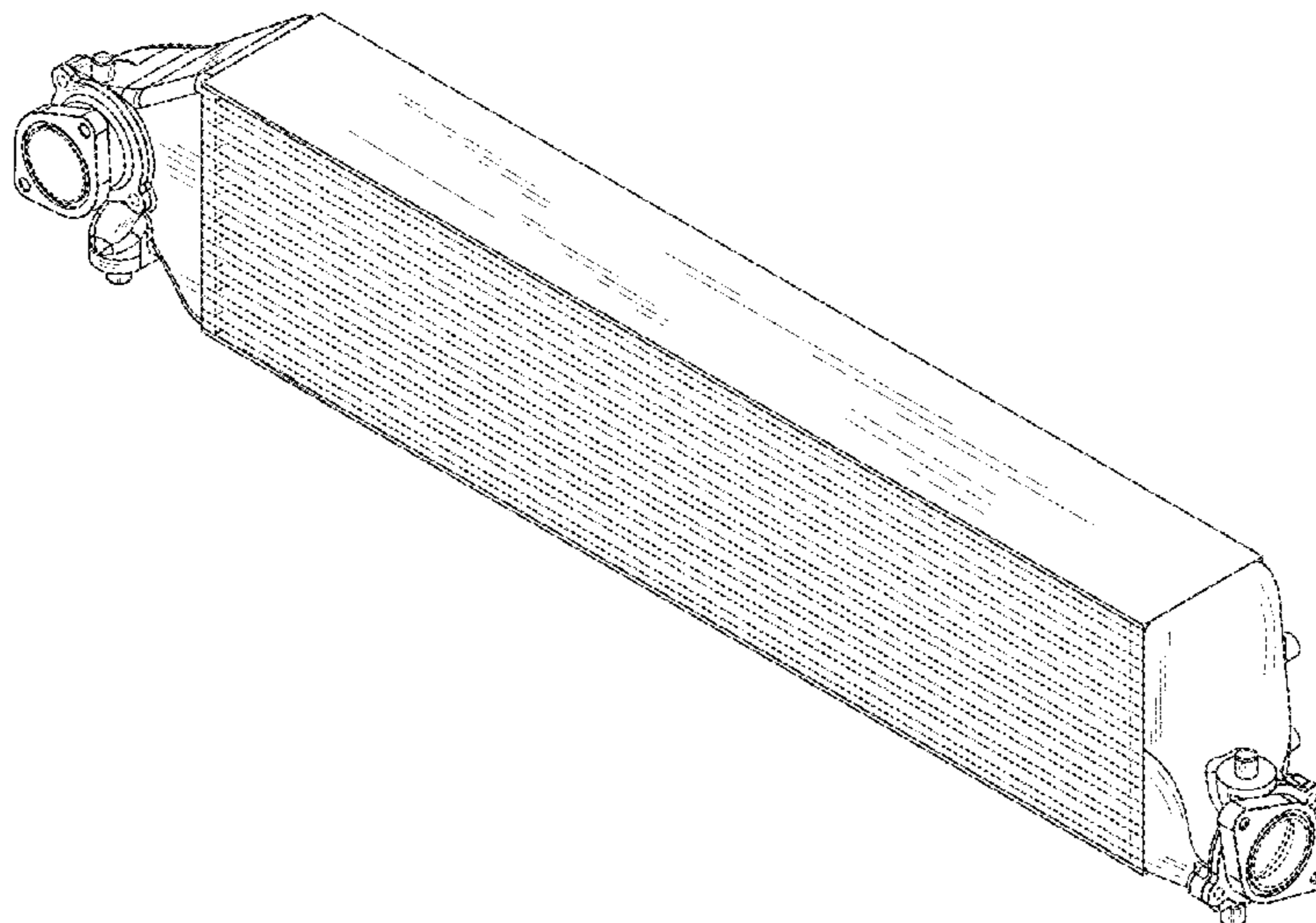
(56) **References Cited**

U.S. PATENT DOCUMENTS

D534,185 S \* 12/2006 Chan ..... D15/5  
D637,207 S \* 5/2011 Alberti ..... D15/5  
9,482,146 B1 \* 11/2016 Ray ..... F02B 37/12  
D808,436 S \* 1/2018 Hamburger ..... D15/5  
D811,438 S \* 2/2018 Hamburger ..... D15/5  
9,890,692 B1 \* 2/2018 Turnage ..... F02B 29/045  
10,436,083 B1 \* 10/2019 Au ..... F01P 11/08  
2002/0023734 A1 \* 2/2002 Wagner ..... F28D 1/05366  
165/81

(Continued)

**1 Claim, 14 Drawing Sheets**



(56)

**References Cited**

U.S. PATENT DOCUMENTS

2008/0121384 A1\* 5/2008 Tseng ..... F28D 1/05375  
165/149  
2010/0032149 A1\* 2/2010 Roll ..... F28D 1/05366  
165/175  
2013/0146267 A1\* 6/2013 Garret ..... F28D 7/1684  
165/175  
2016/0237961 A1\* 8/2016 Callaway, III ... F02M 35/10157  
2017/0122186 A1\* 5/2017 Park ..... F02B 29/0406  
2019/0078501 A1\* 3/2019 Lee ..... F02B 29/0443  
2019/0292979 A1\* 9/2019 Hlavac ..... F28F 1/04

FOREIGN PATENT DOCUMENTS

DE 102011080204 A1\* 2/2013 ..... F02B 29/04  
JP 2014109409 A \* 6/2014

\* cited by examiner

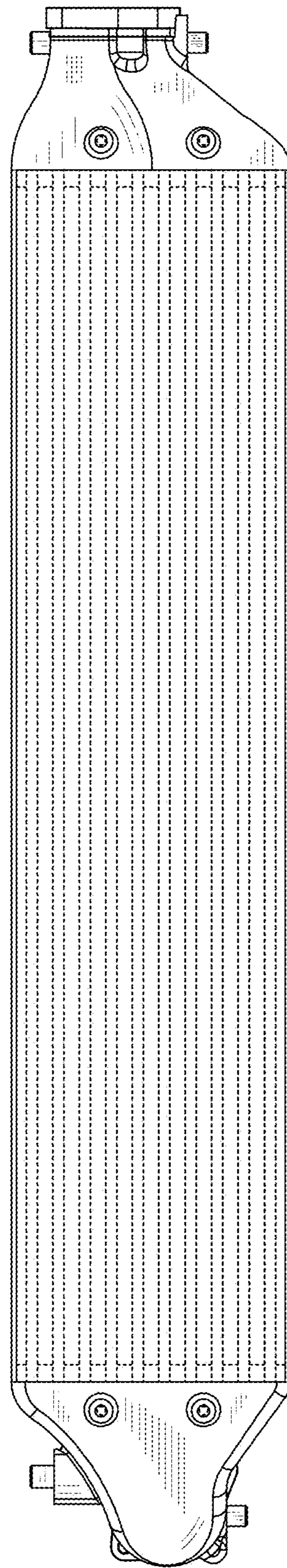


FIGURE 1

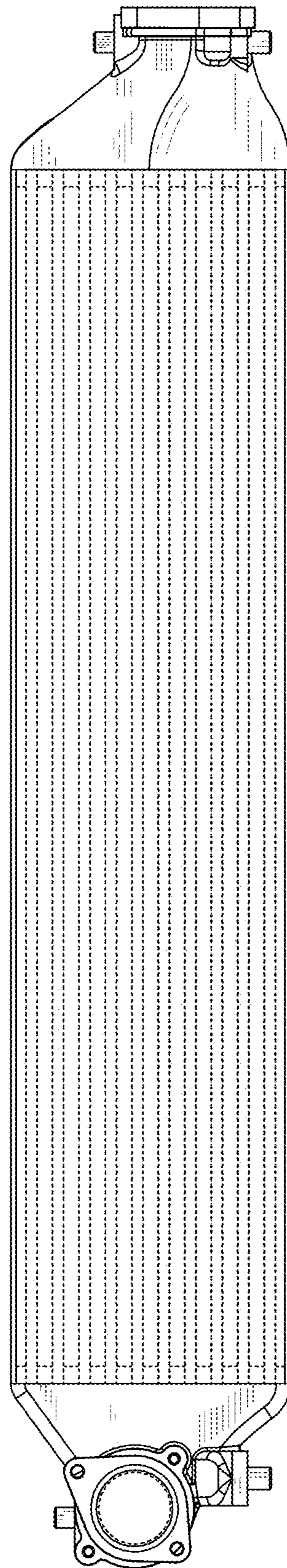


FIGURE 2

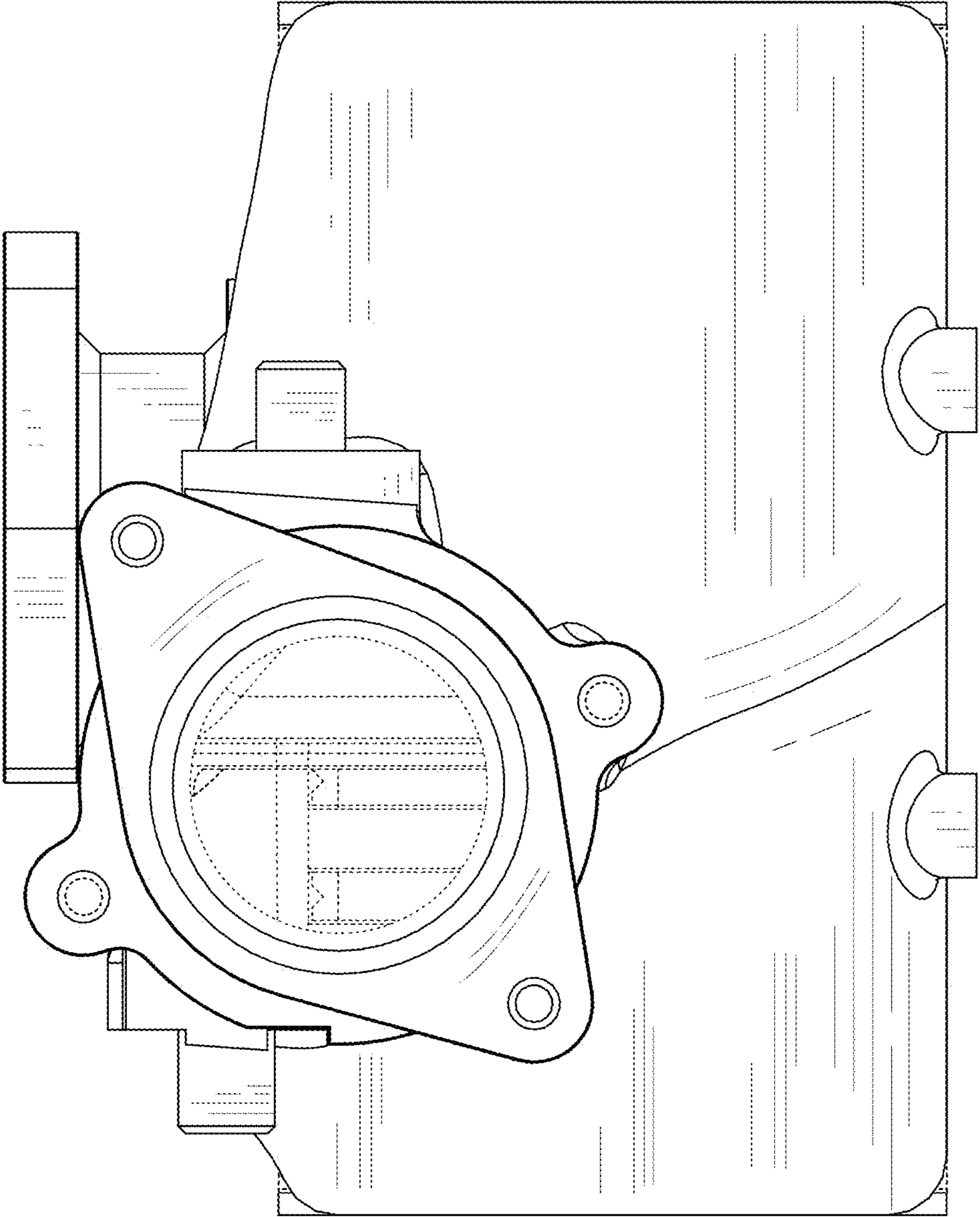


FIGURE 3

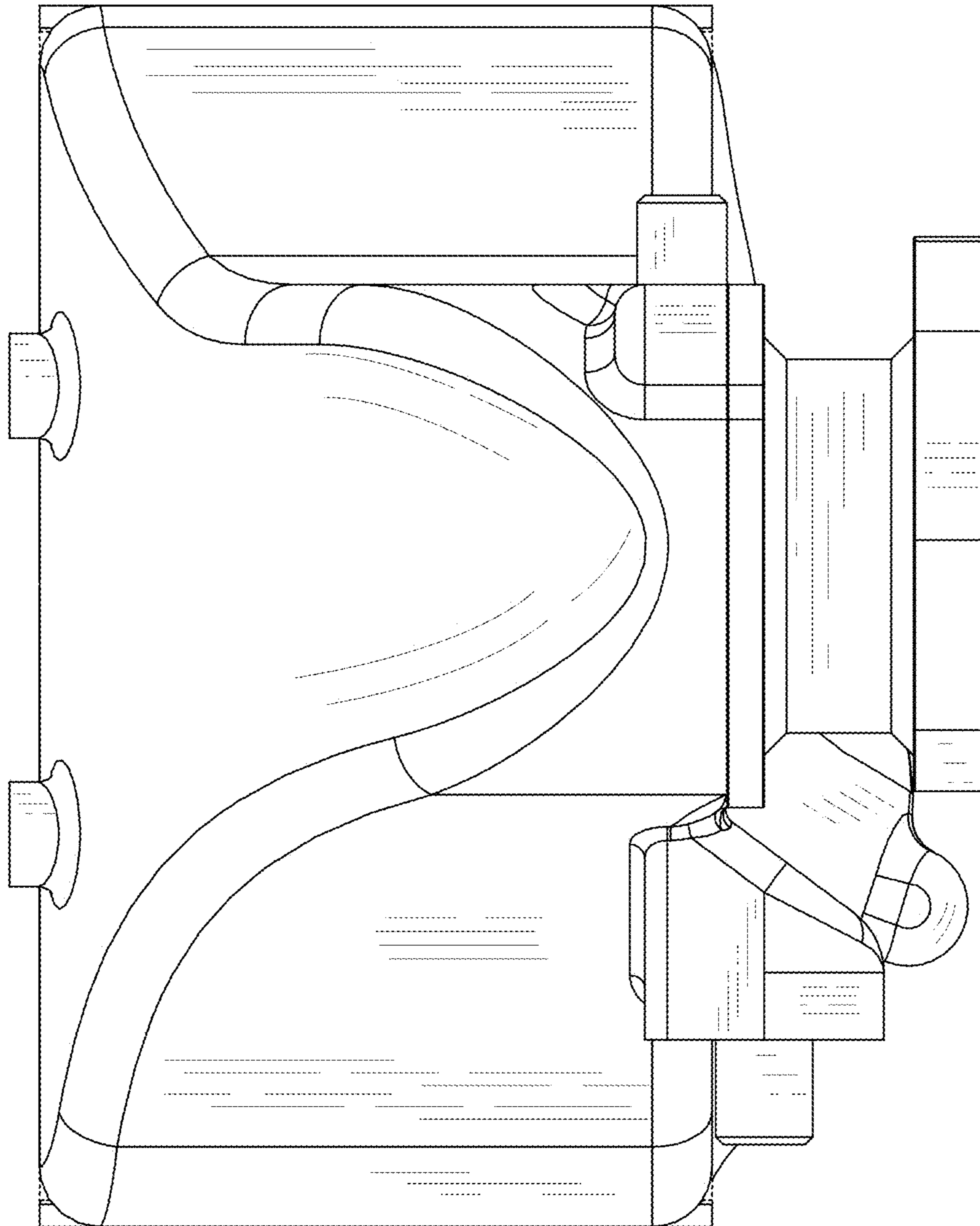


FIGURE 4

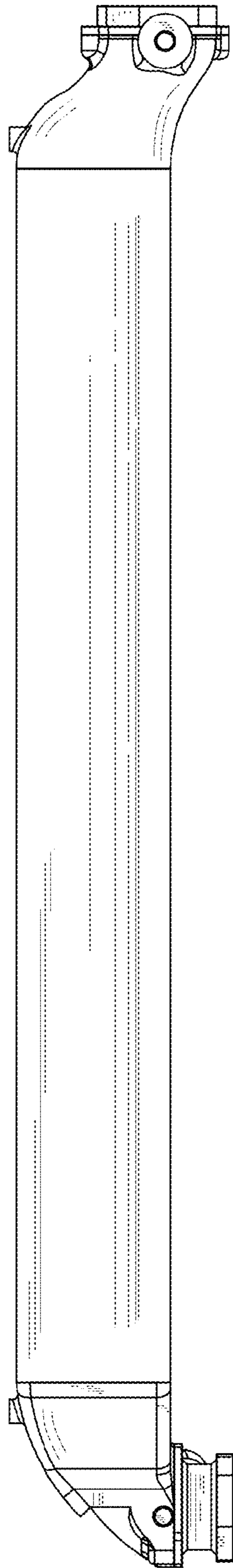


FIGURE 5

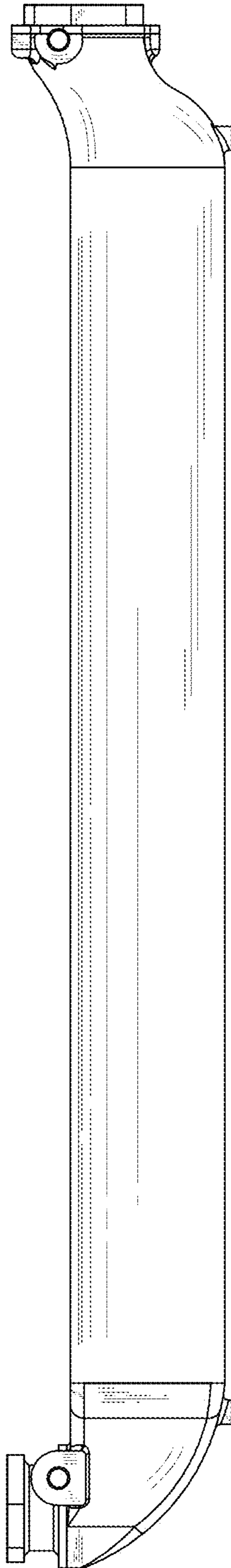


FIGURE 6



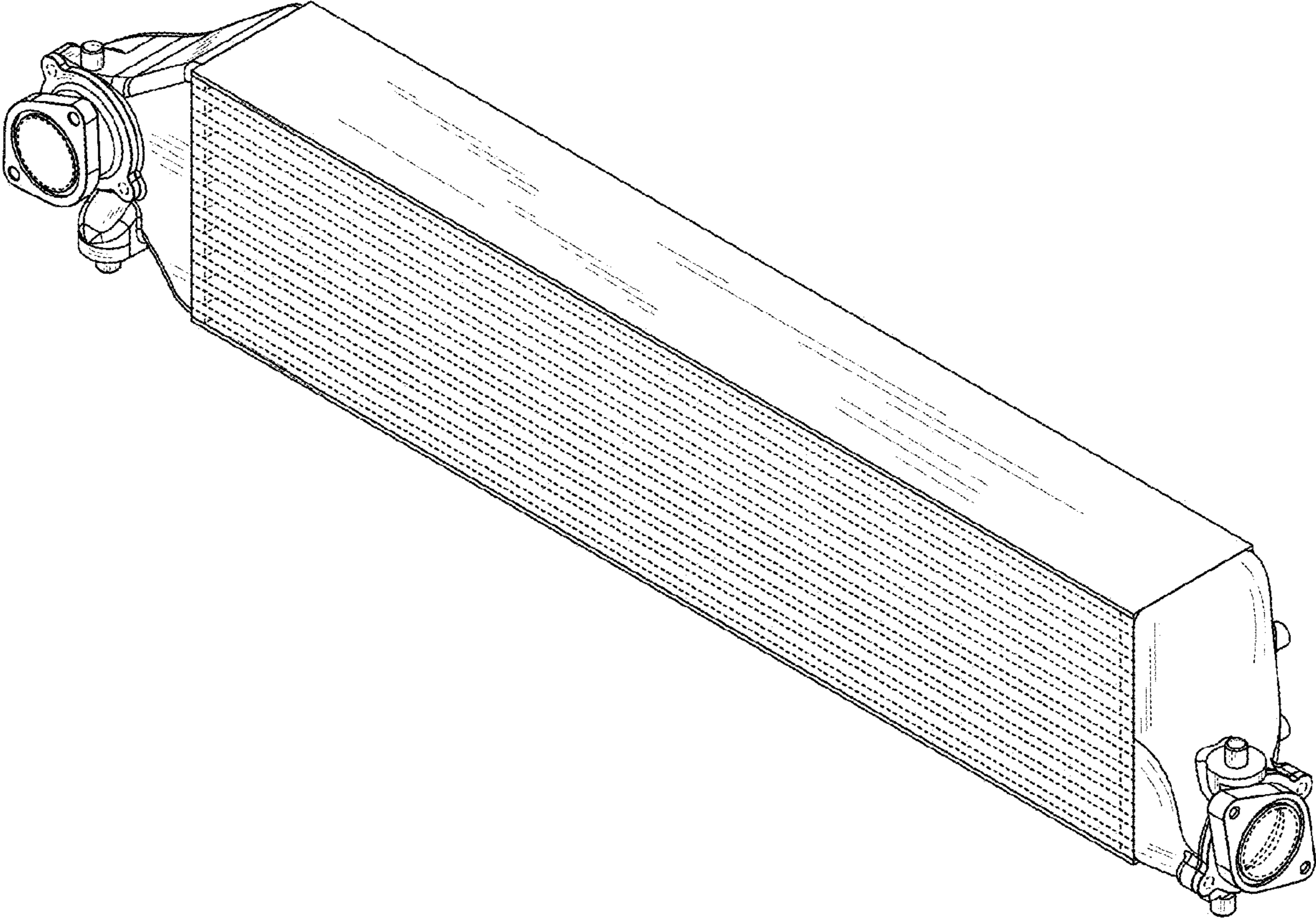


FIGURE 7

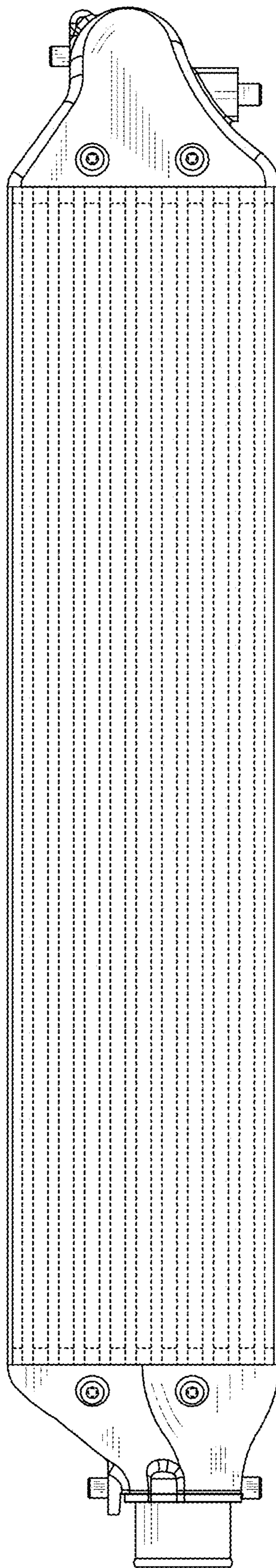


FIGURE 8

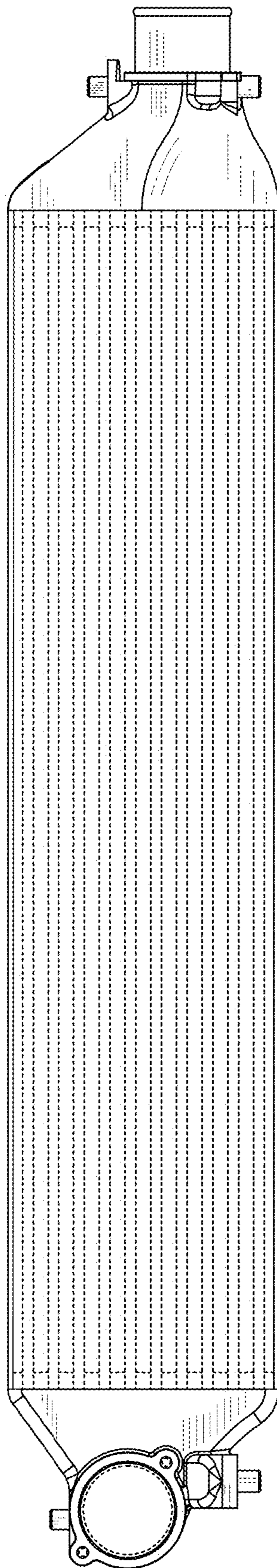


FIGURE 9

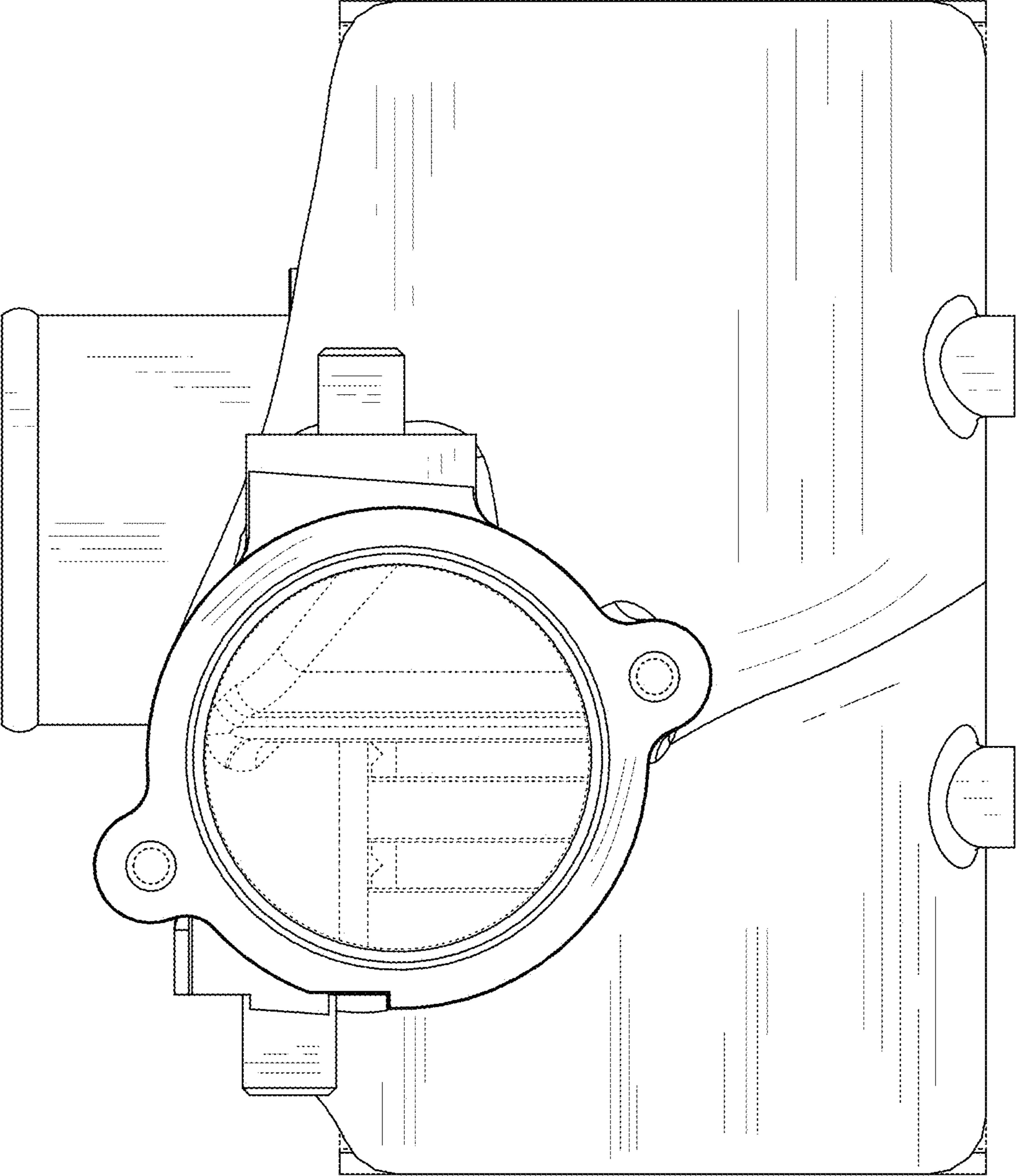


FIGURE 10

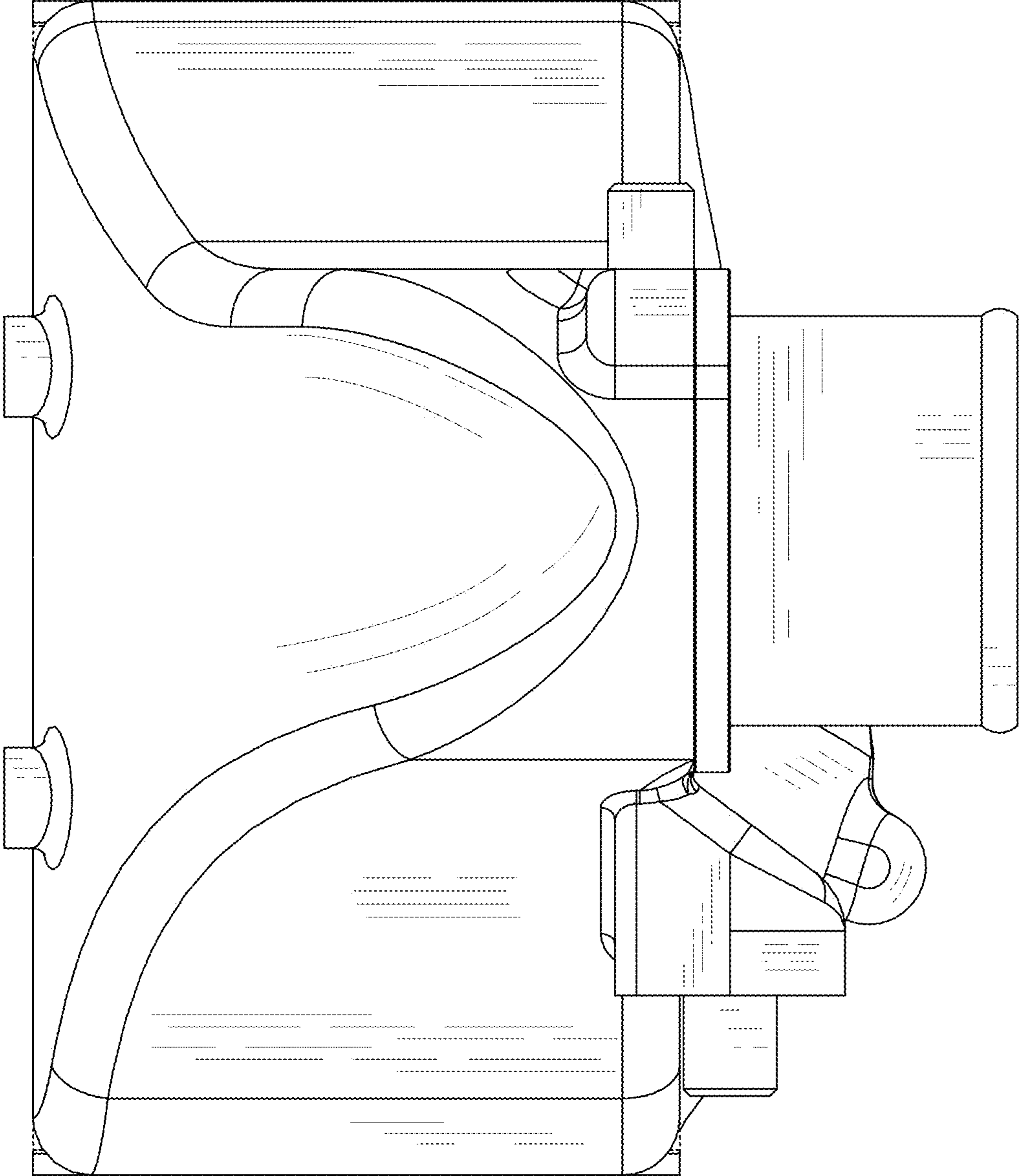


FIGURE 11

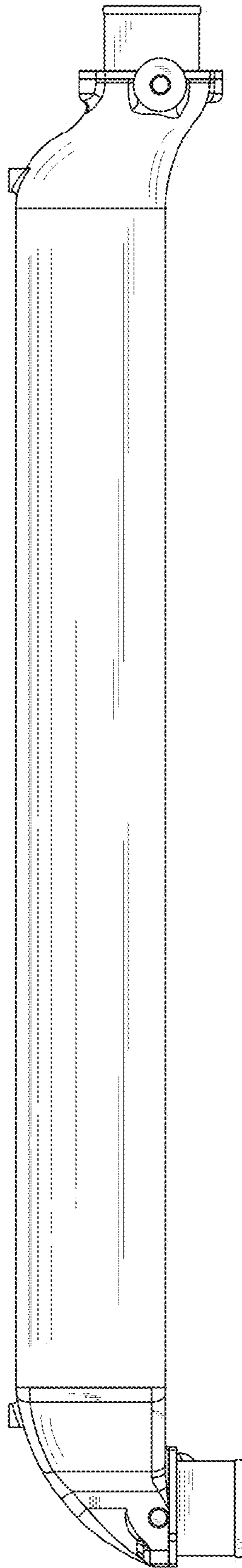


FIGURE 12

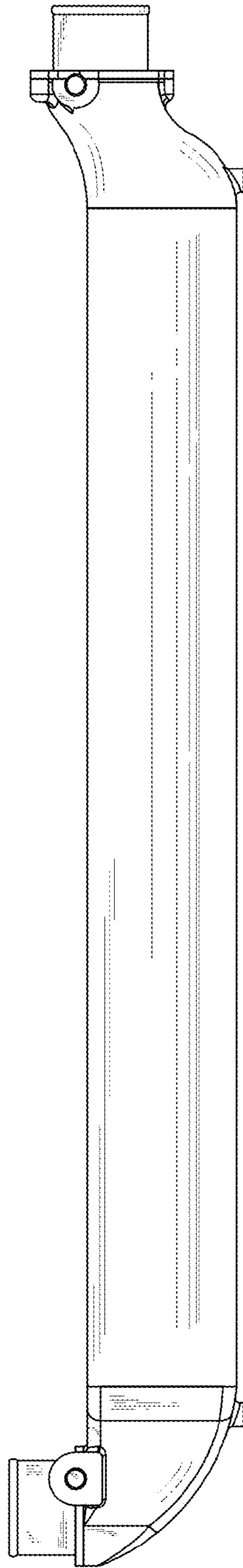


FIGURE 13

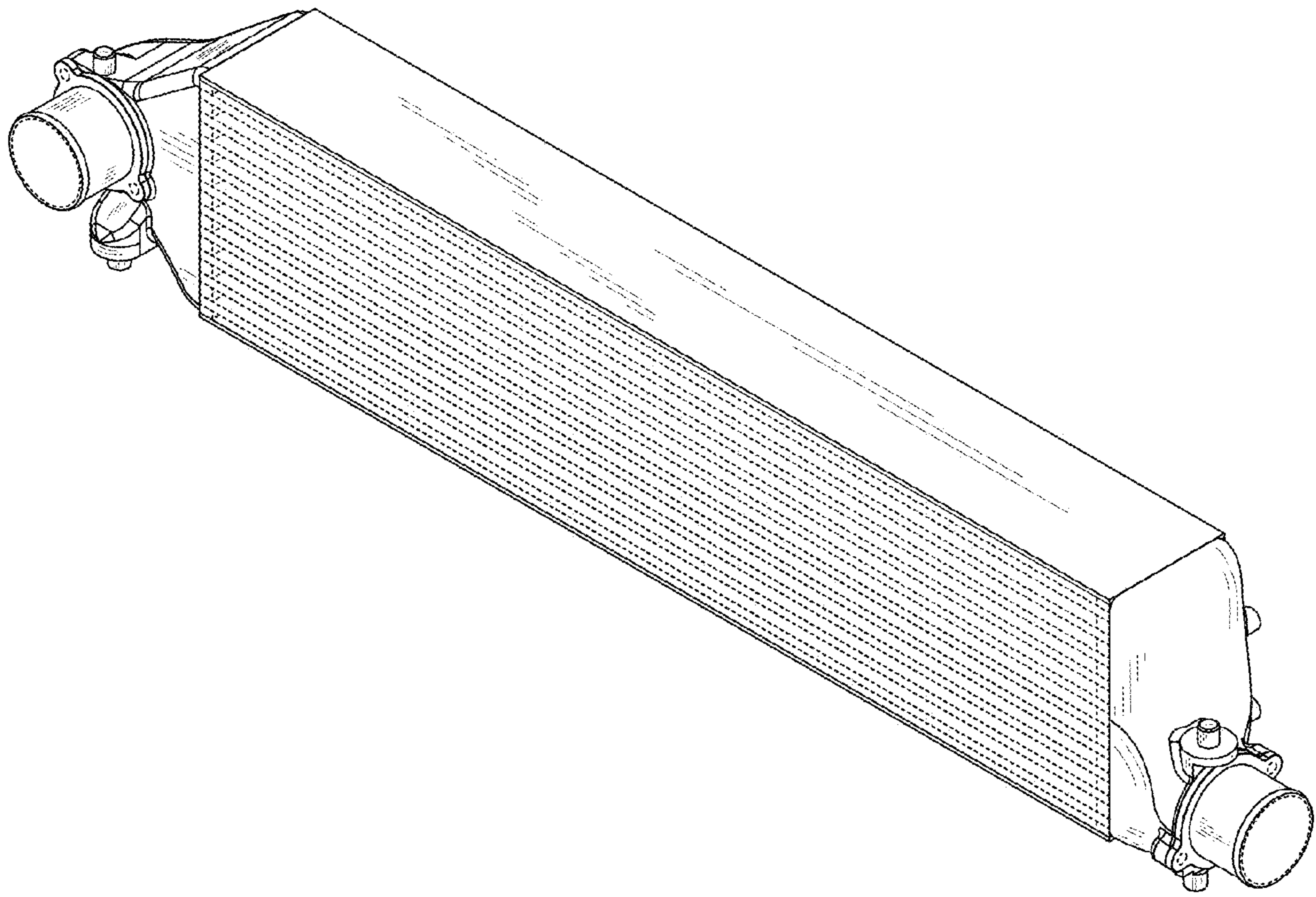


FIGURE 14