

US00D920379S

(12) **United States Design Patent** (10) **Patent No.:** **US D920,379 S**
Lee et al. (45) **Date of Patent:** **** May 25, 2021**

(54) **DISPLAY SCREEN OR PORTION THEREOF WITH GRAPHICAL USER INTERFACE**

(56) **References Cited**

(71) Applicant: **Samsung Electronics Co., Ltd.**, Suwon-si (KR)

U.S. PATENT DOCUMENTS
6,540,260 B1 4/2003 Tan
D481,736 S 11/2003 Ombao

(72) Inventors: **Heon Woo Lee**, Seoul (KR); **Miyeon Park**, Seongnam-si (KR); **Yongman Park**, Yongin-si (KR); **Jakyoung Lee**, Seoul (KR); **Hyerim Kwak**, Seoul (KR); **Soyoung Lee**, Seoul (KR)

(Continued)

FOREIGN PATENT DOCUMENTS

EM 001712977-0003 6/2010
JP D1530198 8/2015

(73) Assignee: **SAMSUNG ELECTRONICS CO., LTD.**, Suwon-si (KR)

OTHER PUBLICATIONS

(**) Term: **15 Years**

YouTube | Stratus Rewards Visa, published on Aug. 9, 2016 by Bank and Cards, © 2021 YouTube, LLC, [online], [site visited Jan. 16, 2021]. Available from Internet, [frames 0:02-0:22] <URL: <https://www.youtube.com/watch?v=blrxbqZYZBI/>>.*

(21) Appl. No.: **29/759,829**

(22) Filed: **Nov. 25, 2020**

(Continued)

Related U.S. Application Data

Primary Examiner — Cary M Robinson

(60) Division of application No. 29/736,839, filed on Jun. 3, 2020, which is a division of application No. (Continued)

(74) *Attorney, Agent, or Firm* — McAndrews Held & Malloy, Ltd.

(30) **Foreign Application Priority Data**

(57) **CLAIM**

Nov. 18, 2015 (KR) 30-2015-0058205

(51) **LOC (13) Cl.** **14-04**

(52) **U.S. Cl.**
USPC **D14/492**

(58) **Field of Classification Search**
USPC 345/1.1, 1.2, 2.1–2.3, 3.1, 902; 715/763, 715/810, 836, 837, 846, 847, 977; D14/485–495; D20/11, 22, 27
CPC B60K 37/00; G06F 3/048–04897; G06F 3/013; G06F 3/017; G06F 3/165; G06F 3/197; G06F 2203/04807; G06F 17/212; G06T 13/80; G06T 15/02; G06Q 10/10; H04M 1/6075; H04M 3/567; H04M 1/2477; H04M 1/26; H04M 1/274582; H04L

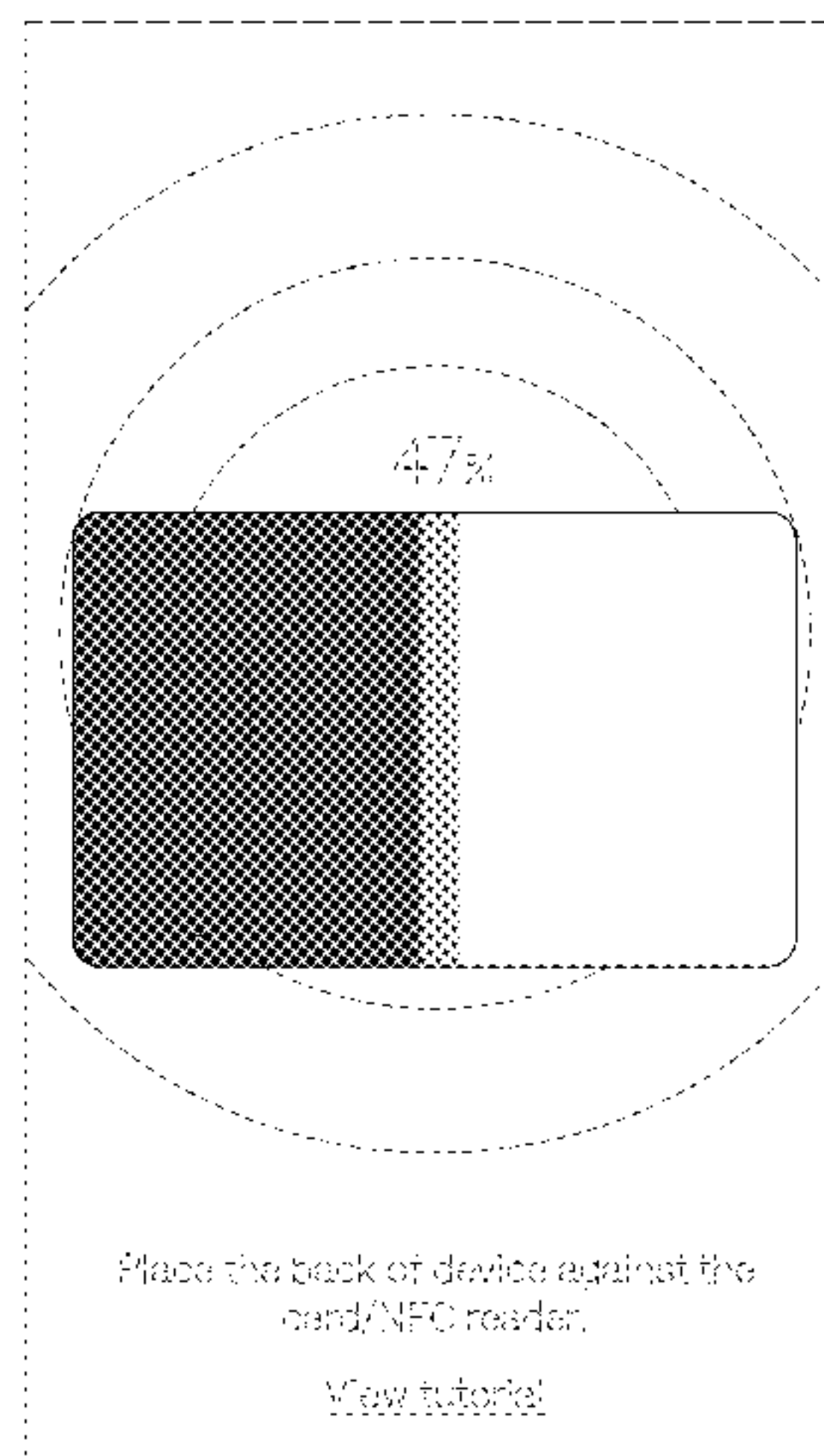
The ornamental design for a display screen or portion thereof with graphical user interface, as shown and described.

DESCRIPTION

The sole FIGURE is a front view of a display screen or portion thereof with graphical user interface showing our new design. The broken lines at the outer perimeter of the FIGURE depict a display screen or portion thereof and form no part of the claimed design. The remaining broken lines in the FIGURE depict portions of the graphical user interface that form no part of the claimed design.

(Continued)

1 Claim, 1 Drawing Sheet



Related U.S. Application Data

29/721,297, filed on Jan. 20, 2020, now Pat. No. Des. 888,764, which is a continuation of application No. 29/698,312, filed on Jul. 16, 2019, now Pat. No. Des. 873,300, which is a continuation of application No. 29/679,877, filed on Feb. 11, 2019, now Pat. No. Des. 858,576, which is a continuation of application No. 29/628,115, filed on Dec. 1, 2017, now Pat. No. Des. 844,668, which is a division of application No. 29/608,638, filed on Jun. 23, 2017, now Pat. No. Des. 807,398, which is a division of application No. 29/564,971, filed on May 17, 2016, now Pat. No. Des. 794,048.

(58) **Field of Classification Search**

CPC . 12/581; H04L 12/813; H04L 12/1813; H04N 7/16

See application file for complete search history.

(56)

References Cited

U.S. PATENT DOCUMENTS

D617,804 S 6/2010 Hirsch
 D627,360 S 11/2010 Aarseth
 D644,243 S 8/2011 Matas
 D669,497 S 10/2012 Lee
 D690,717 S 10/2013 Thomsen
 D703,692 S 4/2014 Phelan
 D738,380 S 9/2015 Nielsen
 D739,872 S 9/2015 Bang
 D744,496 S 12/2015 Seo
 D746,857 S 1/2016 Rayit
 D746,866 S 1/2016 Memoria
 D750,644 S 3/2016 Bhutani
 D752,061 S 3/2016 Ahn
 D753,151 S 4/2016 Lee
 D753,687 S * 4/2016 Anzures D14/486
 D754,713 S 4/2016 Zhang
 D756,401 S 5/2016 Soldner
 D757,056 S * 5/2016 Ryan D14/486
 D757,746 S 5/2016 Lee
 D759,061 S 6/2016 Sahoo
 D760,283 S 6/2016 Horiuchi
 D761,277 S 7/2016 Harvell
 D761,812 S 7/2016 Motamedi
 D761,857 S 7/2016 Mariet
 D762,671 S 8/2016 Chan
 D763,861 S 8/2016 Kaasalainen
 D763,869 S 8/2016 Wang
 D765,101 S 8/2016 Park
 D766,308 S 9/2016 Park
 D769,312 S 10/2016 Chen
 D769,889 S 10/2016 Kuhn
 D773,531 S 12/2016 Toth
 D774,081 S 12/2016 Yoo
 D775,658 S 1/2017 Luo
 D776,152 S 1/2017 Park
 D776,687 S 1/2017 Wick
 D777,200 S 1/2017 Luo
 D777,762 S 1/2017 Park
 D777,778 S 1/2017 Park
 D780,781 S 3/2017 Ding
 D783,633 S 4/2017 Oh
 D783,652 S 4/2017 Guan
 D784,369 S 4/2017 Kuhn
 D784,370 S 4/2017 Kuhn
 D785,013 S 4/2017 Kuhn
 D791,161 S 7/2017 Hatzikostas
 D791,830 S 7/2017 Szeto
 D792,900 S 7/2017 Gaur
 D794,048 S 8/2017 Lee
 D794,055 S 8/2017 Kim
 D796,527 S 9/2017 Lee
 D797,123 S 9/2017 Lee

D797,124 S 9/2017 Lee
 D797,125 S 9/2017 Lee
 D800,779 S 10/2017 Lee
 D801,350 S 10/2017 Rejkowski
 D803,870 S 11/2017 Landry
 D803,881 S 11/2017 Hurley
 D803,884 S * 11/2017 Bebbington D14/492
 D804,494 S 12/2017 Bombolowsky
 D804,497 S 12/2017 Akatsu
 D804,498 S 12/2017 Akatsu
 D805,528 S 12/2017 Hersh
 D806,091 S 12/2017 Weaver
 D806,125 S 12/2017 Jewitt
 D806,717 S 1/2018 Bae
 D806,751 S 1/2018 Lee
 D807,398 S 1/2018 Lee
 D807,399 S 1/2018 Lee
 D808,423 S 1/2018 Jiang
 D809,522 S 2/2018 Mizono
 D811,421 S 2/2018 Caldwell
 D813,245 S 3/2018 Mariet
 D813,884 S 3/2018 Penker
 D815,109 S 4/2018 Weaver
 D815,666 S 4/2018 Burns
 D816,690 S 5/2018 Lee
 D819,685 S 6/2018 Lee
 D820,288 S 6/2018 Howell
 D821,434 S 6/2018 Park
 D822,693 S * 7/2018 Javor D14/486
 D824,405 S 7/2018 Narinedhat
 D826,272 S 8/2018 Lee
 D826,273 S 8/2018 Lee
 D826,274 S 8/2018 Lee
 D826,967 S 8/2018 Li
 D826,987 S 8/2018 Lee
 10,046,144 B2 8/2018 Lampropoulos
 D828,370 S 9/2018 Lee
 D828,852 S 9/2018 Park
 D829,219 S 9/2018 Bae
 D829,241 S 9/2018 Clapper
 D829,764 S 10/2018 Clapper
 D831,035 S 10/2018 McGlasson
 D831,054 S 10/2018 Moon
 D831,059 S 10/2018 Bao
 D832,298 S 10/2018 Joensson
 D834,042 S 11/2018 Bae
 D834,596 S 11/2018 Bae
 D835,632 S 12/2018 Liu
 D835,665 S 12/2018 Kimura
 D837,262 S 1/2019 Lee
 D840,415 S 2/2019 Yoon
 D844,029 S 3/2019 Bebbington
 D844,663 S * 4/2019 Ryono D14/489
 D844,668 S 4/2019 Lee
 D847,854 S 5/2019 Christian
 D848,479 S 5/2019 Lee
 D848,480 S 5/2019 Lee
 D848,481 S 5/2019 Lee
 D848,482 S 5/2019 Lee
 D849,792 S 5/2019 Lee
 D854,031 S * 7/2019 Alvarez D14/485
 D857,749 S 8/2019 Brinker
 D858,576 S 9/2019 Lee
 D862,498 S 10/2019 Bae
 D862,521 S * 10/2019 Lee D14/492
 D865,813 S 11/2019 Lee
 D866,584 S 11/2019 Burroughs
 D873,300 S 1/2020 Lee
 D874,519 S 2/2020 Samuels
 D877,197 S 3/2020 Lee
 D877,198 S 3/2020 Lee
 D877,199 S 3/2020 Lee
 D878,420 S 3/2020 Dedonato
 D879,147 S 3/2020 Lebov
 D879,148 S 3/2020 Lee
 D881,943 S 4/2020 Lee
 D885,421 S 5/2020 Lunaparra
 D888,763 S 6/2020 Brinker
 D888,764 S 6/2020 Lee

(56)

References Cited

U.S. PATENT DOCUMENTS

D891,455	S *	7/2020	Bachman	D14/486
D898,045	S *	10/2020	Caro	D14/485
D902,245	S *	11/2020	Dudey	D14/488
D905,090	S *	12/2020	Domn	D14/486
D905,092	S *	12/2020	Kang	D14/487
D905,742	S *	12/2020	Jewitt	D14/489
D907,649	S *	1/2021	Uppala	D14/485
2004/0223004	A1	11/2004	Lincke		
2007/0136679	A1	6/2007	Yang		
2008/0126992	A1	5/2008	Scheu		
2010/0299637	A1	11/2010	Chmielewski		
2012/0096383	A1	4/2012	Sakamoto		
2012/0124520	A1	5/2012	Samp		
2013/0103580	A1	4/2013	Ventura		
2013/0127911	A1	5/2013	Brown		
2014/0282132	A1	9/2014	Daly, IV		
2015/0019966	A1	1/2015	Jeon		
2015/0040052	A1	2/2015	Noel		
2015/0095260	A1 *	4/2015	Ma	G06Q 10/04 705/36 R
2015/0348029	A1	12/2015	Van Os		
2016/0011726	A1	1/2016	Felt		
2016/0011850	A1	1/2016	Sheen		
2016/0103562	A1	4/2016	Bombolowsky		
2016/0337346	A1	11/2016	Momchilov		
2017/0109178	A1	4/2017	Chen		
2017/0185991	A1	6/2017	Park		
2017/0243056	A1	8/2017	Cheng		

OTHER PUBLICATIONS

ArsTechnica | How Apple Pay and Google Wallet actually work, posted on Oct. 29, 2014, no copyright date posted [online], [site visited May 11, 2017], Available from Internet, <URL: <https://arstechnica.com/gadgets/2014/10/how-mobile-payments-really-work/>>.

Samsung Newsroom | Products | Mobile | Samsung Pay Trial Service Launched in Korea, posted on Jul. 16, 2015, Copyright © 2011-2017 Samsung [online], [site visited May 11, 2017], Available from Internet, URL: <https://news.samsung.com/global/samsung-pay-trial-service-launched-in-korea/>>.

Unknown, “How to Configure Apple Pay on iPhone 6 and iPhone 6 Plus iOS [How-To]”, published Oct. 21, 2014 on the internet at OSXiOSExpert: <<https://www.osxiosexpert.com/setup-apple-pay-iphone-6-ios-8/>> (Last accessed Jun. 22, 2017).

Broussard, Mitchel, “Home Depot Quietly Drops Apple Pay, But Service Continues to Work at Many Store”, published May 5, 2015 at MacRumors: <<https://www.macrumors.com/2015/05/05/home-depot-quietly-drops-apple-pay/>> (Last accessed Jun. 22, 2017).

Unknown, “Apple Pay—Banco Santander”, unknown publishing date, <<https://www.bancosantander.es/es/particulares/banca-online/apple-pay>> (Last accessed Jun. 22, 2017).

Blog Spoon Graphics | Tutorials | How to Create a Vector Illustration from Start to Finish, posted on Jun. 15, 2015, no copyright date posted [online], [site visited Aug. 30, 2017]. Available from Internet, <URL: <https://blog.spoongraphics.co.uk/tutorials/how-to-create-a-vector-illustration-from-start-to-finish/> > (Last accessed Dec. 1, 2017).

* cited by examiner

