



US00D920352S

(12) **United States Design Patent**  
**Nakafuji et al.**

(10) **Patent No.:** **US D920,352 S**  
(45) **Date of Patent:** **\*\* May 25, 2021**

(54) **DISPLAY SCREEN WITH ANIMATED GRAPHICAL USER INTERFACE**

9,594,980 B1 \* 3/2017 Graham ..... A61B 6/5241  
D783,633 S \* 4/2017 Oh ..... D14/485  
9,626,589 B1 \* 4/2017 Graham ..... G06K 9/34

(Continued)

(71) Applicant: **Canon Kabushiki Kaisha**, Tokyo (JP)

(72) Inventors: **Nozomi Nakafuji**, Tokyo (JP);  
**Seiichiro Utsumi**, Tokyo (JP)

(73) Assignee: **Canon Kabushiki Kaisha**, Tokyo (JP)

(\*\*) Term: **15 Years**

(21) Appl. No.: **29/722,471**

(22) Filed: **Jan. 30, 2020**

(30) **Foreign Application Priority Data**

Jul. 30, 2019 (JP) ..... 2019-016964

(51) **LOC (13) Cl.** ..... **14-04**

(52) **U.S. Cl.**  
USPC ..... **D14/485**

(58) **Field of Classification Search**  
USPC ..... D14/485-495  
CPC ..... G06F 3/048-04897  
See application file for complete search history.

(56) **References Cited**

**U.S. PATENT DOCUMENTS**

- D651,611 S \* 1/2012 Ouilhet ..... D14/489
- D712,915 S \* 9/2014 Lee ..... D14/486
- D712,917 S \* 9/2014 Lee ..... D14/486
- D713,414 S \* 9/2014 Lee ..... D14/486
- D713,415 S \* 9/2014 Lee ..... D14/486
- D753,151 S \* 4/2016 Lee ..... D14/485
- D756,401 S \* 5/2016 Soldner ..... D14/488
- D763,271 S \* 8/2016 Everette ..... D14/485
- D776,680 S \* 1/2017 Bae ..... D14/485
- D778,940 S \* 2/2017 Williamson ..... D14/488
- D780,781 S \* 3/2017 Ding ..... D14/486
- D781,911 S \* 3/2017 Tegethoff ..... D14/489

**OTHER PUBLICATIONS**

Co-pending Design U.S. Appl. No. 29/722,467, filed Jan. 30, 2020.

*Primary Examiner* — Karen E Kearney

*Assistant Examiner* — Andrew T Nemeth

(74) *Attorney, Agent, or Firm* — Venable LLP

(57) **CLAIM**

The ornamental design for a display screen with animated graphical user interface, as shown and described.

**DESCRIPTION**

FIG. 1 is a front view of a first image in a sequence for a display screen with animated graphical user interface showing our new design;

FIG. 2 is a front view of a second image thereof;

FIG. 3 is a front view of a third image thereof;

FIG. 4 is a front view of a fourth image thereof;

FIG. 5 is another view of FIG. 1 with additional broken line subject matter;

FIG. 6 is another view of FIG. 2 with additional broken line subject matter;

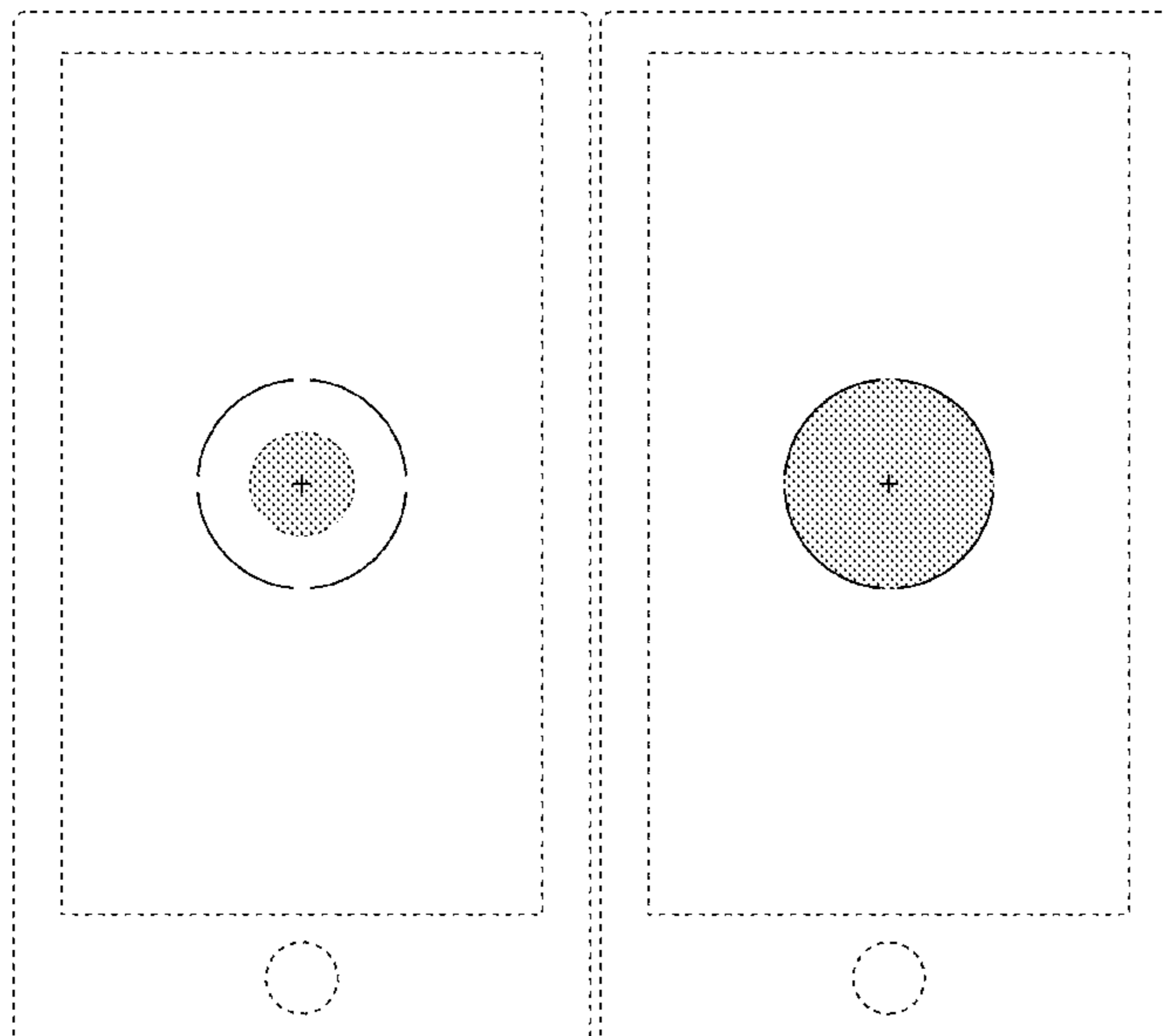
FIG. 7 is another view of FIG. 3 with additional broken line subject matter; and,

FIG. 8 is another view of FIG. 4 with additional broken line subject matter.

The appearance of the animated graphical user interface sequentially transitions between the images shown in FIGS. 1-4 and between the images shown in FIGS. 5-8. The process or period in which one image transitions to another image forms no part of the claimed design.

The broken lines in the figures illustrate a computer and portions of the display screen with animated graphical user interface that form no part of the claimed design.

**1 Claim, 8 Drawing Sheets**



(56)

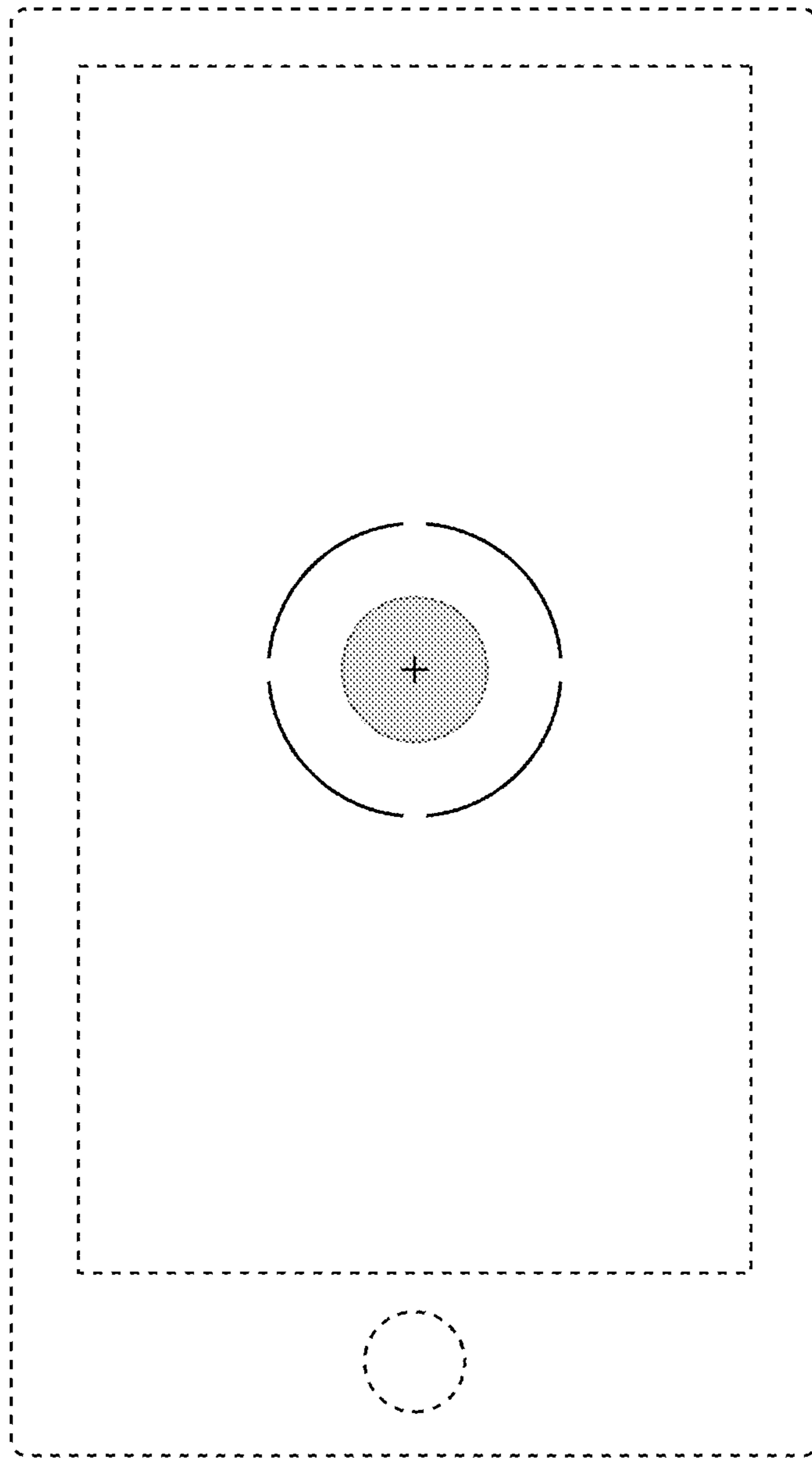
**References Cited**

## U.S. PATENT DOCUMENTS

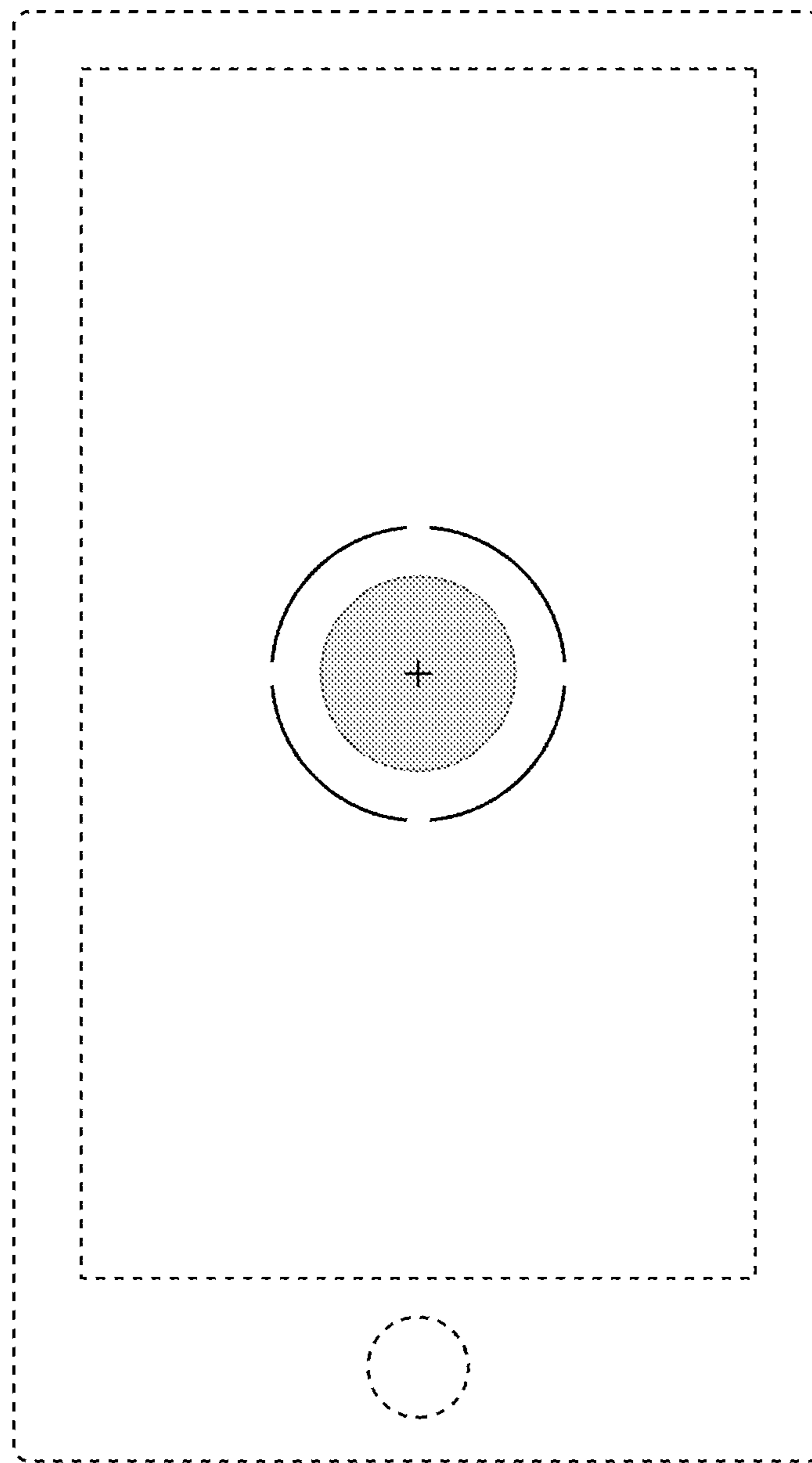
D795,284 S \* 8/2017 Miller ..... D14/487  
D802,603 S \* 11/2017 Bickel ..... D14/485  
D803,233 S \* 11/2017 Wilberding ..... D14/485  
D803,870 S \* 11/2017 Landry ..... D14/488  
D805,548 S \* 12/2017 King ..... D14/488  
D841,019 S \* 2/2019 Bonnevie ..... D14/485  
D854,550 S \* 7/2019 O'Rourke ..... D14/485  
D854,555 S \* 7/2019 Elder ..... D14/485  
D855,629 S \* 8/2019 Arai ..... D14/485  
D855,646 S \* 8/2019 Hohne ..... D14/487  
D868,079 S \* 11/2019 Zimmer ..... D14/485  
D870,738 S \* 12/2019 Robinson ..... D14/485  
D875,783 S \* 2/2020 Pazmino ..... D14/491  
D882,592 S \* 4/2020 Yan ..... D14/485  
D888,726 S \* 6/2020 Yan ..... D14/485  
D888,727 S \* 6/2020 Yan ..... D14/485  
D888,758 S \* 6/2020 Yan ..... D14/488  
D890,773 S \* 7/2020 Pascoli ..... D14/485  
2013/0326380 A1 \* 12/2013 Lai ..... G01C 21/32  
715/765  
2013/0326407 A1 \* 12/2013 van Os ..... G06F 3/04883  
715/810  
2018/0338026 A1 \* 11/2018 Jon ..... H04L 65/80

\* cited by examiner

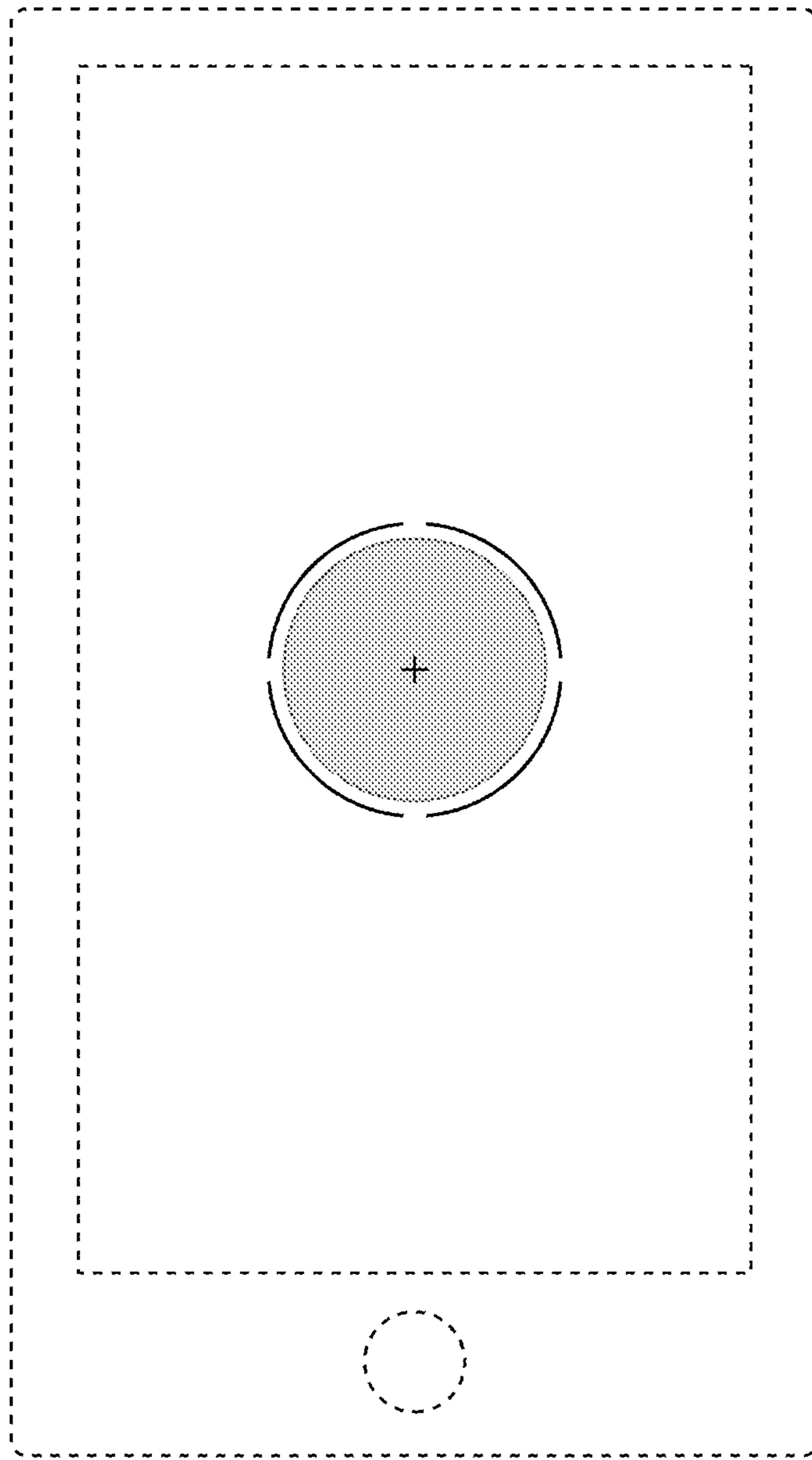
**FIG. 1**



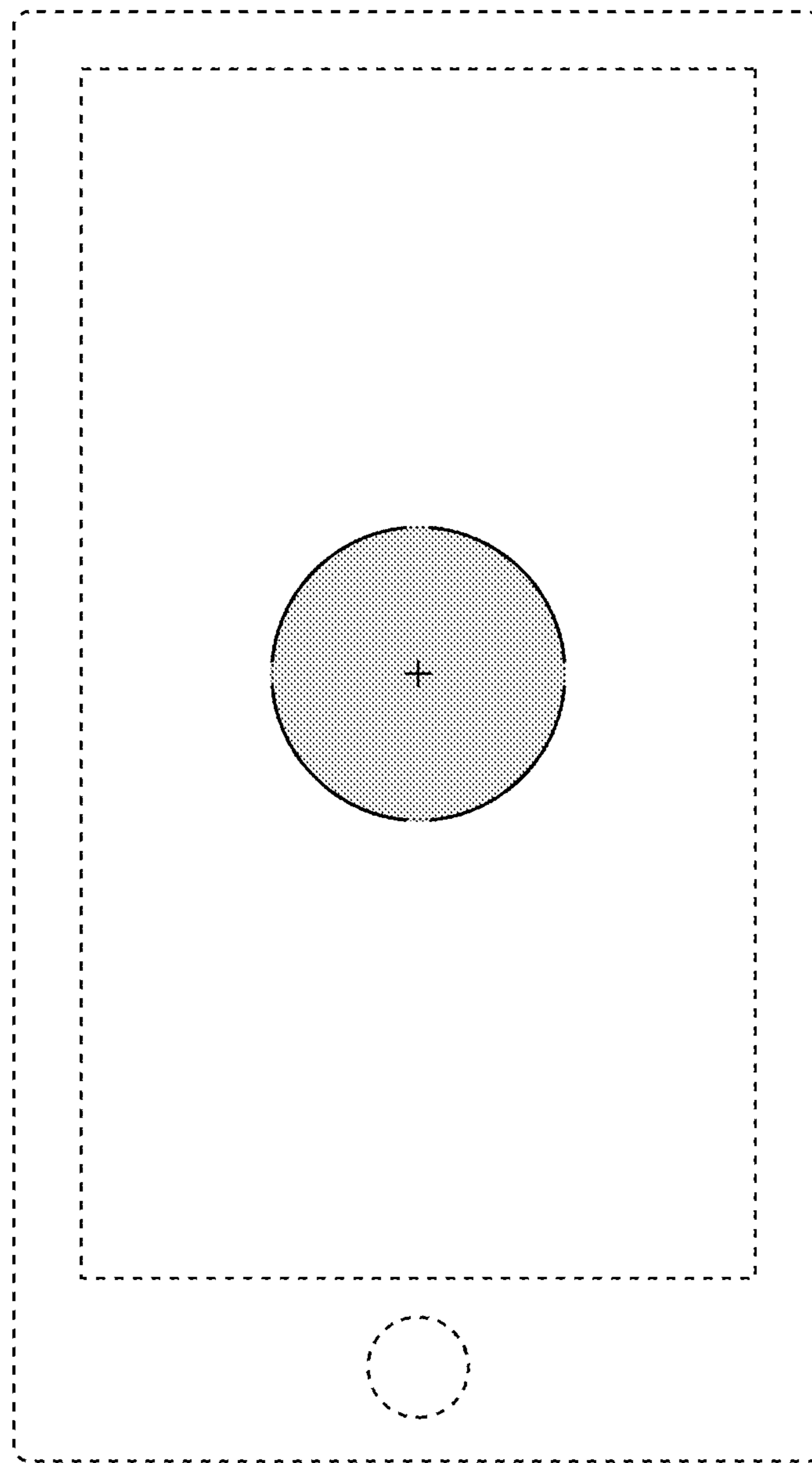
**FIG. 2**



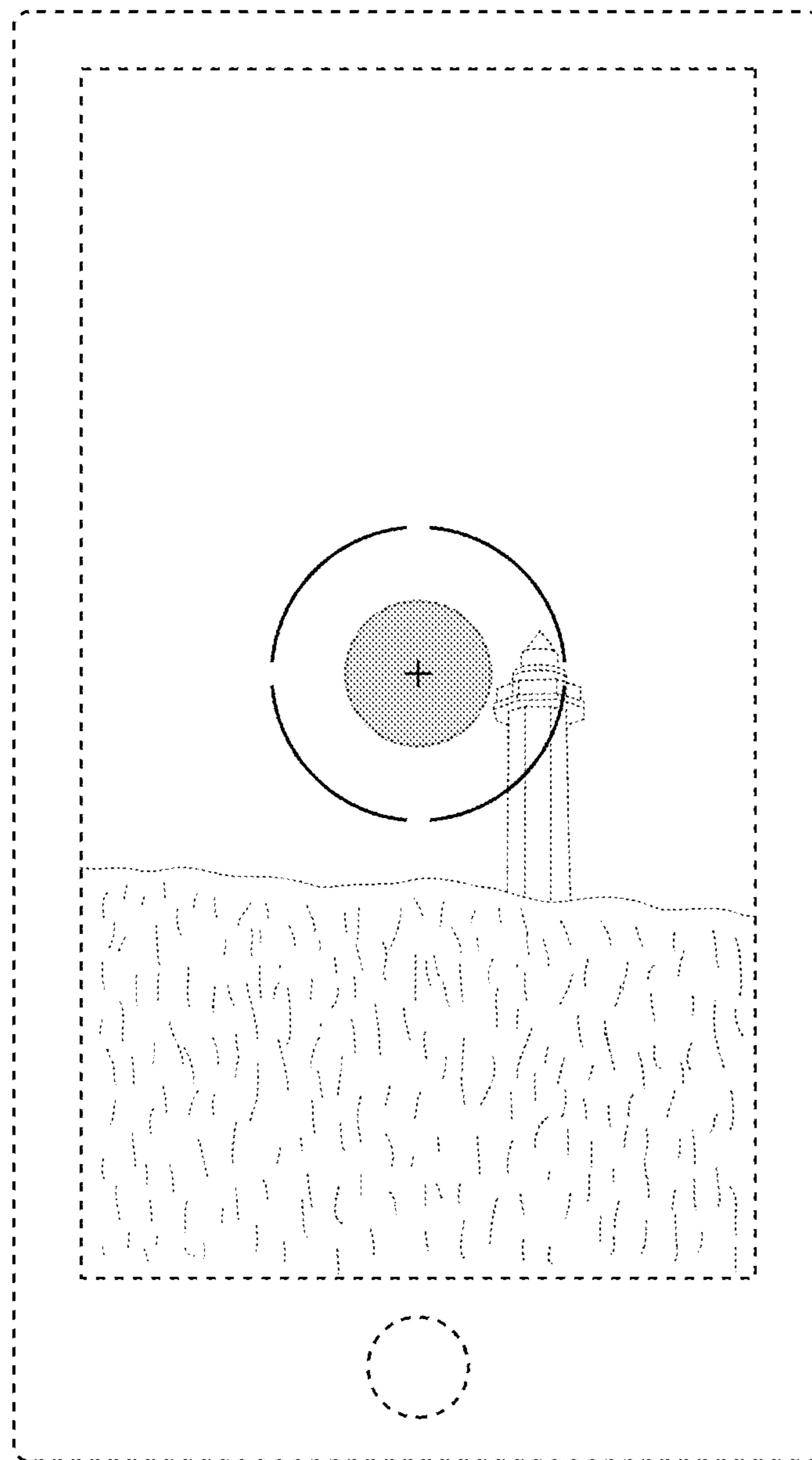
**FIG. 3**



**FIG. 4**

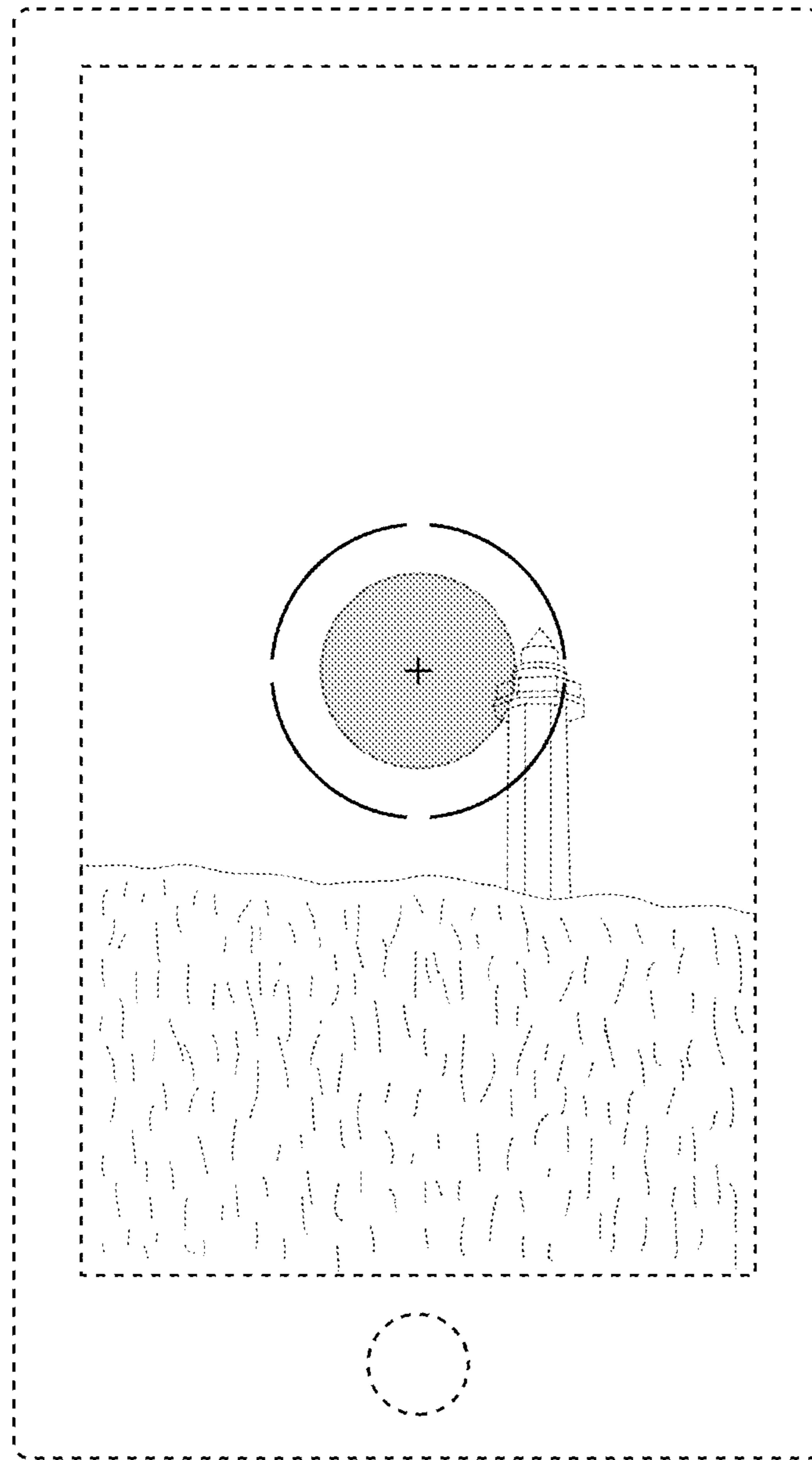


**FIG. 5**



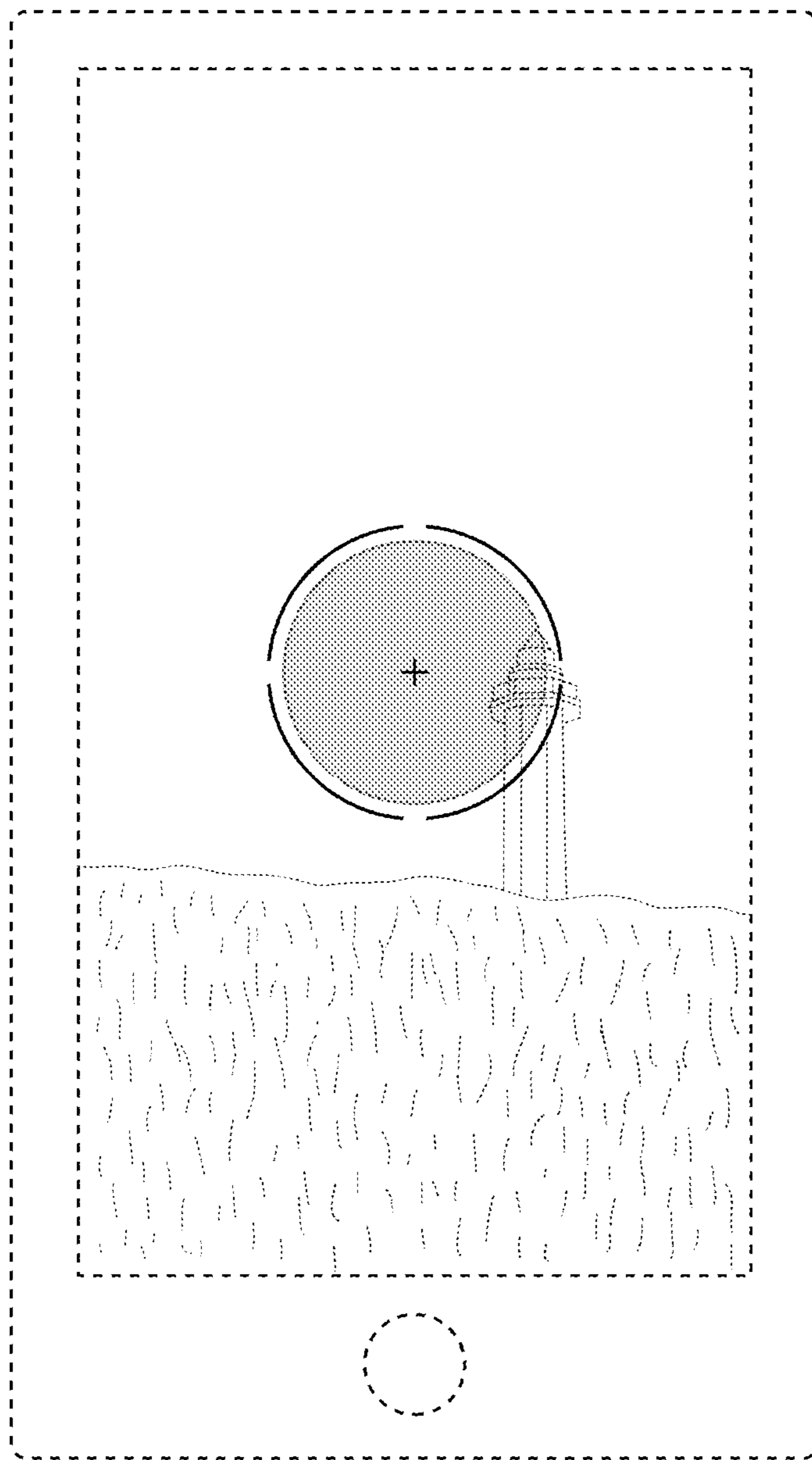


**FIG. 6**





**FIG. 7**



**FIG. 8**

