



US00D920340S

(12) **United States Design Patent**
Shu

(10) **Patent No.:** **US D920,340 S**

(45) **Date of Patent:** **** May 25, 2021**

(54) **TABLE TOP MONITOR STAND**

(71) Applicant: **Hua Shu**, Shenzen (CN)

(72) Inventor: **Hua Shu**, Shenzen (CN)

(**) Term: **15 Years**

(21) Appl. No.: **29/741,125**

(22) Filed: **Jul. 9, 2020**

(51) **LOC (13) Cl.** **14-02**

(52) **U.S. Cl.**

USPC **D14/452**

(58) **Field of Classification Search**

USPC D14/447-452, 239, 371, 372, 373, 374,
D14/125, 127, 128, 129, 335-337, 375,
D14/376, 377, 341; D8/355, 363, 373;
D6/672, 682

CPC F16M 11/2085; F16M 11/2092; F16M
11/2007; F16M 11/2014; F16M 11/2021;
F16M 11/105; F16M 11/10; F16M
11/048; F16M 11/12; F16M 13/022

See application file for complete search history.

(56) **References Cited**

U.S. PATENT DOCUMENTS

D568,135 S	5/2008	Pribyl et al.	
7,369,401 B1 *	5/2008	Floersch	F16M 11/08 292/301
D632,301 S *	2/2011	Kasuga	D14/452
D660,308 S *	5/2012	Huang	D14/452
8,602,366 B2 *	12/2013	Chen	F16M 11/046 248/125.7
8,602,367 B2 *	12/2013	Wang	F16M 13/02 248/125.7
D871,380 S	12/2019	Fehr	
D872,067 S *	1/2020	Knapp	D14/239
D872,719 S *	1/2020	Knapp	D14/239

D877,745 S *	3/2020	Knapp	D14/452
D894,197 S *	8/2020	Knapp	D14/452
10,753,531 B2 *	8/2020	Huang	F16M 11/16
D895,632 S *	9/2020	Knapp	D14/452
10,760,727 B2 *	9/2020	Huang	F16M 11/045
D901,514 S *	11/2020	Knapp	D14/452

FOREIGN PATENT DOCUMENTS

EM	000047972-0002	*	12/2003
EM	004693018-0014	*	3/2018
KR	300623343.0000	*	12/2011

OTHER PUBLICATIONS

Amazon. Link: https://www.amazon.com/dp/B07ZNY787C/ref=cm_sw_em_r_mt_dp_ZIE7FbT1R1W3Q. Apr. 28, 2020. HUANUO Swivel Universal Single Monitor Stand. (Year: 2020).*

(Continued)

Primary Examiner — Lauren D McVey

(57) **CLAIM**

The ornamental design for a table top monitor stand, as shown and described.

DESCRIPTION

FIG. 1 is a perspective view of a table top monitor stand showing my new design;

FIG. 2 is a front elevational view of FIG. 1;

FIG. 3 is a rear elevational view thereof;

FIG. 4 is a left side elevational view thereof;

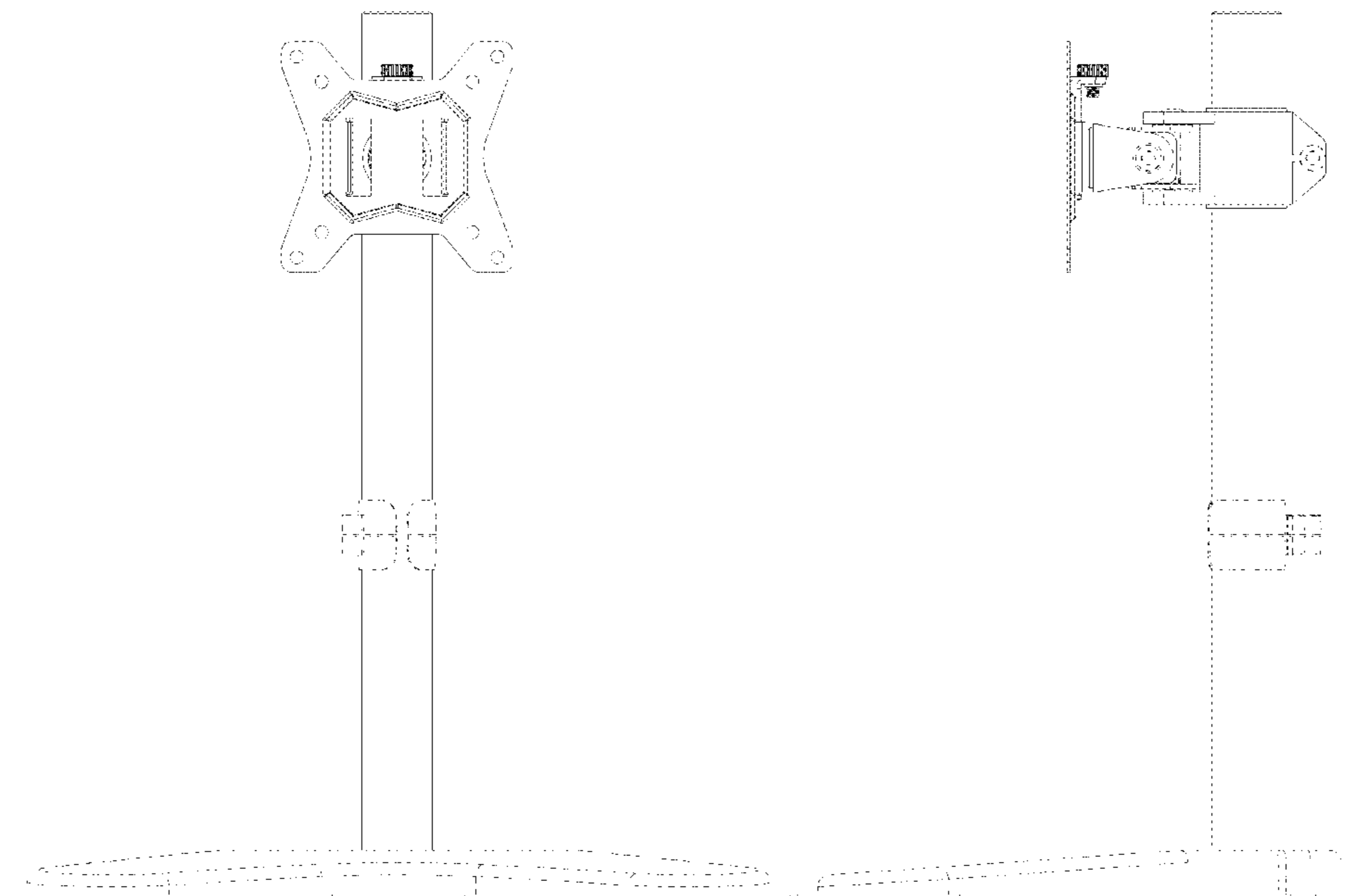
FIG. 5 is a right side elevational view thereof;

FIG. 6 is a top plan view thereof; and,

FIG. 7 is a bottom plan view thereof.

The broken lines immediately adjacent to the claim depict the bounds of the claimed design, while all other broken lines are directed to environment. The broken lines form no part of the claimed design.

1 Claim, 7 Drawing Sheets



(56)

References Cited

OTHER PUBLICATIONS

Amazon. Link: https://www.amazon.com/VIVO-Single-Monitor-Adjustable-STAND-V001C/dp/B01CUU2VKY?ref_=ast_sto_dp. Mar. 11, 2016. VIVO Single Monitor Adjustable Tilt Desk Mount Stand. (Year: 2016).*

Amazon. Link: https://www.amazon.com/dp/B072QDMRS8/ref=emc_b_5_i. Jun. 6, 2017. WALI Free Standing Single LCD Monitor Fully Adjustable Desk Mount. (Year: 2017).*

* cited by examiner

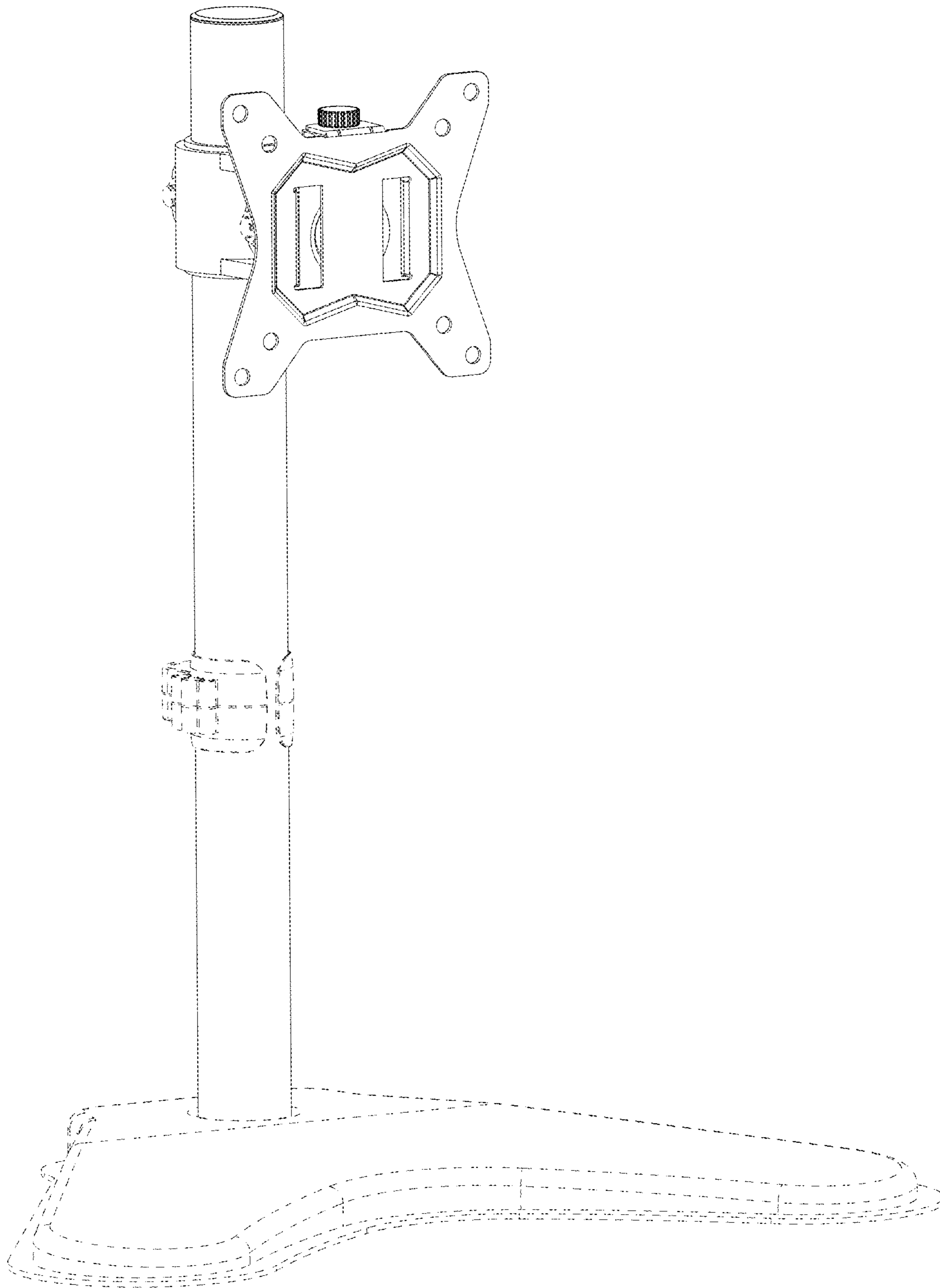


FIG. 1

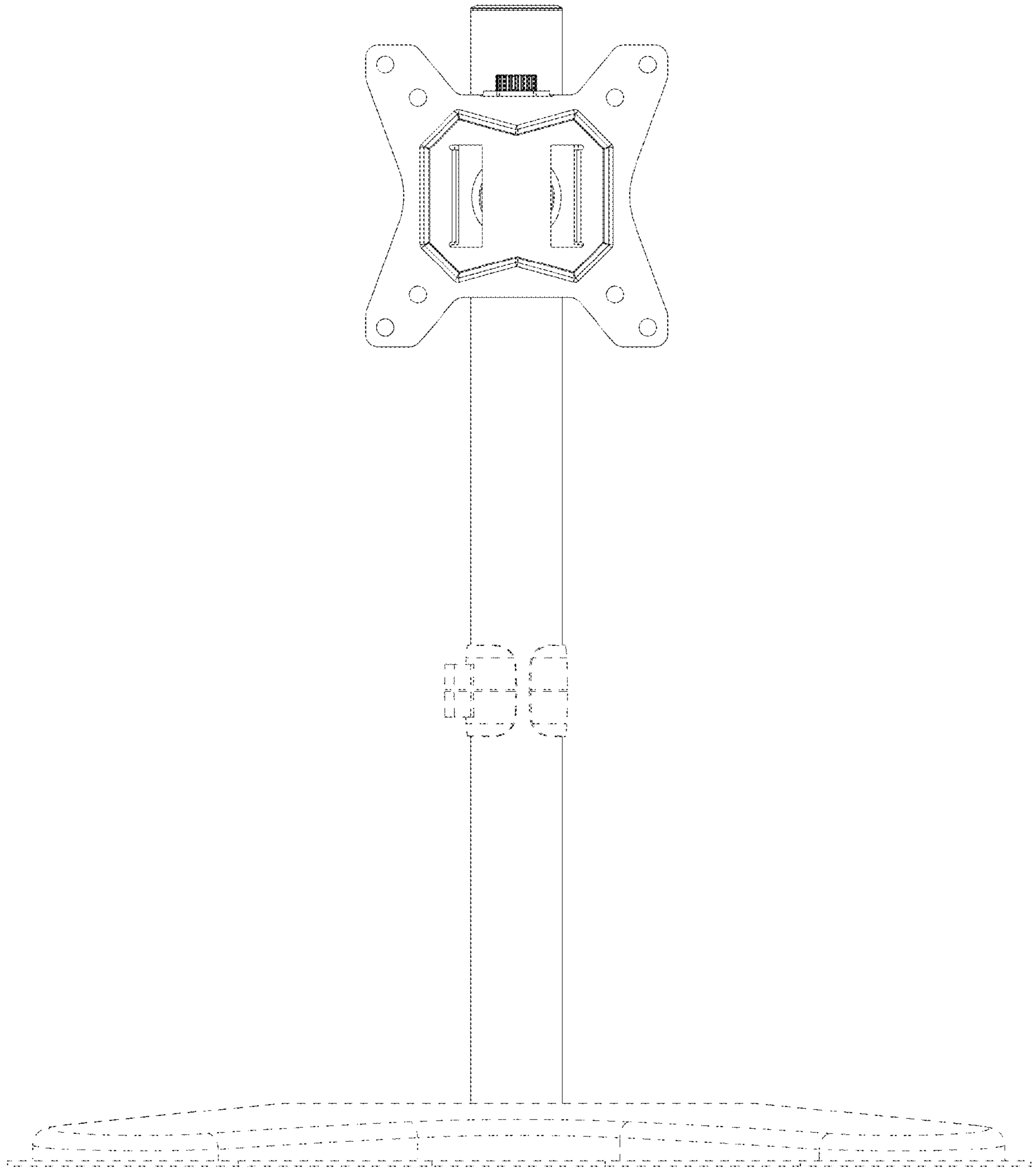


FIG. 2

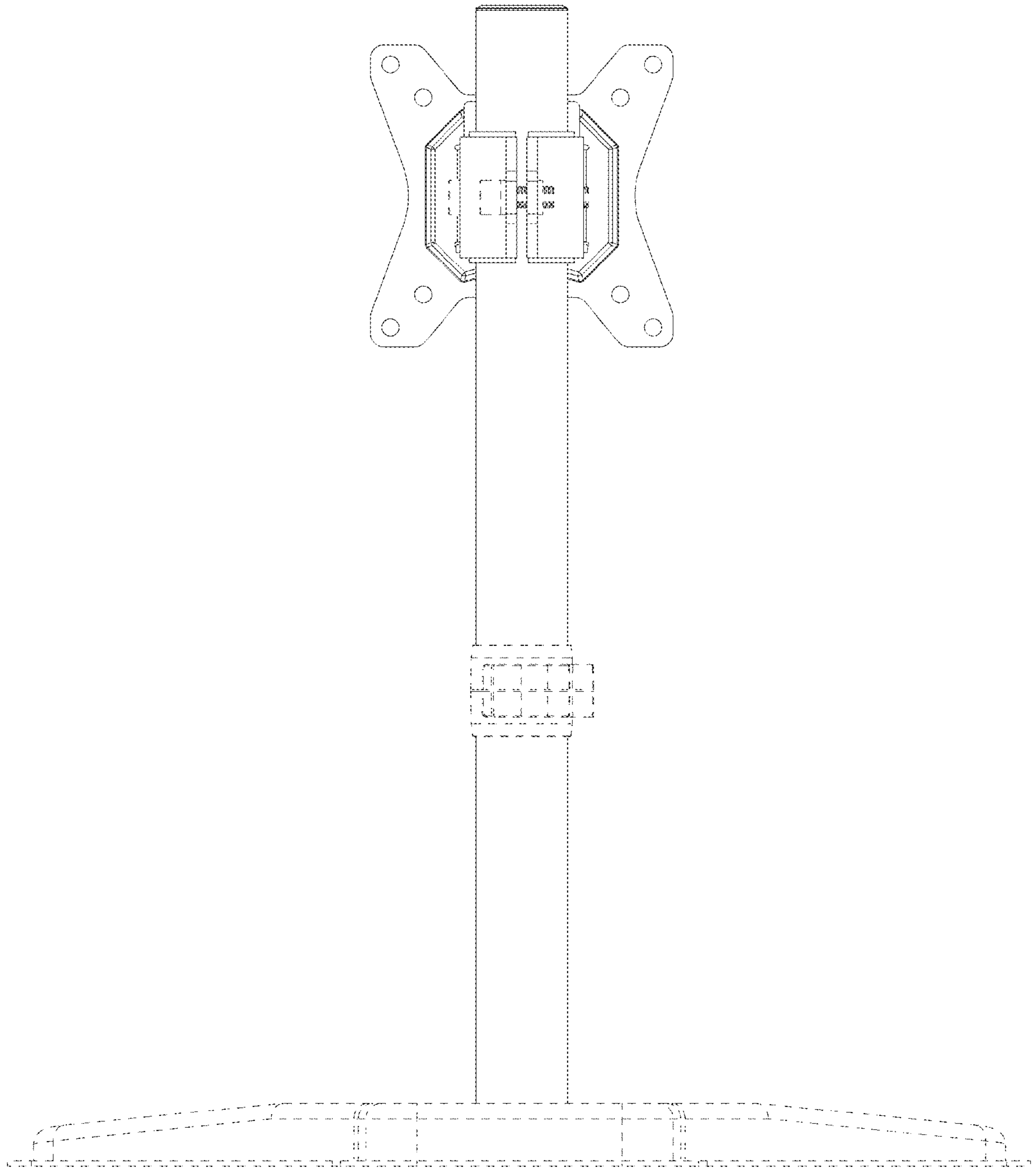


FIG. 3

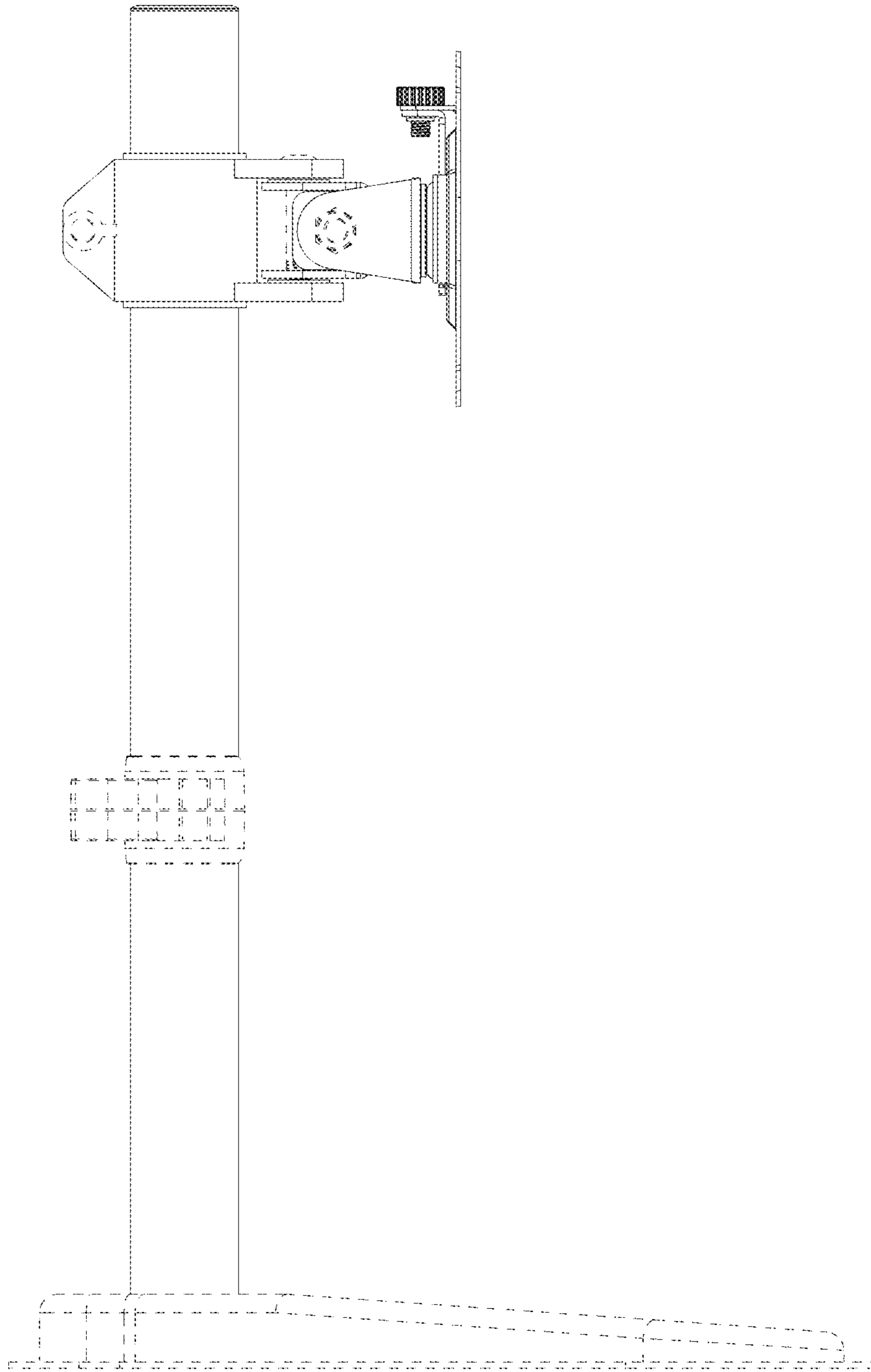


FIG. 4

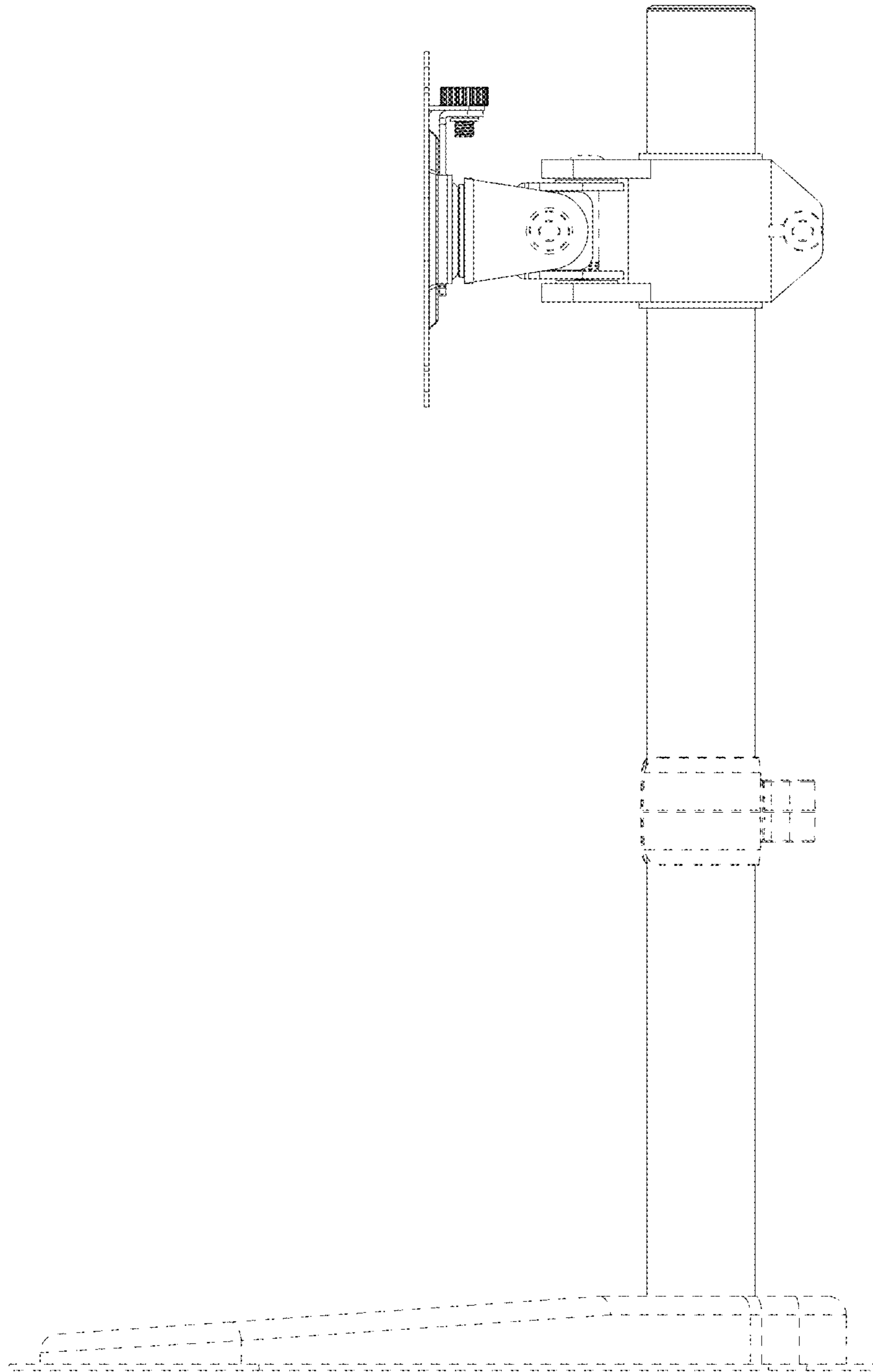


FIG. 5

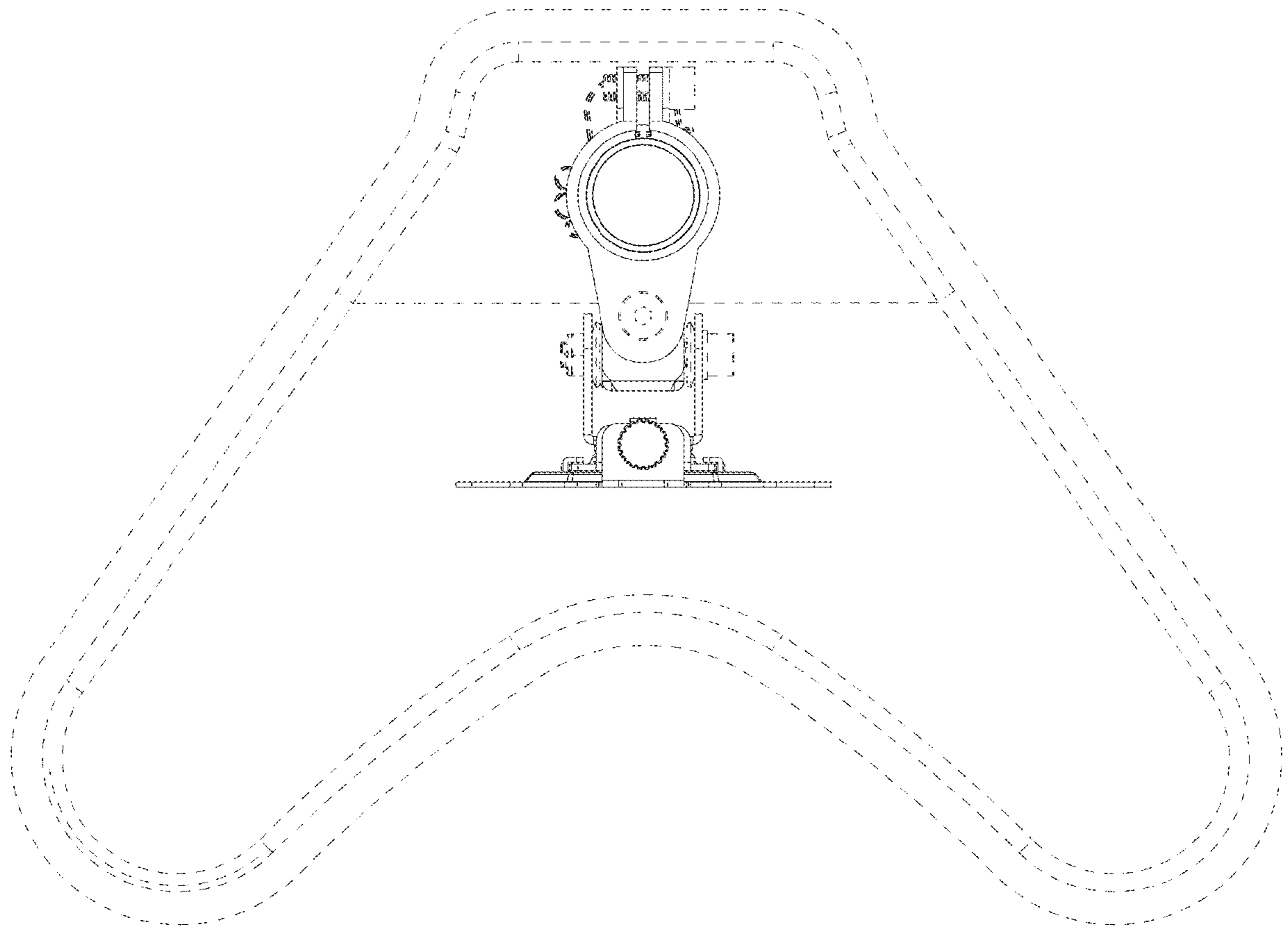


FIG. 6

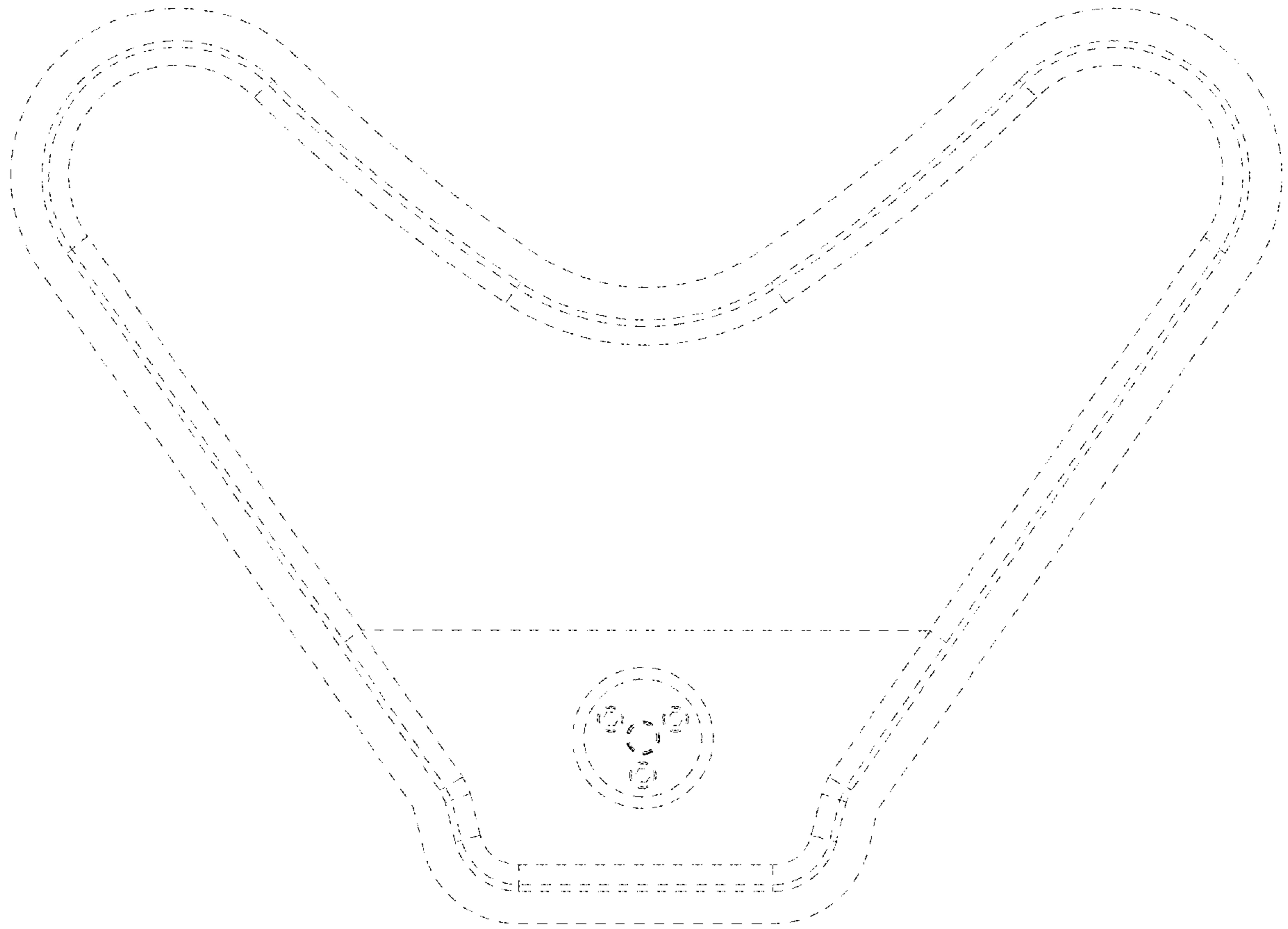


FIG. 7