



US00D920339S

(12) **United States Design Patent**  
**Kaji et al.**

(10) **Patent No.:** **US D920,339 S**

(45) **Date of Patent:** **\*\* May 25, 2021**

(54) **SUPPORT FOR COMPUTER TERMINALS**

(71) Applicant: **LEOMO, Inc.**, Boulder, CO (US)

(72) Inventors: **Kunihiko Kaji**, Tokyo (JP); **Satoru Taniyama**, Tokyo (JP)

(\*\*) Term: **15 Years**

(21) Appl. No.: **35/508,516**

(22) Filed: **Aug. 1, 2019**

(80) **Hague Agreement Data**

Int. Filing Date: **Aug. 1, 2019**

Int. Reg. No.: **DM/204887**

Int. Reg. Date: **Aug. 1, 2019**

Int. Reg. Pub. Date: **Feb. 28, 2020**

(51) **LOC (13) Cl.** ..... **14-01**

(52) **U.S. Cl.**  
USPC ..... **D14/447**

(58) **Field of Classification Search**  
USPC ..... D14/447, 432, 434, 439, 440, 451, 452,  
D14/457, 239, 251, 253; D8/363, 373,  
D8/380; D6/406.3, 406.4, 406.5, 406.6;  
D12/415  
CPC ..... A47B 21/04; A47B 2097/006; A47B  
2097/005; A47B 2023/049; A45C  
2011/002; A45C 2011/003; F16M  
2200/00; F16M 13/00

See application file for complete search history.

(56) **References Cited**

U.S. PATENT DOCUMENTS

D676,447 S *	2/2013	Detemple .....	D14/434
D689,853 S *	9/2013	Smith .....	D14/253
D703,213 S *	4/2014	Gifford .....	D14/447
D739,857 S *	9/2015	Lay .....	D14/447
D742,387 S *	11/2015	Xiang .....	D14/447
D795,265 S *	8/2017	Li .....	D14/447
D840,995 S *	2/2019	Balmer .....	D14/253
D854,537 S *	7/2019	Ackeret .....	D14/253

\* cited by examiner

*Primary Examiner* — Keli L Hill

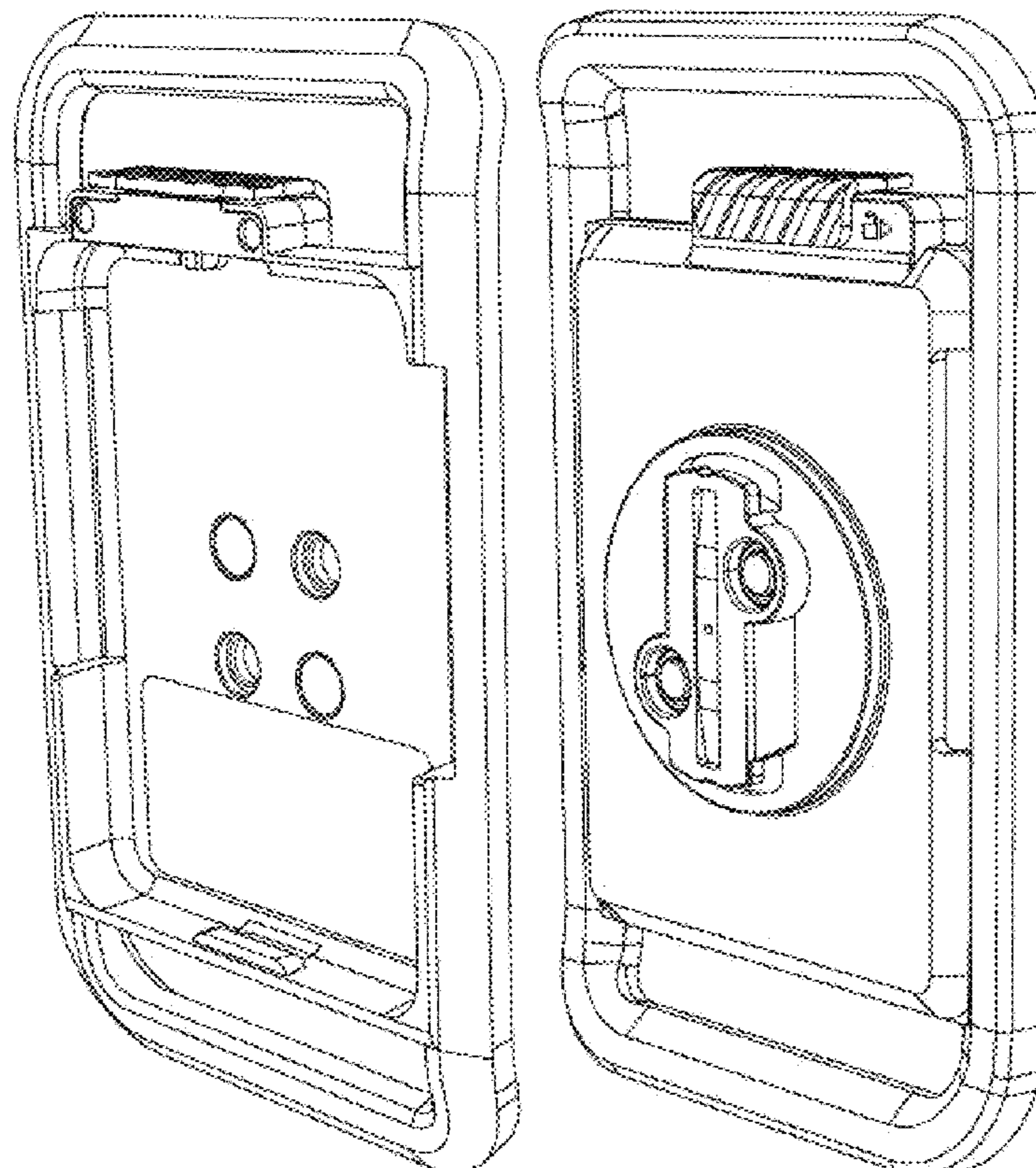
(57) **CLAIM**

The ornamental design for a support for computer terminals, as shown and described.

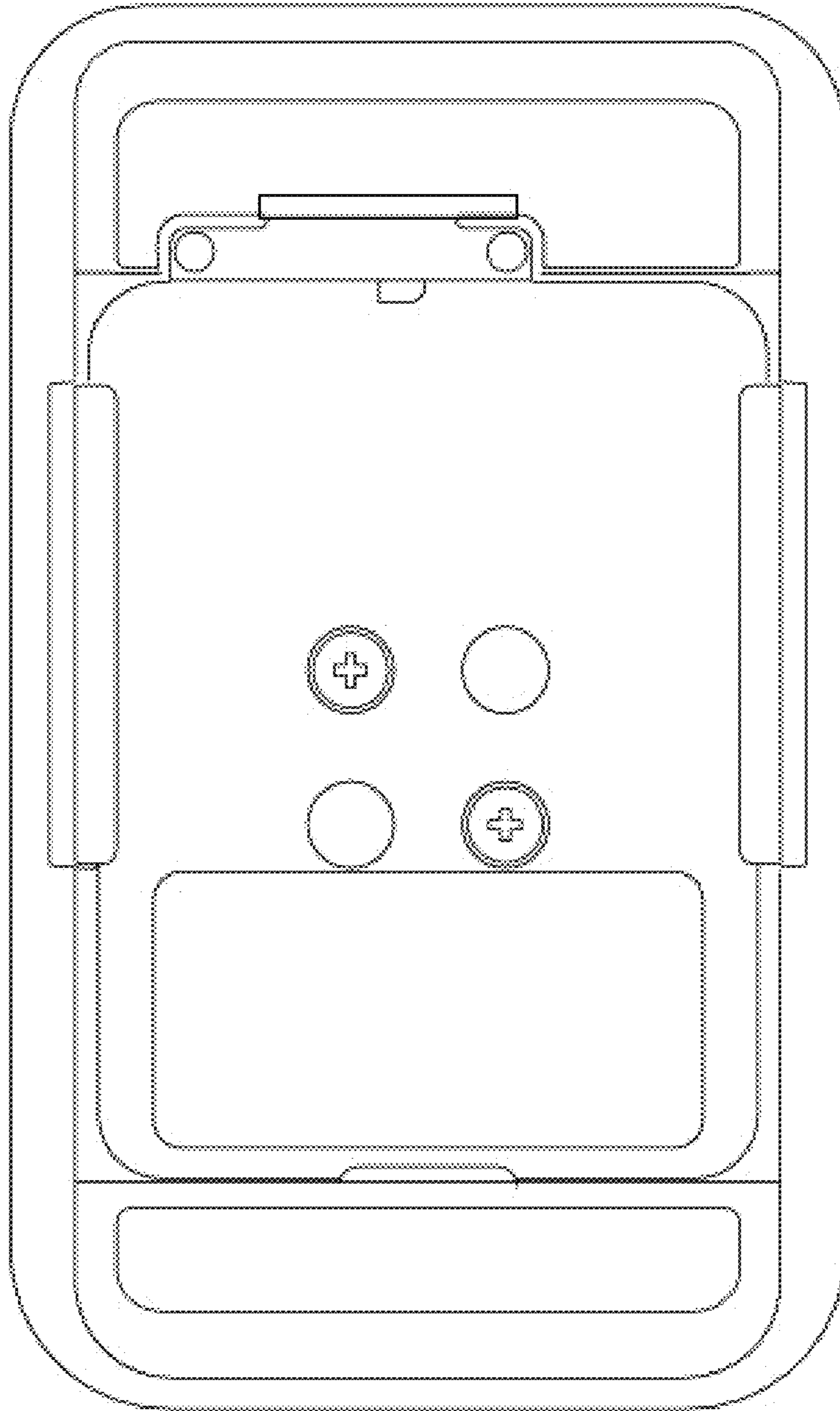
**DESCRIPTION**

- 1. Support for computer terminals
- 1.1 : Front
- 1.2 : Right
- 1.3 : Back
- 1.4 : Left
- 1.5 : Top
- 1.6 : Bottom
- 1.7 : Perspective
- 1.8 : Perspective

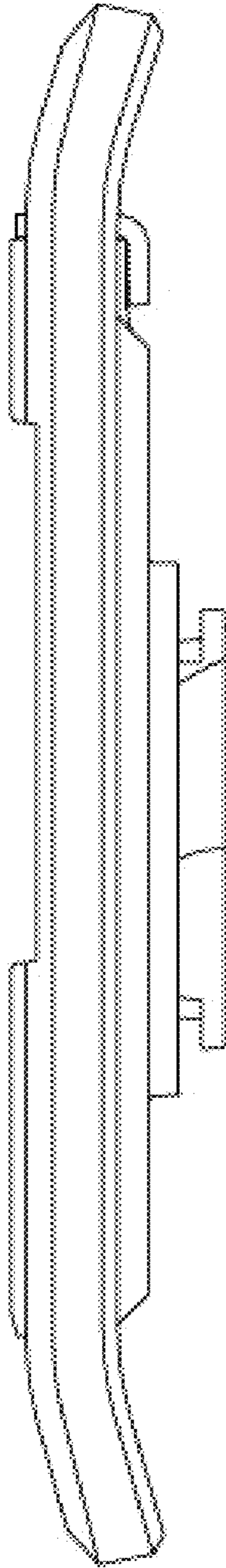
**1 Claim, 8 Drawing Sheets**



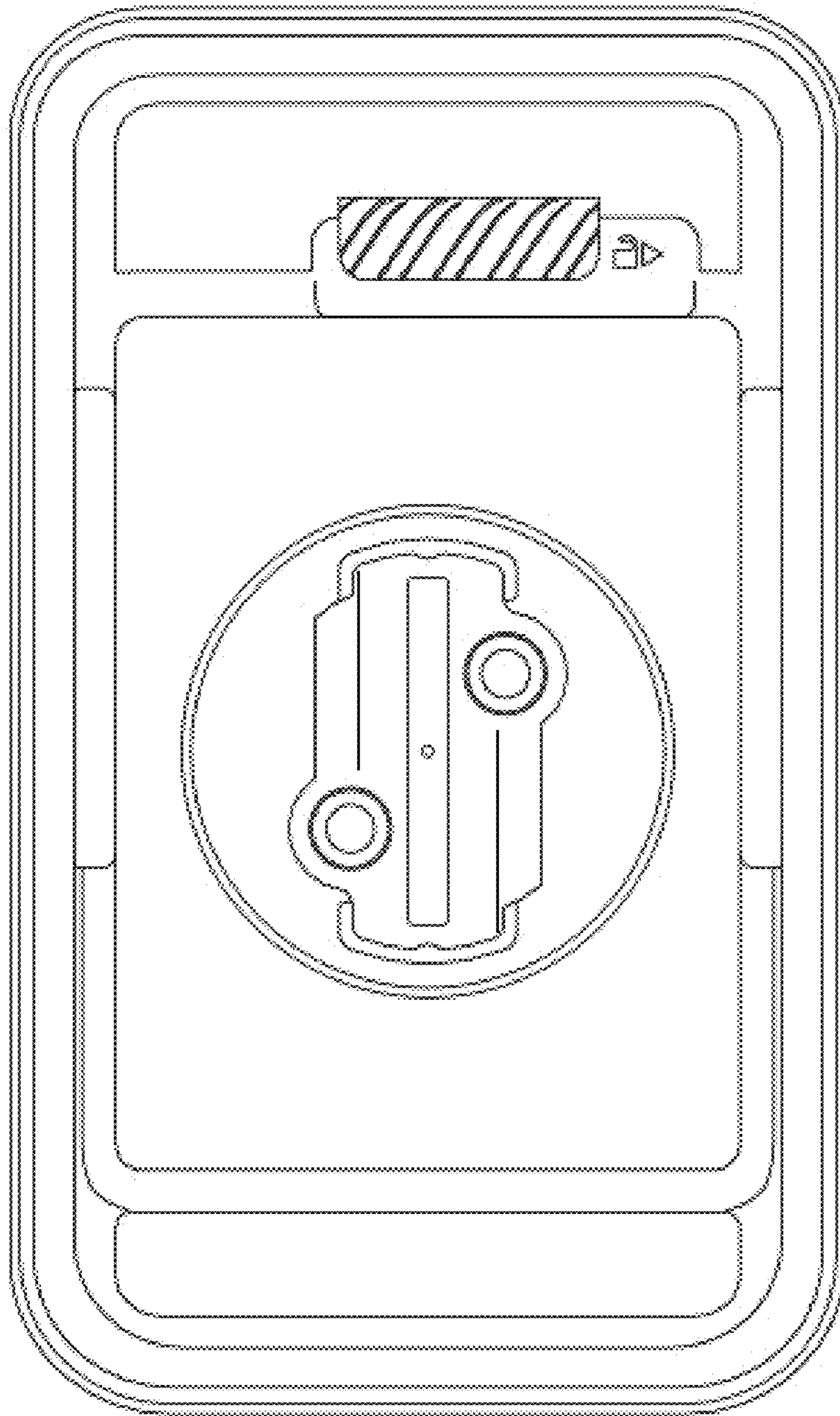
# 1.1



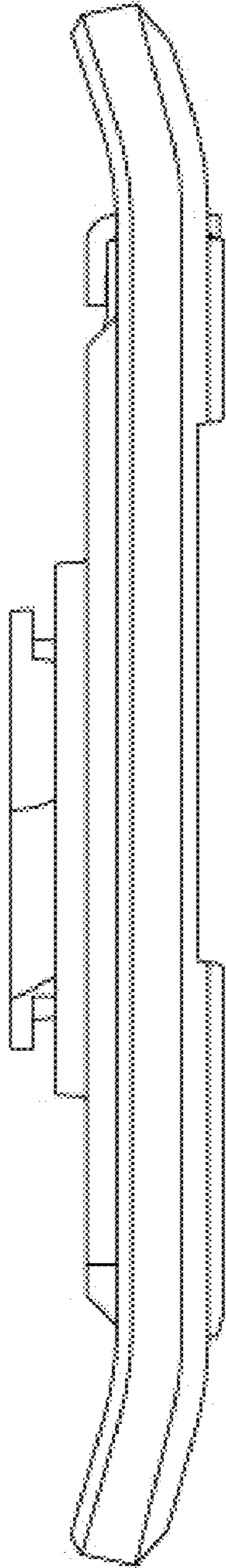
# 1.2



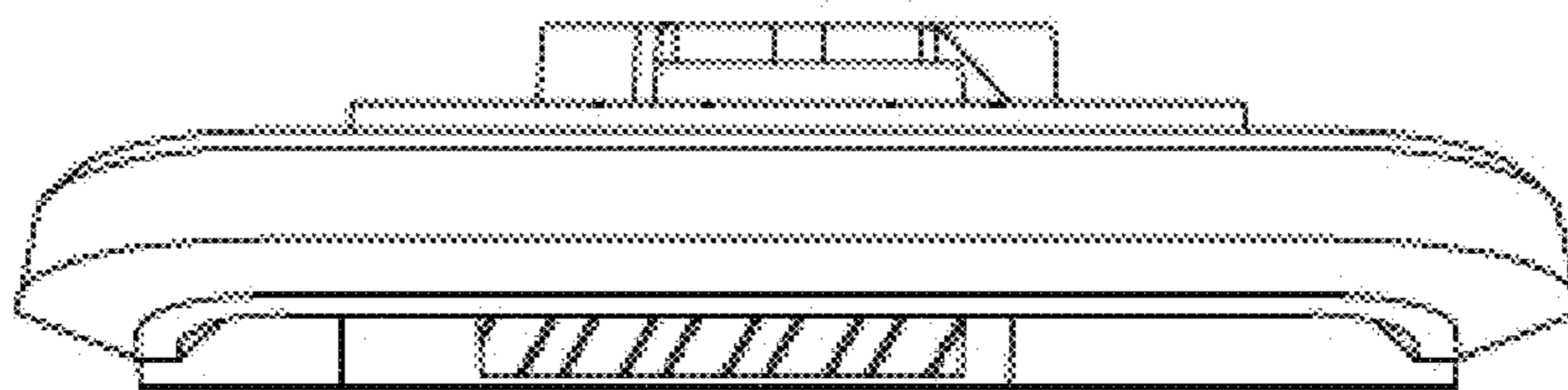
# 1.3



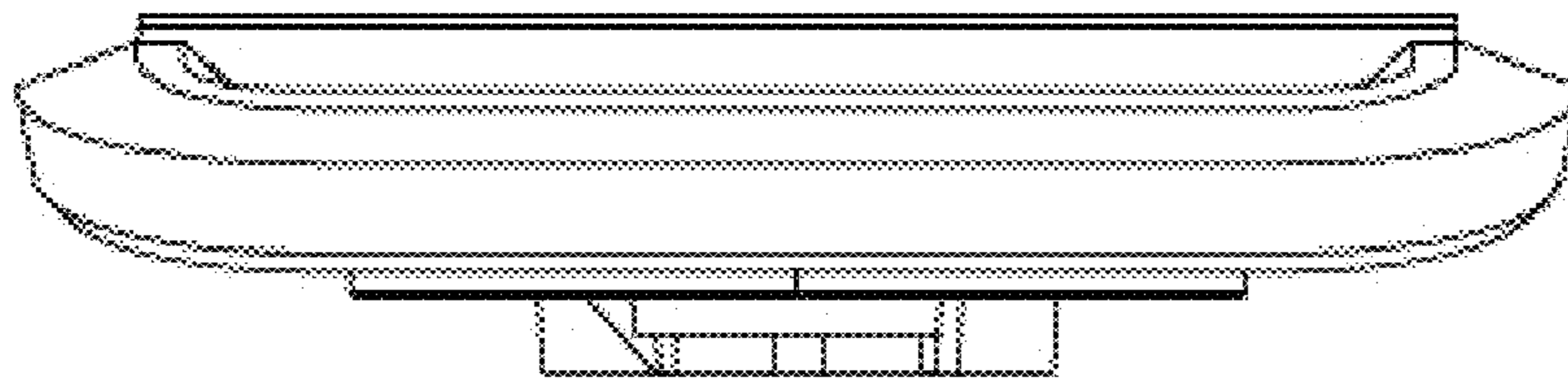
**1.4**



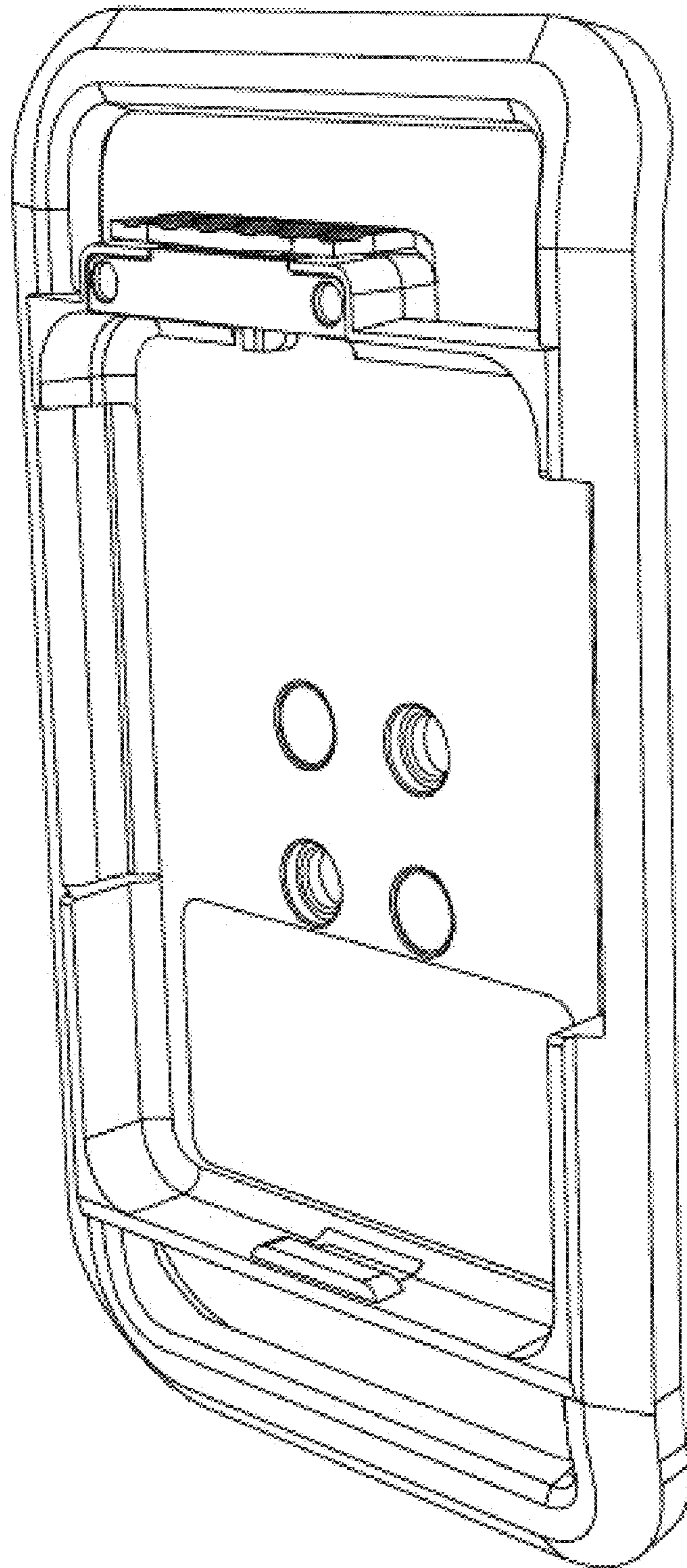
**1.5**



**1.6**



# 1.7





# 1.8

