



US00D920338S

(12) **United States Design Patent**  
**Chen**

(10) **Patent No.:** **US D920,338 S**

(45) **Date of Patent:** **\*\* May 25, 2021**

(54) **TABLET STAND**

(71) Applicant: **DONGGUAN ANJU ELECTRONIC TECHNOLOGY CO., LTD.**,  
Dongguan (CN)

(72) Inventor: **Shaolian Chen**, Dongguan (CN)

(73) Assignee: **DONGGUAN ANJU ELECTRONIC TECHNOLOGY CO., LTD.**,  
Dongguan (CN)

(\*\*) Term: **15 Years**

(21) Appl. No.: **29/738,002**

(22) Filed: **Jun. 13, 2020**

(51) **LOC (13) Cl.** ..... **08-07**

(52) **U.S. Cl.**  
USPC ..... **D14/447**

(58) **Field of Classification Search**  
USPC ..... D14/447, 432, 434, 439, 440, 451, 452,  
D14/457, 239, 253; D8/363, 373, 380;  
D6/406.3, 406.4, 406.5, 406.6; D12/415  
CPC ..... A47B 21/04; A47B 2097/006; A47B  
2097/005; A47B 2023/049; A45C  
2011/002; A45C 2011/003; F16M  
2200/00; F16M 13/00  
See application file for complete search history.

(56) **References Cited**

**U.S. PATENT DOCUMENTS**

D589,964 S *	4/2009	Heggland	.....	D14/434
D640,707 S	6/2011	Yeh		
D646,903 S	10/2011	Santana		
D667,012 S *	9/2012	Chen	.....	D14/447
D676,853 S *	2/2013	Gengler	.....	D14/447
D678,886 S *	3/2013	Heckler	.....	D14/447
D693,352 S	11/2013	Gelsomini et al.		
D693,824 S	11/2013	Erdfarb		
D697,919 S	1/2014	Gelsomini		

D705,785 S *	5/2014	Wang	.....	D14/447
D724,598 S	3/2015	Gelsomini		
D726,733 S	4/2015	Specht et al.		
D733,155 S *	6/2015	van Hooft	.....	D14/447
D746,292 S *	12/2015	Heckler	.....	D14/447
D752,595 S	3/2016	Heckler		
D754,135 S	4/2016	Cromack et al.		
D798,871 S	10/2017	Avganim		
D825,573 S *	8/2018	Belitz	.....	D14/447
D834,028 S *	11/2018	Wu	.....	D14/447
D880,471 S *	4/2020	Yoo	.....	D14/253
D884,711 S	5/2020	Zhang et al.		
D886,051 S	6/2020	Chen		
D903,689 S *	12/2020	Zheng	.....	D14/447

(Continued)

*Primary Examiner* — Angela J Lee

(74) *Attorney, Agent, or Firm* — Law Offices of Steven W. Weinrieb

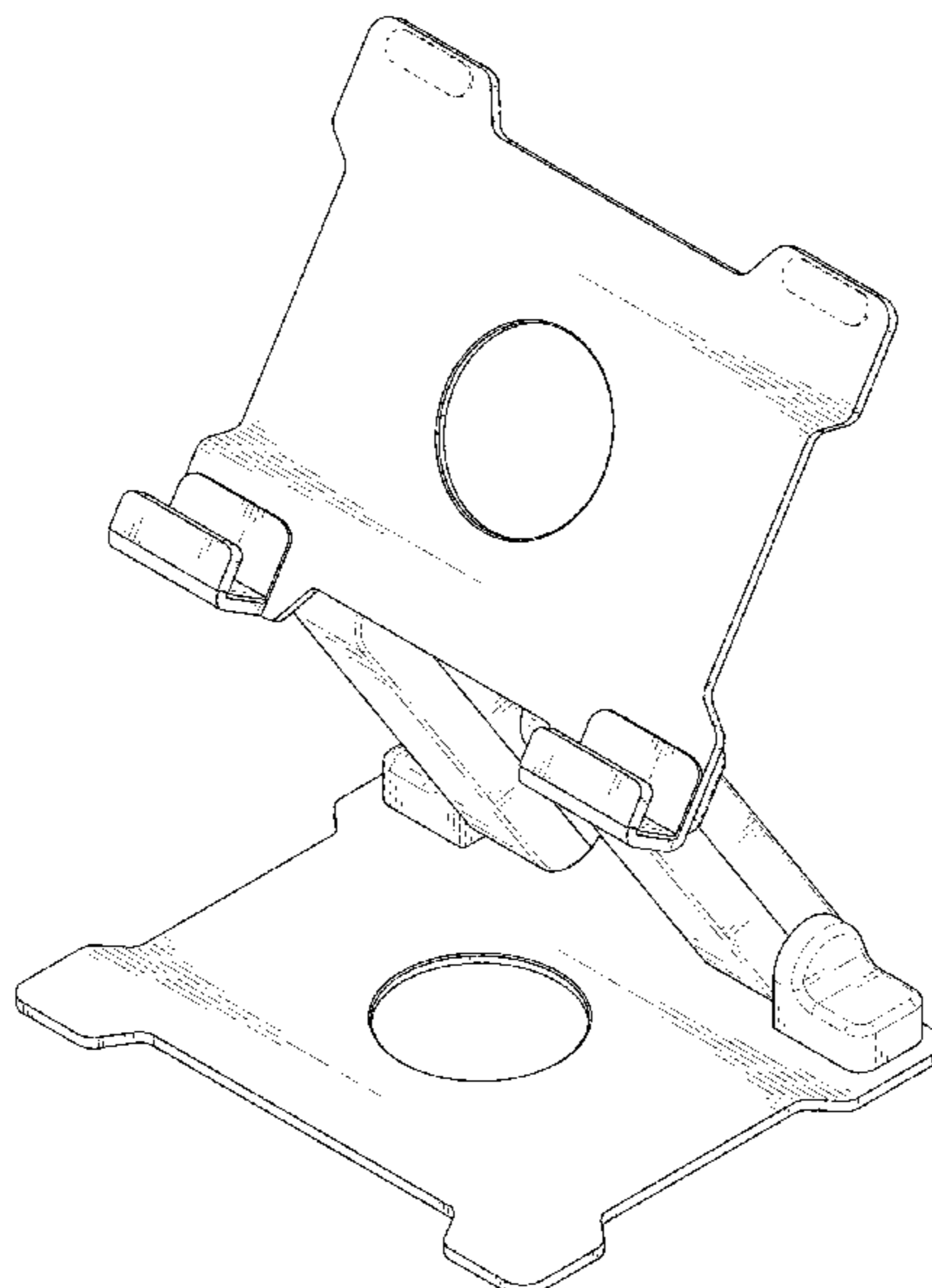
(57) **CLAIM**

The ornamental design for a tablet stand, as shown and described.

**DESCRIPTION**

FIG. 1 is a front, right side, top perspective view of a tablet stand showing my new design;  
FIG. 2 is a rear, left side, bottom perspective view thereof;  
FIG. 3 is a front elevational view thereof;  
FIG. 4 is a rear elevational view thereof;  
FIG. 5 is a left side elevational view thereof;  
FIG. 6 is a right side elevational view thereof;  
FIG. 7 is a top plan view thereof;  
FIG. 8 is a bottom plan view thereof;  
FIG. 9 is a front, right side, top plan view thereof showing the tablet stand in a partially collapsed state; and,  
FIG. 10 is a front, right side, top plan view thereof showing the tablet stand in a fully collapsed state.  
The broken lines depict portions of the tablet stand that form no part of the claimed design.

**1 Claim, 10 Drawing Sheets**



(56)

**References Cited**

U.S. PATENT DOCUMENTS

D907,640 S \* 1/2021 Huang ..... D14/447  
D907,644 S \* 1/2021 Li ..... D14/447

\* cited by examiner

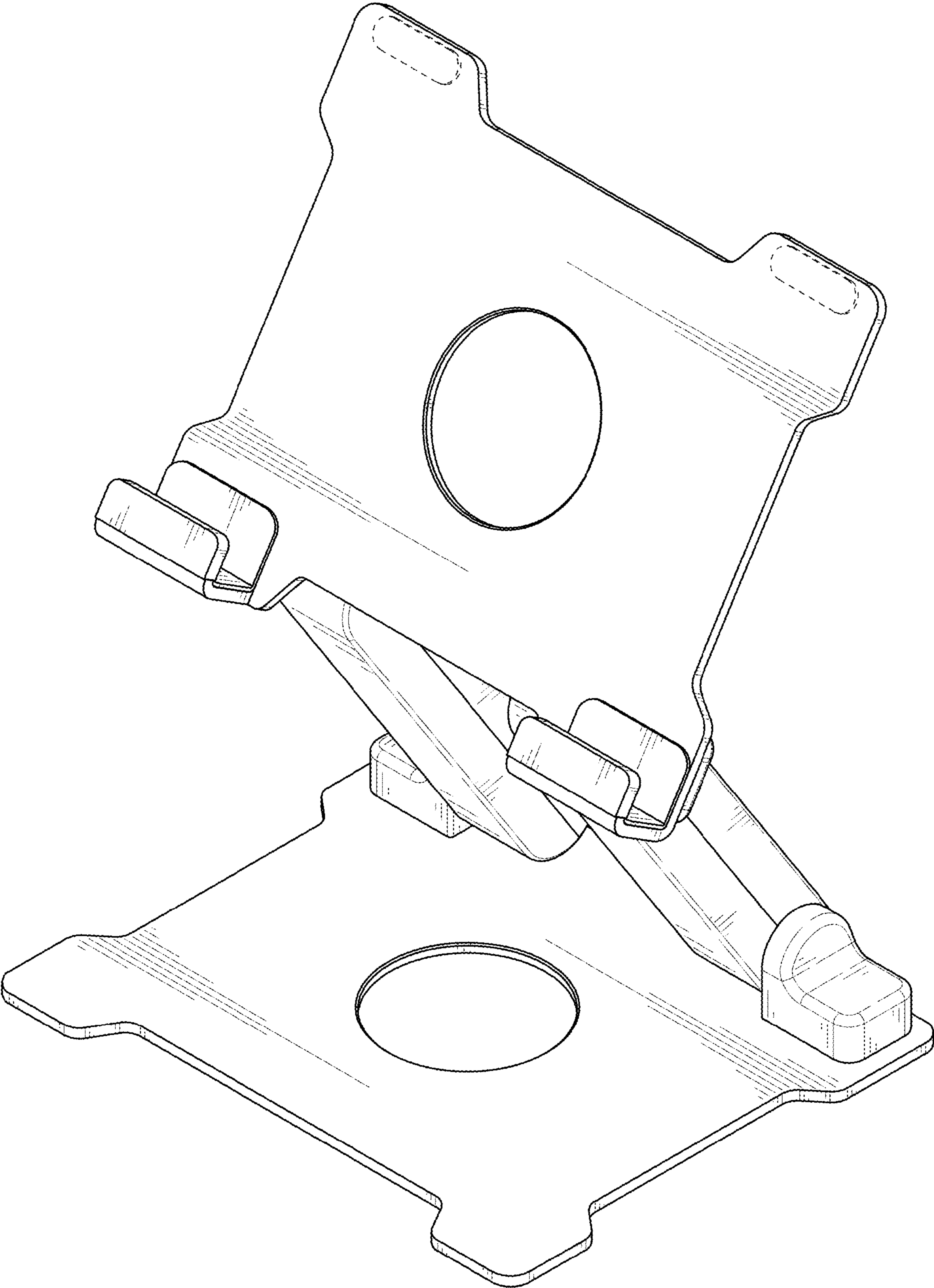


FIG. 1

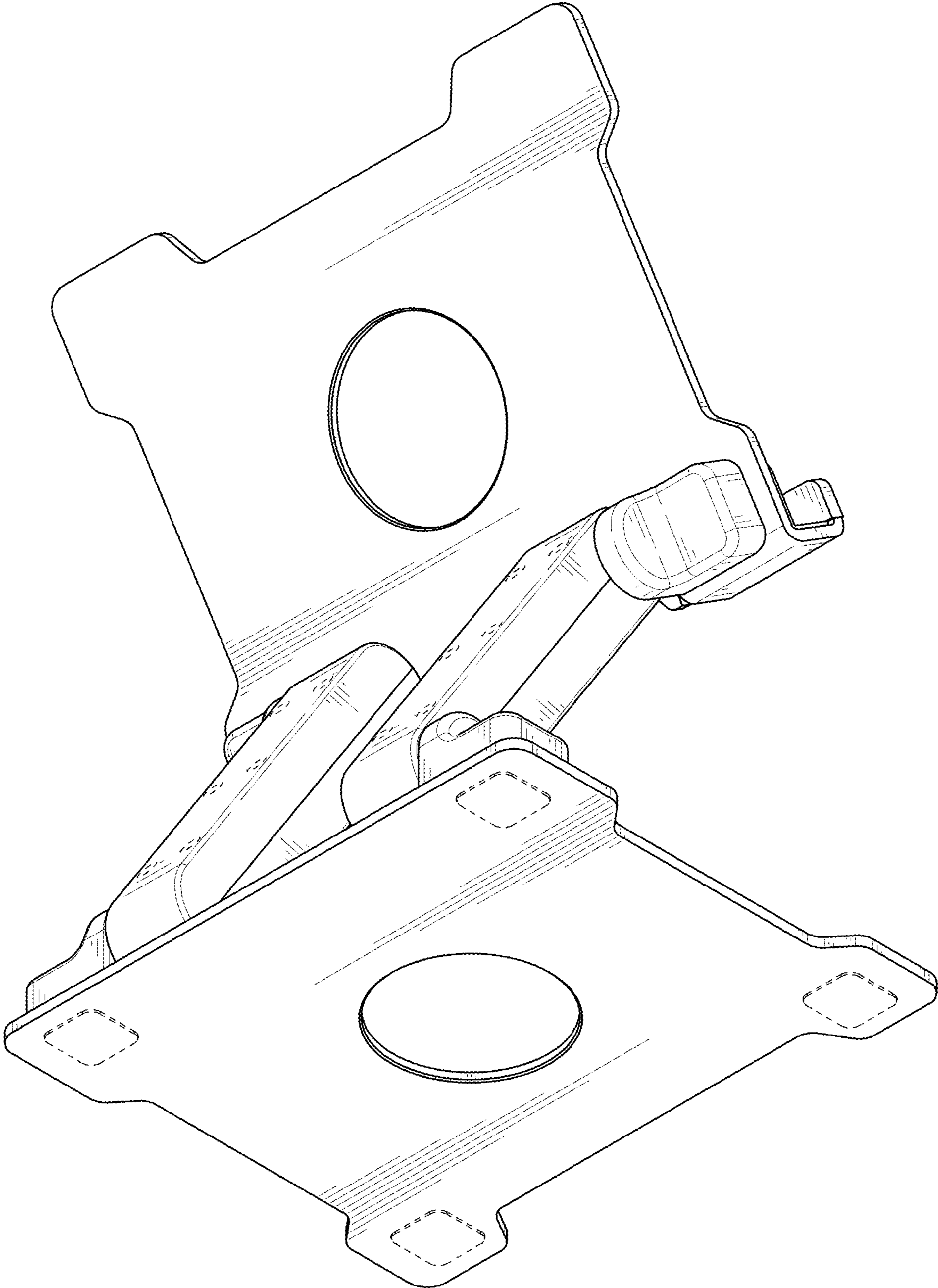


FIG. 2



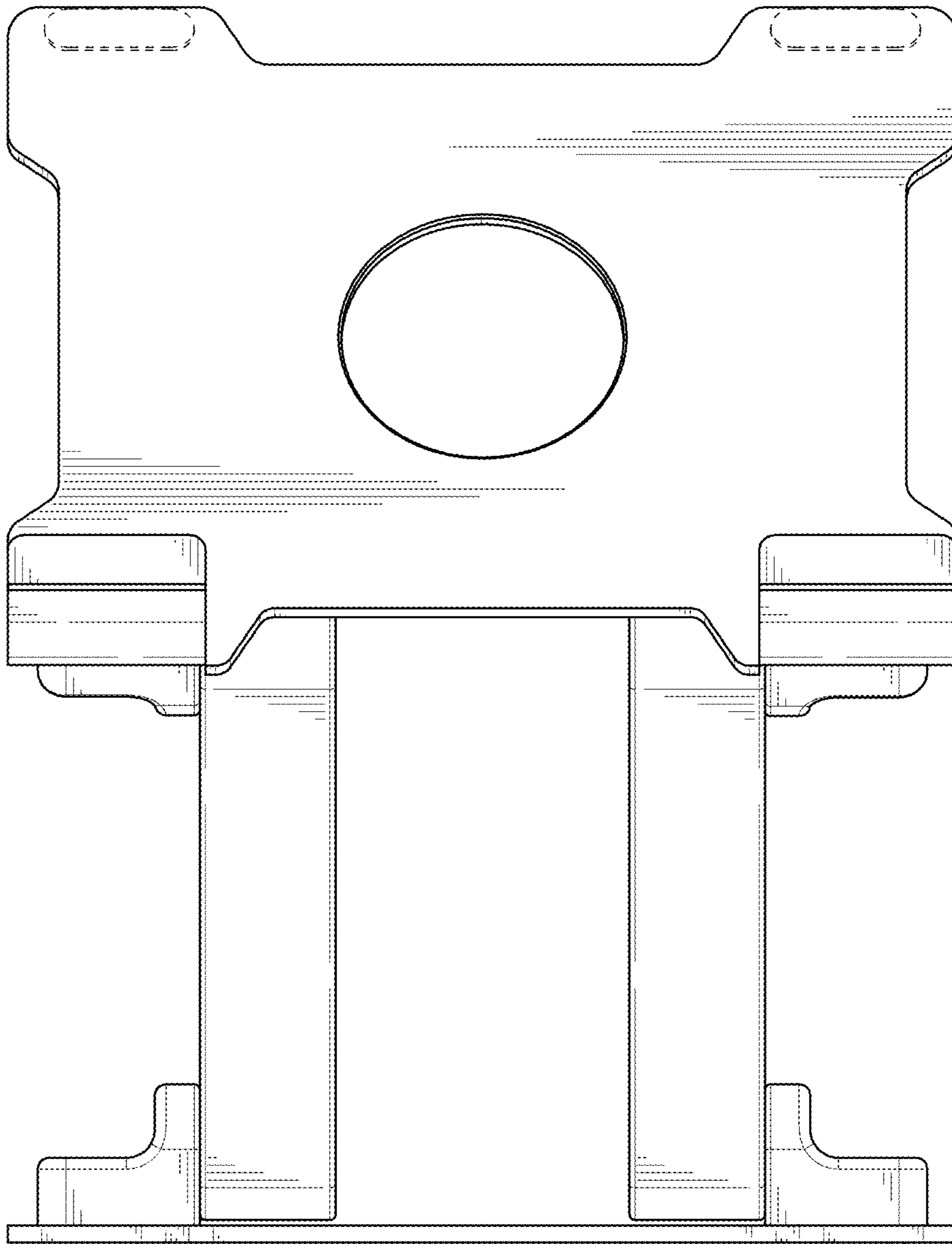


FIG. 3

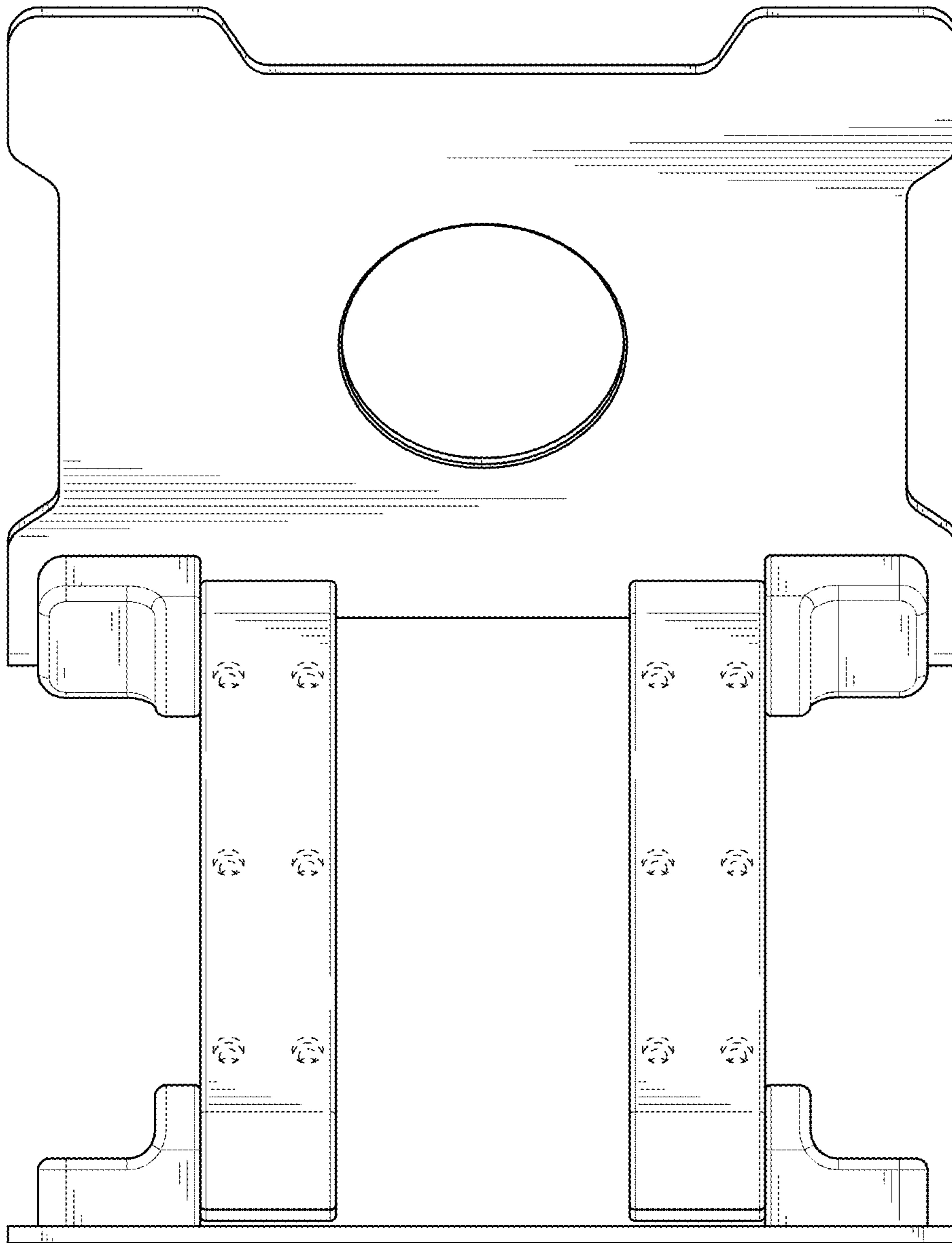


FIG. 4

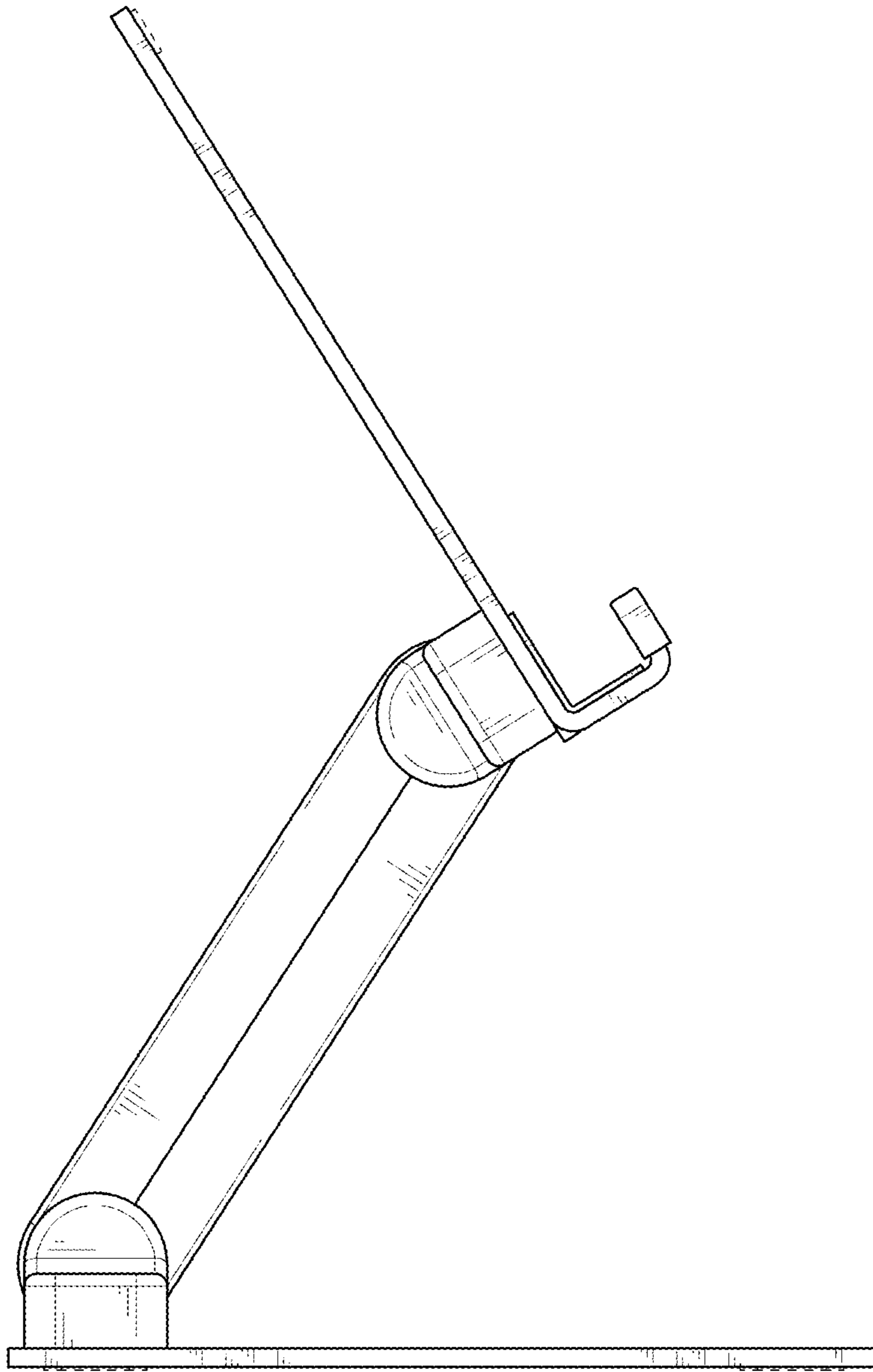


FIG. 5

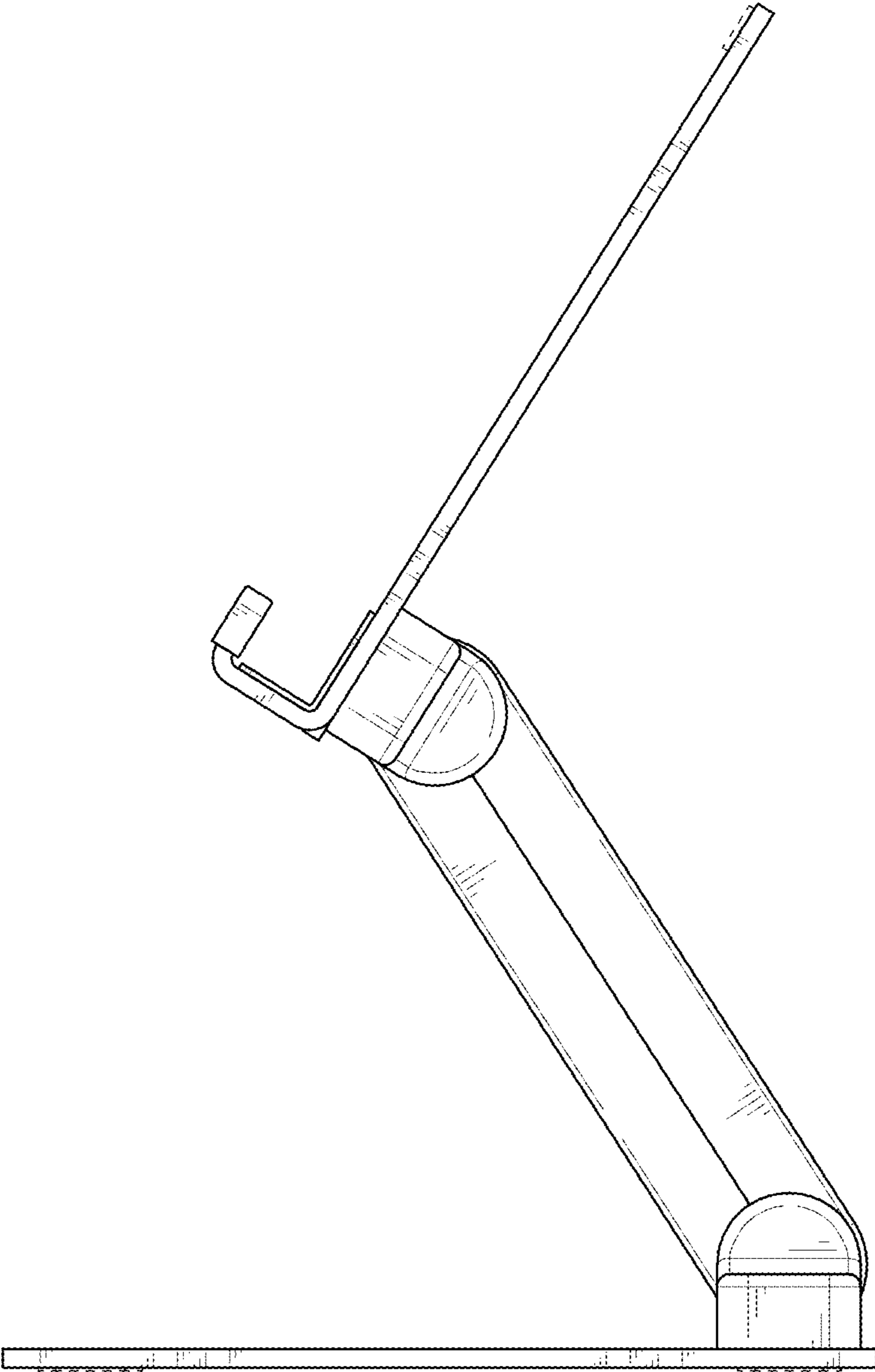


FIG. 6



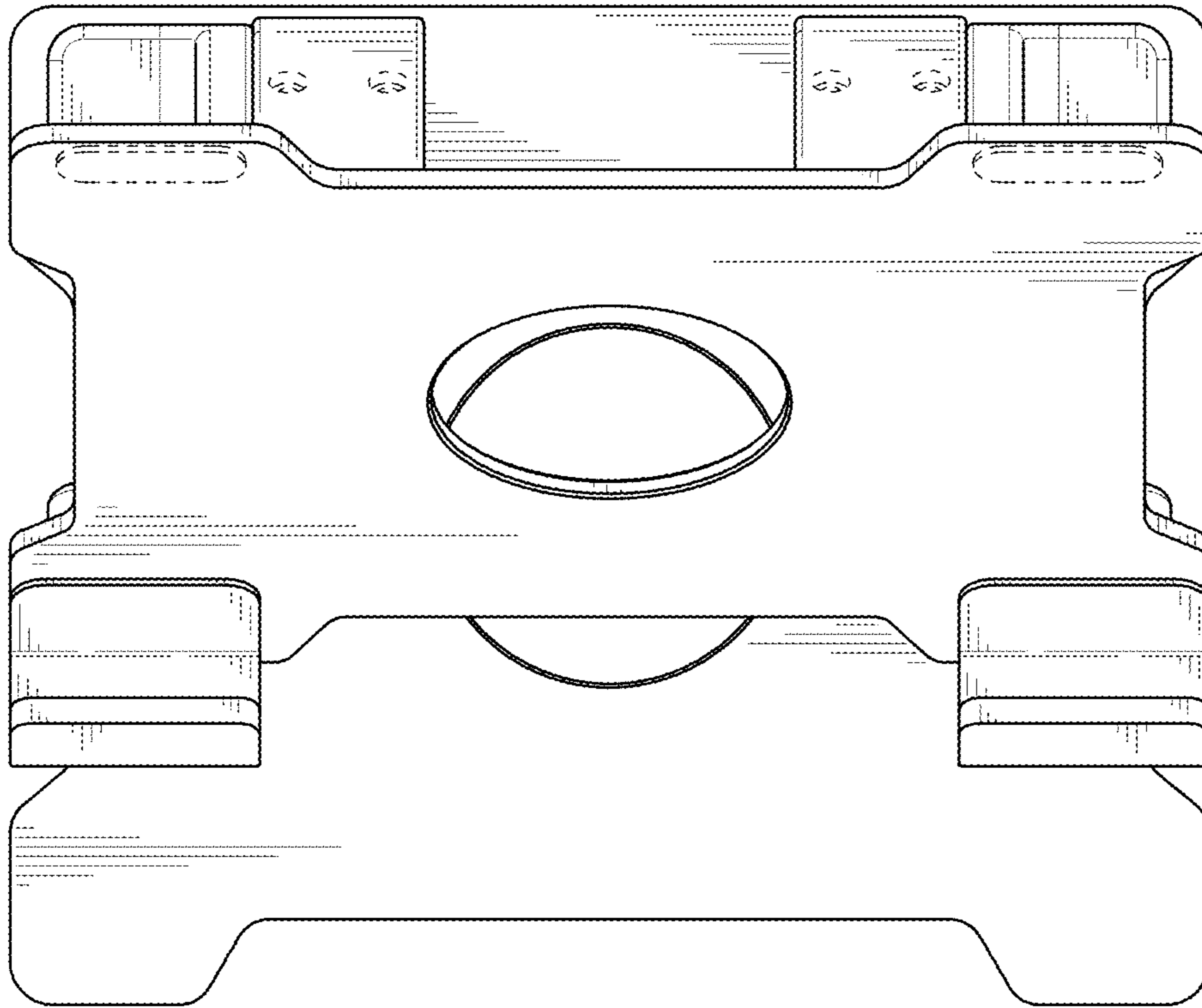


FIG. 7

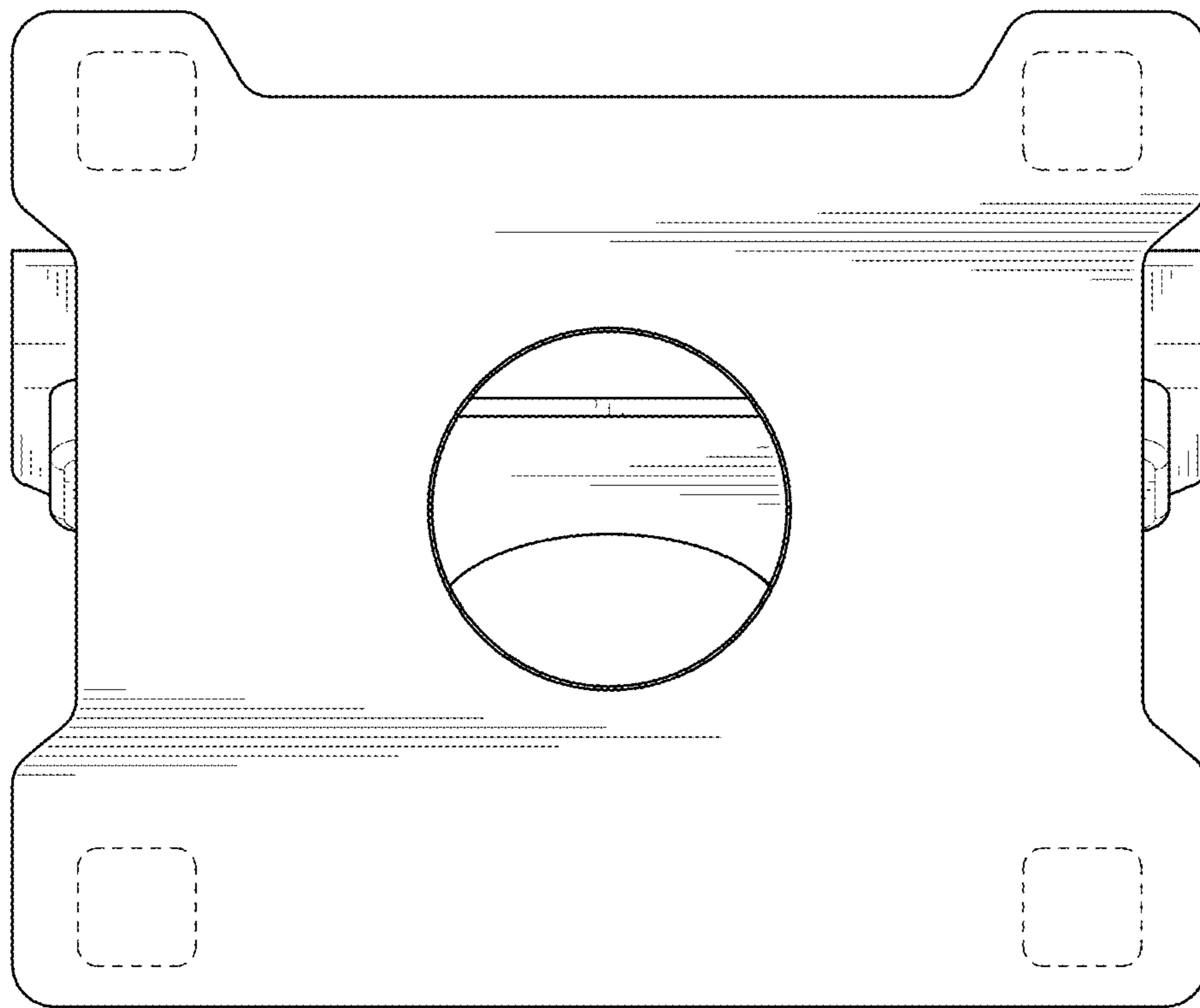


FIG. 8

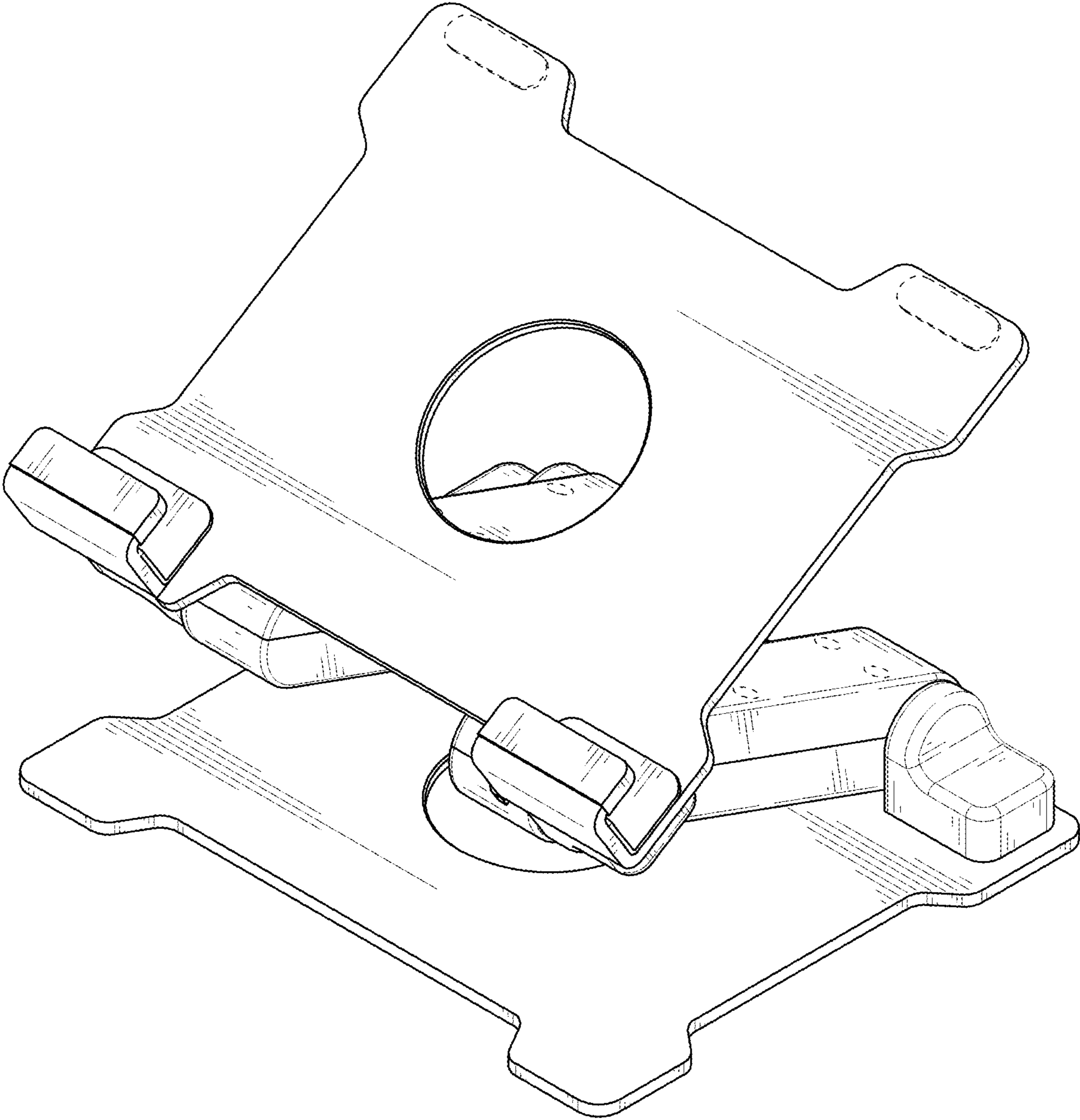


FIG. 9

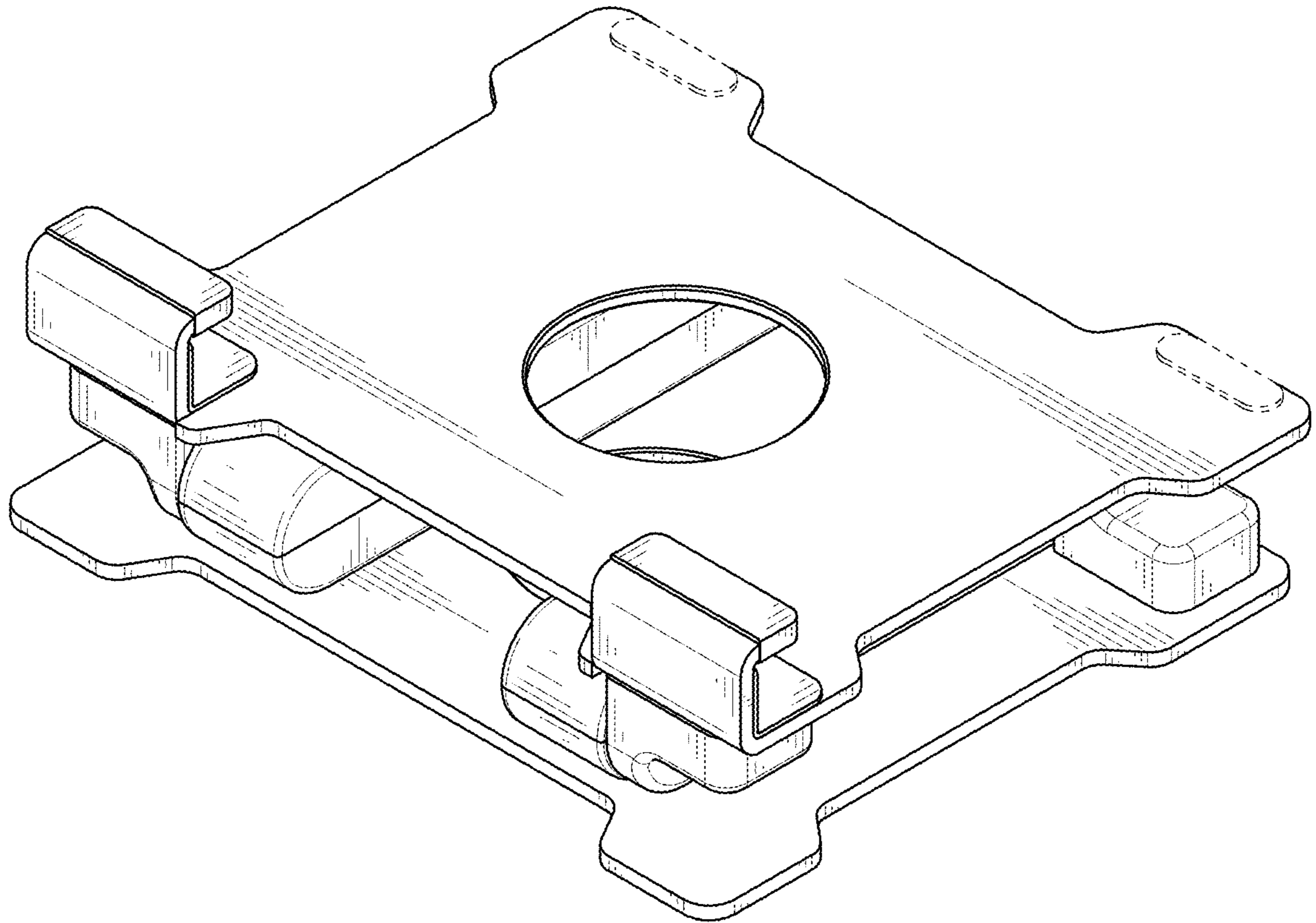


FIG. 10