

US00D920336S

(12) **United States Design Patent**  
**Cheng**

(10) **Patent No.:** **US D920,336 S**

(45) **Date of Patent:** **\*\* May 25, 2021**

(54) **IPAD CASE**

(71) Applicant: **Shaogang Cheng**, Anhui (CN)

(72) Inventor: **Shaogang Cheng**, Anhui (CN)

(\*\*) Term: **15 Years**

(21) Appl. No.: **29/716,920**

(22) Filed: **Dec. 12, 2019**

(51) **LOC (13) Cl.** ..... **14-02**

(52) **U.S. Cl.**  
USPC ..... **D14/440**

(58) **Field of Classification Search**  
USPC ..... D14/440, 447, 250; 206/45.23, 320,  
206/45.2; 361/679.55; 294/25; 224/218  
CPC ..... G06F 1/1628; G06F 1/1626; G06F 1/699;  
A47B 23/044; H04B 1/3888  
See application file for complete search history.

D770,458 S *	11/2016	Corcoran	.....	D14/440
D771,030 S *	11/2016	Tussy	.....	D14/250
D772,288 S *	11/2016	Montes	.....	D14/489
D775,198 S *	12/2016	Montes	.....	D14/489
D794,626 S *	8/2017	Armstrong	.....	D14/250
D806,082 S *	12/2017	Armstrong	.....	D14/440
D811,412 S *	2/2018	McCurdy	.....	D14/440
D832,269 S *	10/2018	Cheng	.....	D14/440
D832,271 S *	10/2018	Cheng	.....	D14/440
10,148,307 B2 *	12/2018	Shannon, III	.....	G06F 1/1628
D843,377 S *	3/2019	Tang	.....	D14/440
D844,621 S *	4/2019	Chen	.....	D14/440
D851,648 S *	6/2019	Tan	.....	D14/440
D852,203 S *	6/2019	Rui	.....	D14/440
D852,802 S *	7/2019	Gao	.....	D14/440
D861,665 S *	10/2019	Li	.....	D14/250
D868,071 S *	11/2019	Liu	.....	D14/440
D868,788 S *	12/2019	Weng	.....	D14/440
D868,789 S *	12/2019	Weng	.....	D14/440
D868,791 S *	12/2019	Weng	.....	D14/440
D872,093 S *	1/2020	Xu	.....	D14/440

(Continued)

Primary Examiner — Cynthia R Underwood

(56) **References Cited**

**U.S. PATENT DOCUMENTS**

6,726,070 B2 *	4/2004	Lautner	.....	A44C 5/0007 224/221
D597,052 S *	7/2009	Kim	.....	D14/138 AB
D634,314 S *	3/2011	Fahrendorff	.....	D14/250
D649,144 S *	11/2011	Fathollahi	.....	D14/250
D685,358 S *	7/2013	Armstrong	.....	D14/250
D685,786 S *	7/2013	Seoc	.....	D14/353
D690,292 S *	9/2013	Bibla	.....	D14/250
8,690,210 B1 *	4/2014	May	.....	G06F 1/163 294/25
D715,785 S *	10/2014	Jacob	.....	D14/250
D719,144 S *	12/2014	Eulette	.....	D14/250
D721,686 S *	1/2015	Jacob	.....	D14/250
D733,154 S *	6/2015	Armstrong	.....	D14/440
D733,696 S *	7/2015	Burgett	.....	D14/250
D742,869 S *	11/2015	Odhwani	.....	D14/250
D749,592 S *	2/2016	Huang	.....	D14/440
D768,123 S *	10/2016	Armstrong	.....	D14/250

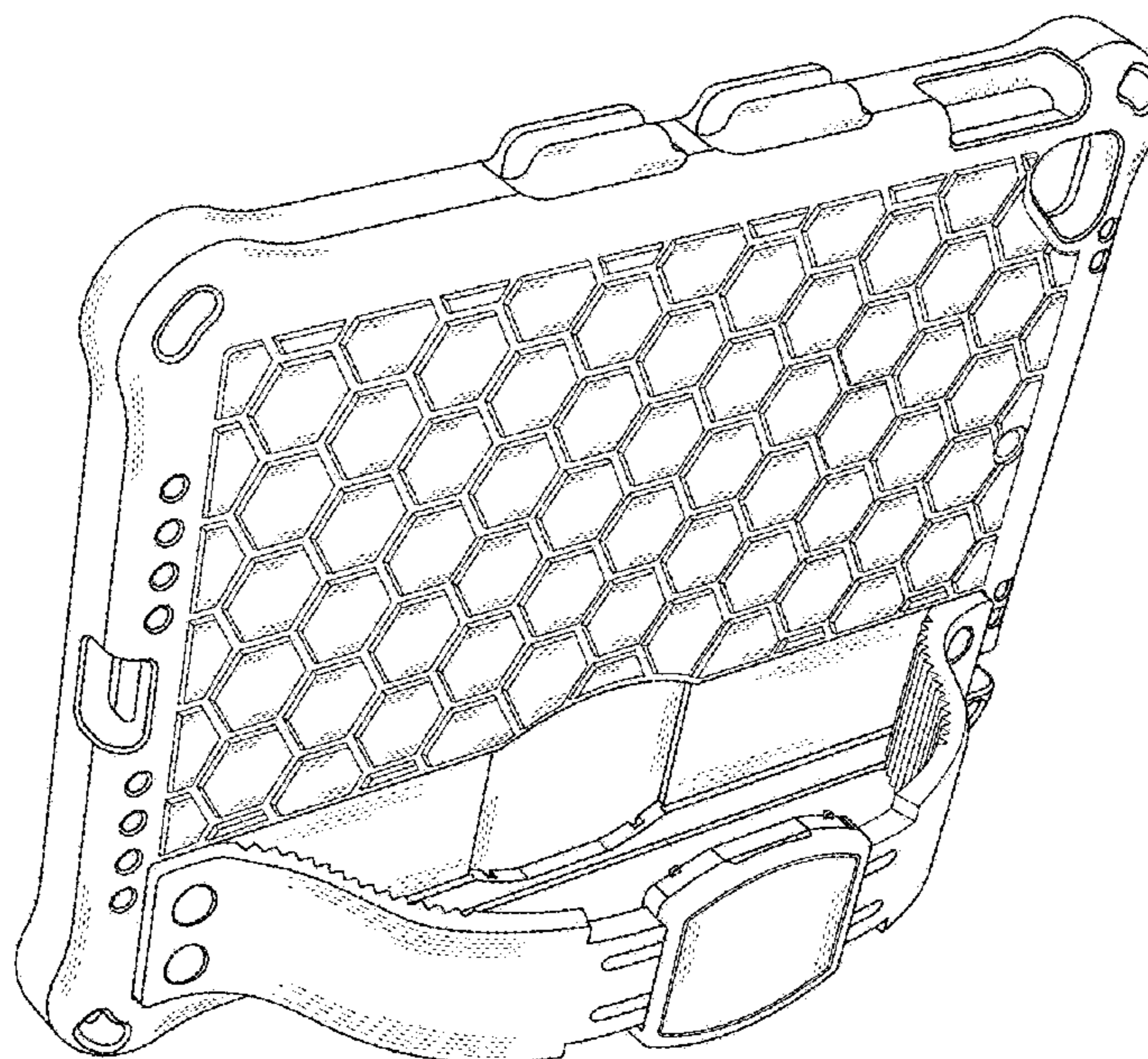
(57) **CLAIM**

The ornamental design for an ipad case, as shown and described.

**DESCRIPTION**

FIG. 1 is a front elevation view of an ipad case showing my new design;  
FIG. 2 is a rear elevation view thereof;  
FIG. 3 is a left side elevation view thereof;  
FIG. 4 is a right side elevation view thereof;  
FIG. 5 is a top plan view thereof;  
FIG. 6 is a bottom plan view thereof;  
FIG. 7 is a front and bottom perspective view thereof;  
FIG. 8 is a rear perspective view thereof; and,  
FIG. 9 is a perspective view thereof, showing a using state.

**1 Claim, 9 Drawing Sheets**



(56)

**References Cited**

U.S. PATENT DOCUMENTS

D875,089 S \* 2/2020 Hemesath ..... D14/250  
 D879,790 S \* 3/2020 Donachy ..... D14/444  
 D885,399 S \* 5/2020 Chen ..... D14/440  
 D892,803 S \* 8/2020 Armstrong ..... D14/440  
 D898,747 S \* 10/2020 Deng ..... D14/440  
 D906,337 S \* 12/2020 Cheng ..... D14/440  
 D909,390 S \* 2/2021 Kim ..... D14/440  
 2004/0226973 A1\* 11/2004 Kao ..... G06F 1/163  
 224/218  
 2007/0215512 A1\* 9/2007 Bellissimo ..... A47G 23/0625  
 206/557  
 2009/0219677 A1\* 9/2009 Mori ..... A45F 5/00  
 361/679.03  
 2011/0267748 A1\* 11/2011 Lane ..... A45F 5/00  
 361/679.01  
 2011/0297566 A1\* 12/2011 Gallagher ..... F16M 11/2021  
 206/320

2011/0309117 A1\* 12/2011 Roberts ..... H04M 1/04  
 224/217  
 2012/0091312 A1\* 4/2012 Baker ..... F16M 13/04  
 248/682  
 2014/0054910 A1\* 2/2014 Kim ..... H04B 1/3888  
 294/158  
 2014/0152034 A1\* 6/2014 Tussy ..... F16M 11/10  
 294/142  
 2015/0009610 A1\* 1/2015 London ..... G06F 1/163  
 361/679.03  
 2015/0201743 A1\* 7/2015 Erickson-Davis ..... H04B 1/385  
 224/218  
 2019/0142992 A1\* 5/2019 Davidson ..... C08G 18/10  
 424/445  
 2019/0144163 A1\* 5/2019 Lim ..... B65D 19/385  
 108/53.5  
 2019/0149808 A1\* 5/2019 Ng ..... H04N 13/327  
 348/59  
 2019/0275714 A1\* 9/2019 Kanoh ..... B29C 45/14065

\* cited by examiner

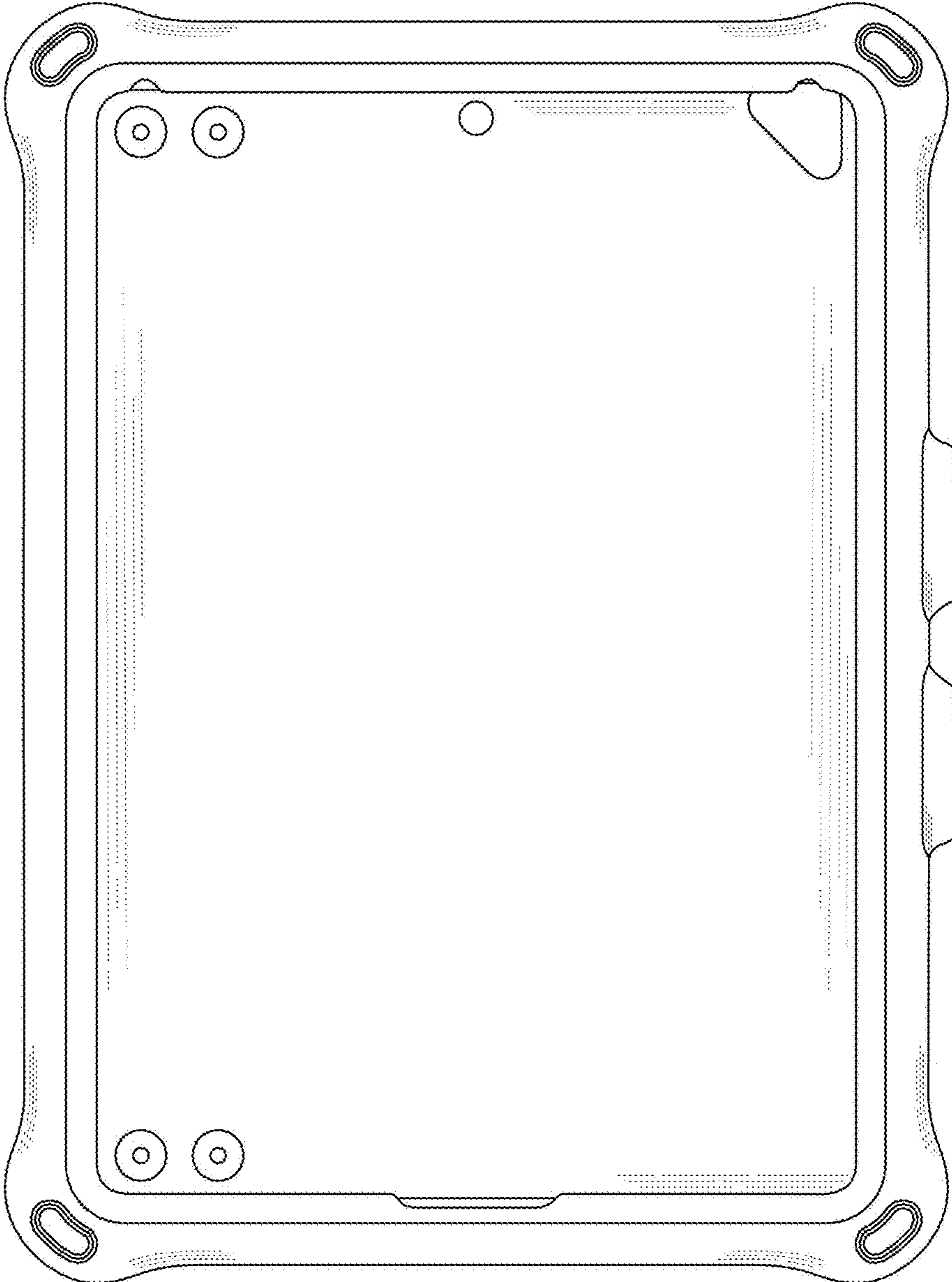


FIG.1



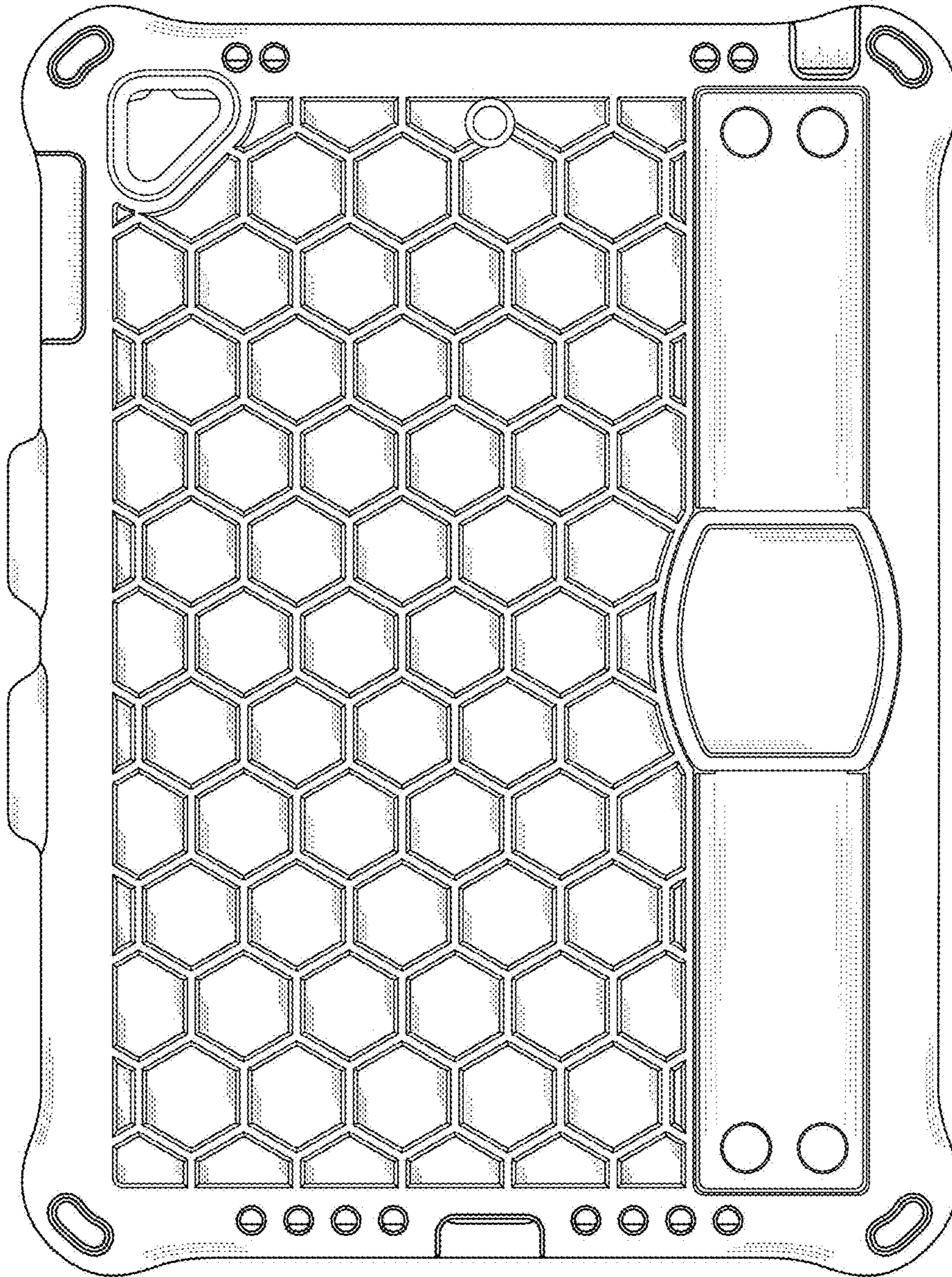


FIG.2

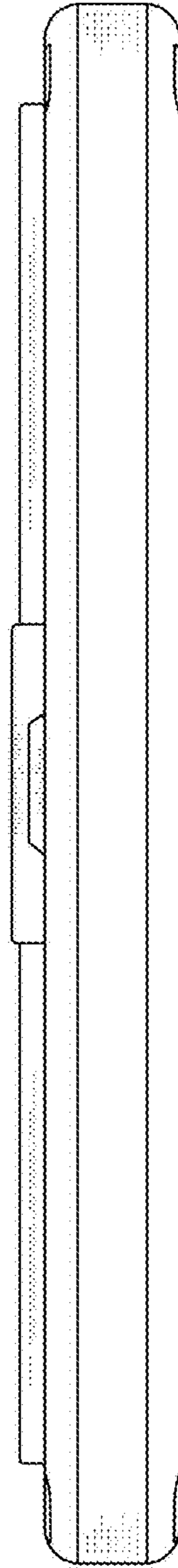


FIG.3

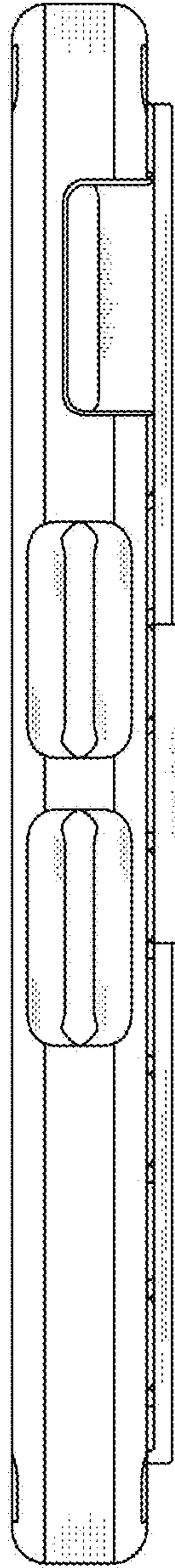


FIG.4

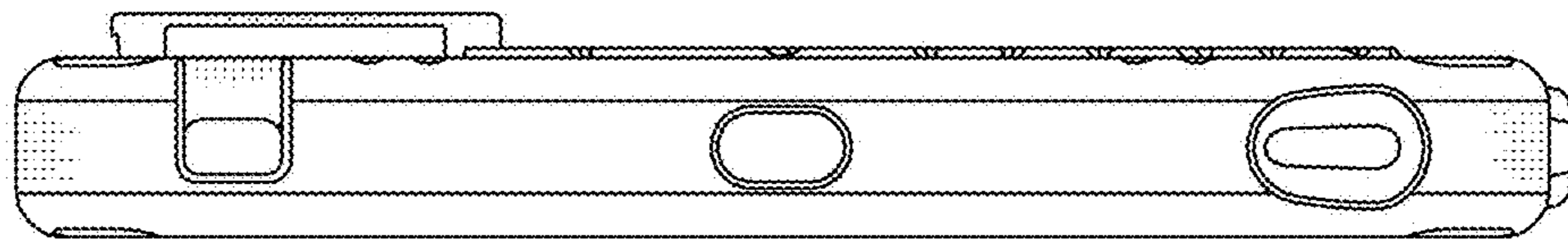


FIG.5

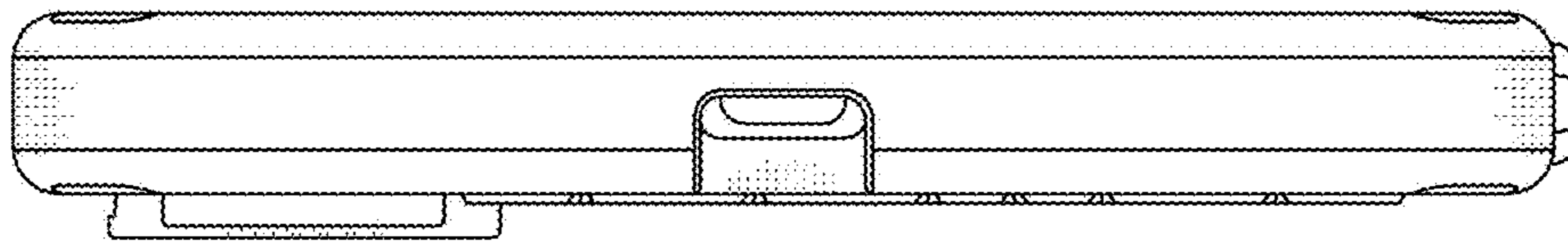


FIG.6



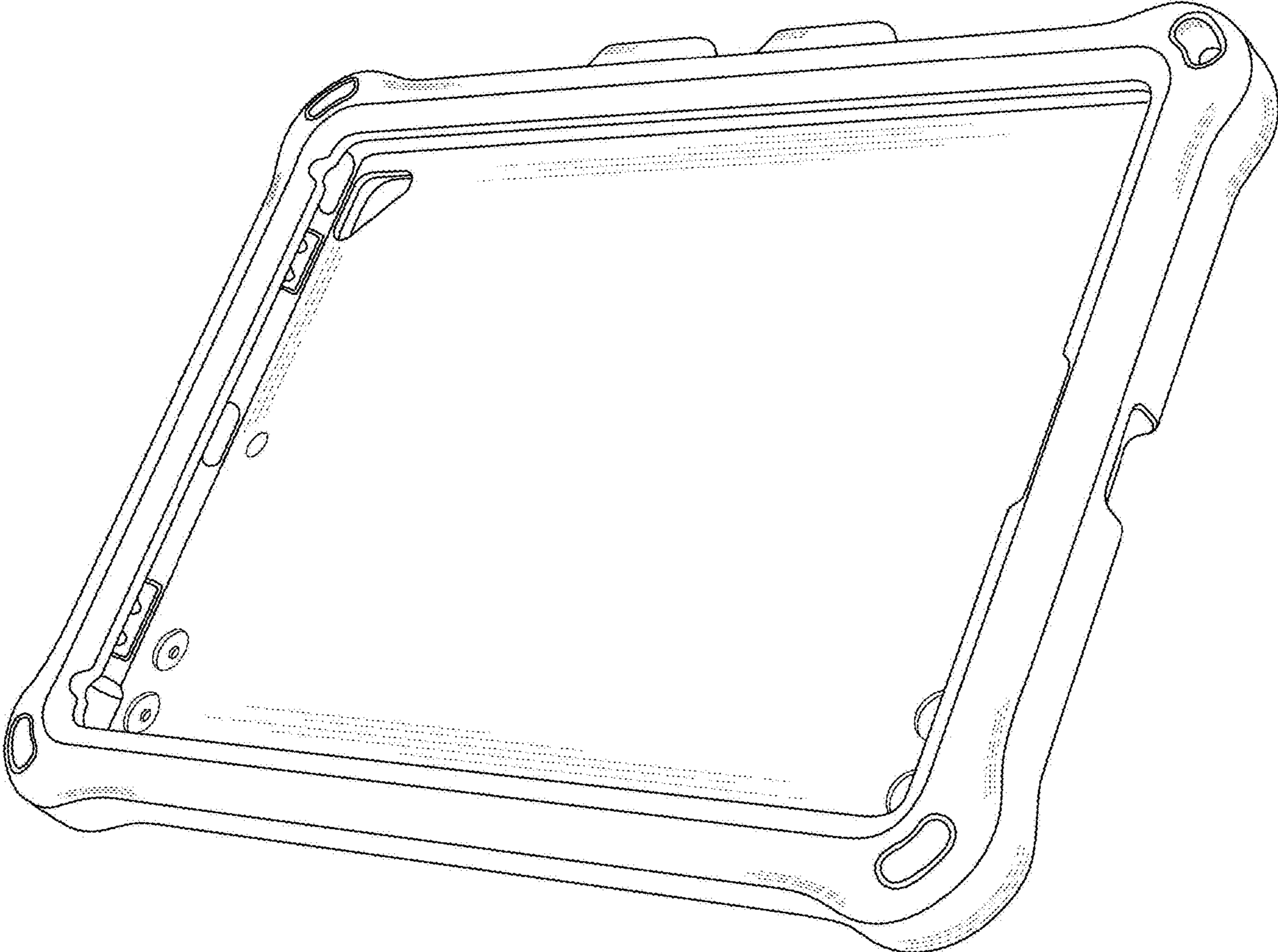


FIG. 7

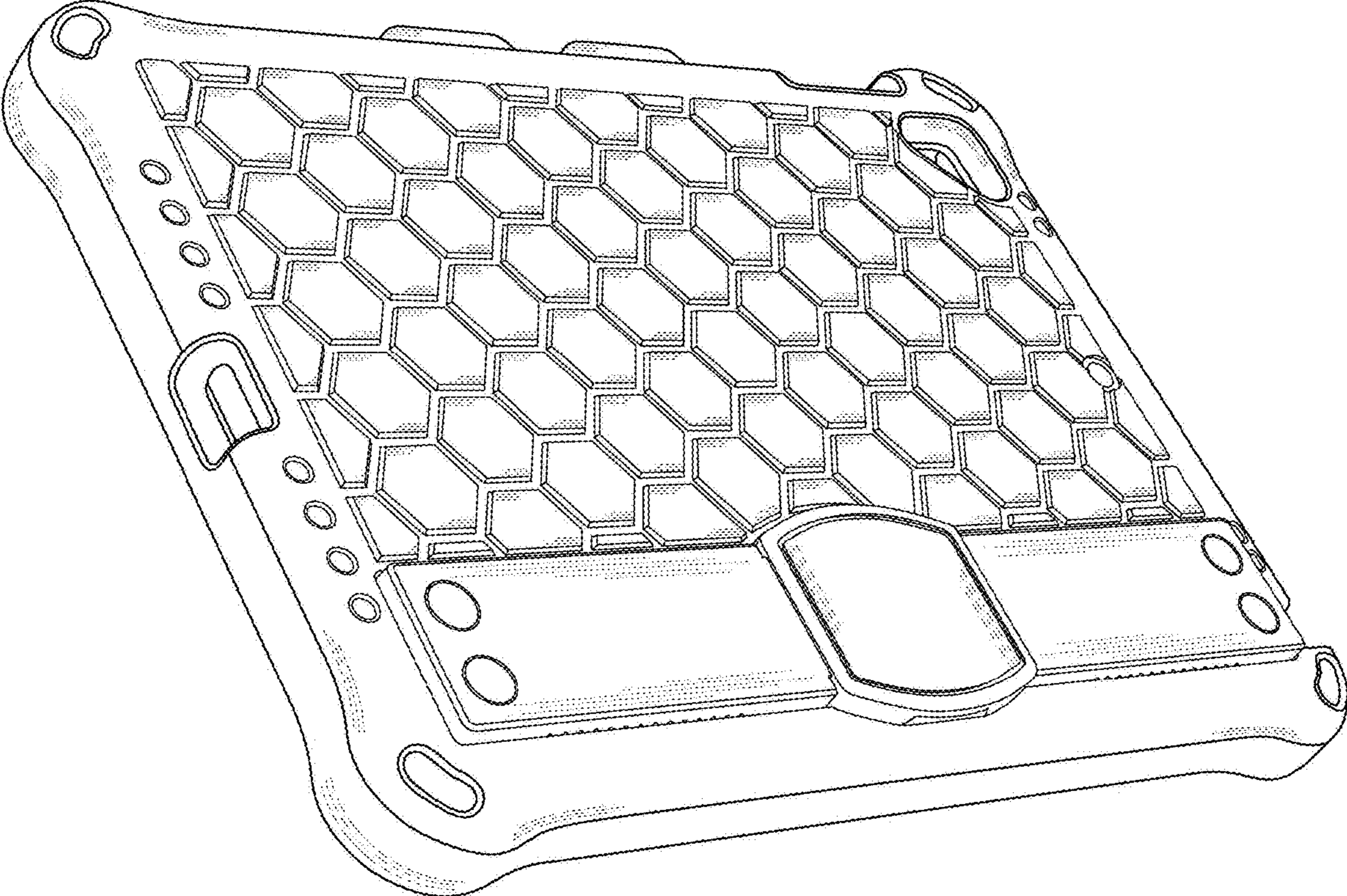


FIG. 8



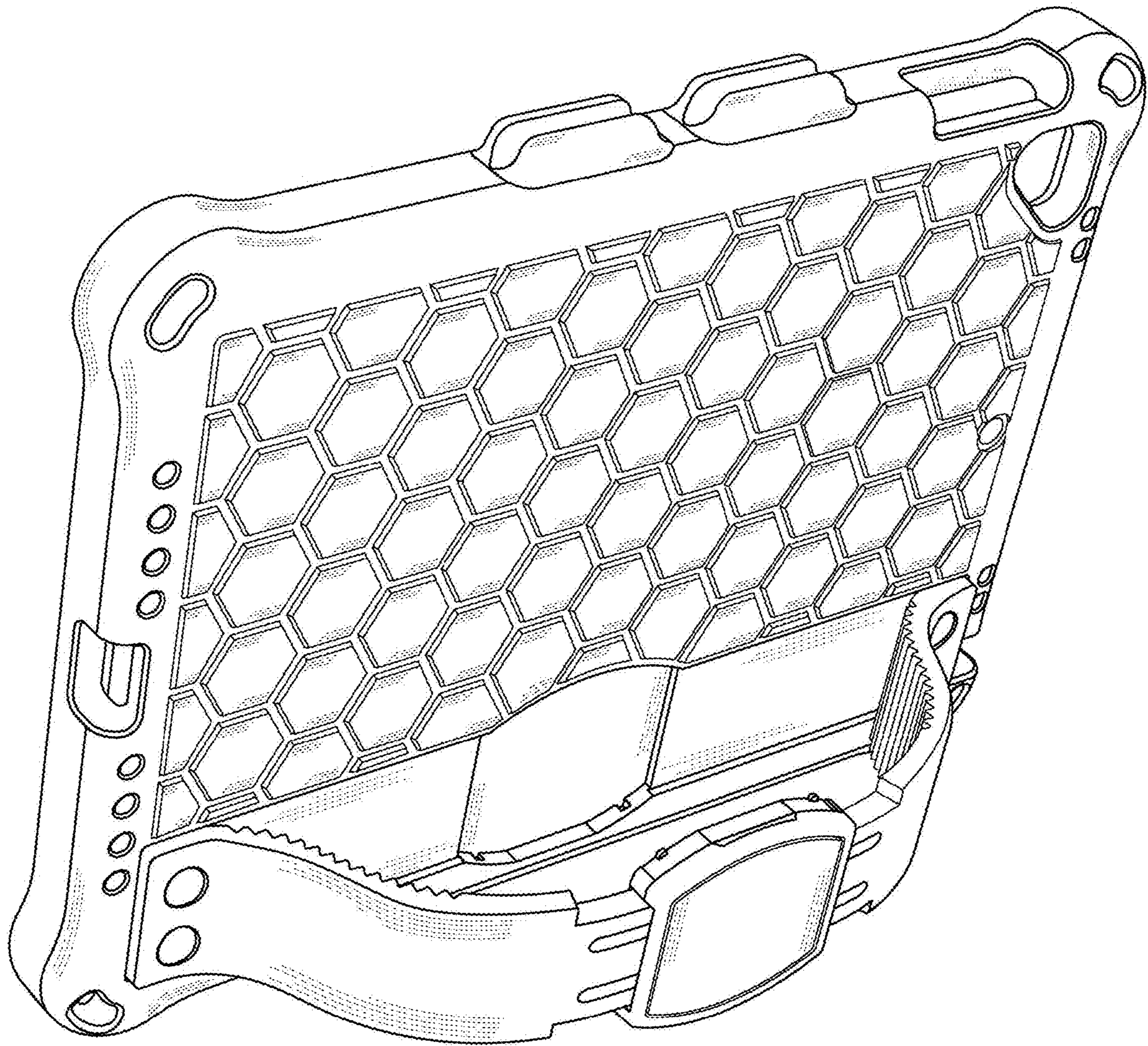


FIG. 9