



US00D920334S

(12) **United States Design Patent** (10) **Patent No.:** **US D920,334 S**
Akana et al. (45) **Date of Patent:** **** *May 25, 2021**

(54) **FRONT COVER OF AN ELECTRONIC DEVICE**

(75) Inventors: **Jody Akana**, San Francisco, CA (US); **Bartley K. Andre**, Menlo Park, CA (US); **Jeremy Bataillou**, San Francisco, CA (US); **Daniel J. Coster**, San Francisco, CA (US); **Daniele De Iuliis**, San Francisco, CA (US); **Evans Hankey**, San Francisco, CA (US); **Richard P. Howarth**, San Francisco, CA (US); **Jonathan P. Ive**, San Francisco, CA (US); **Steve Jobs**, Palo Alto, CA (US); **Duncan Robert Kerr**, San Francisco, CA (US); **Nicholas George LeBreton Merz**, San Francisco, CA (US); **Pinida Jan Moolsintong**, San Francisco, CA (US); **Scott A. Myers**, San Francisco, CA (US); **Shin Nishibori**, Portola Valley, CA (US); **Matthew Dean Rohrbach**, San Francisco, CA (US); **Peter Russell-Clarke**, San Francisco, CA (US); **Christopher J. Stringer**, Woodside, CA (US); **Tang Yew Tan**, San Francisco, CA (US); **Eugene Antony Whang**, San Francisco, CA (US); **Michael Benjamin Wittenberg**, Sunnyvale, CA (US); **Rico Zorkendorfer**, San Francisco, CA (US)

(73) Assignee: **Apple Inc.**, Cupertino, CA (US)

(*) Notice: This patent is subject to a terminal disclaimer.

(**) Term: **14 Years**

(21) Appl. No.: **29/384,914**

(22) Filed: **Feb. 4, 2011**

(51) **LOC (13) Cl.** **14-02**

(52) **U.S. Cl.**
USPC **D14/439**

(58) **Field of Classification Search**
USPC D14/341-347, 424, 425, 432-453, 464, D14/468, 469, 471, 496, 511, 138 AA,
(Continued)

(56) **References Cited**

U.S. PATENT DOCUMENTS

D306,583 S 3/1990 Krolopp et al.
D489,071 S * 4/2004 Nishioka et al. D14/448
D489,072 S * 4/2004 Nishioka et al. D14/448
D489,073 S * 4/2004 Nishioka et al. D14/448
D489,074 S * 4/2004 Nishioka et al. D14/448
(Continued)

FOREIGN PATENT DOCUMENTS

TW D139493 3/2011

OTHER PUBLICATIONS

Co-pending U.S. Appl. No. 29/353,311, Inventors Akana et al., filed Jan. 6, 2010 (Not Published).
(Continued)

Primary Examiner — Deanna L Pratt
(74) *Attorney, Agent, or Firm* — Sterne, Kessler, Goldstein & Fox P.L.L.C.

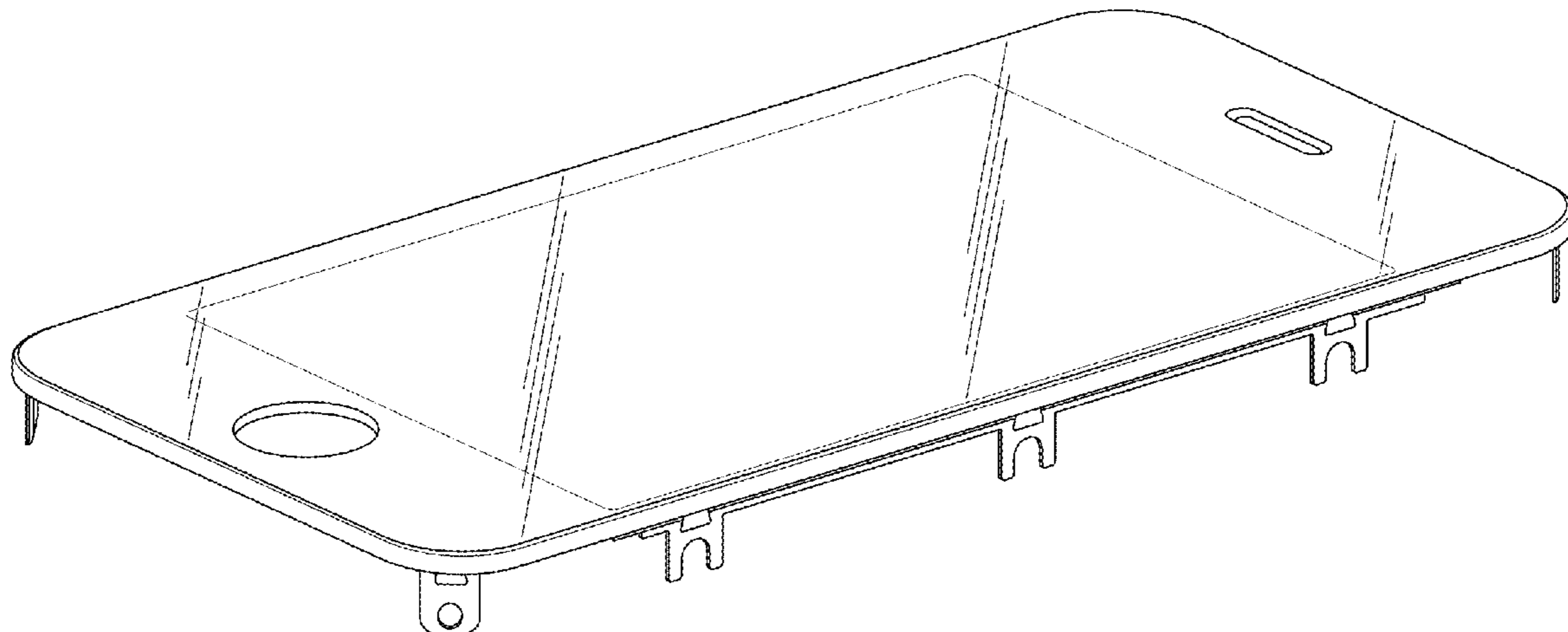
(57) **CLAIM**

The ornamental design for a front cover of an electronic device, as shown and described.

DESCRIPTION

FIG. 1 is a bottom front perspective view of a front cover of an electronic device showing our new design;
FIG. 2 is a front view thereof;
FIG. 3 is a rear view thereof;
FIG. 4 is a left side view thereof;
FIG. 5 is a right side view thereof;
FIG. 6 is a bottom view thereof; and,
FIG. 7 is a top view thereof.
The shade lines in the Figures show transparency and not surface ornamentation.

1 Claim, 5 Drawing Sheets



(58) **Field of Classification Search**

USPC ... D14/138 AD, 138 C, 138 G, 203.1–203.8,
D14/217, 238.1, 248, 250, 257, 299;
361/679.01, 679.02, 679.03, 679.3,
361/679.55, 679.56; 455/550.1, 556.1,
455/556.2, 575.1, 575.3–575.5, 575.8,
455/90.3
CPC G06F 1/1626; G06F 1/1637; G06F 1/1656
See application file for complete search history.

(56) **References Cited**

U.S. PATENT DOCUMENTS

D498,754 S 11/2004 Blyth
D500,037 S * 12/2004 Ozolins et al. D14/375
D528,542 S 9/2006 Luminosu et al.
D534,143 S 12/2006 Lheem
7,236,357 B2 * 6/2007 Chen 361/679.55
D558,726 S 1/2008 Wang et al.
D560,683 S 1/2008 Lee
D561,782 S 2/2008 Kim
D563,432 S * 3/2008 Kim D14/496
D567,819 S 4/2008 Devericks et al.
7,409,059 B2 8/2008 Fujisawa
D580,387 S 11/2008 Andre et al.
D581,385 S 11/2008 Park et al.
D581,922 S 12/2008 Andre et al.
D583,346 S 12/2008 Jung et al.
D593,087 S 5/2009 Andre et al.
D600,690 S * 9/2009 Miyaji D14/341
D602,014 S 10/2009 Andre et al.
D602,015 S * 10/2009 Andre et al. D14/341
D602,486 S * 10/2009 Andre et al. D14/341
D602,488 S 10/2009 Jiang et al.
D606,129 S * 12/2009 Ben-Moshe D21/517
7,660,560 B2 * 2/2010 Zuo et al. 455/90.3
D613,735 S 4/2010 Andre et al.
D613,736 S * 4/2010 Andre et al. D14/341
7,697,281 B2 * 4/2010 Dabov et al. 361/679.55
D615,083 S * 5/2010 Andre et al. D14/341
D616,875 S * 6/2010 Oh et al. D14/240
D618,678 S 6/2010 Andre et al.
D621,807 S * 8/2010 Stone D14/138 AA
D622,270 S * 8/2010 Andre et al. D14/341
D623,183 S * 9/2010 Hong et al. D14/341
D625,307 S 10/2010 Cheng
D626,937 S * 11/2010 Yeo et al. D14/203.7
D629,772 S * 12/2010 Mo et al. D14/138 G
D630,630 S * 1/2011 Andre et al. D14/341
7,869,206 B2 1/2011 Dabov et al.
7,876,274 B2 1/2011 Hobson et al.
D633,460 S * 3/2011 Yi et al. D14/138 G
D633,493 S 3/2011 Akana et al.
D633,908 S 3/2011 Akana et al.
D636,392 S * 4/2011 Akana et al. D14/341
7,924,231 B2 * 4/2011 Hill et al. 343/702
D637,596 S * 5/2011 Akana et al. D14/341
D638,814 S * 5/2011 Sutherland et al. D14/138 G
D638,835 S * 5/2011 Akana et al. D14/341
D639,261 S * 6/2011 Garnham et al. D14/138 G
D640,219 S * 6/2011 Sutherland et al. D14/138 G
D640,578 S * 6/2011 Aihara et al. D10/65
D640,661 S * 6/2011 Hu et al. D14/138 G
D640,663 S * 6/2011 Arnholt et al. D14/138 G
D642,151 S * 7/2011 Chun et al. D14/138 G
D642,563 S * 8/2011 Akana et al. D14/341
D644,194 S * 8/2011 Joung et al. D14/138 AD
D644,218 S * 8/2011 Akana et al. D14/341
D645,833 S * 9/2011 Seflic et al. D14/138 G
D647,106 S * 10/2011 Akana et al. D14/496
D647,882 S * 11/2011 Kim et al. D14/218
D648,704 S * 11/2011 Hofer et al. D14/203.7
D649,150 S * 11/2011 Takahashi et al. D14/341
D649,526 S * 11/2011 Hu D14/203.7
D652,814 S * 1/2012 Choi et al. D14/138 AD
8,102,319 B2 * 1/2012 Schlub et al. 343/702

8,106,836 B2 * 1/2012 Hill et al. 343/702
D653,640 S * 2/2012 Kwon et al. D14/138 G
D653,642 S * 2/2012 Han D14/138 AD
D654,461 S * 2/2012 Kim et al. D14/138 AD
8,116,073 B2 * 2/2012 Hung et al. 361/679.28
D657,764 S * 4/2012 Hong D14/138 G
D658,147 S * 4/2012 Yoon D14/138 G
D658,148 S * 4/2012 Park D14/138 AD
D662,922 S * 7/2012 Akana et al. D14/250
8,264,837 B2 * 9/2012 Pakula H05K 5/03
361/679.58
8,464,417 B2 * 6/2013 Merz G06F 1/1626
29/592.1
D697,511 S * 1/2014 Andre H05K 5/0247
D14/439
D703,633 S * 4/2014 Akana D14/138 R
D735,175 S * 7/2015 Liu D14/239
D735,176 S * 7/2015 Liu D14/239
9,120,257 B2 * 9/2015 Nathanson B29C 45/14065
9,155,188 B2 * 10/2015 Merz H05K 3/284
9,420,714 B2 * 8/2016 Lin G02F 1/133615
D771,025 S * 11/2016 Lee D14/248
D777,714 S * 1/2017 Akana D14/250
D793,376 S * 8/2017 Kwon D14/248
D794,005 S * 8/2017 Kwon D14/248
D796,496 S * 9/2017 Lee D14/248
D832,266 S * 10/2018 Akana D14/439
D832,267 S * 10/2018 Akana D14/439
D832,850 S * 11/2018 Oh D14/439
D852,195 S * 6/2019 Aoyagi D14/439
D854,000 S * 7/2019 Akana D14/248
D856,338 S * 8/2019 Akana D14/439
D863,307 S * 10/2019 Yi D14/432
D863,308 S * 10/2019 Yi D14/432
D873,832 S * 1/2020 Akana D14/439
D876,415 S * 2/2020 Yi D14/248
10,701,845 B2 * 6/2020 Schmitt H05K 9/0007
D890,762 S * 7/2020 Nam D14/439
D893,491 S * 8/2020 Akana D14/439
D893,492 S * 8/2020 Akana D14/439
D894,189 S * 8/2020 Akana D14/432
D895,627 S * 9/2020 Akana D14/439
D900,112 S * 10/2020 Cho D14/439
D901,508 S * 11/2020 Akana D14/439
D903,643 S * 12/2020 Akana D14/248
D905,695 S * 12/2020 Akana D14/439
D906,306 S * 12/2020 Akana D14/248
D908,706 S * 1/2021 Ahn D14/439
2004/0223004 A1 11/2004 Lincke et al.
2006/0160411 A1 * 7/2006 Lai et al. 439/495
2006/0281501 A1 * 12/2006 Zuo et al. 455/575.1
2008/0316121 A1 * 12/2008 Hobson H01Q 5/40
343/702
2009/0067141 A1 * 3/2009 Dabov et al. 361/753
2009/0245565 A1 10/2009 Mittleman et al.
2009/0247244 A1 10/2009 Mittleman et al.
2010/0277877 A1 * 11/2010 Dinh et al. 361/749
2011/0151945 A1 * 6/2011 Jiang et al. 455/575.1
2011/0164365 A1 * 7/2011 McClure et al. 361/679.3
2011/0164370 A1 * 7/2011 McClure et al. 361/679.26
2011/0188179 A1 * 8/2011 Myers et al. 361/679.01
2011/0216486 A1 * 9/2011 Ho et al. 361/679.01
2011/0255218 A1 * 10/2011 Pakula H04M 1/0249
361/679.01
2012/0002352 A1 * 1/2012 Hsiung 361/679.01
2012/0044123 A1 * 2/2012 Rothkopf et al. 343/878
2012/0050988 A1 * 3/2012 Rothkopf et al. 361/688
2012/0051025 A1 * 3/2012 Joi et al. 361/818
2012/0073115 A1 * 3/2012 Filson et al. 29/592.1
2012/0087066 A1 * 4/2012 Leggett 361/679.01
2012/0092812 A1 * 4/2012 Lewis et al. 361/679.01

OTHER PUBLICATIONS

Co-pending U.S. Appl. No. 29/354,599, Inventors Akana et al., filed Jan. 26, 2010 (Not Published).
Co-pending U.S. Appl. No. 29/363,167, Inventors Akana et al., filed Jun. 5, 2010 (Not Published).

(56)

References Cited

OTHER PUBLICATIONS

Co-pending U.S. Appl. No. 29/367,997, Inventors Akana et al., filed Aug. 16, 2010 (Not Published).
Co-pending U.S. Appl. No. 29/376,057, Inventors Akana et al., filed Sep. 30, 2010 (Not Published).
Co-pending U.S. Appl. No. 29/368,831, Inventors Akana et al., filed Aug. 30, 2010 (Not Published).
Co-pending U.S. Appl. No. 29/376,156, Inventors Akana et al., filed Oct. 1, 2010 (Not Published).
Co-pending U.S. Appl. No. 29/379,707, Inventors Akana et al., filed Nov. 23, 2010 (Not Published).
Co-pending U.S. Appl. No. 29/379,722, Inventors Akana et al., filed Nov. 23, 2010 (Not Published).
Co-pending U.S. Appl. No. 29/380,125, Inventors to Be Determined, filed Nov. 30, 2010 (Not Published).

Co-pending U.S. Appl. No. 29/381,617, Inventors Andre et al., filed Dec. 21, 2010 (Not Published).
Co-pending U.S. Appl. No. 29/382,852, Inventors Andre et al., filed Jan. 7, 2011 (Not Published).
Co-pending U.S. Appl. No. 29/384,757, Inventors Andre et al., filed Feb. 3, 2011 (Not Published).
Co-pending U.S. Appl. No. 29/384,861, Inventors Andre et al., filed Feb. 4, 2011 (Not Published).
Co-pending U.S. Appl. No. 29/384,914, Inventors to be Determined, filed Feb. 4, 2011 (Not Published).
Co-pending U.S. Appl. No. 29/385,079, Inventors Akana et al., filed Feb. 8, 2011 (Not Published).
HP Compaq Tablet PC TC1000, <http://www.hardwarezone.com.au/reviews/view.php?cid=45&id=533&pg=2>. Downloaded Apr. 20, 2010, 1 page. (Updated URL: http://2009.hardwarezone.com/img/data/articles/2002/533/Evo_JamesHand01.jpg).

* cited by examiner

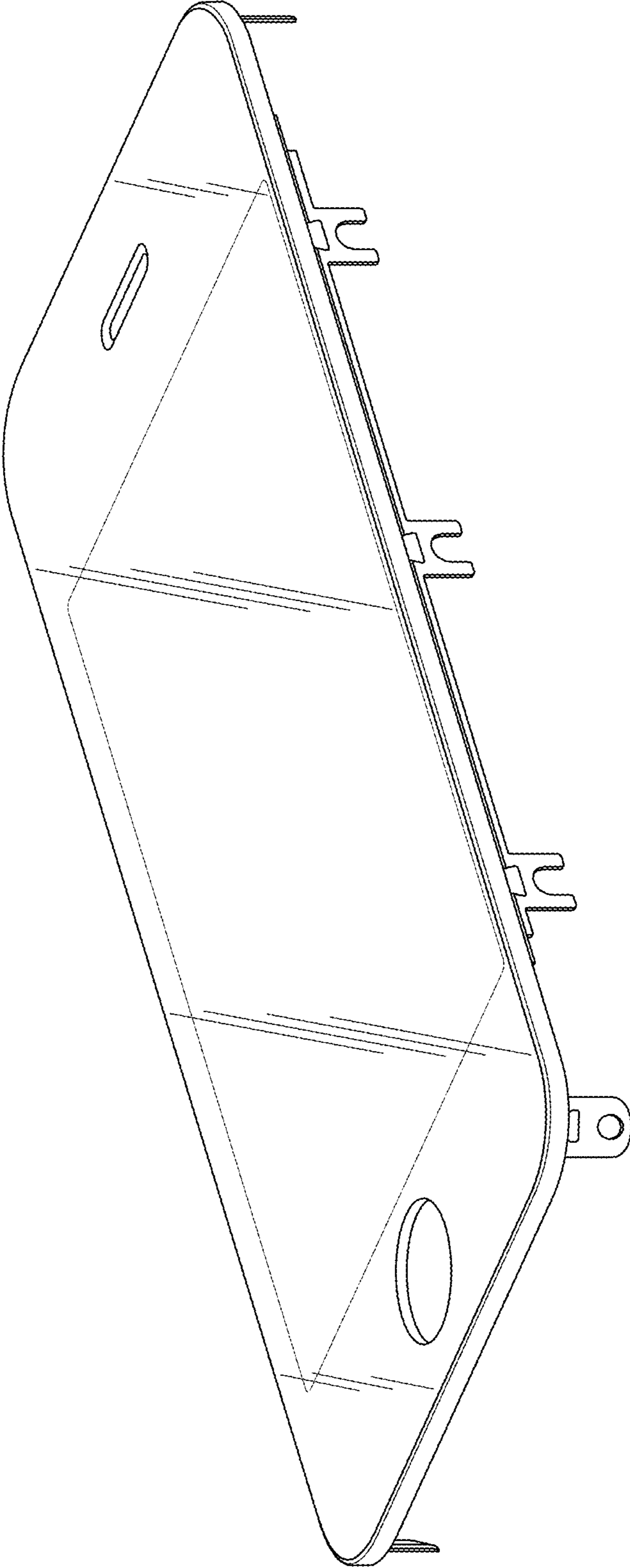


FIG. 1

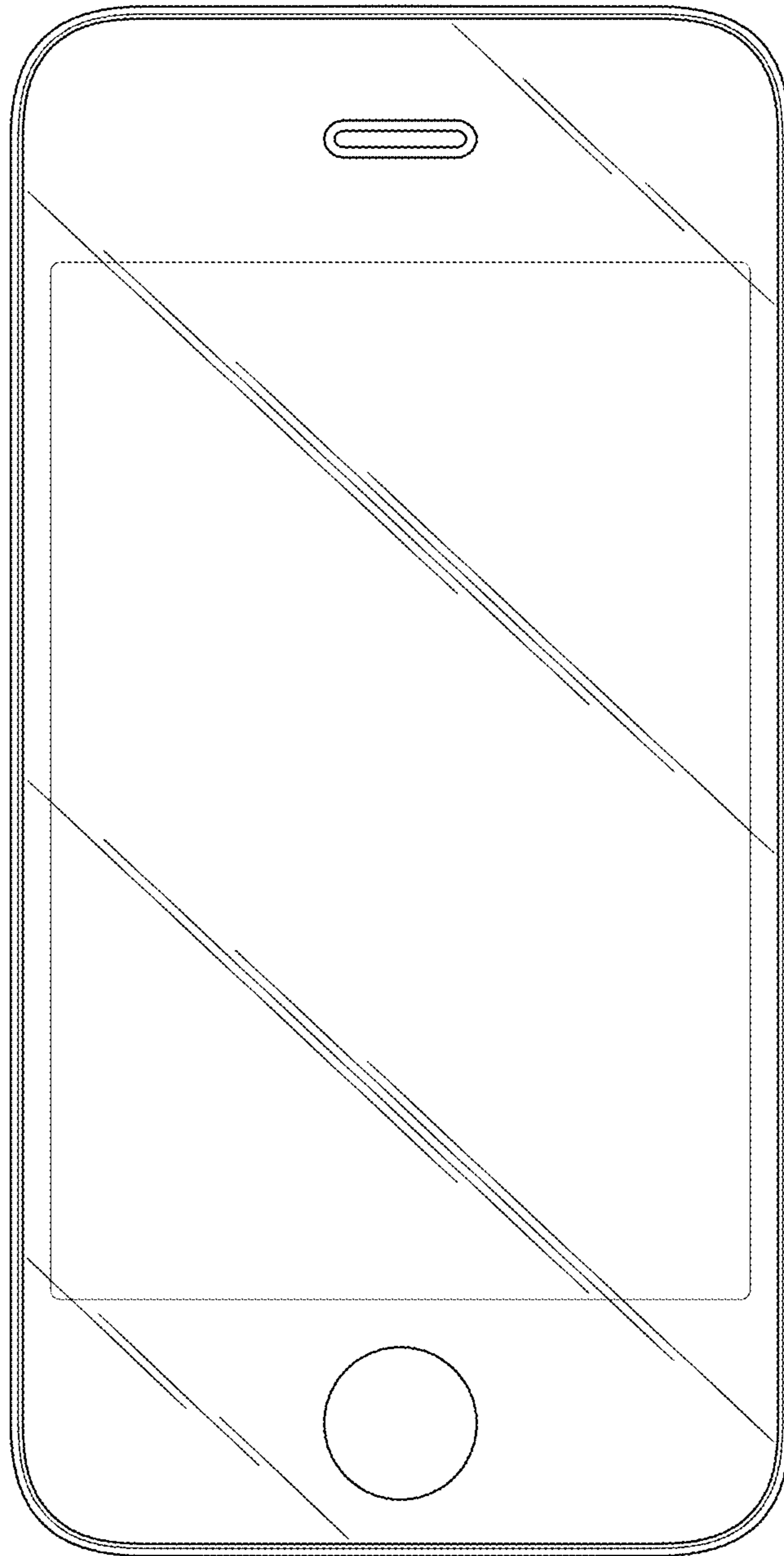


FIG. 2

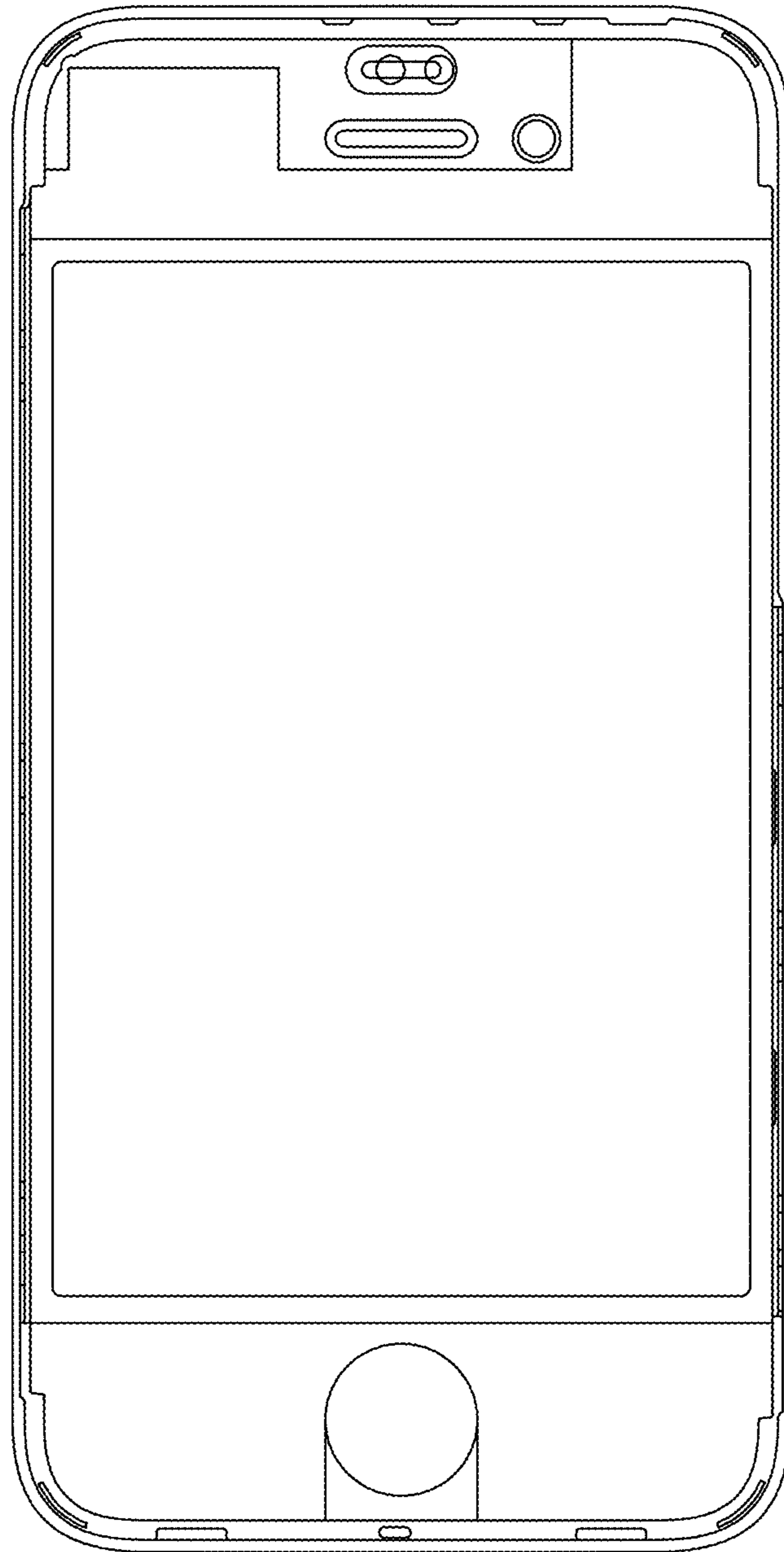


FIG. 3



FIG. 4

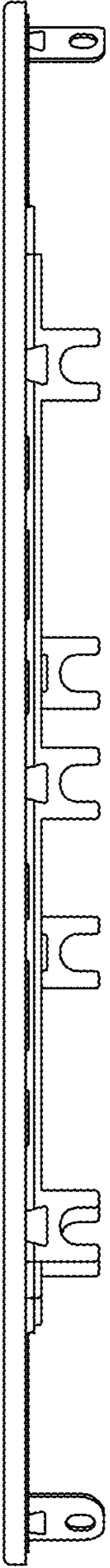


FIG. 5



FIG. 6



FIG. 7