



US00D920332S

(12) **United States Design Patent** (10) **Patent No.:** **US D920,332 S**  
**Du** (45) **Date of Patent:** **\*\* May 25, 2021**

(54) **LAPTOP STAND**  
(71) Applicant: **Xingqu Du**, Quanzhou (CN)  
(72) Inventor: **Xingqu Du**, Quanzhou (CN)  
(\*\*) Term: **15 Years**

RE44,740 E \* 2/2014 Ciungan ..... D8/363  
D712,685 S 9/2014 Weatherly  
8,827,226 B2 \* 9/2014 Townsend ..... F16M 11/2014  
248/323  
D778,105 S \* 2/2017 Coffey, Jr. .... D7/388  
D778,283 S \* 2/2017 Tsai ..... D14/447  
(Continued)

(21) Appl. No.: **29/741,054**  
(22) Filed: **Jul. 9, 2020**  
(51) **LOC (13) Cl.** ..... **14-02**  
(52) **U.S. Cl.**  
USPC ..... **D14/375**  
(58) **Field of Classification Search**  
USPC ... D14/203.8, 214, 224, 229, 238, 253, 316,  
D14/324, 372, 374-377, 388-389, 434,  
D14/447, 452; D20/10, 15, 40, 42-44;  
D8/306, 363, 380-382; 248/121, 122.1,  
248/127, 346.05, 676  
CPC ..... A47G 1/141; A47G 1/0605; A47G 1/142;  
G09F 1/12; G06Q 20/202  
See application file for complete search history.

**FOREIGN PATENT DOCUMENTS**

CN 303069678 \* 1/2015

**OTHER PUBLICATIONS**

Laptop Stand, NULAXY, amazon.com, published by NULAXY on Nov. 22, 2019 © 1996-2020 Amazon.com, Inc., online, site visited Nov. 10, 2020. Available from Internet, URL: <https://www.amazon.de/-/en/NULAXY-Laptop-stand-adjustable-compatible/dp/B081VZ61FD> (Year: 2019).\*

(Continued)

*Primary Examiner* — Marissa J Cash  
*Assistant Examiner* — Altaira J Swangin  
(74) *Attorney, Agent, or Firm* — Rumit Ranjit Kanakia

(56) **References Cited**

**U.S. PATENT DOCUMENTS**

D358,847 S \* 5/1995 Hart ..... A47F 5/114  
D20/10  
D381,369 S \* 7/1997 Sabadina ..... D20/43  
D554,647 S \* 11/2007 Chan ..... D14/447  
D560,676 S \* 1/2008 Wohlford ..... D14/451  
D560,933 S 2/2008 Sexton  
D574,815 S \* 8/2008 Sculler ..... D14/239  
D580,421 S \* 11/2008 Sculler ..... D14/239  
D581,916 S \* 12/2008 Sculler ..... D14/239  
D644,503 S \* 9/2011 Crane ..... D8/382  
D664,378 S 7/2012 Vu  
D671,110 S \* 11/2012 Choi ..... D14/253  
D672,356 S \* 12/2012 Quijano ..... D14/447  
D690,708 S \* 10/2013 Smith ..... D14/447  
D695,748 S \* 12/2013 Morris ..... D14/447  
8,608,119 B2 \* 12/2013 Wolff ..... F16M 11/10  
248/123.2

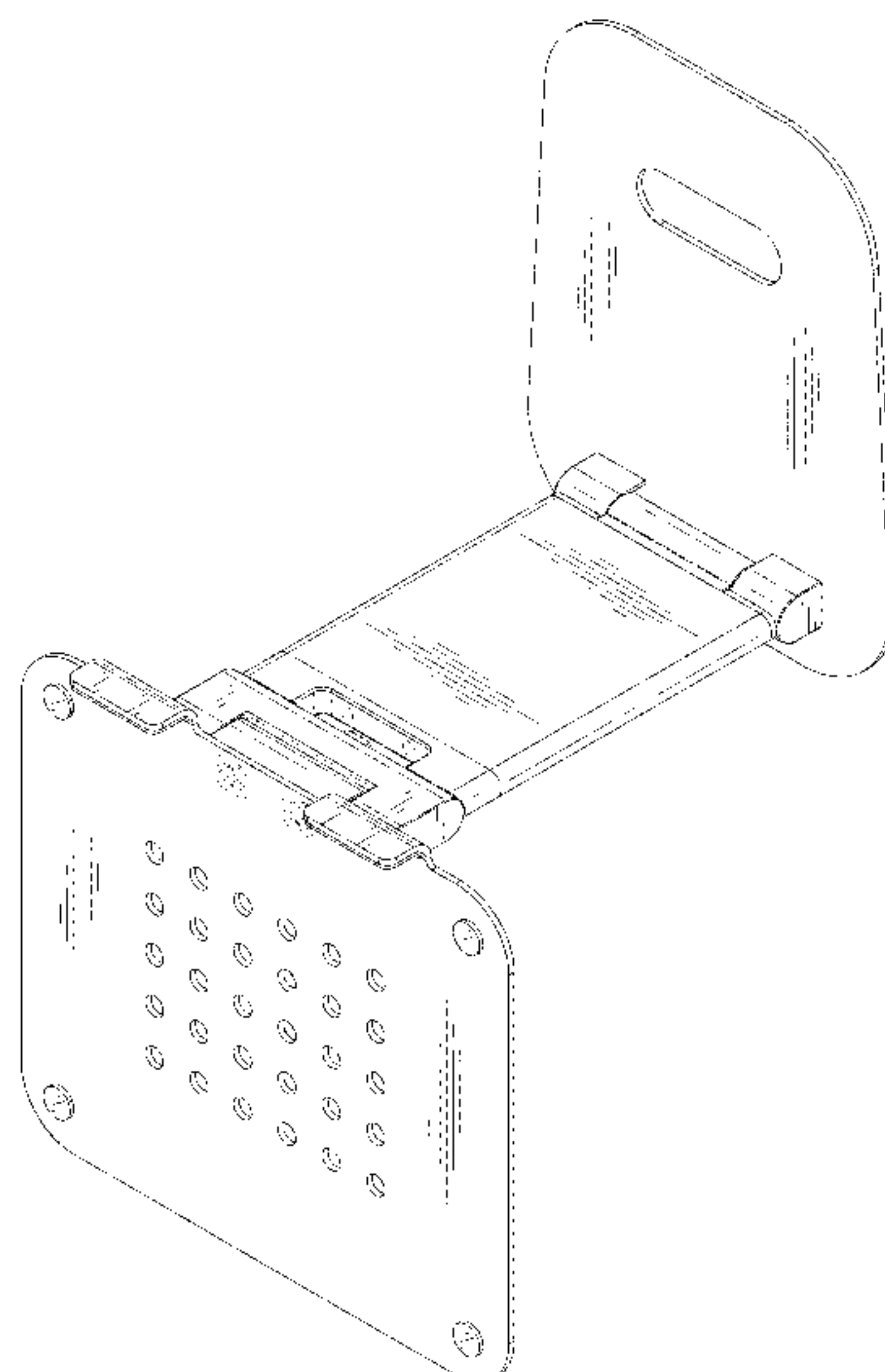
(57) **CLAIM**

I claim the ornamental design for a laptop stand, as shown and described.

**DESCRIPTION**

FIG. 1 is a Perspective view of a laptop stand showing my new design;  
FIG. 2 is a Front view thereof;  
FIG. 3 is a Back view thereof;  
FIG. 4 is a Right-side view thereof;  
FIG. 5 is a Left-side view thereof;  
FIG. 6 is a Top view thereof; and,  
FIG. 7 is a Bottom view thereof.  
The broken lines are for the purpose of illustrating portions of the article that form no part of the claim.

**1 Claim, 7 Drawing Sheets**



(56)

**References Cited**

U.S. PATENT DOCUMENTS

D778,916 S \* 2/2017 Li ..... D14/447  
 D788,781 S \* 6/2017 Chen ..... D14/447  
 D824,916 S \* 8/2018 Chen ..... D14/447  
 D825,575 S \* 8/2018 Gao ..... D14/447  
 D829,531 S \* 10/2018 Kanter ..... D8/354  
 D829,533 S \* 10/2018 Kanter ..... D8/354  
 D829,725 S \* 10/2018 Luo ..... D14/447  
 D834,028 S \* 11/2018 Wu ..... D14/447  
 D835,626 S \* 12/2018 Mir Martos ..... D14/447  
 D852,788 S \* 7/2019 Kanter ..... D14/238  
 D854,537 S \* 7/2019 Ackeret ..... D14/253  
 D862,936 S \* 10/2019 Laudadio ..... D6/656.15  
 D868,672 S \* 12/2019 Thompson ..... D12/412  
 D895,600 S \* 9/2020 Lancet ..... D14/253  
 D898,017 S \* 10/2020 Zhang ..... D14/253  
 D900,593 S \* 11/2020 McKillips ..... D8/354  
 D903,689 S \* 12/2020 Zheng ..... D14/447

D906,347 S \* 12/2020 Yang ..... D14/447  
 D907,644 S \* 1/2021 Li ..... D14/447  
 2016/0007733 A1\* 1/2016 Kincaid ..... F16M 11/046  
 108/28  
 2016/0033074 A1\* 2/2016 Drakos ..... F16M 13/02  
 248/122.1

OTHER PUBLICATIONS

Laptop Tower Stand, minder, obvus.me, author unlisted, published on Sep. 27, 2020 per wayback machine © 2021 obVus Soutions, LLC, online, site visited Jan. 25, 2021. Available from Internet, URL: <https://www.obvus.me/products/laptoptower> (Year: 2020).\*  
 Adjustable Laptop Stand, Inple, globalsources.com, author and date unlisted © 2021 Publishers Representatives Limited, online, site visited Jan. 25, 2021. Available from Internet, URL: [https://www.globalsources.com/Laptop-stand/Laptop-Stands-1178894479p.htm?WT.pos\\_kw=prod\\_PrdtKWSImage\\_1\\_26](https://www.globalsources.com/Laptop-stand/Laptop-Stands-1178894479p.htm?WT.pos_kw=prod_PrdtKWSImage_1_26) . . . (Year: 2021).\*

\* cited by examiner

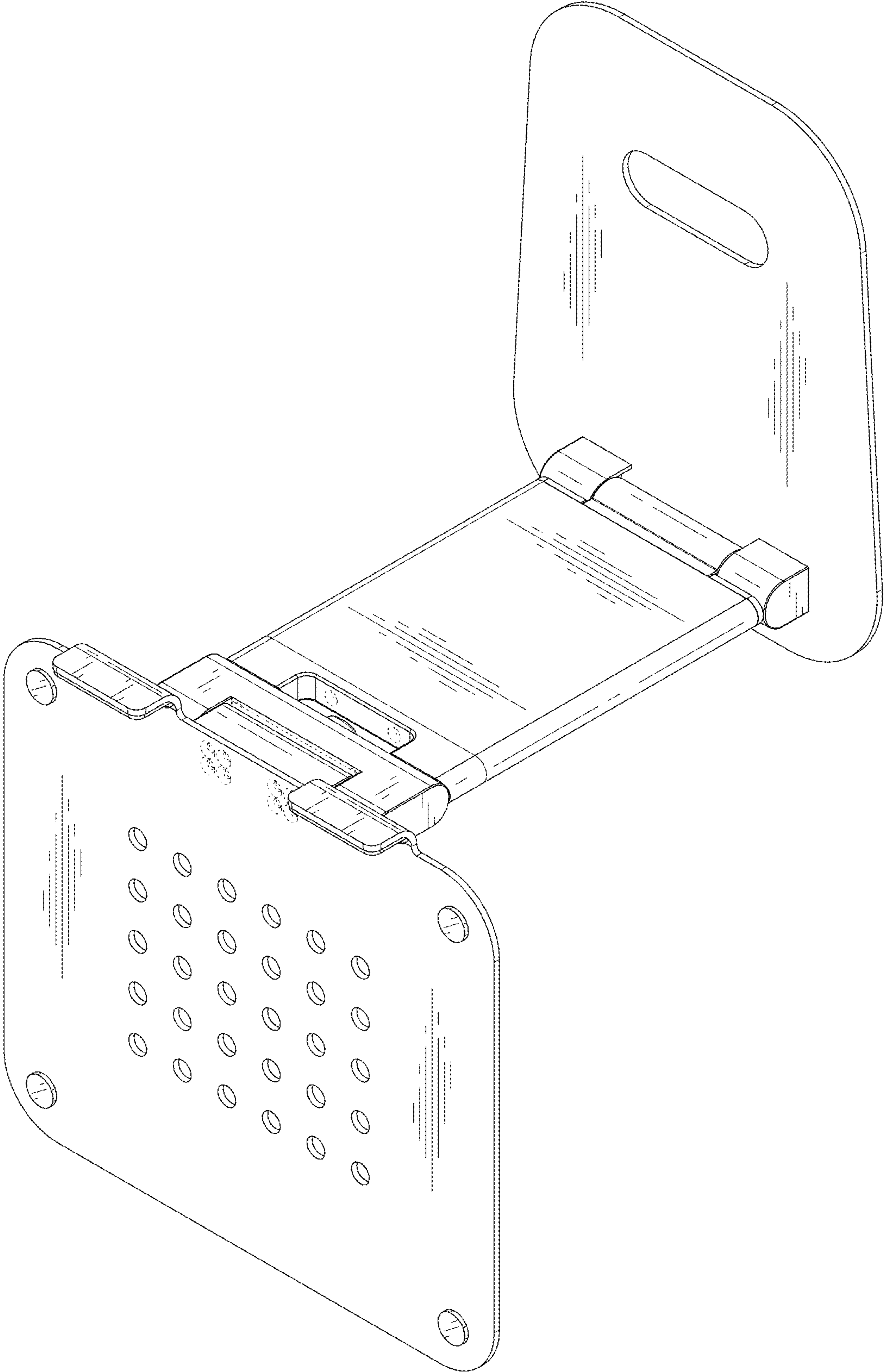


FIG. 1

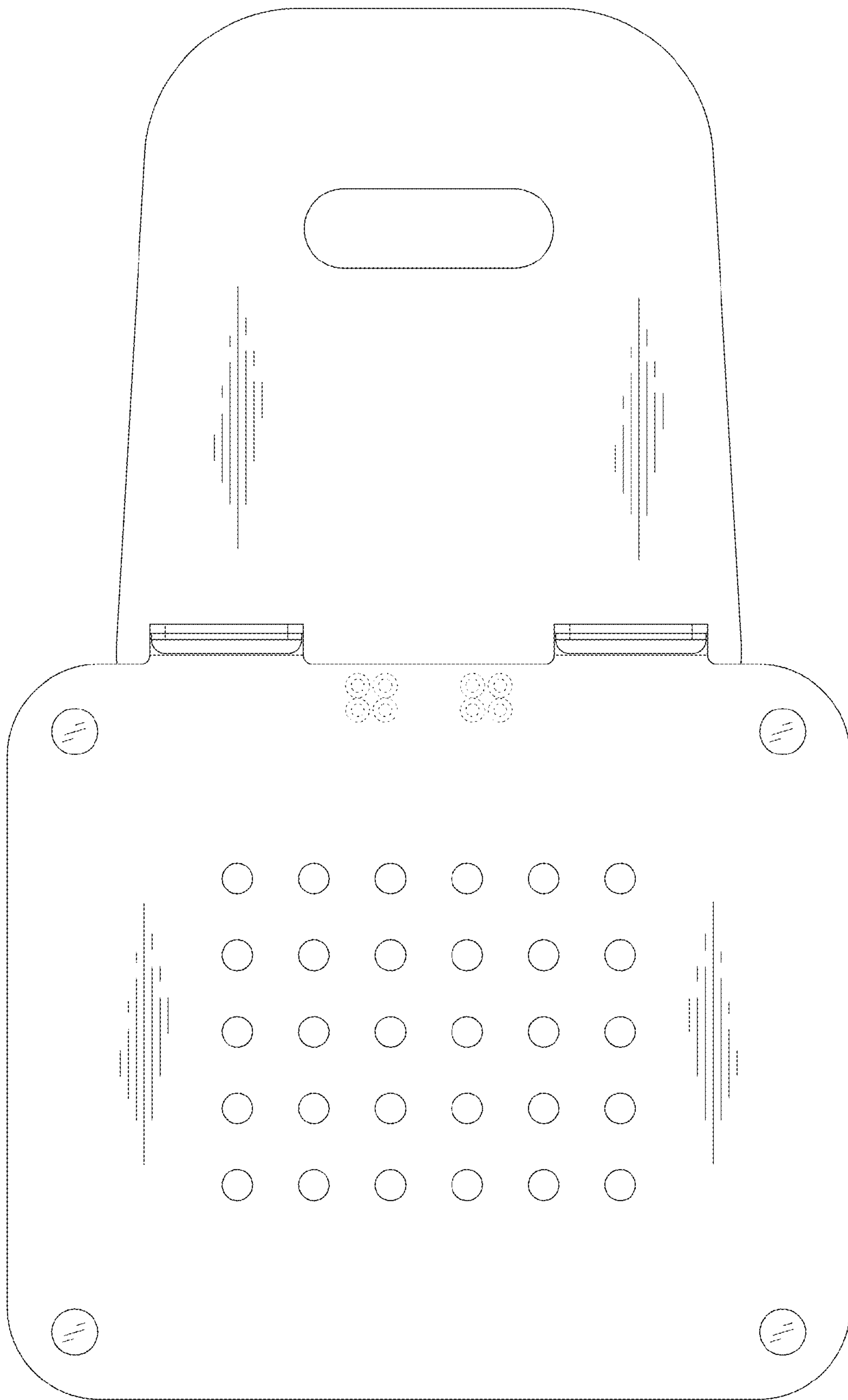


FIG. 2

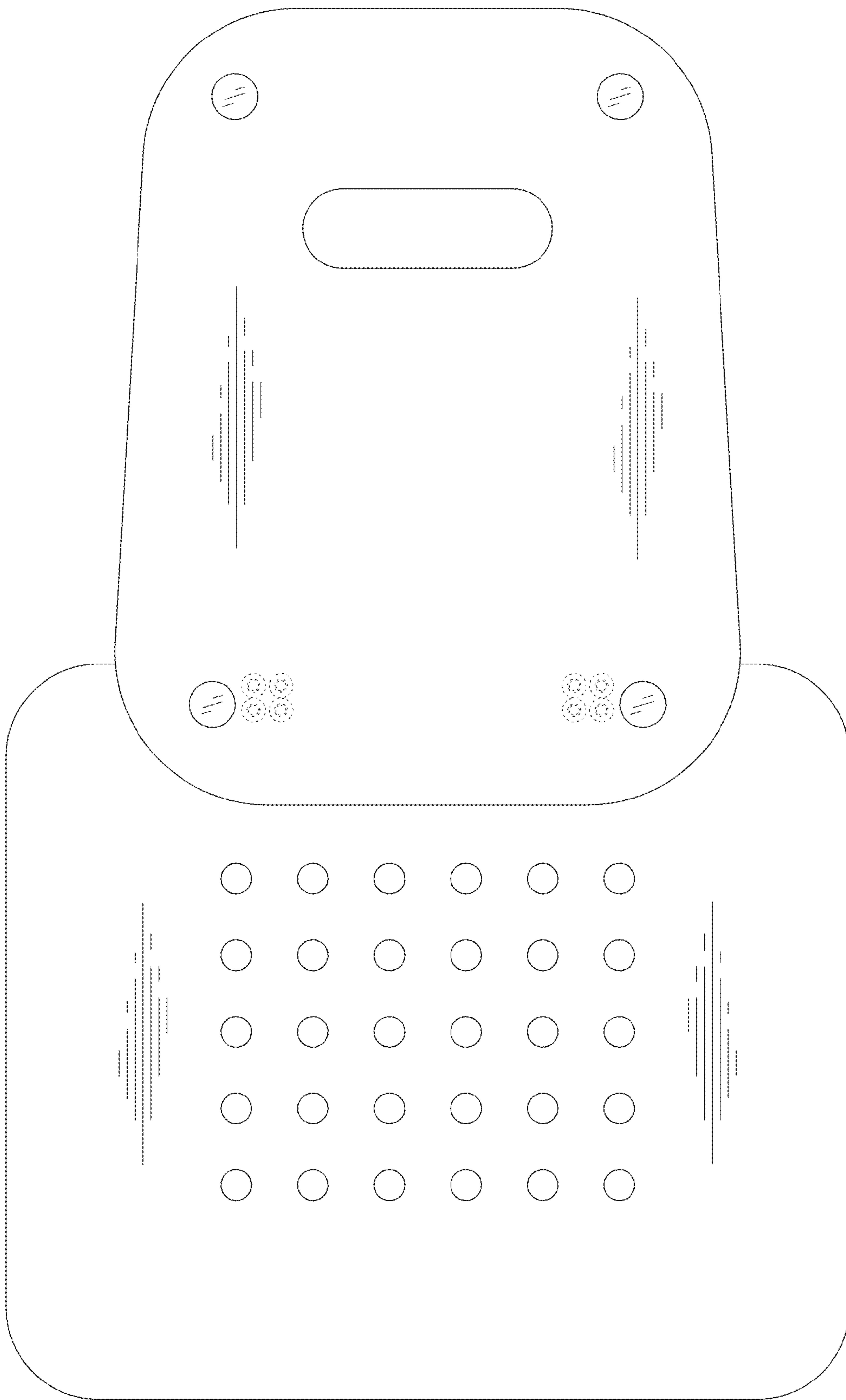


FIG. 3



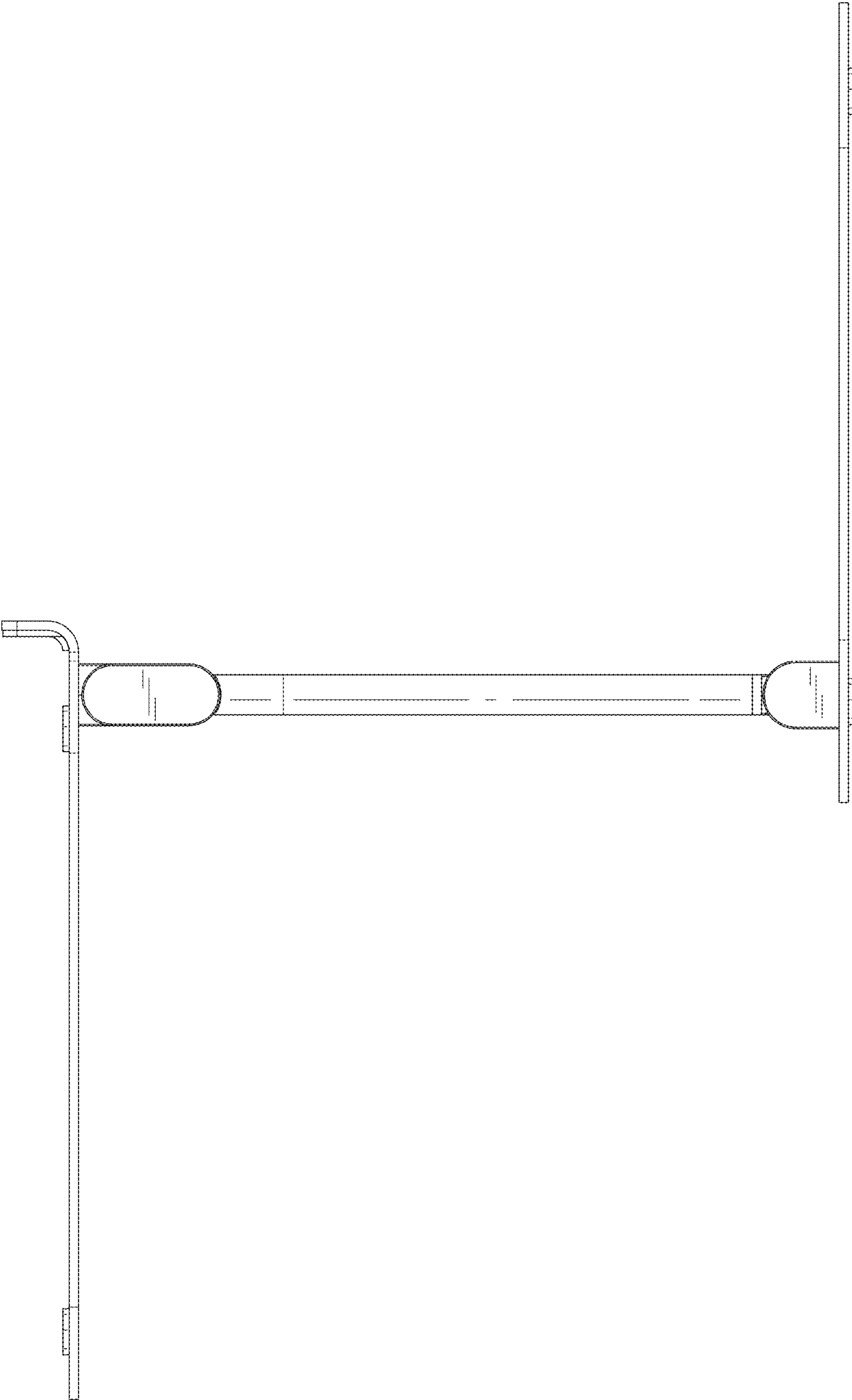


FIG. 4

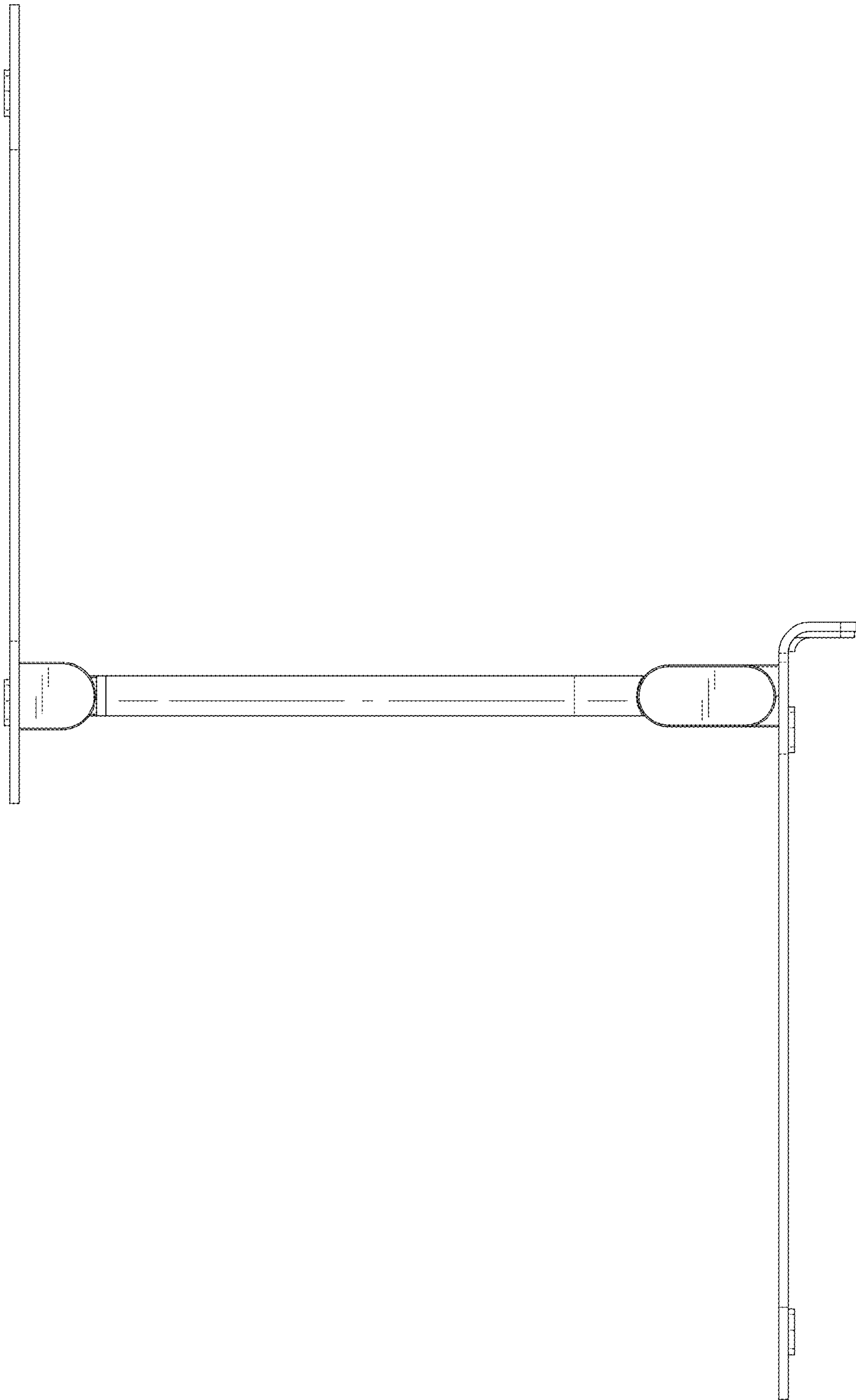


FIG. 5

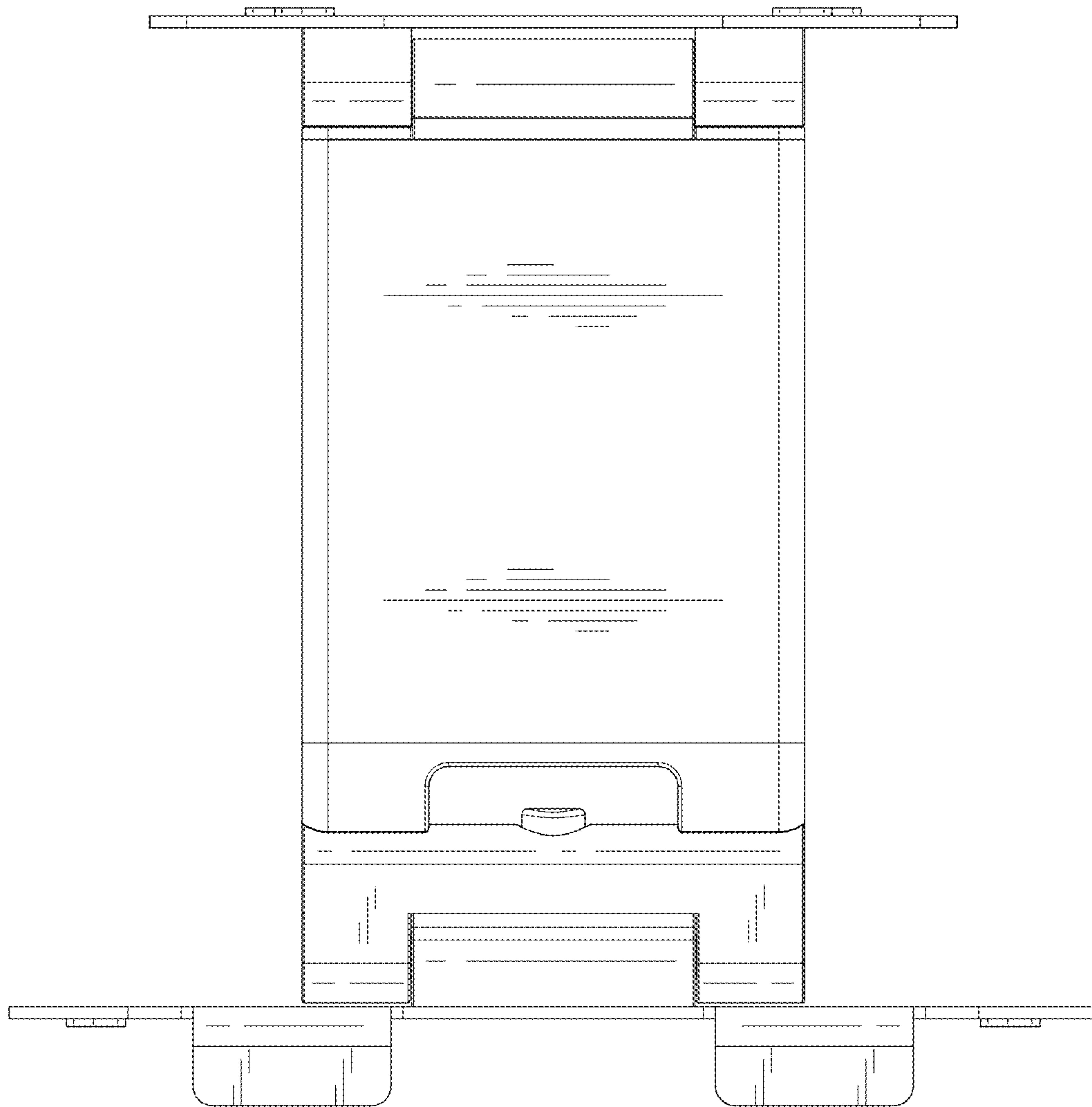


FIG. 6



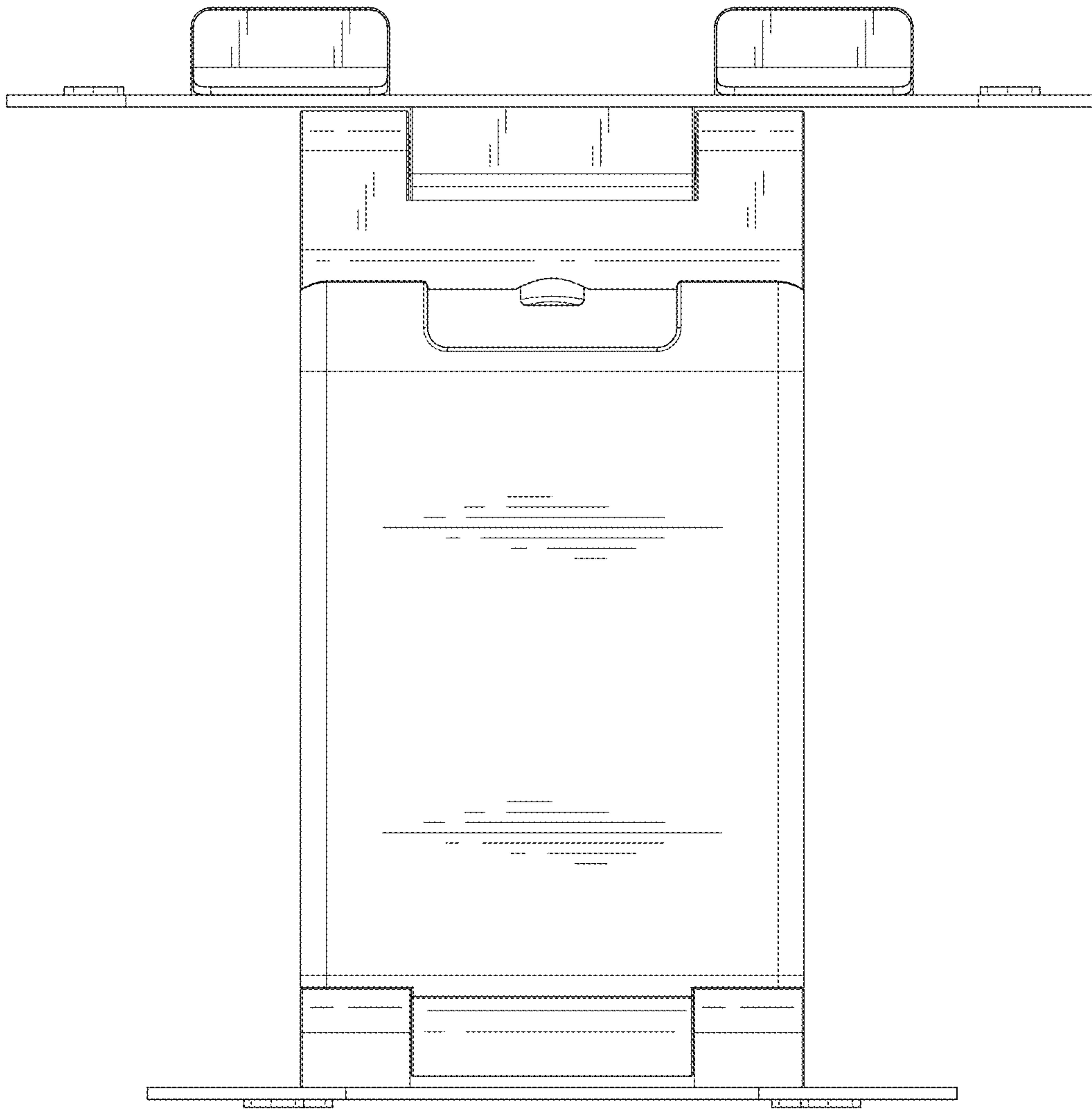


FIG. 7