



US00D920331S

(12) **United States Design Patent** (10) **Patent No.:** **US D920,331 S**
Nocon et al. (45) **Date of Patent:** **** May 25, 2021**

(54) **DISPLAY DEVICE**

FOREIGN PATENT DOCUMENTS

(71) Applicant: **Disney Enterprises, Inc.**, Burbank, CA (US)

CN 302996061 11/2014
CN 303083783 * 1/2015

(Continued)

(72) Inventors: **Nathan D. Nocon**, Valencia, CA (US);
John Peter Fiscella, Valencia, CA (US); **Paulo Kang**, Burbank, CA (US)

OTHER PUBLICATIONS

(73) Assignee: **Disney Enterprises, Inc.**, Burbank, CA (US)

H920BL Ultrasonic Cool Mist Humidifier, Pure Guardian, amazon.com, posted by Guardian Technologies on Jan. 17, 2019 per wayback machine © 1996-2020 Amazon.com, Inc., online, site visited Jul. 6, 2020. Available from Internet, URL: https://web.archive.org/web/2019*/https://www.amazon.com/PureGuardian . . . (Year: 2019).*

(**) Term: **15 Years**

(Continued)

(21) Appl. No.: **29/644,705**

(22) Filed: **Apr. 19, 2018**

Primary Examiner — Marissa J Cash

(51) **LOC (13) Cl.** **14-02**

Assistant Examiner — Altaira J Swangin

(52) **U.S. Cl.**

(74) *Attorney, Agent, or Firm* — Patterson + Sheridan, LLP

USPC **D14/371**

(58) **Field of Classification Search**

USPC ... D14/146, 195, 203.6, 204, 216, 228, 314, D14/336, 348-349, 352, 362, 371, 374, D14/380, 398, 509; D25/102, 119, D25/126-127; D10/70, 106.5, 114.5, D10/114.8; 381/120, 150; D23/352, D23/355-356, 359-360, 362, 365, 390; D26/22, 49, 79, 93, 104, 137; 362/101, 362/154; D9/772, 776, 780, 783, 428; D7/523
CPC A61M 16/1045; A61M 16/047; A61M 16/16; G10K 9/22; G06F 1/1688; H04R 1/02

See application file for complete search history.

(57) **CLAIM**

The ornamental design for a display device, as shown and described.

DESCRIPTION

FIG. 1 is a top perspective view of a display device showing our new design;
FIG. 2 is another top perspective view thereof;
FIG. 3 is a bottom perspective view thereof;
FIG. 4 is another bottom perspective view thereof;
FIG. 5 is a rear elevational view thereof;
FIG. 6 is a right side elevational view thereof;
FIG. 7 is a front elevational view thereof;
FIG. 8 is a left side elevational view thereof;
FIG. 9 is a top plan view thereof; and,
FIG. 10 is a bottom plan view thereof.
The broken lines depict portions of the display device that form no part of the claimed design.

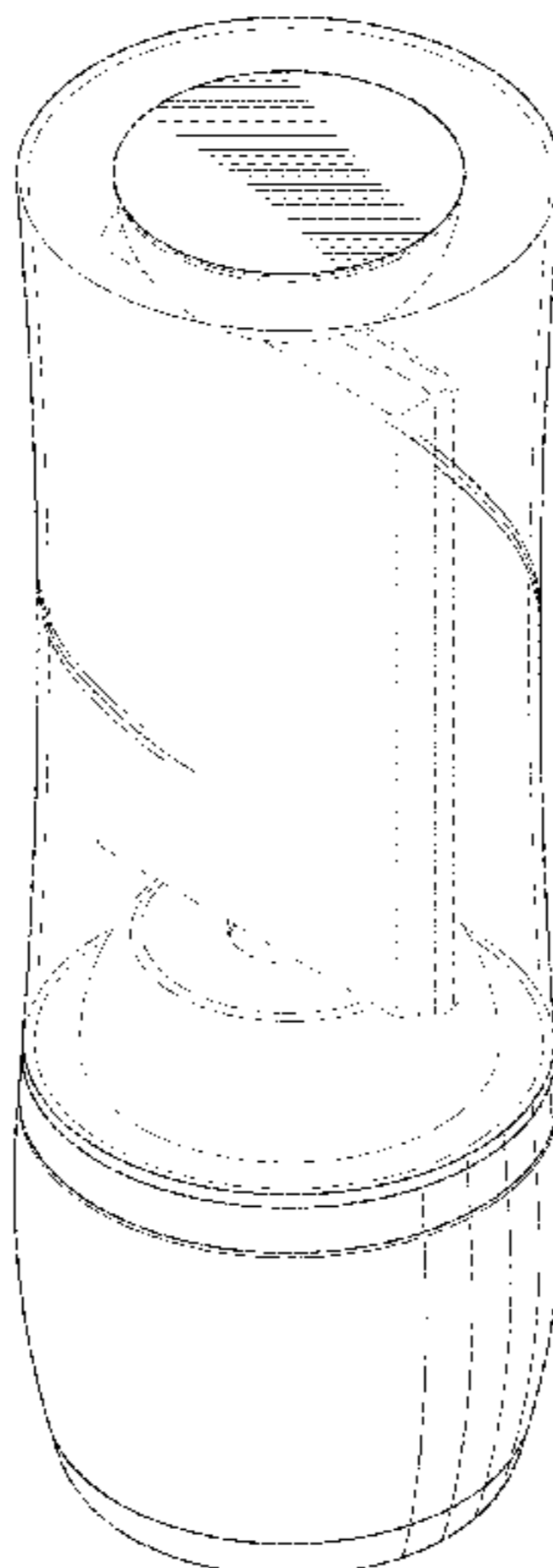
(56) **References Cited**

U.S. PATENT DOCUMENTS

D193,966 S * 10/1962 D'Alesandro D23/362
3,387,396 A 6/1968 Smith
D302,926 S 8/1989 Beeren
D318,222 S * 7/1991 Hsiung D9/418
D403,579 S * 1/1999 Gallart D9/418

(Continued)

1 Claim, 9 Drawing Sheets



(56)

References Cited

U.S. PATENT DOCUMENTS

D431,969 S 10/2000 Hurlbut
 D433,768 S * 11/2000 Huang D26/104
 D437,219 S * 2/2001 Gallart D9/418
 6,186,637 B1 2/2001 Murrietta
 6,206,536 B1 3/2001 Lin
 D507,723 S 7/2005 Bodum
 D509,291 S * 9/2005 Cunningham D23/336
 D517,869 S 3/2006 Graves et al.
 7,175,294 B1 * 2/2007 Estrada A47G 19/2227
 362/101
 D546,495 S 7/2007 Barbeau et al.
 D550,033 S 9/2007 Bodum
 D563,594 S 3/2008 Held
 D629,150 S 12/2010 Doulobakas
 7,871,173 B2 1/2011 Lin et al.
 D637,456 S * 5/2011 Creech D7/523
 D639,205 S 6/2011 Harshman
 D642,472 S 8/2011 Concini et al.
 D654,363 S 2/2012 Baek
 8,276,541 B2 * 10/2012 LoRocco A01K 39/04
 119/72
 D680,260 S 4/2013 Lin
 D697,820 S 1/2014 Keatley
 D698,753 S 2/2014 Yiu et al.
 D716,661 S 11/2014 Dubitsky et al.
 D735,514 S 8/2015 Cheung et al.
 D742,173 S 11/2015 Perman
 D769,067 S 10/2016 Cheung et al.
 D772,860 S * 11/2016 Magi D14/314
 D781,856 S * 3/2017 Bae D14/371
 D784,765 S 4/2017 Yao
 D786,829 S 5/2017 Wang et al.
 D790,680 S * 6/2017 Afridi D23/366
 D792,014 S * 7/2017 Galipeau D26/104

D798,839 S 10/2017 Yeon
 D801,119 S * 10/2017 Petre D7/523
 D810,049 S * 2/2018 Lee D14/216
 D814,873 S 4/2018 Roberts
 D816,408 S 5/2018 Cossu
 D823,833 S 7/2018 Shiono et al.
 D835,600 S 12/2018 Weiss et al.
 D845,276 S 4/2019 Huang
 D849,524 S 5/2019 Gadd et al.
 D887,390 S * 6/2020 Weiss D14/204
 D888,495 S 6/2020 Davis et al.
 D907,438 S * 1/2021 Sakamoto D7/507
 2020/0221198 A1 * 7/2020 Pupecki H05K 1/189

FOREIGN PATENT DOCUMENTS

EM 006680641-0001 * 10/2019
 EP 006680641-0001 10/2019
 KR 300627846.0001 3/2012

OTHER PUBLICATIONS

Animated Night Light Projector, QuSpace, amazon.com, published by QuSpace on Aug. 19, 2019 © 1996-2020 Amazon.com, Inc., online, site visited Jan. 12, 2021. Available from Internet, URL: <https://www.amazon.com/Projector-Rechargeable-Multi-Color-Decorating-Background/dp/B07WRF3D1> (Year: 2019).
 Voice-controlled connected speaker, Google, theverge.com, posted by Dan Seifert on Nov. 3, 2016 © 2020 Vox Media, LLC, online, site visited Mar. 11, 2020. Available from Internet, URL: <https://www.theverge.com/2016/11/3/13504658/google-home-review-speaker-assistant-amazon-echo-competitor> (Year: 2016).
 Design U.S. Appl. No. 29/680,126, Entitled "Display Device", filed Feb. 13, 2019.

* cited by examiner

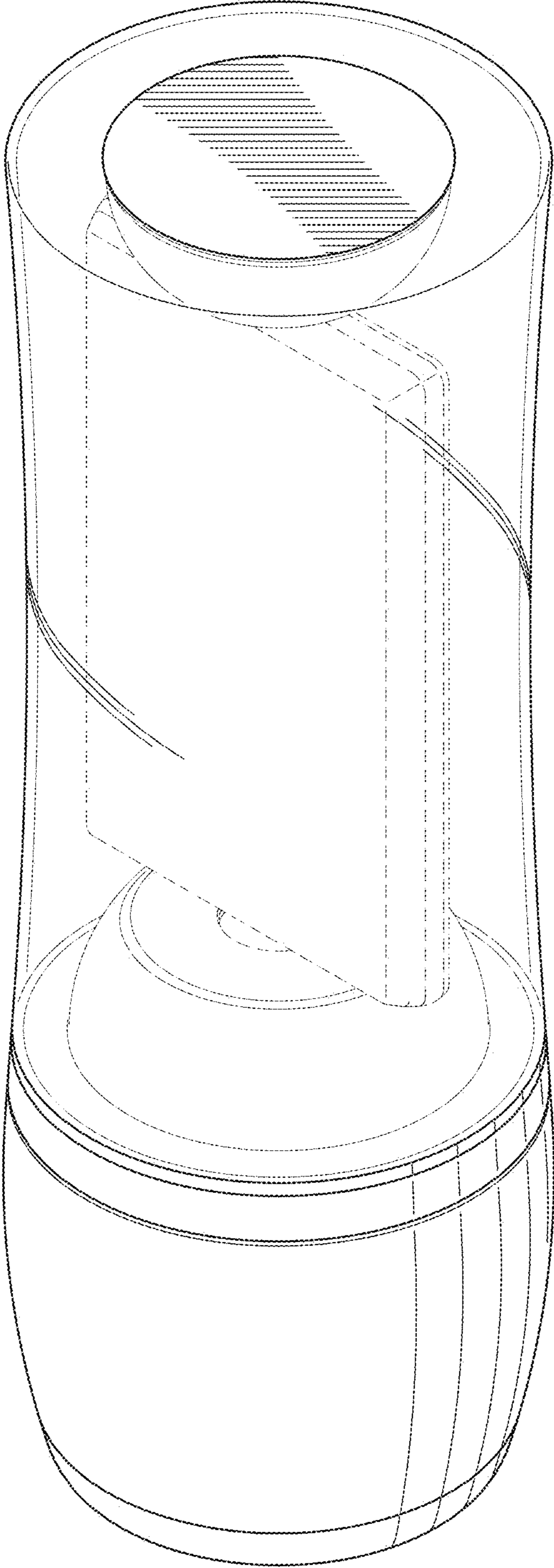


Fig. 1

Fig. 2

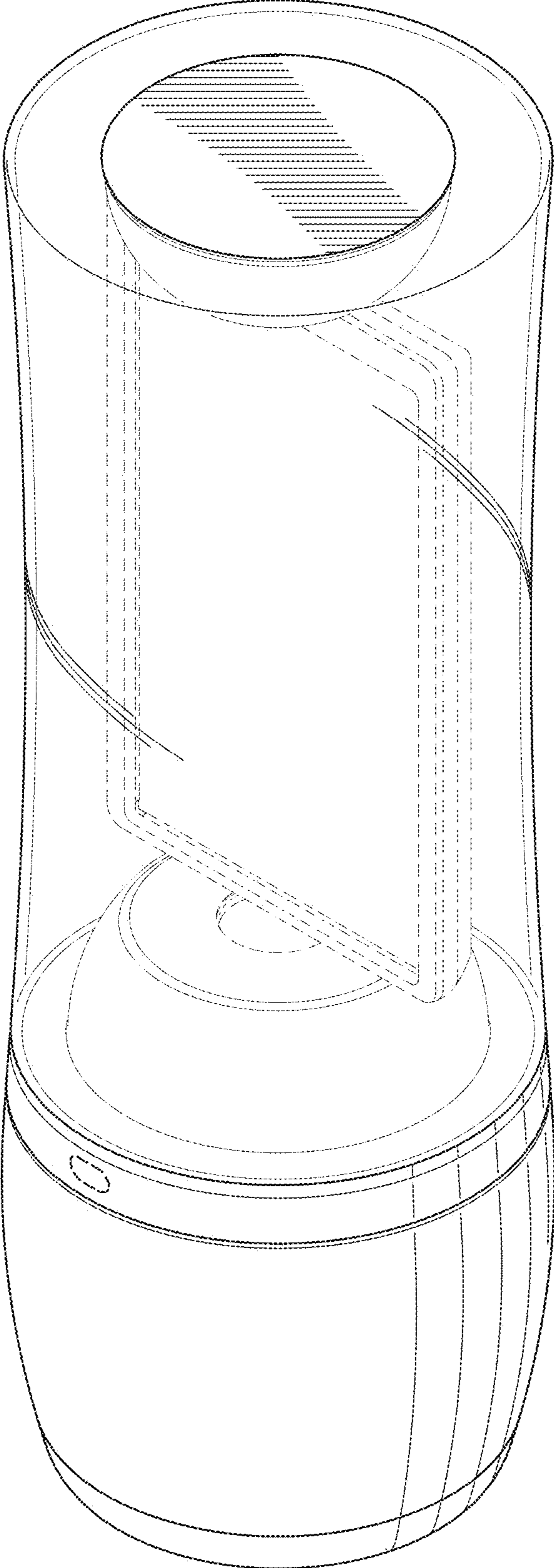
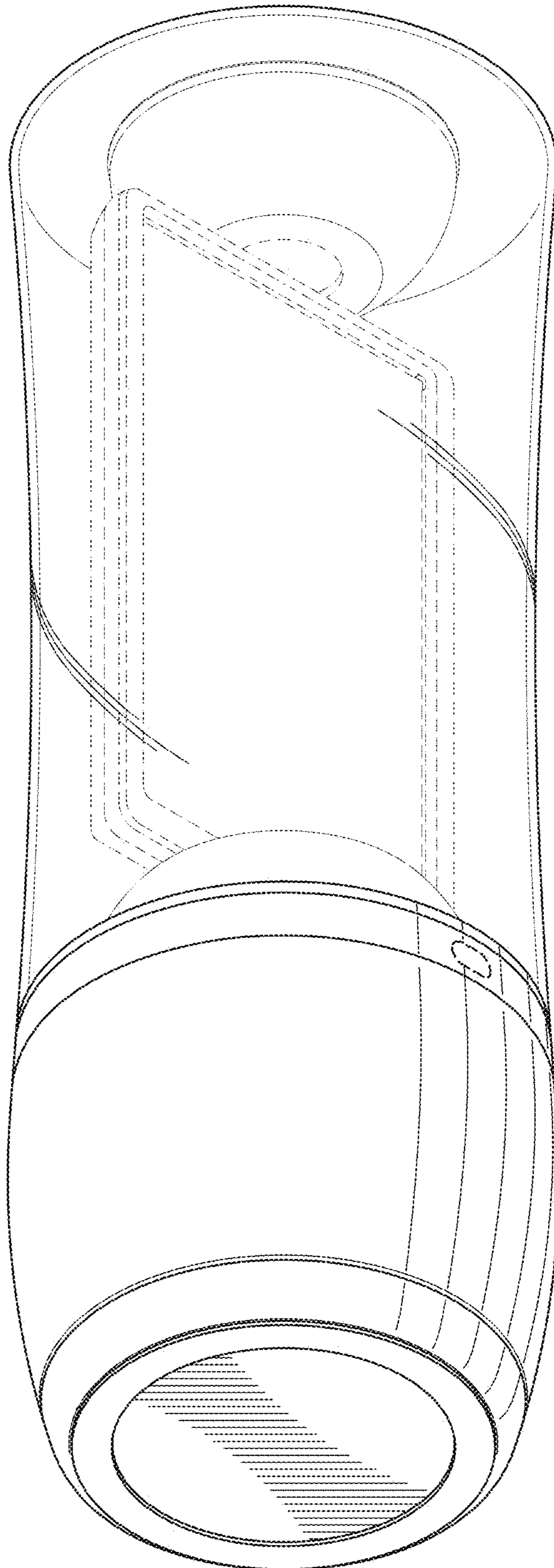


Fig. 3



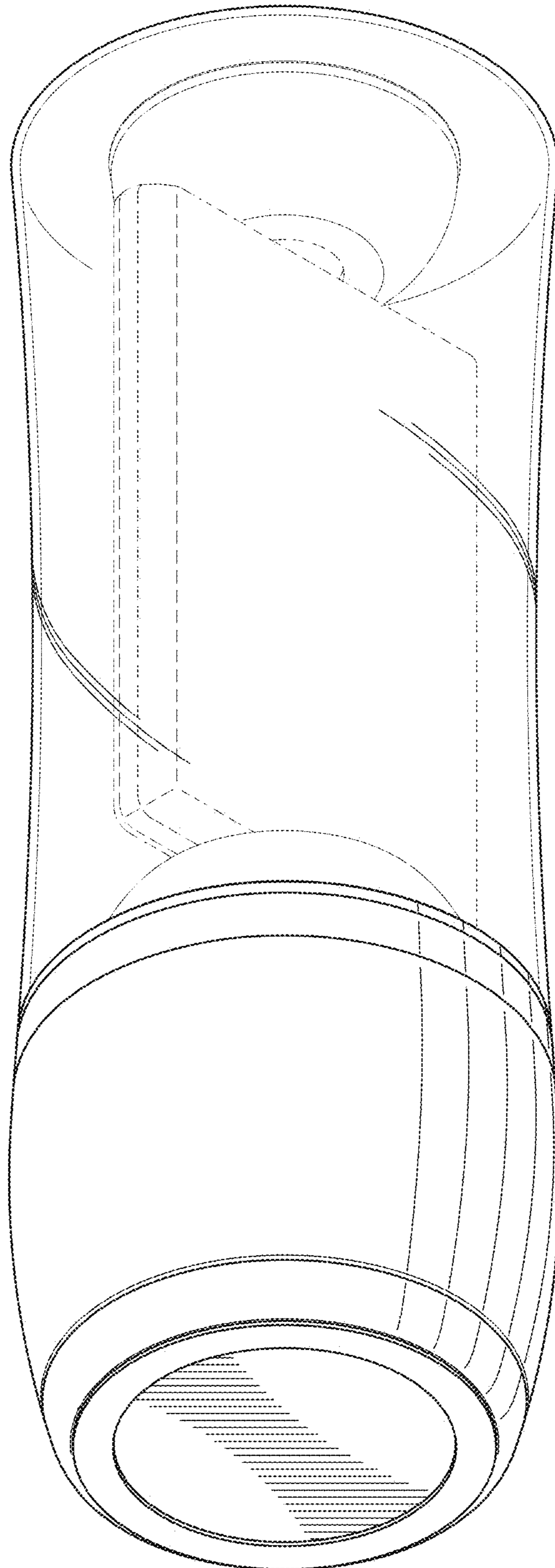


Fig. 4

Fig. 5

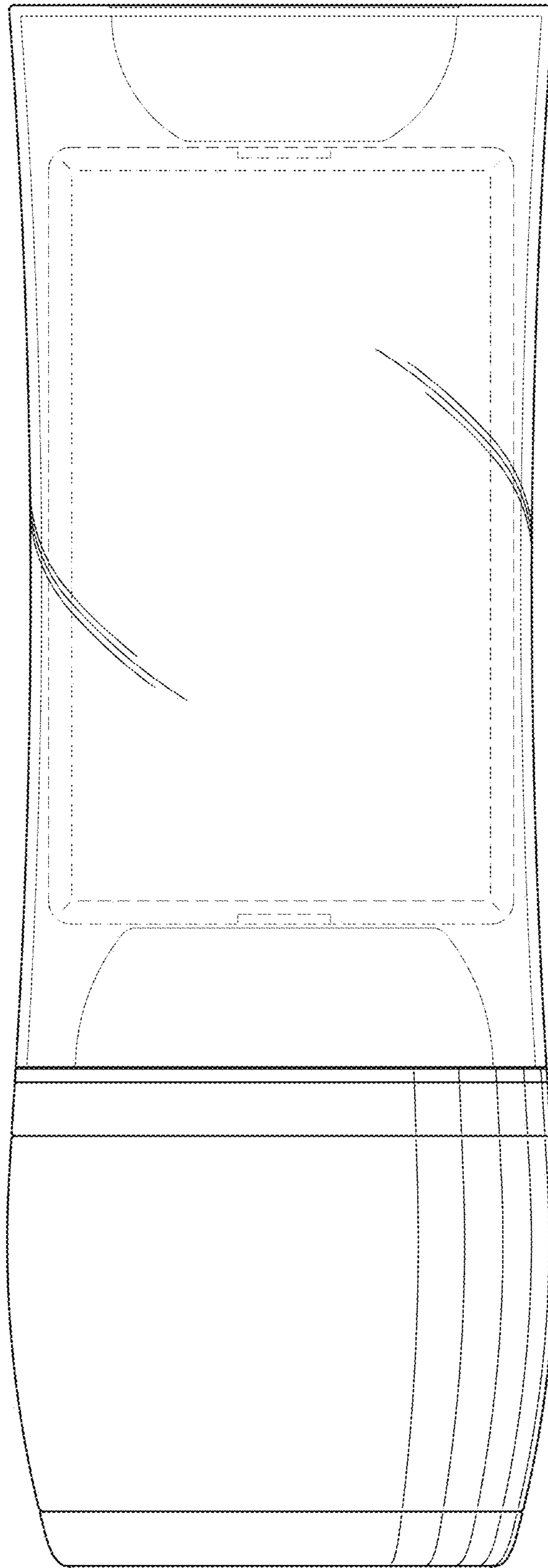


Fig. 6

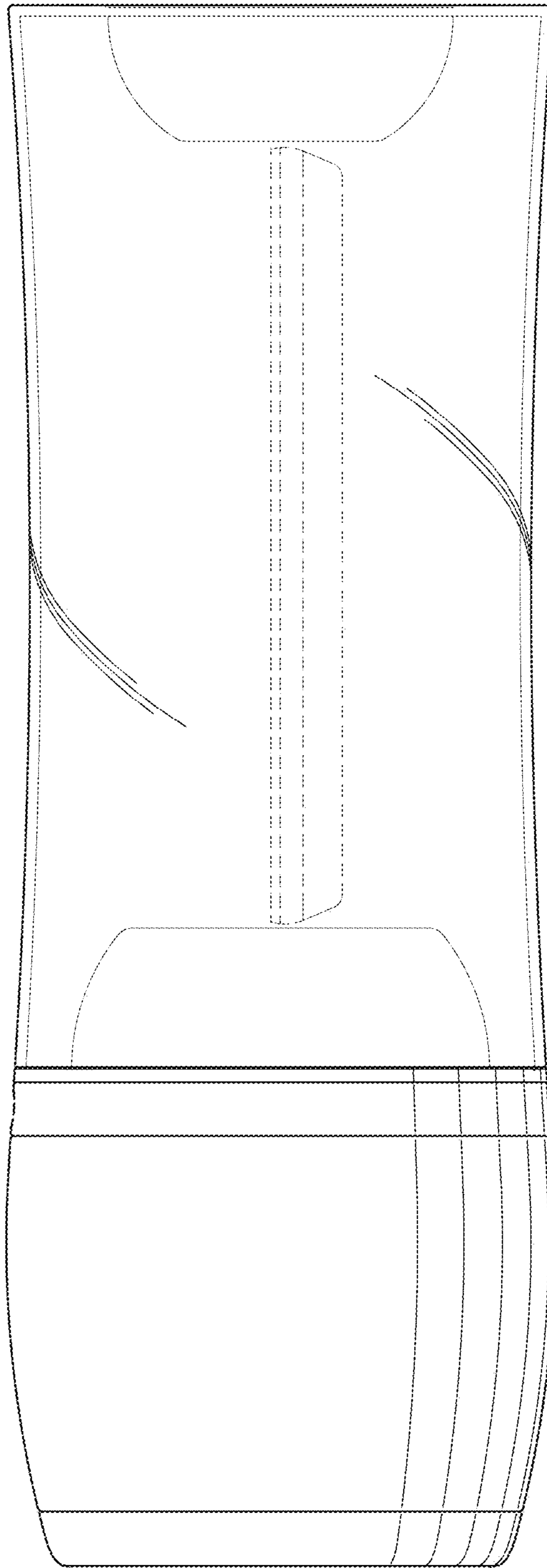


Fig. 7

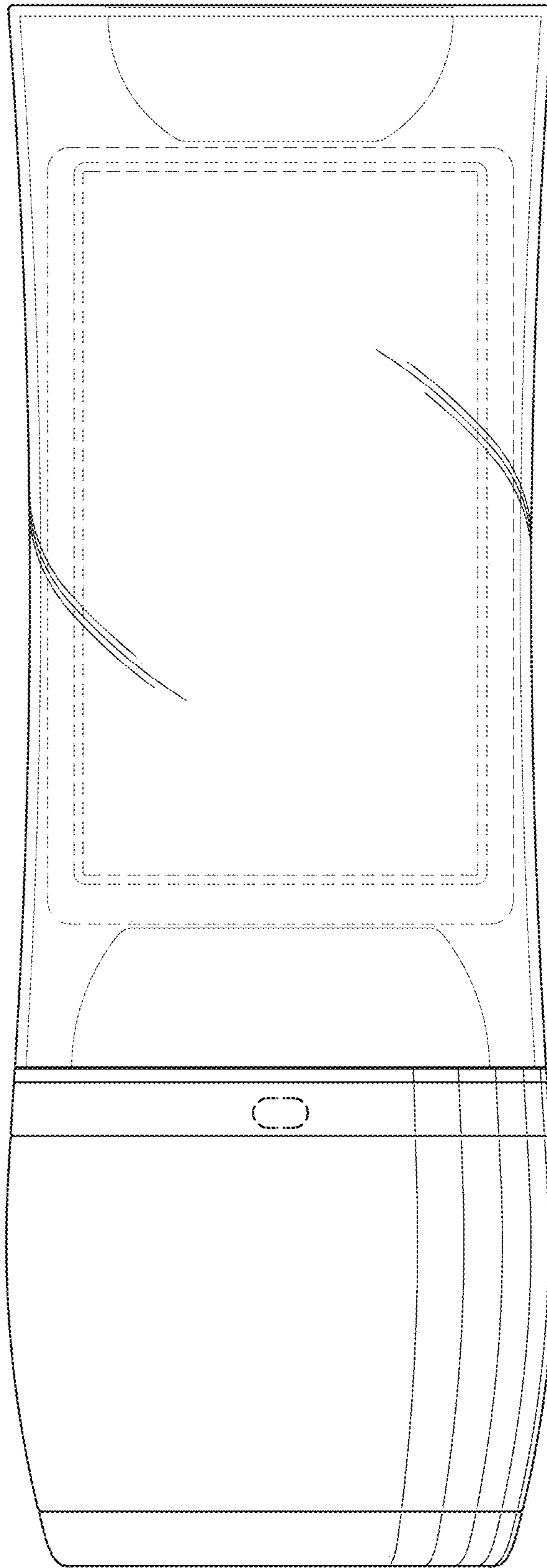


Fig. 8

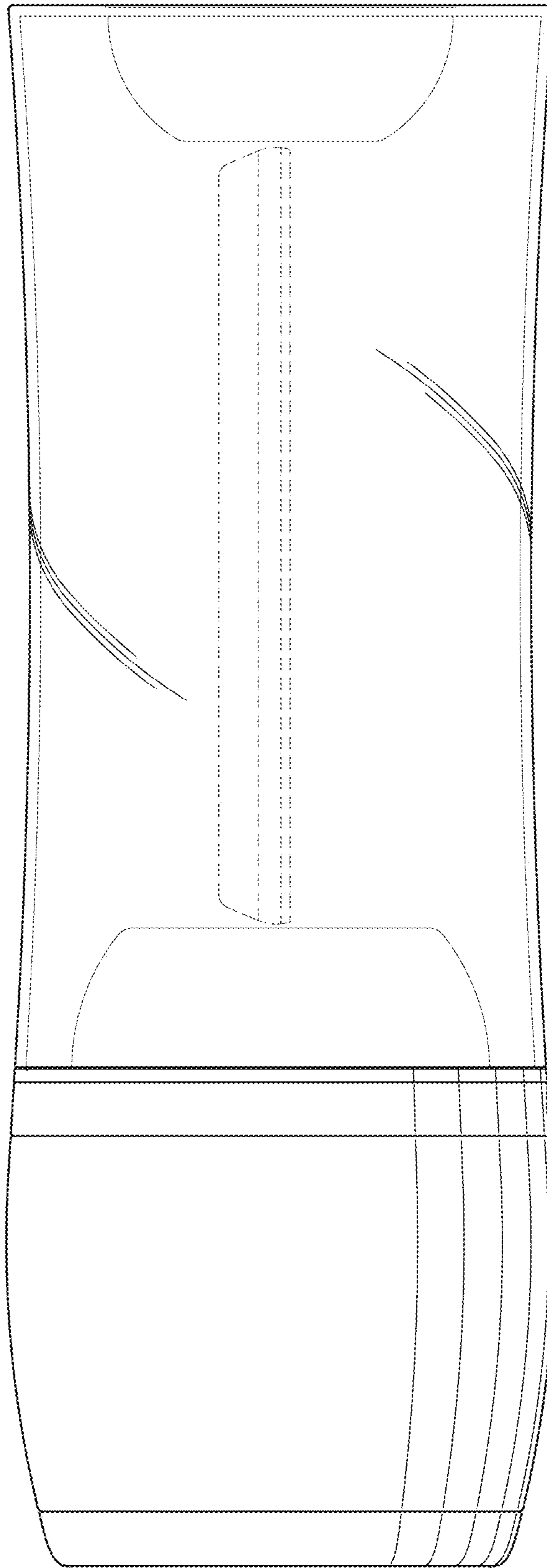


Fig. 9

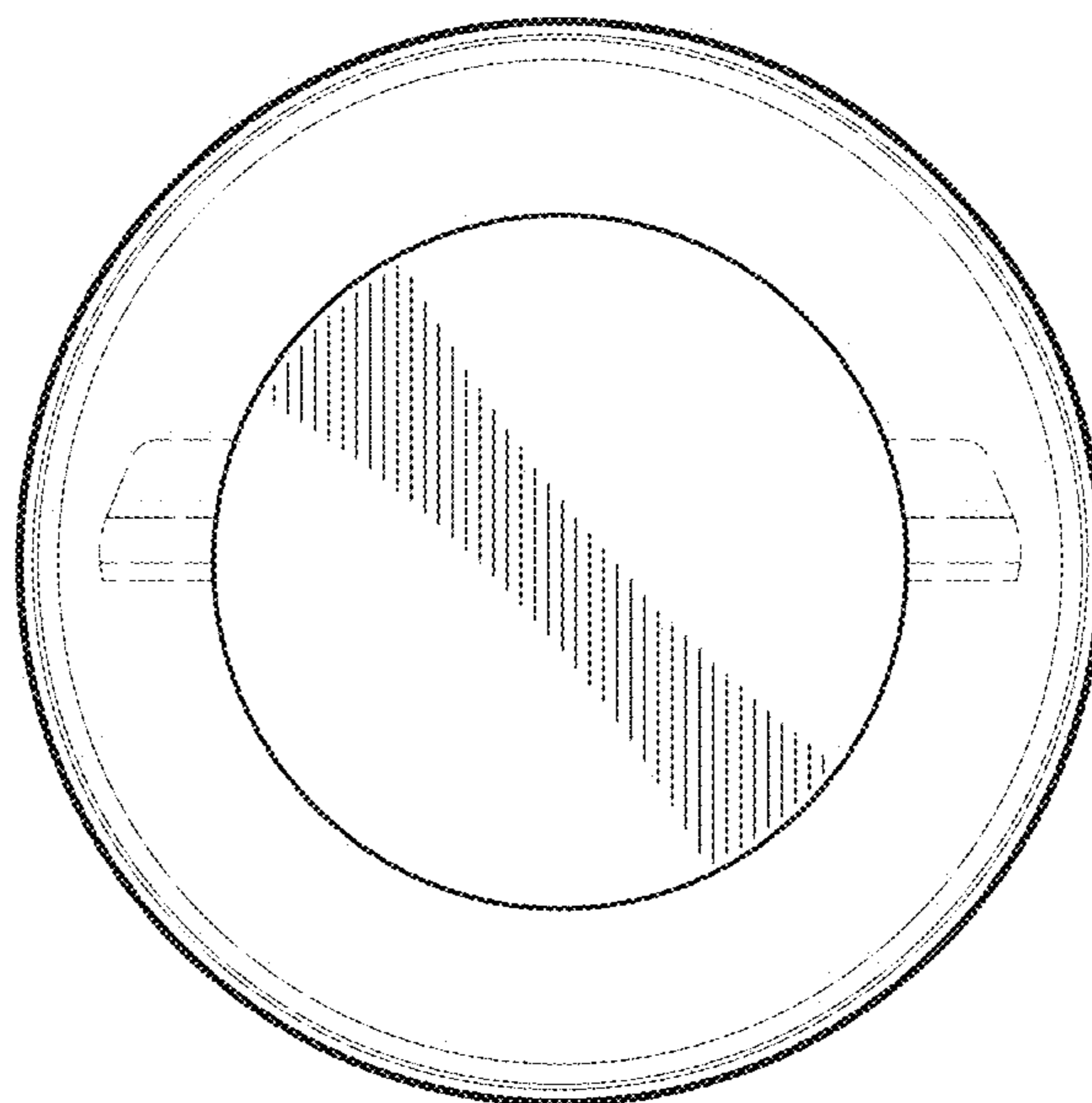


Fig. 10

