

US00D920330S

(12) **United States Design Patent**
Poulton

(10) **Patent No.:** **US D920,330 S**

(45) **Date of Patent:** **** May 25, 2021**

(54) **STORAGE DEVICE**

D277,964 S * 3/1985 Xanthopoulos D14/369
D286,050 S * 10/1986 Roots D14/368
D288,751 S 3/1987 Fuss et al.

(Continued)

(71) Applicant: **Seagate Technology LLC**, Cupertino,
CA (US)

(72) Inventor: **Neil Poulton**, Paris (FR)

FOREIGN PATENT DOCUMENTS

(73) Assignee: **Seagate Technology LLC**, Fremont,
CA (US)

CN 303377339 * 9/2015
CN 305302106 * 8/2019

(Continued)

(**) Term: **15 Years**

OTHER PUBLICATIONS

(21) Appl. No.: **29/644,568**

LaCie 8TB 2big Dock Thunderbolt 3 RAID Storage, brand not listed, apple.com, author unlisted, published on Jun. 2, 2020 © 2020 Apple Inc., online, site visited Jul. 2, 2020. Available at URL: <https://www.apple.com/nz/shop/product/HLL72ZM/a/lacie-8tb-2big-dock-thunderbolt-3-raid-storage> (Year: 2020).*

(Continued)

(22) Filed: **Apr. 18, 2018**

(51) **LOC (13) Cl.** **14-02**

(52) **U.S. Cl.**
USPC **D14/348**

(58) **Field of Classification Search**
USPC D14/140.1, 140.2, 240, 242, 301–302,
D14/308, 348–349, 351–359, 440–441,
D14/444, 446, 310, 313; D9/424, 430,
D9/432–433; 206/706–709, 722–725;
D13/184; D23/364
CPC H05K 5/00; H05K 5/03
See application file for complete search history.

Primary Examiner — Marissa J Cash
Assistant Examiner — Altaira J Swangin
(74) *Attorney, Agent, or Firm* — Mueting Raasch Group

(57) **CLAIM**

The ornamental design for a storage device, as shown and described.

(56) **References Cited**

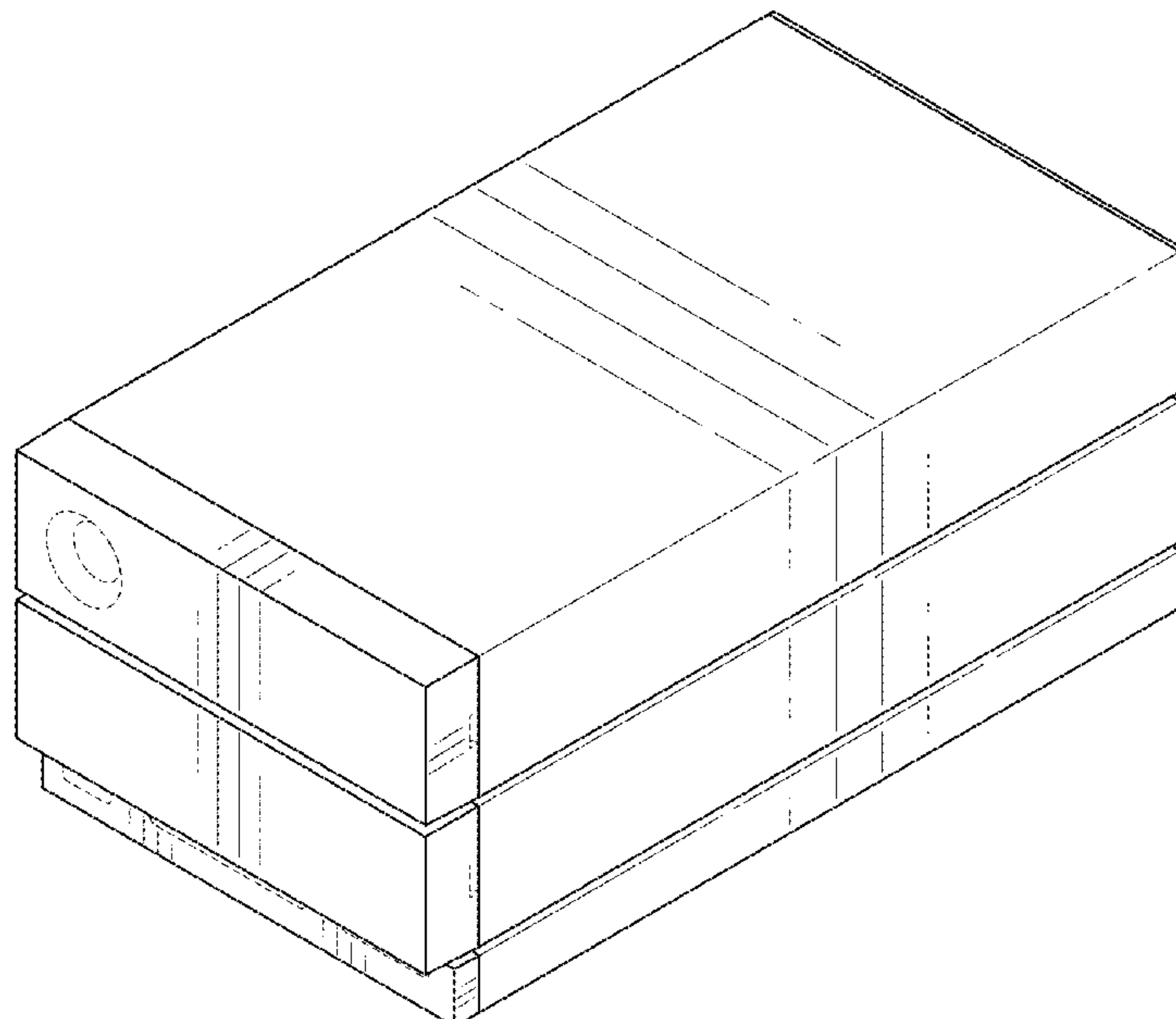
DESCRIPTION

U.S. PATENT DOCUMENTS

129,688 A	7/1872	Smith	
460,252 A	9/1891	Lehmann	
1,047,931 A	12/1912	Gilmore	
D101,781 S	11/1936	Krick	
D102,424 S	12/1936	Gardiner	
D151,964 S	12/1948	Buckner	
D196,372 S	9/1963	Mager	
3,529,878 A	9/1970	Blowers	
3,880,292 A	4/1975	Kitchen	
D256,926 S *	9/1980	Oka D19/195
D270,409 S	9/1983	Hannah	

FIG. 1 is a front right perspective view of a storage device; FIG. 2 is a front elevation view of the design of FIG. 1; FIG. 3 is a rear elevation view of the design of FIG. 1; FIG. 4 is a right side elevation view of the design of FIG. 1; FIG. 5 is a left side elevation view of the design of FIG. 1; FIG. 6 is a top plan view of the design of FIG. 1; and, FIG. 7 is a bottom plan view of the design of FIG. 1. The dash-dash broken lines in the figures represent environment and form no part of the claimed design.

1 Claim, 7 Drawing Sheets



(56)

References Cited

U.S. PATENT DOCUMENTS

D288,752 S 3/1987 Fuss et al.
 D288,753 S 3/1987 Fuss et al.
 D288,754 S 3/1987 Fuss et al.
 D290,961 S * 7/1987 Mendel D14/388
 D296,898 S * 7/1988 Hara D14/368
 D298,628 S * 11/1988 Merino D14/368
 D302,150 S * 7/1989 Hara D14/368
 D306,437 S * 3/1990 Hara D14/368
 D306,579 S * 3/1990 Hara D14/368
 D310,999 S 10/1990 Nuttall et al.
 D318,866 S * 8/1991 Hillis D14/308
 D332,399 S * 1/1993 Neff D9/423
 D339,573 S * 9/1993 Gifford D14/362
 5,246,105 A 9/1993 Eykmann et al.
 D348,574 S 7/1994 Brunner et al.
 5,358,321 A 10/1994 Leonardi
 D361,430 S 8/1995 Mohundro
 D380,926 S * 7/1997 Goodburn D6/632
 D408,203 S * 4/1999 D'Agaro D6/627
 D431,931 S * 10/2000 Sicignano, III D6/517
 D501,736 S 2/2005 Kirkpatrick
 D516,556 S * 3/2006 Graziano D14/359
 D530,690 S * 10/2006 Takahashi D14/502
 D553,880 S 10/2007 Lewis
 D574,654 S * 8/2008 Kaiser D6/627
 D587,227 S * 2/2009 Sugiyama D14/500
 D632,507 S 2/2011 Sweeney
 D641,364 S * 7/2011 McParland D14/356
 D641,460 S * 7/2011 Choi D23/318
 D665,596 S 8/2012 Shawcross et al.
 D693,606 S 11/2013 Hertaus
 D695,290 S * 12/2013 Fukuoka D14/365
 D701,403 S 3/2014 Thompson
 D703,978 S 5/2014 Suthmann
 D706,228 S * 6/2014 Ishiura D13/162
 D741,624 S 10/2015 Freimuth
 D754,658 S * 4/2016 Sumii D14/363
 D765,445 S 9/2016 Persson
 D770,815 S 11/2016 Jackson et al.
 D772,221 S * 11/2016 Kacin D14/308
 D772,222 S * 11/2016 Kacin D14/308
 D772,223 S * 11/2016 Kacin D14/308
 D772,224 S * 11/2016 Kacin D14/308
 D776,106 S * 1/2017 Gessford D14/313
 D782,501 S * 3/2017 Vulk D14/485
 D784,736 S 4/2017 Chen
 D787,513 S * 5/2017 Basil D14/365
 D811,099 S * 2/2018 Marchand D6/310
 D811,483 S * 2/2018 Sumii D21/332
 D823,134 S * 7/2018 O'Neill D9/759
 D824,192 S * 7/2018 Poulton D6/663
 D824,193 S * 7/2018 Poulton D6/663

D839,356 S * 1/2019 Sumii D21/333
 D840,006 S * 2/2019 Fritz D23/318
 D844,454 S * 4/2019 O'Neill D9/737
 D844,455 S * 4/2019 O'Neill D9/737
 D844,456 S * 4/2019 O'Neill D9/737
 D845,787 S * 4/2019 O'Neill D9/737
 D845,788 S * 4/2019 O'Neill D9/737
 D849,001 S * 5/2019 Nokuo D14/355
 D849,730 S * 5/2019 Charette D14/240
 D856,317 S * 8/2019 Bone D14/242
 D864,756 S * 10/2019 O'Neill D9/737
 D864,757 S * 10/2019 O'Neill D9/737
 D864,758 S * 10/2019 O'Neill D9/737
 D865,139 S * 10/2019 Kusuki D23/318
 10,791,634 B2 * 9/2020 Inoue H05K 5/03
 D899,421 S * 10/2020 Deb D14/313
 2005/0061021 A1 3/2005 Uihlein et al.
 2006/0070992 A1 * 4/2006 Weber H02G 3/086
 220/4.21
 2011/0031140 A1 2/2011 Clissem
 2016/0264285 A1 * 9/2016 Madwar B65D 5/6697
 2020/0068736 A1 * 2/2020 Kelly H02B 1/01
 2020/0068743 A1 * 2/2020 Kuo G11B 33/1413
 2020/0187394 A1 * 6/2020 Murugesan G06F 30/23

FOREIGN PATENT DOCUMENTS

EM 005801636-0001 * 1/2019
 EM 005801636-0002 * 1/2019
 JP D1072914 * 6/2000
 JP D1144921 * 6/2002

OTHER PUBLICATIONS

LaCie 8TB 2big 8TB 2-Day Thunderbolt 2 RAID Array, brand not listed, bhphotovideo.com, author unlisted, published on Nov. 11, 2014 © 2000-2020 B&H Foto & Electronics, online, site visited Sep. 20, 2020. Available at URL: https://www.bhphotovideo.com/c/product/1058361-REG/lacie_9000438u_8tb_2big... (Year: 2014).*
 Mobius 2-Bay FireWire 800 Hard Drive Enclosure, Oyen Digital, amazon.com, published by Oyen Digital on Feb. 16, 2015 © 1996-2020 Amazon.com, Inc., online, site visited Sep. 20, 2020. Available at URL: https://www.amazon.com/dp/B00TOYNJYW/ref=dp_cerb_1 (Year: 2015).*
 U.S. Appl. No. 29/599,247, filed Mar. 31, 2017, Poulton.
 U.S. Appl. No. 29/599,253, filed Mar. 31, 2017, Poulton.
 Benjamin, "LaCie launches new '2big' Thunderbolt 3-enabled dock", 9to5Mac, Apr. 19, 2017. Retrieved from the Internet on Apr. 19, 2018, 6 pages. Retrieved from <<https://9to5mac.com/2017/04/19/lacie-launches-new-2big-thunderbolt-3-enabled-dock-macbook-pro-usb-c/>>.

* cited by examiner

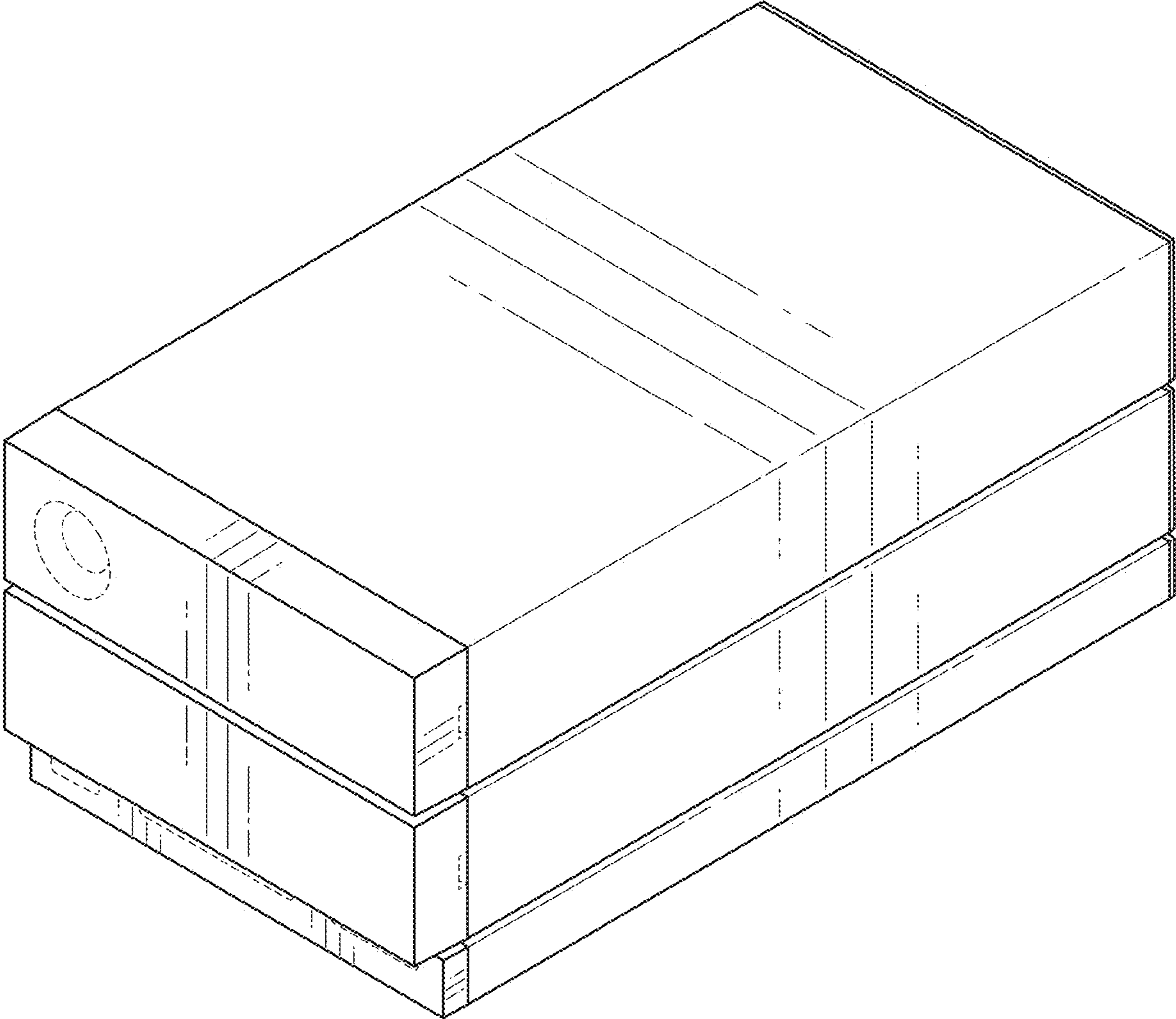


FIG. 1

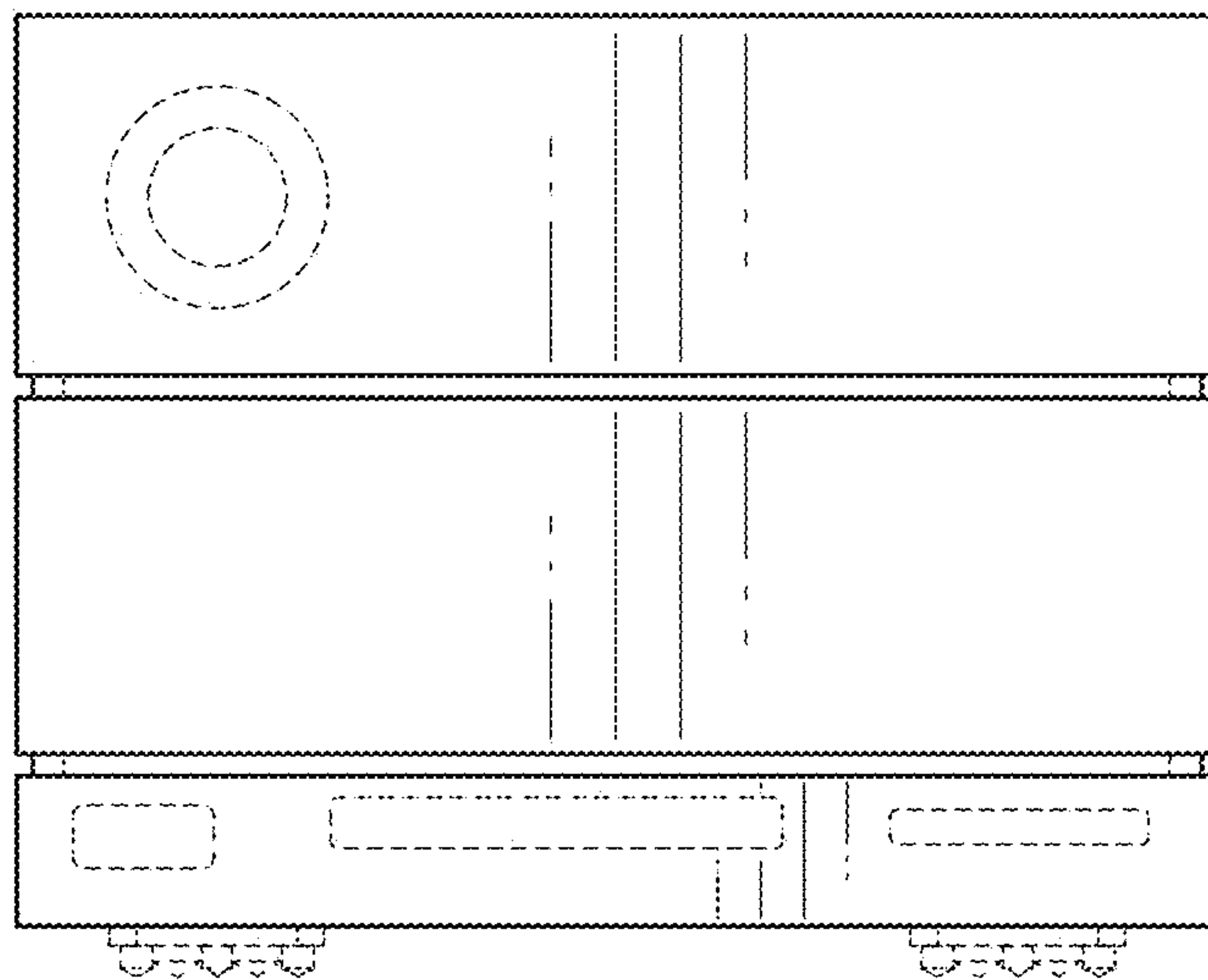


FIG. 2

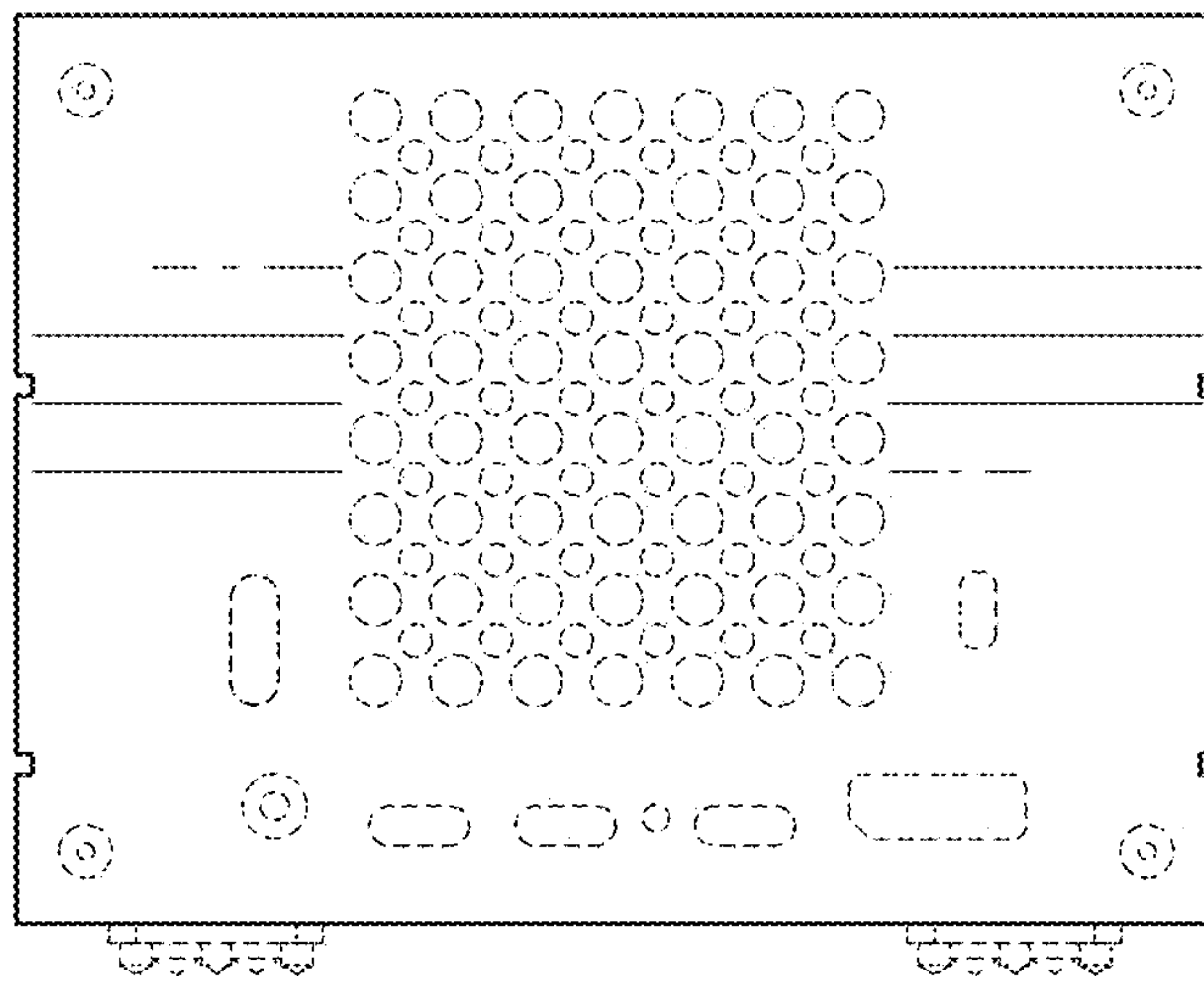


FIG. 3

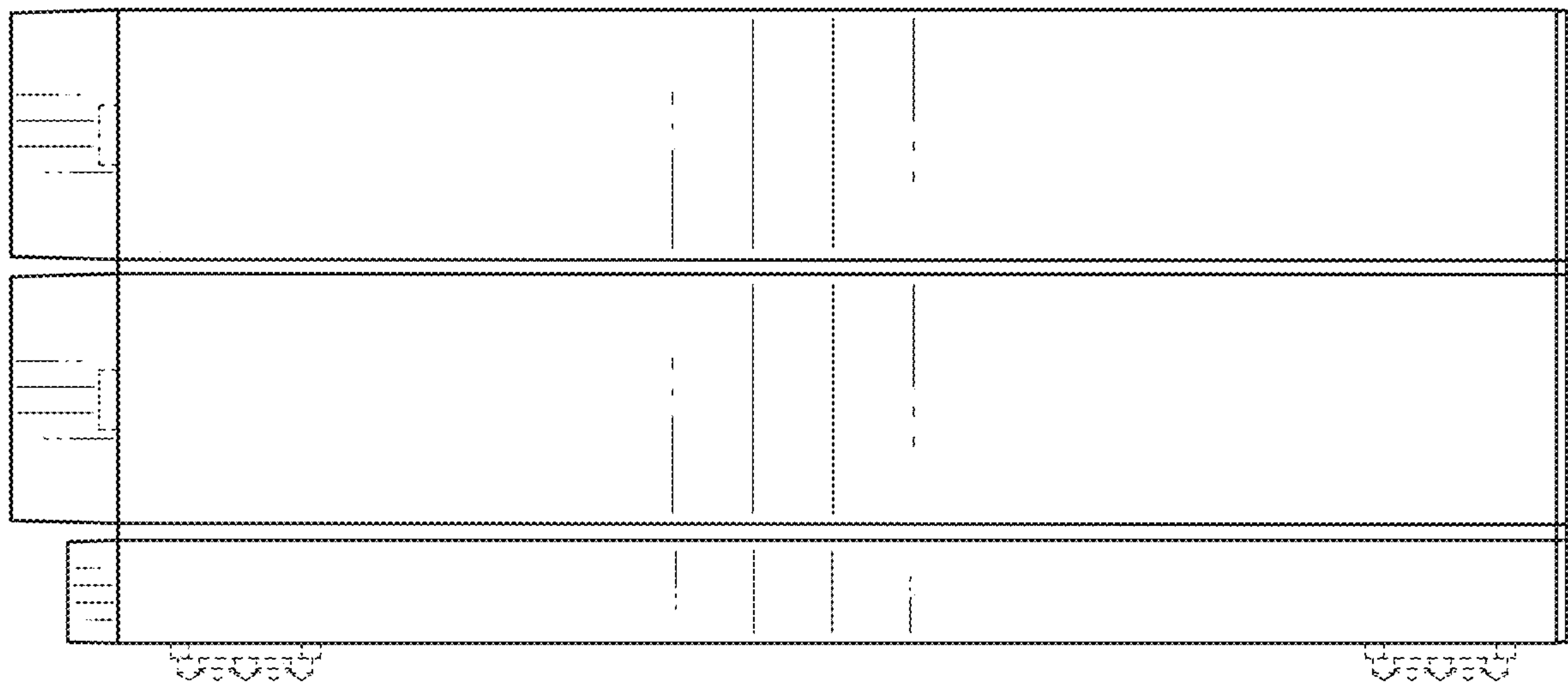


FIG. 4

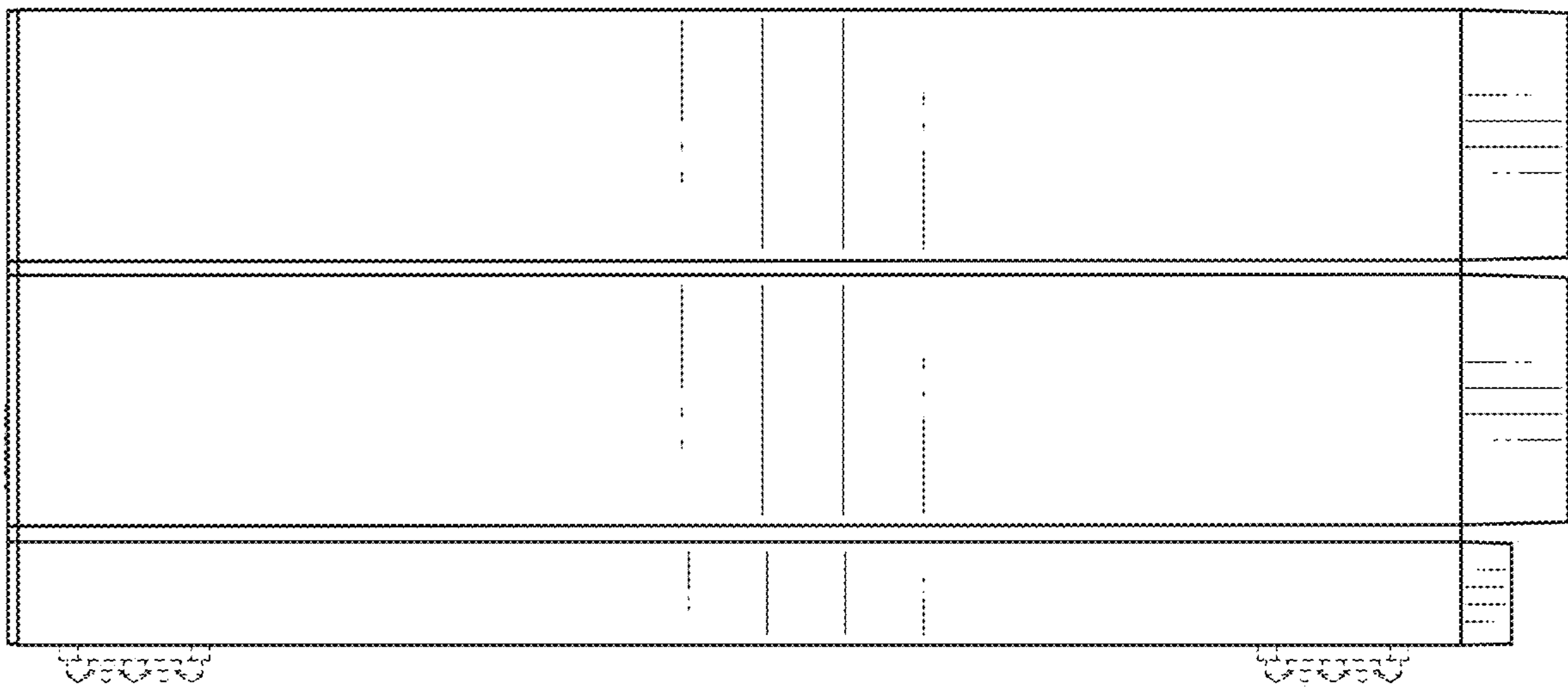


FIG. 5

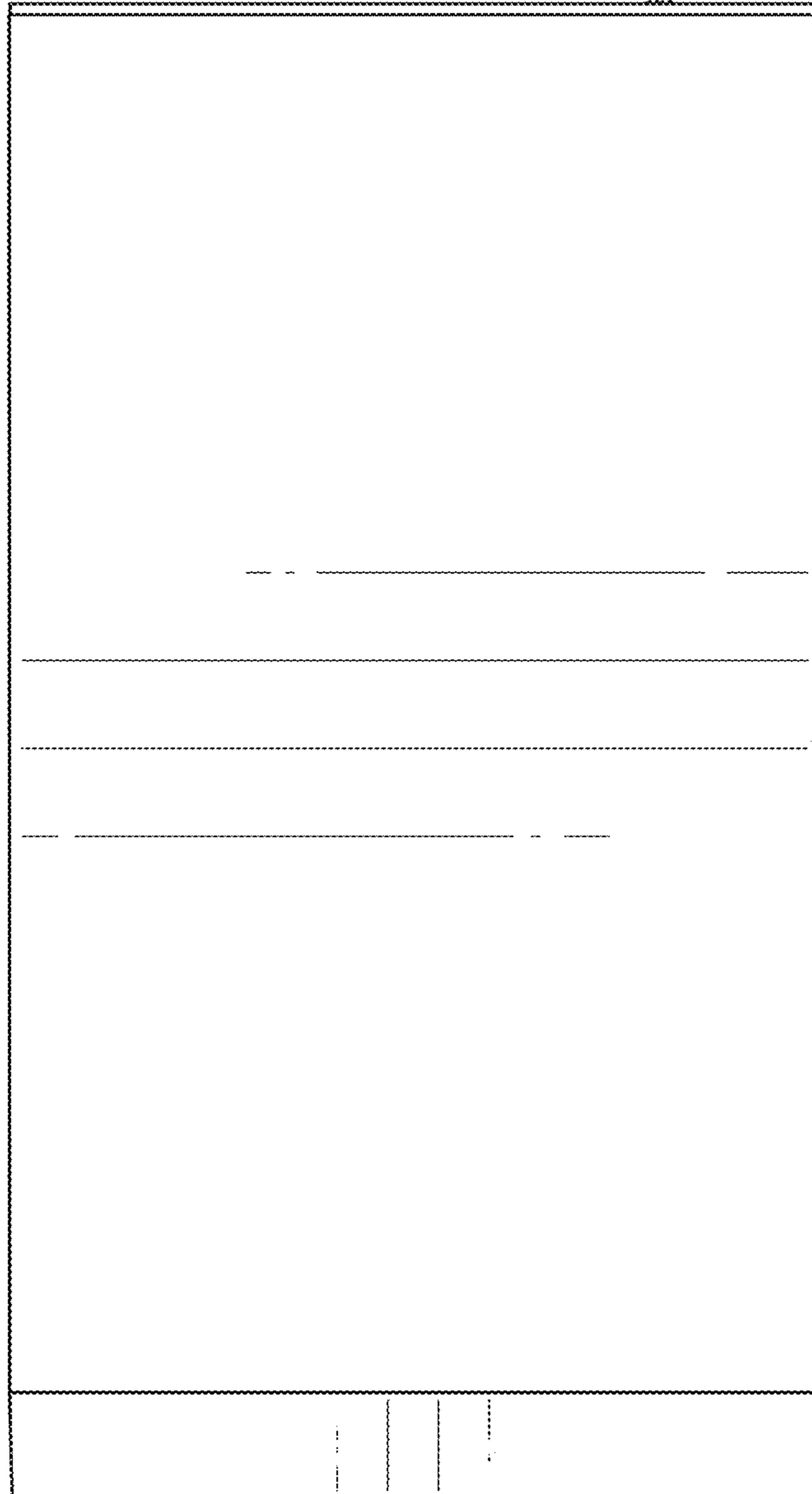


FIG. 6

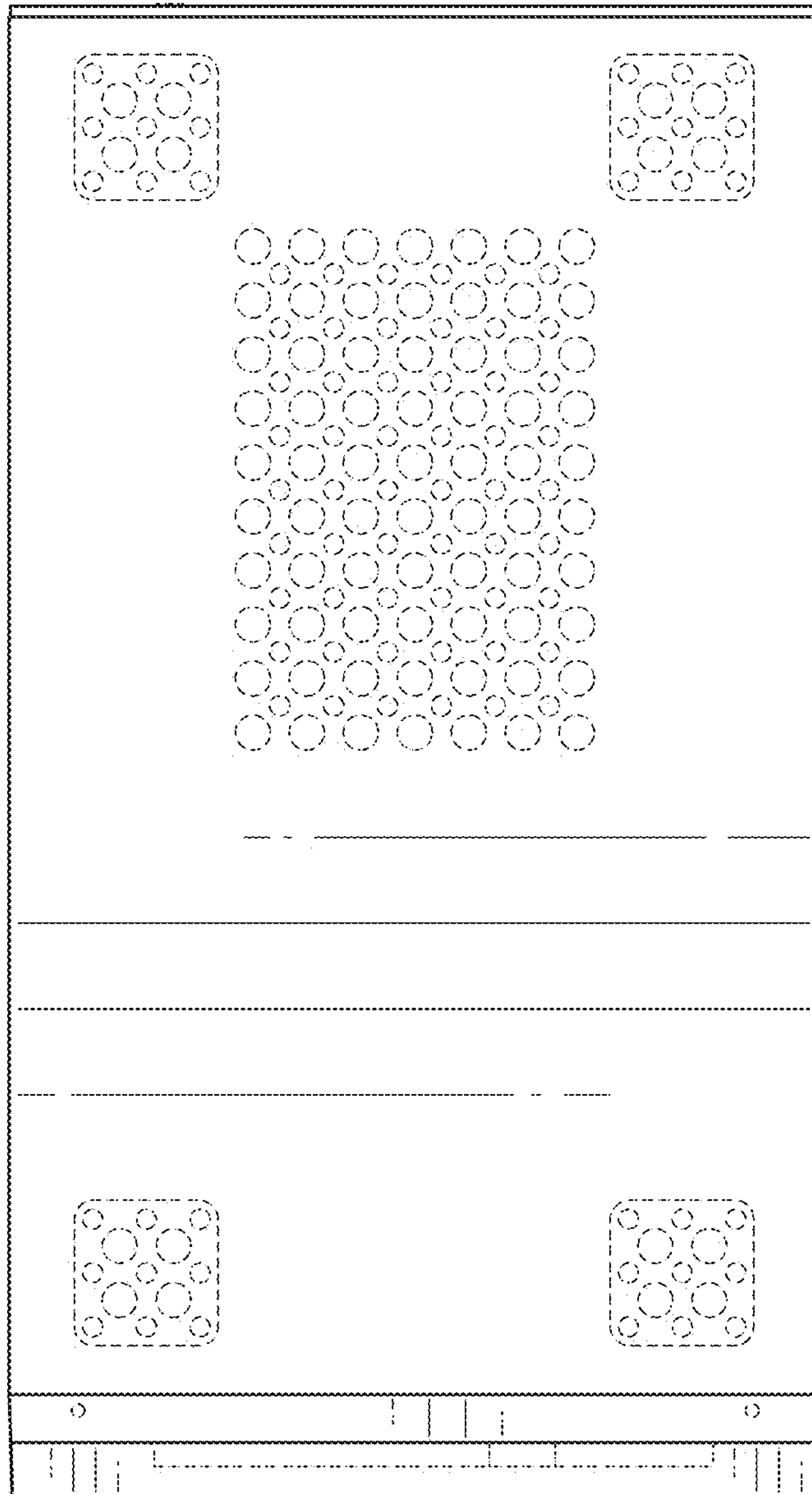


FIG. 7