



US00D920325S

(12) **United States Design Patent** (10) **Patent No.:** **US D920,325 S**
Andresen (45) **Date of Patent:** **** May 25, 2021**

(54) **VIDEO CONFERENCE DEVICE**

(71) Applicant: **Cisco Technology, Inc.**, San Jose, CA (US)
(72) Inventor: **Simen Andresen**, Hosle (NO)
(73) Assignee: **CISCO TECHNOLOGY, INC.**, San Jose, CA (US)

(**) Term: **15 Years**

(21) Appl. No.: **29/697,503**

(22) Filed: **Jul. 9, 2019**

(51) **LOC (13) Cl.** **14-02**

(52) **U.S. Cl.**
USPC **D14/336**

(58) **Field of Classification Search**
USPC D14/336, 337, 341, 375, 376, 377, 127, D14/128, 129, 371, 372, 373, 374, 126
CPC G06F 1/1601; G06F 1/1605; G06F 1/162
See application file for complete search history.

(56) **References Cited**

U.S. PATENT DOCUMENTS

D606,071 S	*	12/2009	Wu	D14/336
D615,527 S	*	5/2010	Hwang	D14/203.8
D643,001 S		8/2011	Shimizu		
D649,950 S		12/2011	Chiu		
D651,185 S		12/2011	Andresen		
D661,672 S		6/2012	Kim		
D670,257 S		11/2012	Yang et al.		
D680,979 S		4/2013	Chen		
D718,730 S		12/2014	Andresen et al.		
D732,491 S	*	6/2015	Choi	D14/126
D739,364 S		9/2015	Mellingen et al.		
D742,342 S		11/2015	Ostensen et al.		

(Continued)

FOREIGN PATENT DOCUMENTS

EP		2006595 A2	*	12/2008	F16M 11/38
KR		300697159.0000	*	6/2013	14/2

OTHER PUBLICATIONS

Best Buy. Link: <https://www.bestbuy.com/site/microsoft-surface-studio-2-28-touch-screen-all-in-one-intel-core-i7-32gb-memory-1tb-solid-state-drive-latest-model-platinum/6302203.p?skuId=6302203>. Visited Oct. 7, 2020. Microsoft—Surface Studio 2—28" Touch-Screen All-In-One. (Year: 2020).*

(Continued)

Primary Examiner — Lauren D McVey

(74) *Attorney, Agent, or Firm* — Edell, Shapiro & Finann, LLC

(57) **CLAIM**

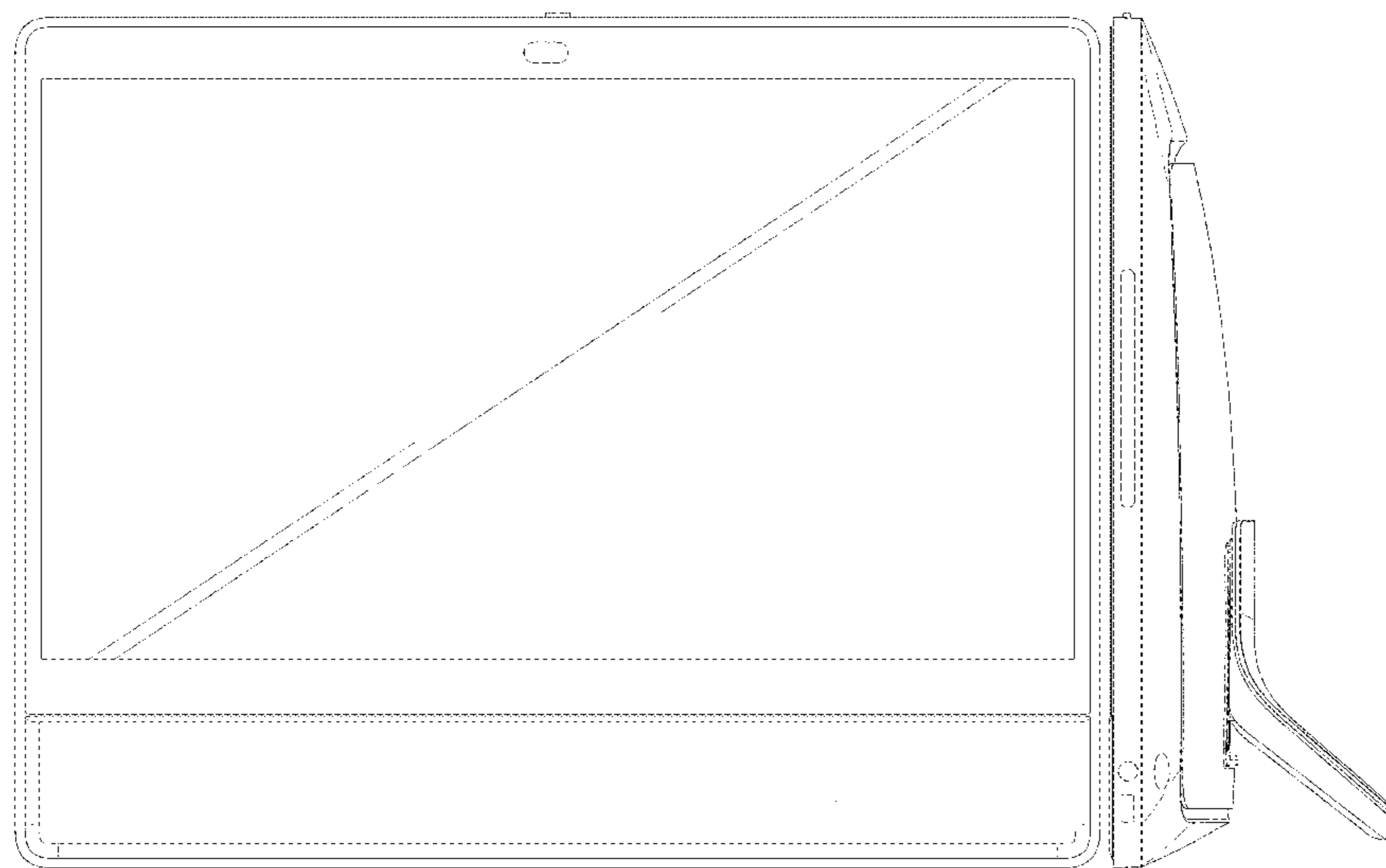
The ornamental design for a video conference device, as shown and described.

DESCRIPTION

FIG. 1 is a front perspective view of a video conference device showing my new design;
FIG. 2 is a rear perspective view of the video conference device of FIG. 1;
FIG. 3 is a front view of the video conference device of FIG. 1;
FIG. 4 is a rear view of the video conference device of FIG. 1;
FIG. 5 is a first side view of the video conference device of FIG. 1;
FIG. 6 is a second side view of the video conference device of FIG. 1;
FIG. 7 is a top view of the video conference device of FIG. 1; and,
FIG. 8 is a bottom view of the video conference device of FIG. 1.

The broken lines immediately adjacent the claim depict the bounds of the claimed design, while all other broken lines depict portions of the article that form no part of the claimed design. The wire frame lines shown throughout the views indicate surface contour.

1 Claim, 6 Drawing Sheets



(56)

References Cited

U.S. PATENT DOCUMENTS

D742,845 S	11/2015	Ostensen et al.	
D755,783 S *	5/2016	Shi	D14/336
D756,358 S *	5/2016	Jagoe	D14/375
D769,240 S *	10/2016	Yu	D14/336
D805,050 S *	12/2017	Lim	D14/126
D817,329 S *	5/2018	Chu	D14/374
D826,879 S	8/2018	Sitoh et al.	
D829,711 S *	10/2018	Akana	D14/336
D836,580 S	12/2018	Østensen et al.	
D836,581 S	12/2018	Andresen et al.	
D837,172 S	1/2019	Haugen et al.	
D852,794 S *	7/2019	Huebner	D14/341
D864,137 S *	10/2019	Chang	D14/129
D869,418 S *	12/2019	Lim	D14/126
D889,456 S *	7/2020	Yao	D14/336

OTHER PUBLICATIONS

Groupon. Link: <https://www.groupon.com/deals/gg-hp-touchscreen-all-in-one-pc>. Visited Oct. 7, 2020. HP 21.5" Touchscreen All-in-One PC with Intel Core i3-4130T CPU, 8GB RAM, and 1TB HDD (Manufacturer Refurbished). (Year: 2020).*

Cisco, "Cisco Webex DX80", <https://www.cisco.com/en/us/products/collaboration-endpoints/dx80/infindex.html>, downloaded Jul. 9, 2019, 5 pages.

* cited by examiner



FIG.1

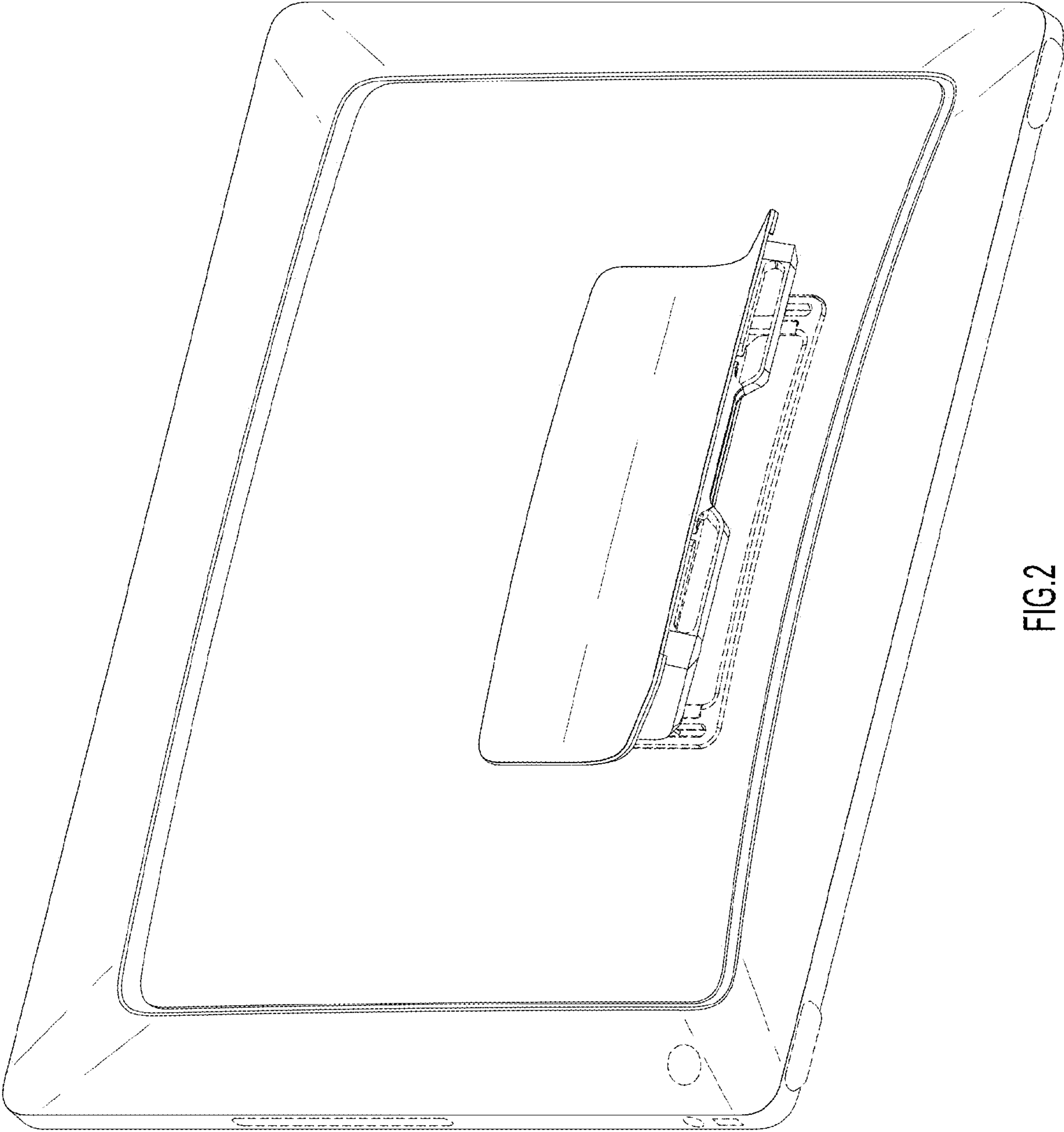


FIG.2

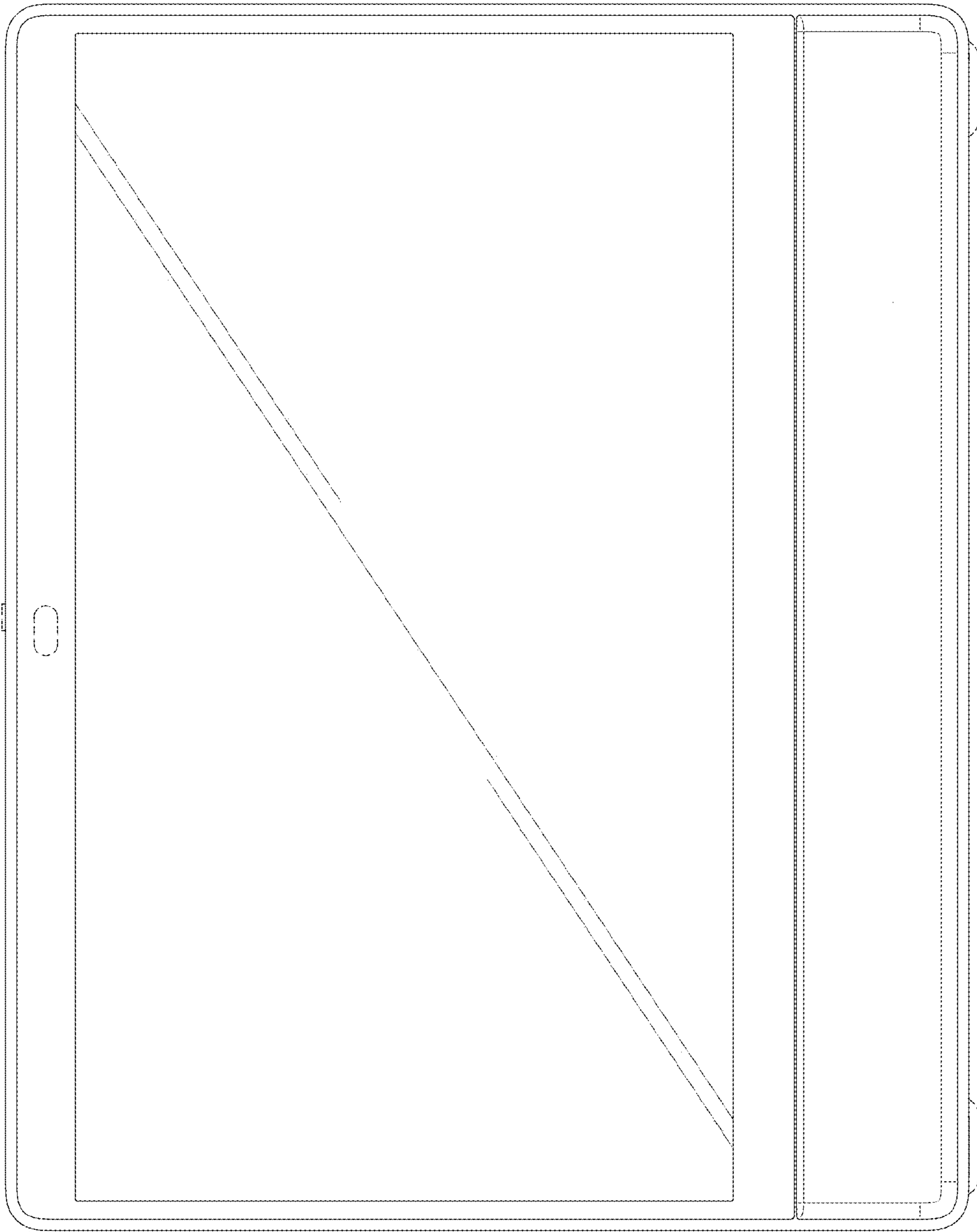


FIG.3

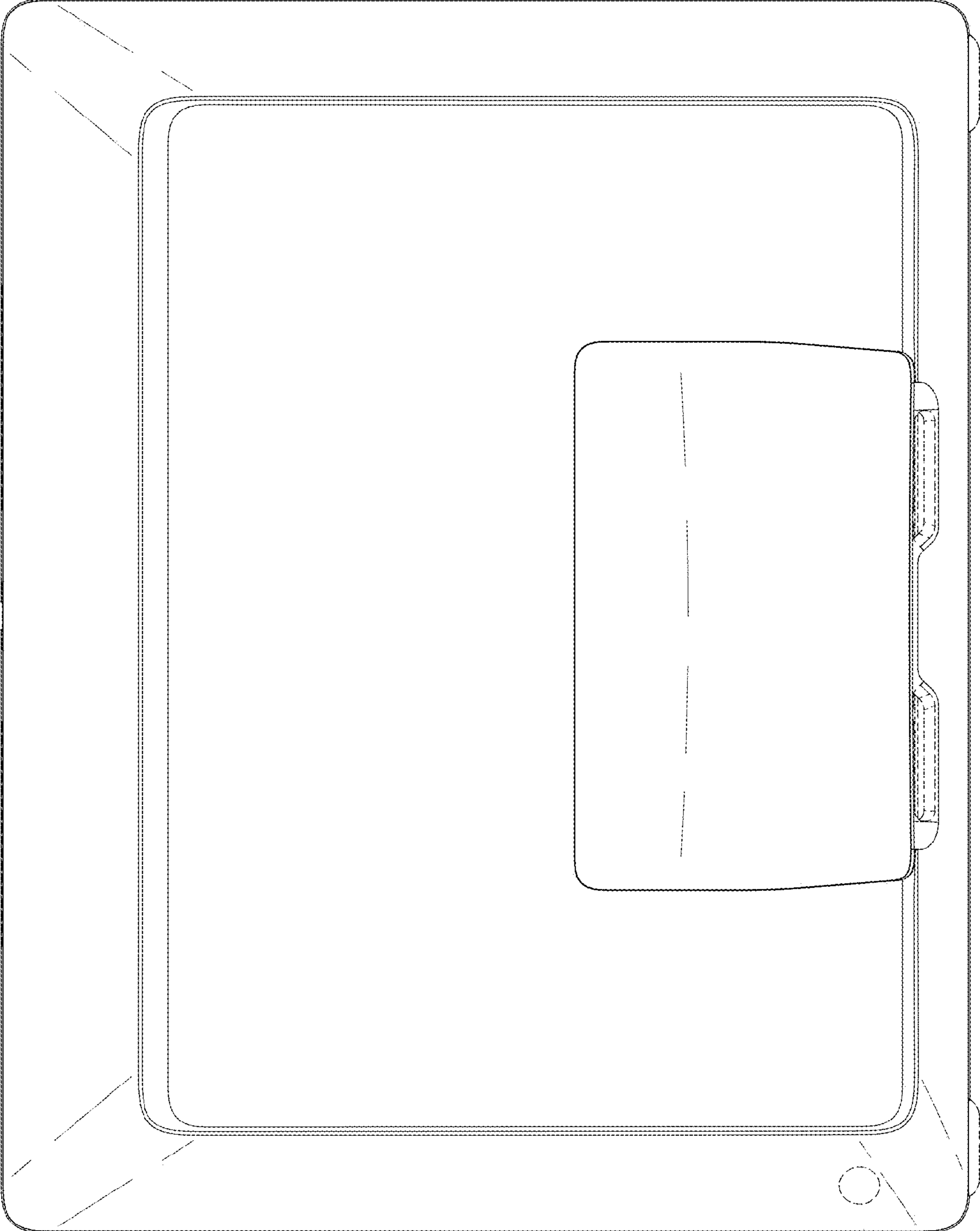


FIG.4

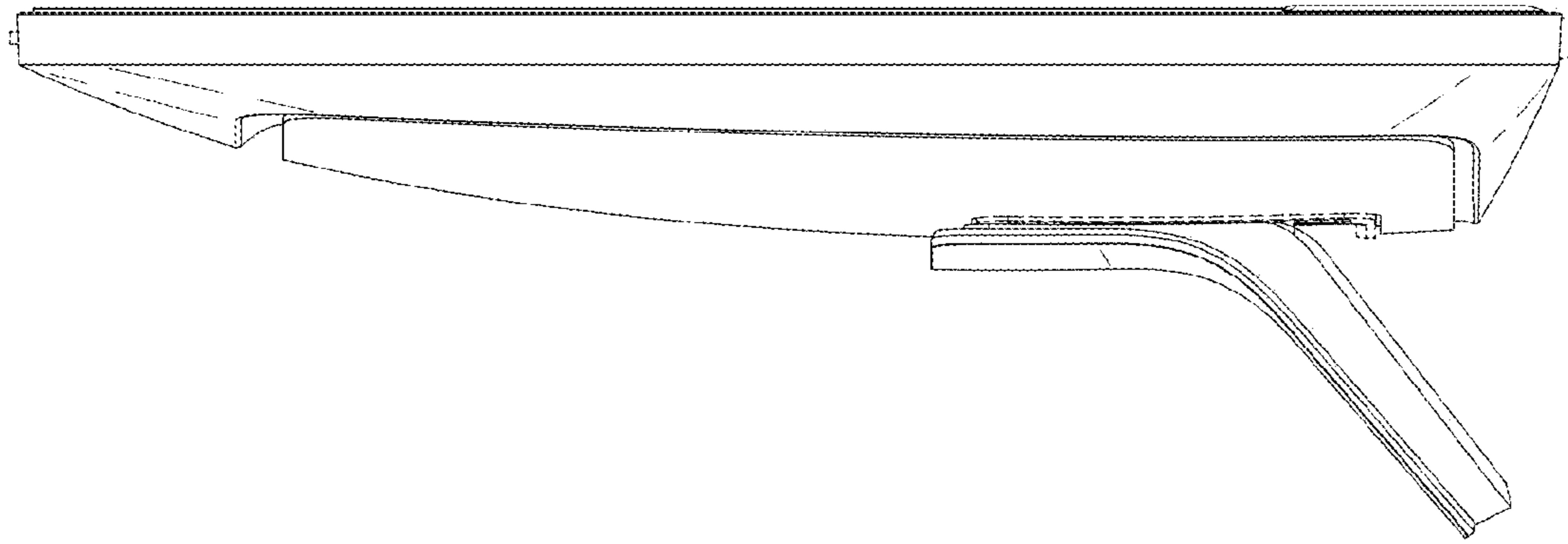


FIG. 6

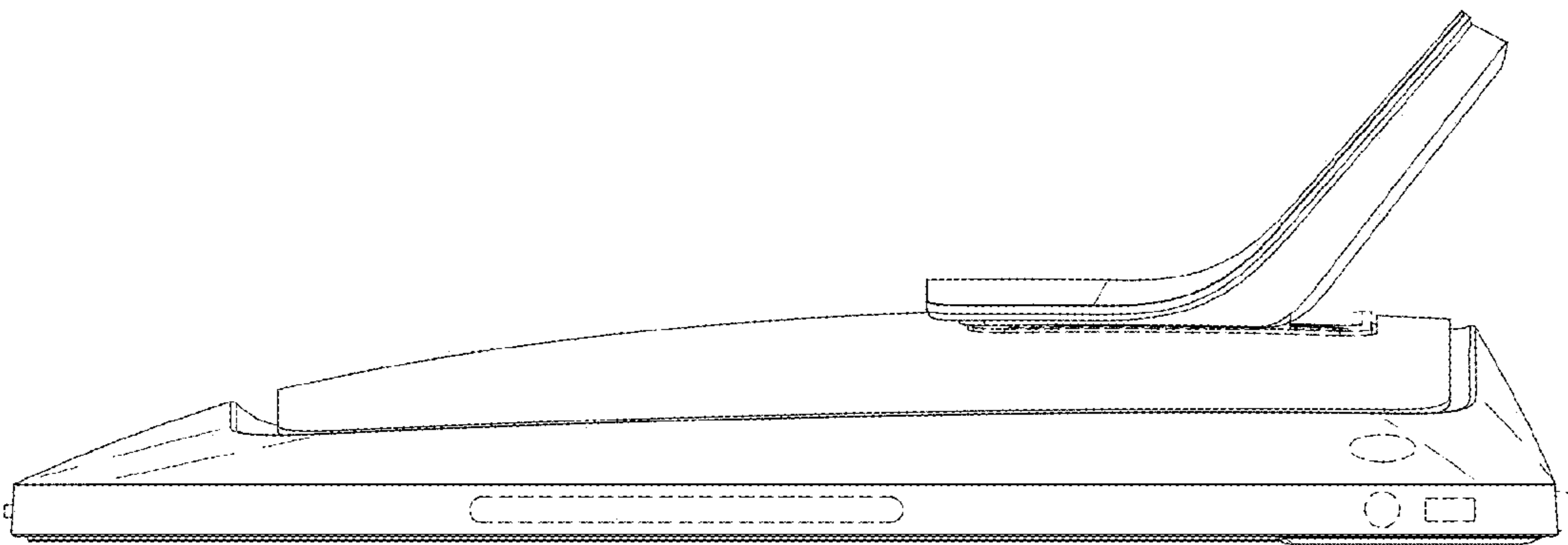


FIG. 5

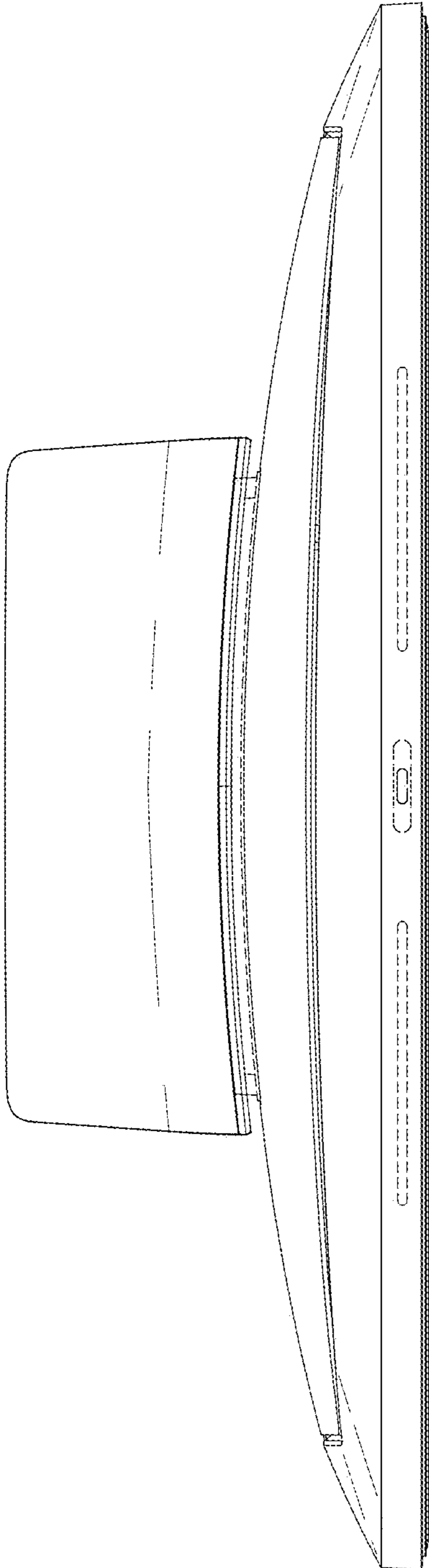


FIG. 7

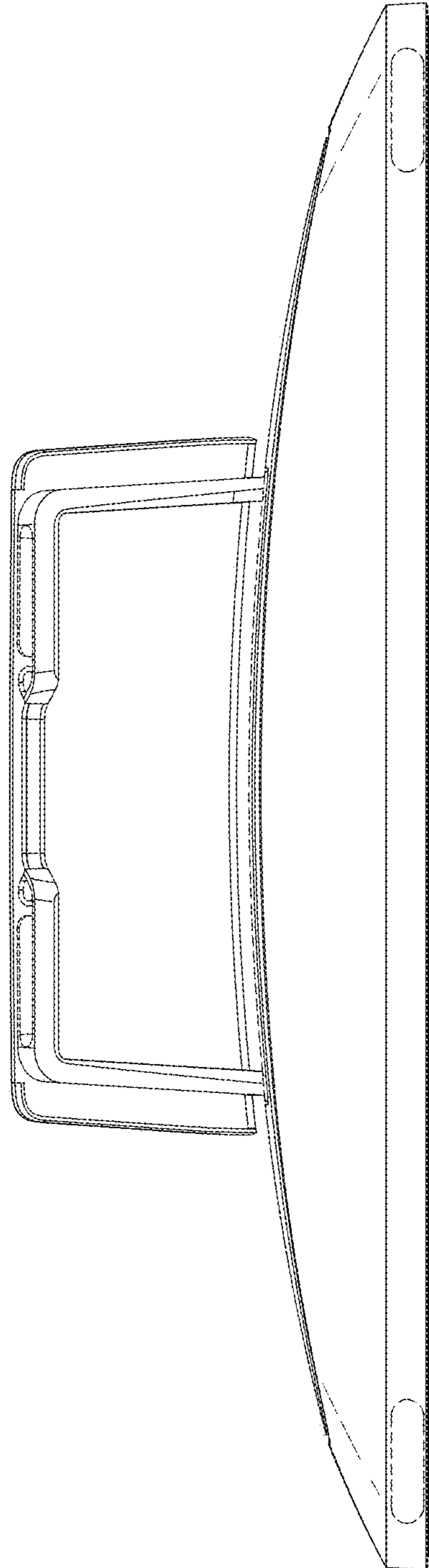


FIG. 8