



US00D920323S

(12) **United States Design Patent** (10) **Patent No.:** **US D920,323 S**
Lee et al. (45) **Date of Patent:** **** May 25, 2021**

(54) **SELF ORDERING TERMINAL WITH TOUCH SCREEN**

(71) Applicant: **LG ELECTRONICS INC.**, Seoul (KR)

(72) Inventors: **Yongho Lee**, Seoul (KR); **Jungyeon Hwang**, Seoul (KR)

(73) Assignee: **LG ELECTRONICS INC.**, Seoul (KR)

(**) Term: **15 Years**

(21) Appl. No.: **35/508,841**

(22) Filed: **May 21, 2019**

(80) **Hague Agreement Data**

Int. Filing Date: **May 21, 2019**
Int. Reg. No.: **DM/206419**
Int. Reg. Date: **May 21, 2019**
Int. Reg. Pub. Date: **Mar. 20, 2020**

(30) **Foreign Application Priority Data**

Nov. 29, 2018 (KR) 30-2018-0055951

(51) **LOC (13) Cl.** **14-02**

(52) **U.S. Cl.**
USPC **D14/307**

(58) **Field of Classification Search**

USPC D06/300, 310; D14/300-302, 307, 371,
D14/374, 900-902; D19/113; D20/19,
D20/41; D99/28
CPC G06Q 20/18; G06Q 20/10; G06Q 20/123;
G06Q 20/20; G06Q 30/02; G06Q 30/06;
A47F 9/047

See application file for complete search history.

(56) **References Cited**

U.S. PATENT DOCUMENTS

D375,980 S * 11/1996 Current D20/40
D560,071 S * 1/2008 Frazier D6/310

D639,800 S * 6/2011 Magruder D14/307
D646,269 S * 10/2011 Crick, Jr. D14/307
D708,459 S * 7/2014 Heirakuji D6/675
D717,785 S * 11/2014 Winston D14/307
D732,015 S * 6/2015 Alekhin D14/307
D739,464 S * 9/2015 Liu D19/113
D752,142 S * 3/2016 Chung D18/53
D761,783 S * 7/2016 Kulkarni D14/307
D774,029 S * 12/2016 Kim D14/307
D776,651 S * 1/2017 Yates D14/307
D782,467 S * 3/2017 Bladwell D14/307
D783,596 S * 4/2017 Payne D14/307
D787,840 S * 5/2017 Spigler D6/310

(Continued)

OTHER PUBLICATIONS

42 inch touch screen kiosk android digital sign with LG screen, publication date Dec. 23, 2018, [online][site visited Feb. 9, 2021] URL: <https://www.hbmzg.com/42-inch-touch-screen-kiosk-android-digital-signage-with-lg-screen-p00147p1.html> (Year: 2018).*

Primary Examiner — L. A. Grabenstetter
(74) *Attorney, Agent, or Firm* — Birch, Stewart, Kolasch & Birch, LLP

(57) **CLAIM**

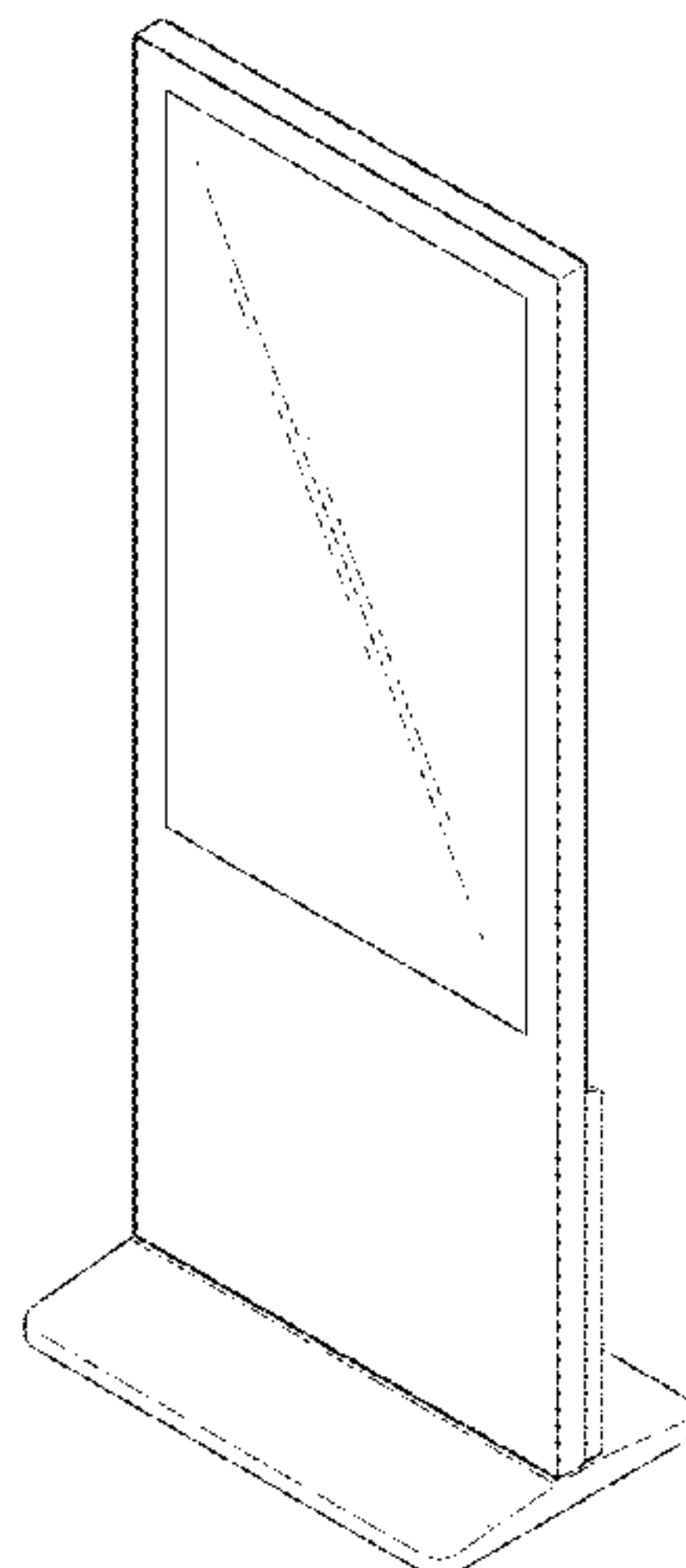
The ornamental design for a self ordering terminal with touch screen, as shown and described.

DESCRIPTION

- 1. Self ordering terminal with touch screen
- 1.1 : Perspective
- 1.2 : Front
- 1.3 : Back
- 1.4 : Left
- 1.5 : Right
- 1.6 : Top
- 1.7 : Bottom

The broken lines indicate portions of the article that form no part of the claimed design.

1 Claim, 7 Drawing Sheets



(56)

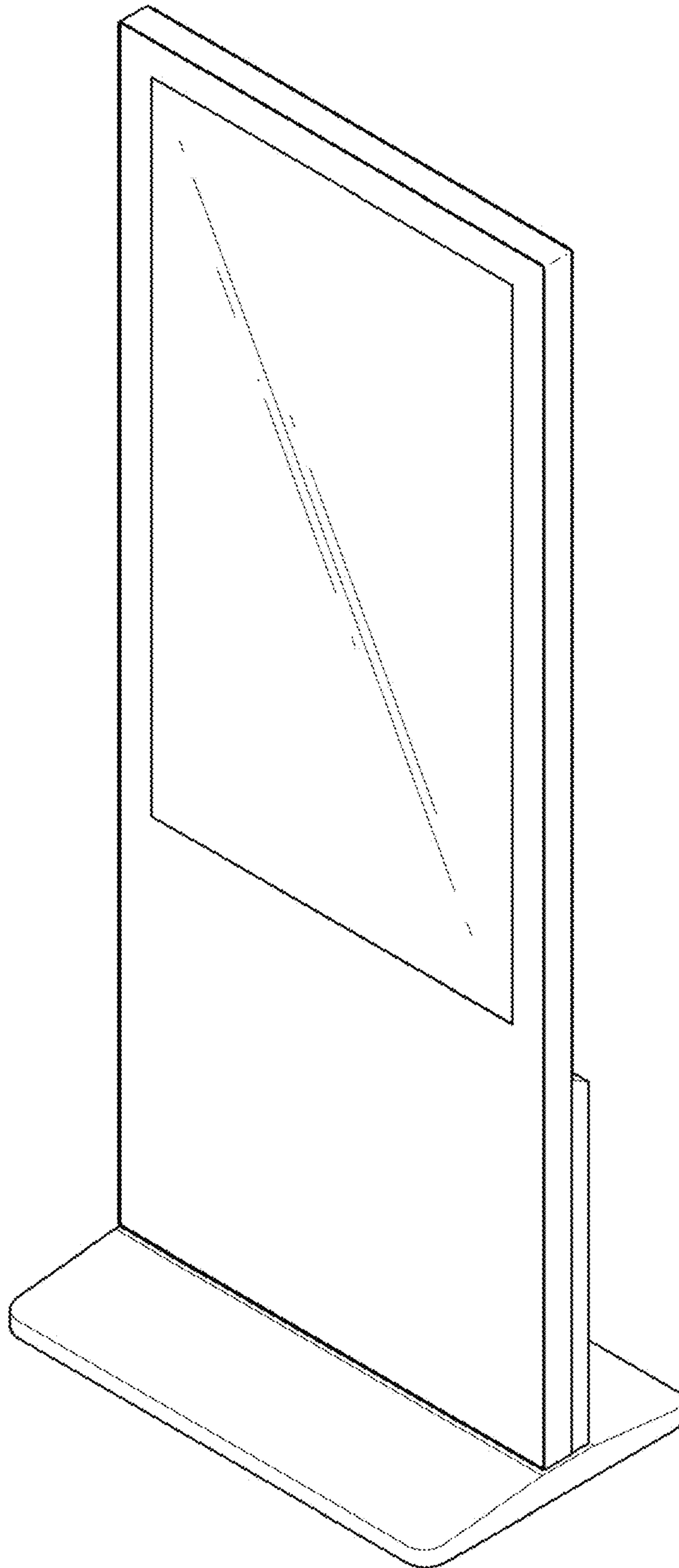
References Cited

U.S. PATENT DOCUMENTS

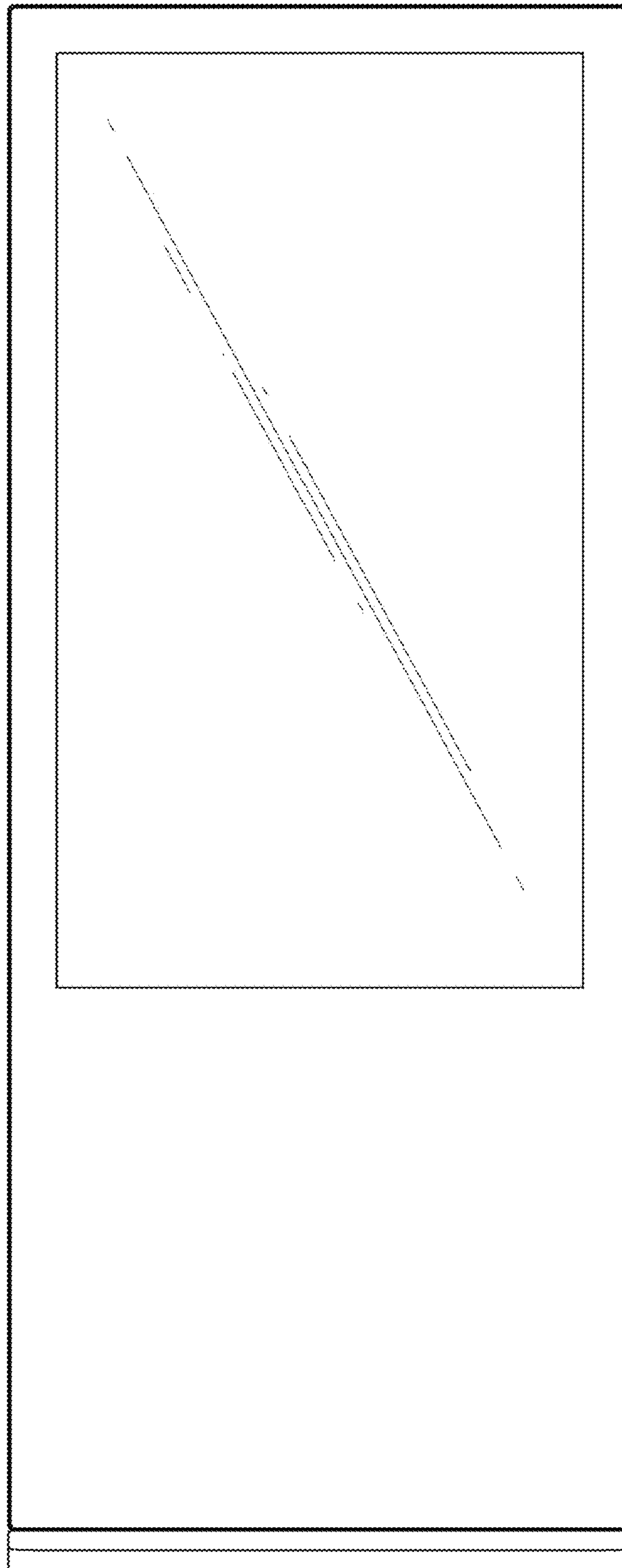
D801,327 S * 10/2017 Fergusson D14/307
D816,077 S * 4/2018 Benic D14/307
D833,427 S * 11/2018 Hansen D14/307
D840,960 S * 2/2019 Bishop D14/126
2015/0249353 A1* 9/2015 Hamilton, IV G07F 17/0042
320/114
2017/0074453 A1* 3/2017 Bowers G07F 17/00

* cited by examiner

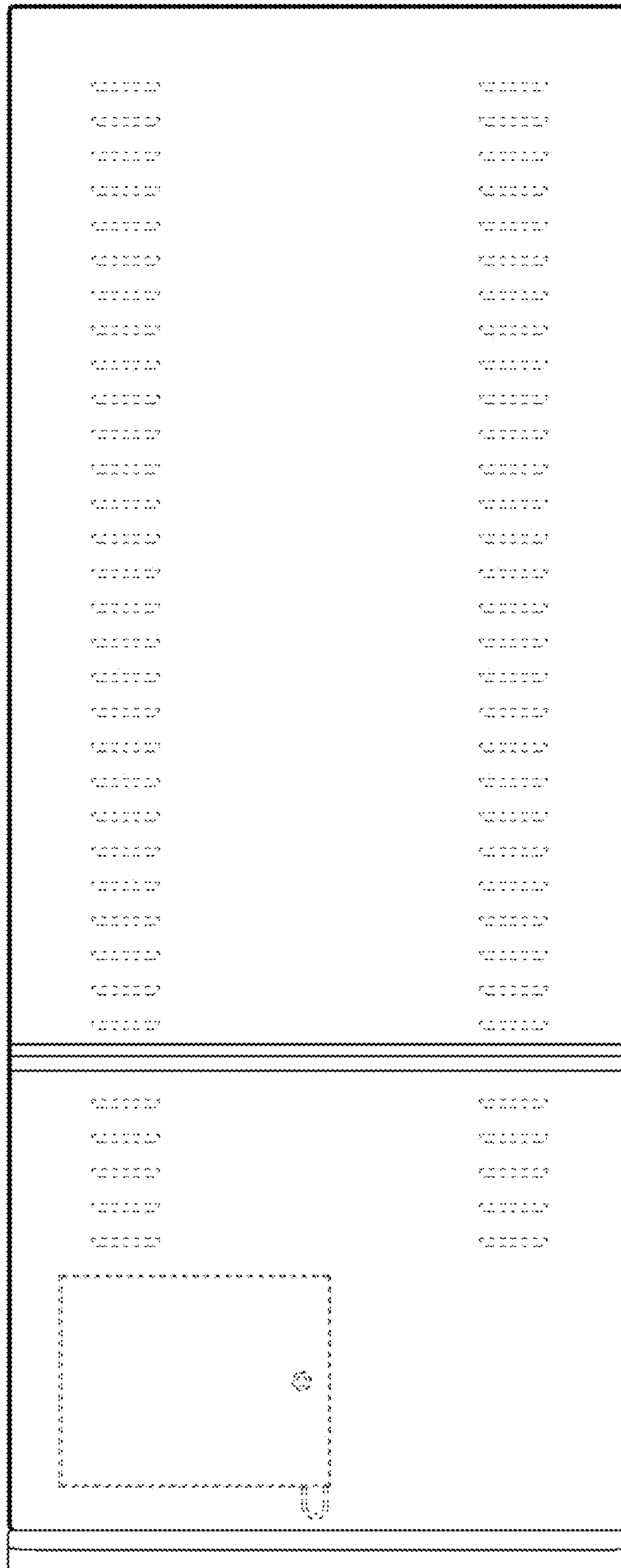
1.1



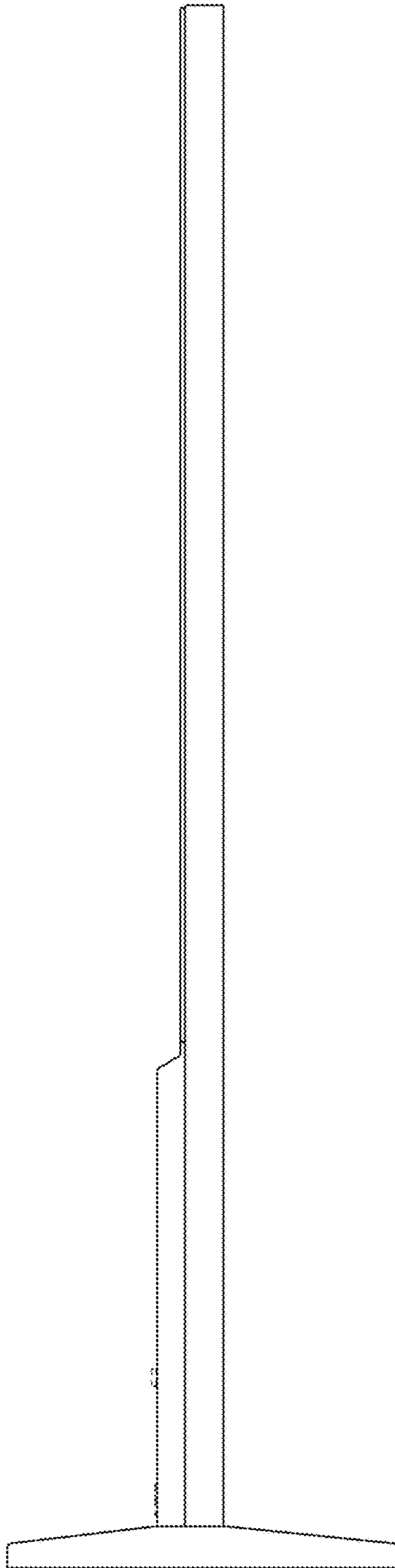
1.2



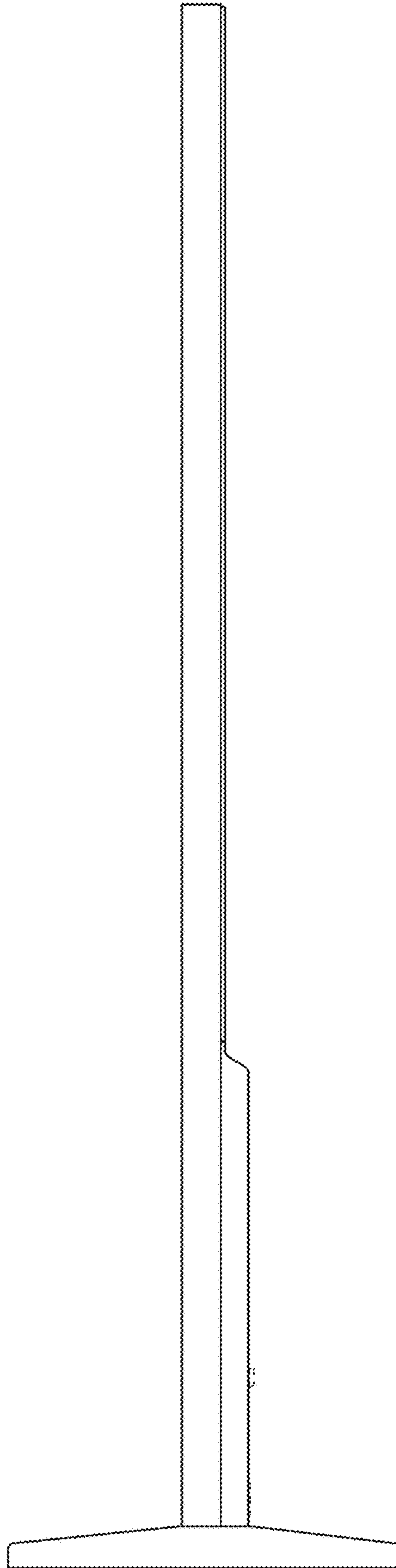
1.3



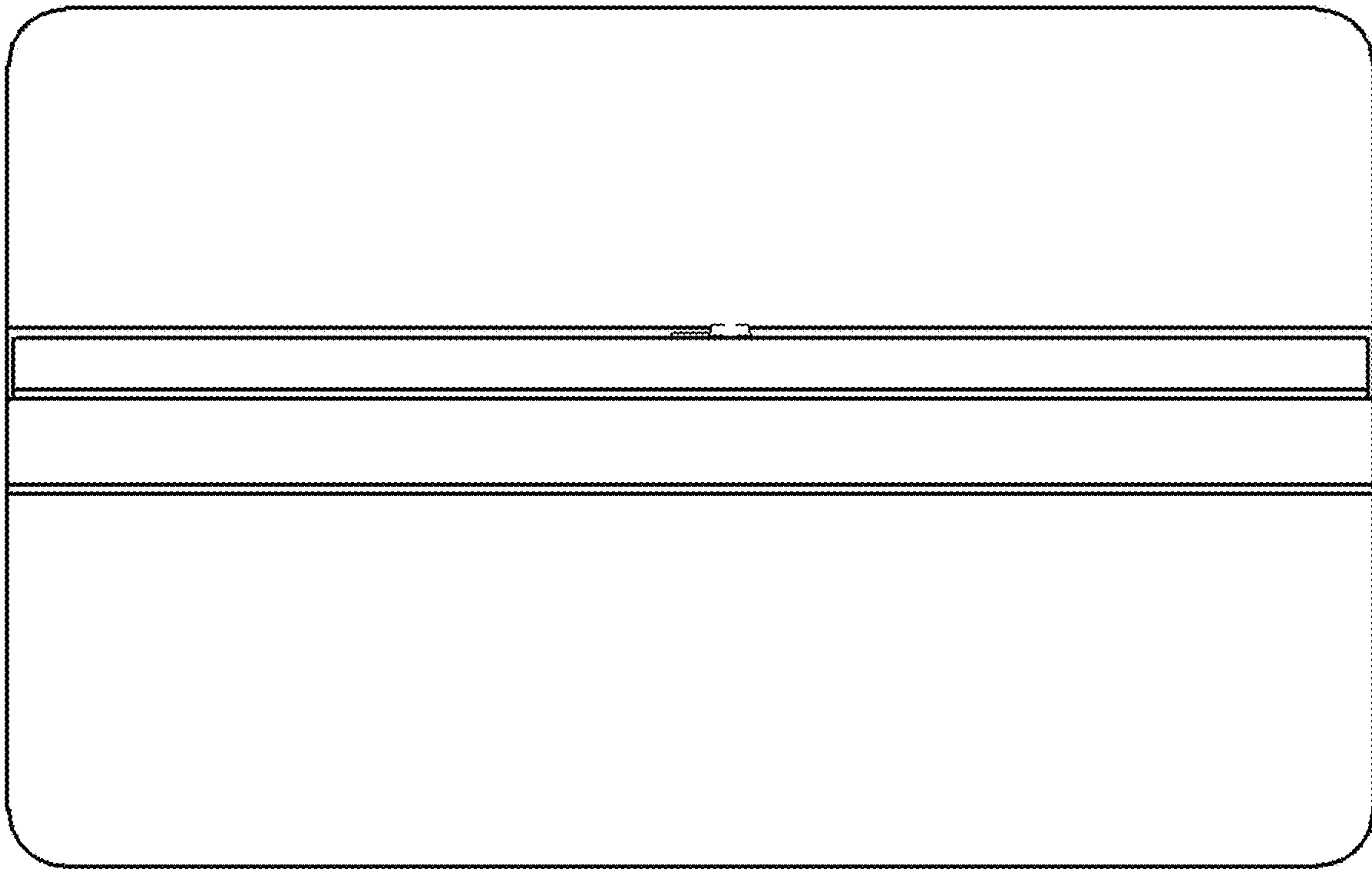
1.4



1.5



1.6



1.7

