



US00D920319S

(12) **United States Design Patent** (10) **Patent No.:** **US D920,319 S**
Haddock (45) **Date of Patent:** **** May 25, 2021**

(54) **SMART PHONE CASE**

(71) Applicant: **Dwight N. Haddock**, Crandall, TX (US)

(72) Inventor: **Dwight N. Haddock**, Crandall, TX (US)

(73) Assignee: **Dwight N. Haddock**, Crandall, TX (US)

(**) Term: **15 Years**

(21) Appl. No.: **29/703,271**

(22) Filed: **Aug. 26, 2019**

(51) **LOC (13) Cl.** **14-03**

(52) **U.S. Cl.**

USPC **D14/250**

(58) **Field of Classification Search**

USPC D14/217, 238.1, 240, 248, 250, 251–253, D14/439, 440, 447; D13/107–108, 103, D13/119; D3/201, 269, 273, 301, 218, D3/247, 303

CPC H04B 1/3888; H04M 1/0283; H04M 1/0202; A45C 1/06; A45C 11/00; A45C 13/02; A45C 2011/002; A45F 2005/026; A45F 2200/0525; A45F 2200/0516

See application file for complete search history.

(56) **References Cited**

U.S. PATENT DOCUMENTS

D624,064 S 9/2010 Esposito
D631,246 S 1/2011 Boettner

(Continued)

OTHER PUBLICATIONS

“Eezl Phone Case Stand, Grip & more! Easy Grip, Vertical & Horizontal stand case iphone 11” [online], C2Wireless. [Published

on Sep. 18, 2019], Retrieved from the Internet: <<https://www.youtube.com/watch?v=CzC-n-Ykh4g>>.*

(Continued)

Primary Examiner — Khawaja Anwar

Assistant Examiner — Mojtaba Tehrani

(74) *Attorney, Agent, or Firm* — Scott T. Griggs; Griggs Bergen LLP

(57) **CLAIM**

The ornamental design for a smart phone case, as shown and described.

DESCRIPTION

FIG. 1 is a front elevation view of a smart phone case in a closed configuration;

FIG. 2 is a rear elevation view of the smart phone case shown in FIG. 1 in the closed configuration;

FIG. 3 is a left-side elevation view of the smart phone case shown in FIG. 1 in the closed configuration, which includes left-right symmetry;

FIG. 4 is a rear-left perspective view of the smart phone case shown in FIG. 1 in the closed configuration;

FIG. 5 is a rear-left perspective view of the smart phone case shown in FIG. 1 in an open configuration;

FIG. 6 is a top plan view of the smart phone case shown in FIG. 1 in the open configuration;

FIG. 7 is a bottom plan view of the smart phone case shown in FIG. 1 in the open configuration;

FIG. 8 is a left-side elevation view of the smart phone case shown in FIG. 1 in the open configuration, which includes left-right symmetry;

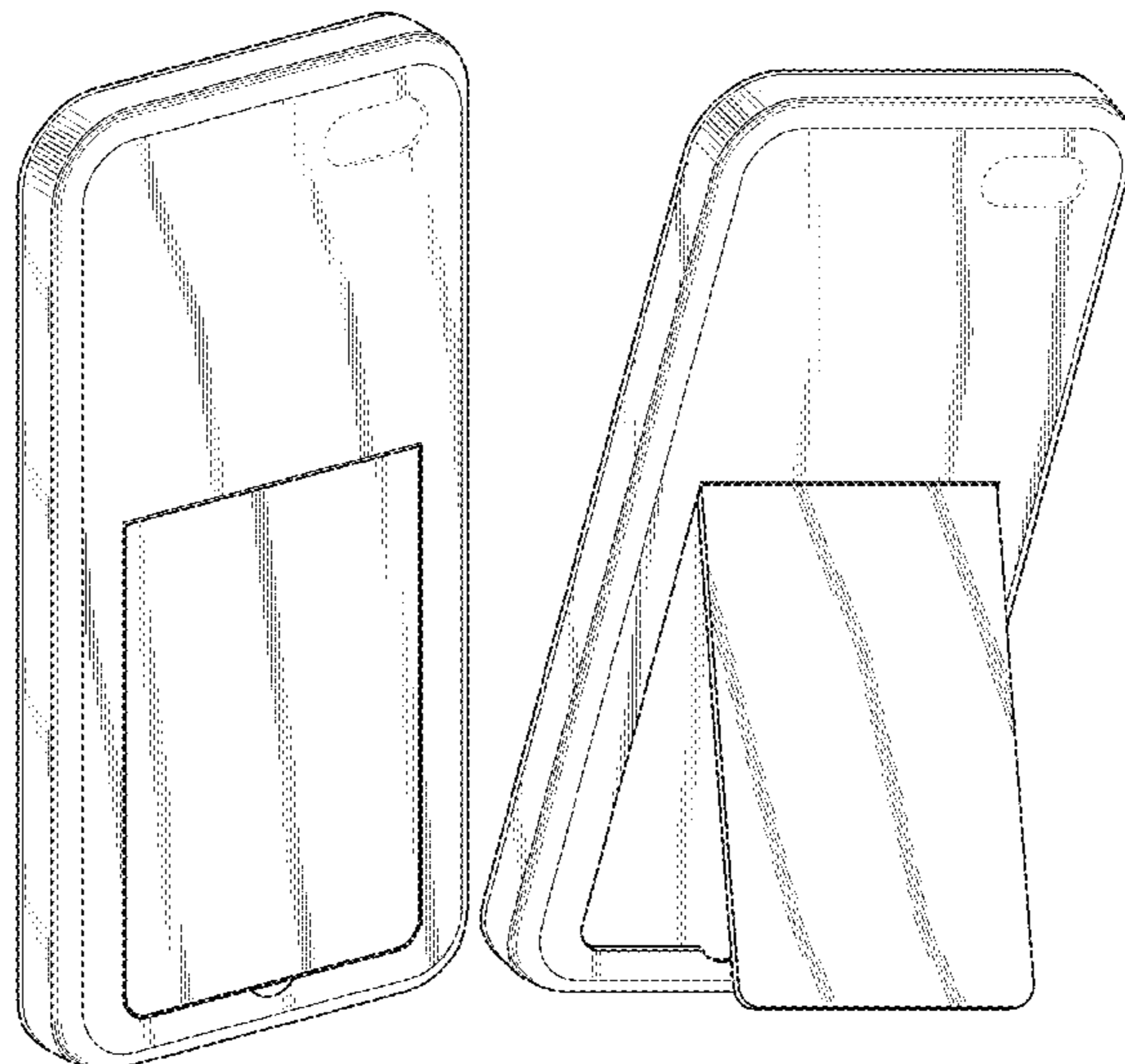
FIG. 9 is another left-side elevation view of the smart phone case shown in FIG. 1 in the open configuration, which includes left-right symmetry;

FIG. 10 is another rear-left perspective view of the smart phone case shown in FIG. 1 in the open configuration; and,

FIG. 11 is another bottom plan view of the smart phone case shown in FIG. 1 in the open configuration.

The dashed lines shown are provided for environmental purposes only and form no part of the claimed design.

1 Claim, 3 Drawing Sheets



(56)

References Cited

U.S. PATENT DOCUMENTS

D663,294 S * 7/2012 Buxton D14/250
 D674,800 S 1/2013 Kim
 D678,871 S * 3/2013 Mishan D14/250
 8,428,664 B1 4/2013 Wyers
 D681,620 S * 5/2013 Huskinson D14/250
 D687,026 S 7/2013 Ruvolo
 8,504,126 B1 * 8/2013 Maravilla H04B 1/3888
 455/575.1
 D690,928 S 10/2013 Zhang
 D703,651 S * 4/2014 Ehrlich D14/250
 8,700,107 B1 * 4/2014 Oh H04M 1/035
 455/575.1
 D705,764 S * 5/2014 Thoni D14/250
 D709,690 S 7/2014 Zhang
 D717,777 S * 11/2014 Hemesath D14/250
 D721,359 S * 1/2015 Kim D14/250
 D723,532 S * 3/2015 Stevinson D14/250
 D733,152 S 6/2015 Sirichai
 D749,557 S * 2/2016 Feng D14/250
 D754,115 S 4/2016 Lin
 D755,764 S 5/2016 Dong
 D756,980 S 5/2016 Beeman
 D765,069 S * 8/2016 Jeffrey D14/250
 D776,646 S 1/2017 Deng
 D778,899 S 2/2017 Khalili
 D780,163 S * 2/2017 Fathollahi D14/250
 D795,238 S 8/2017 Kim
 D819,009 S * 5/2018 Koo D14/250
 D823,291 S * 7/2018 Akana D14/250
 D830,352 S * 10/2018 Chung D14/250
 D836,620 S * 12/2018 Ehrlich D14/250
 D837,774 S * 1/2019 Koo D14/250

D837,776 S * 1/2019 Chung D14/250
 D842,289 S 3/2019 Feng
 D842,291 S 3/2019 Feng
 D848,409 S 5/2019 Feng
 D849,735 S 5/2019 Fang
 D850,434 S * 6/2019 Yun D14/250
 D850,435 S * 6/2019 Yun D14/250
 D855,045 S * 7/2019 Igarashi D14/250
 D868,051 S * 11/2019 Kim D14/250
 D873,214 S * 1/2020 Wu D13/108
 D873,215 S * 1/2020 Wu D13/108
 D879,757 S * 3/2020 Altschul D14/250
 D892,783 S * 8/2020 Kim D14/250
 2014/0051488 A1 * 2/2014 Chung H04M 1/0279
 455/575.8
 2014/0262855 A1 * 9/2014 Gandhi A45C 11/00
 206/45.24
 2015/0141082 A1 * 5/2015 Ehrlich H04B 1/3888
 455/575.1
 2016/0113368 A1 * 4/2016 Tu A45C 11/00
 206/45.23
 2016/0173160 A1 * 6/2016 Gronewoller H04B 1/3883
 455/575.8
 2016/0206065 A1 * 7/2016 Ehrlich H04B 1/3888

OTHER PUBLICATIONS

“iPhone 6S Case, iPhone 6 Case, ZVE deng Vertical and Horizontal Stand Hand Strap [. . .]” [online], ZVE deng. [Date First Available May 5, 2016], Retrieved from the Internet: <<https://www.amazon.com/ZVE deng-Horizontal-Reinforced-Kickstand-Shockproof/dp/B01F72G23E/>>.*

* cited by examiner

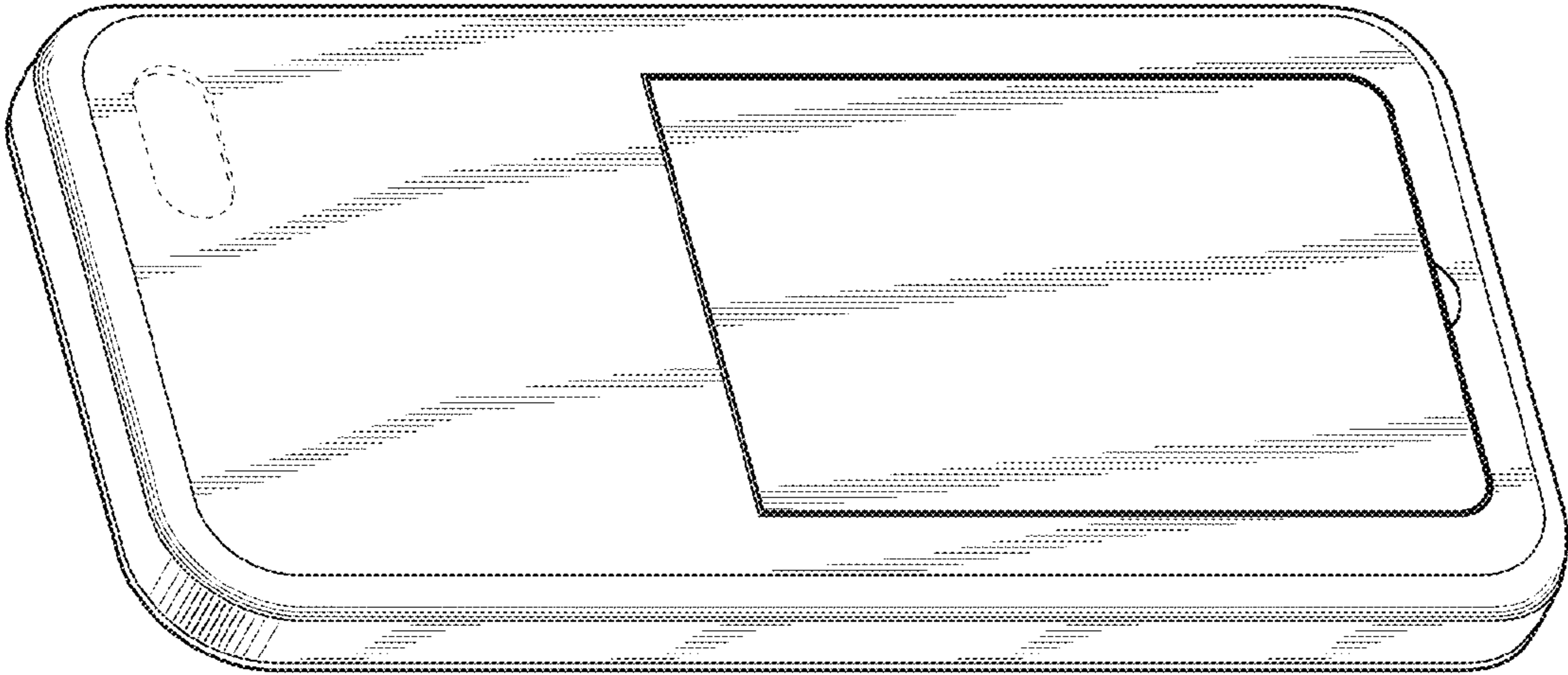


Fig.4

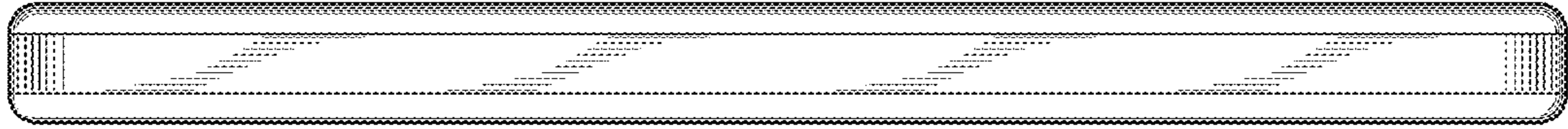


Fig.3

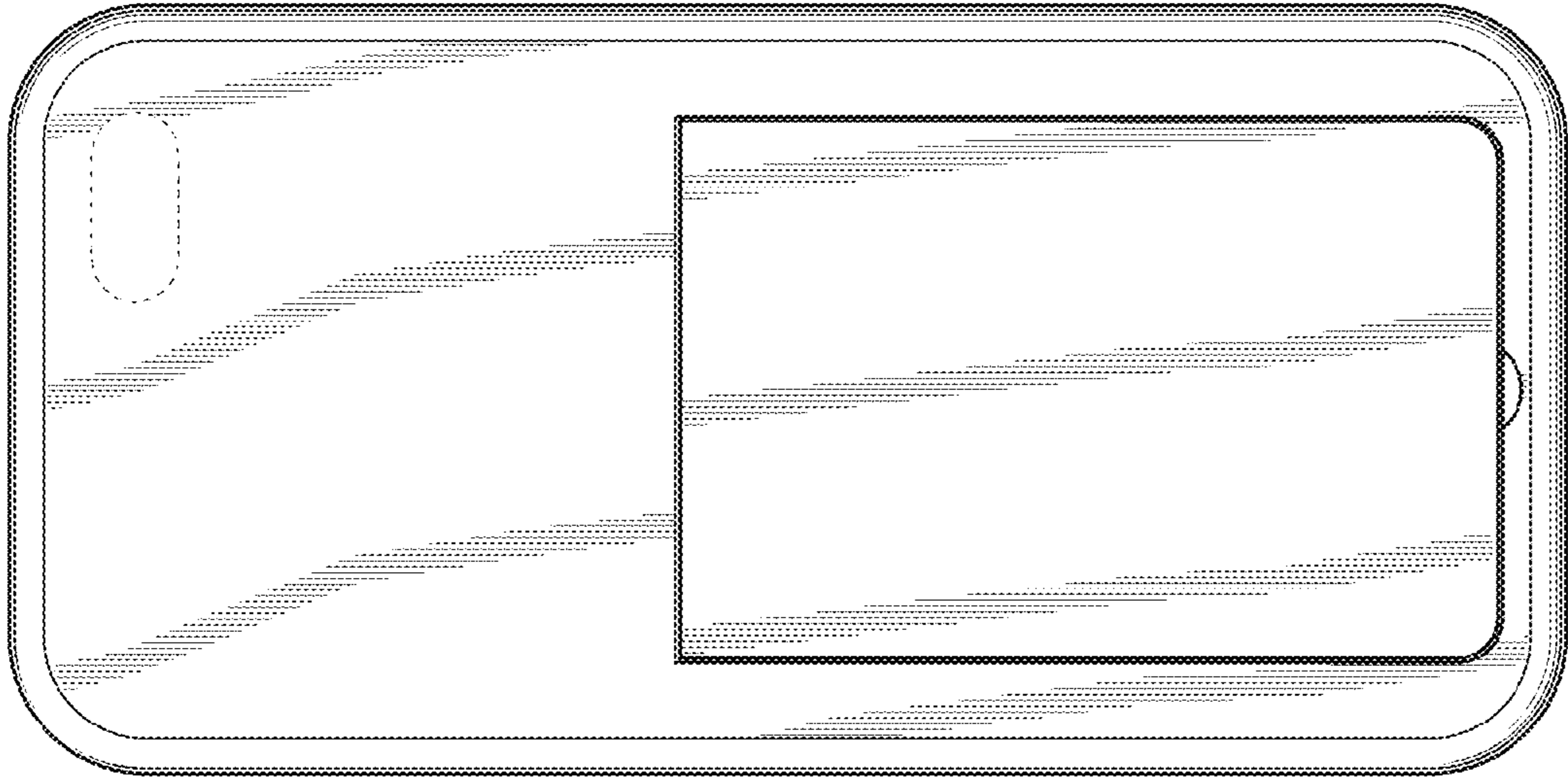


Fig.2

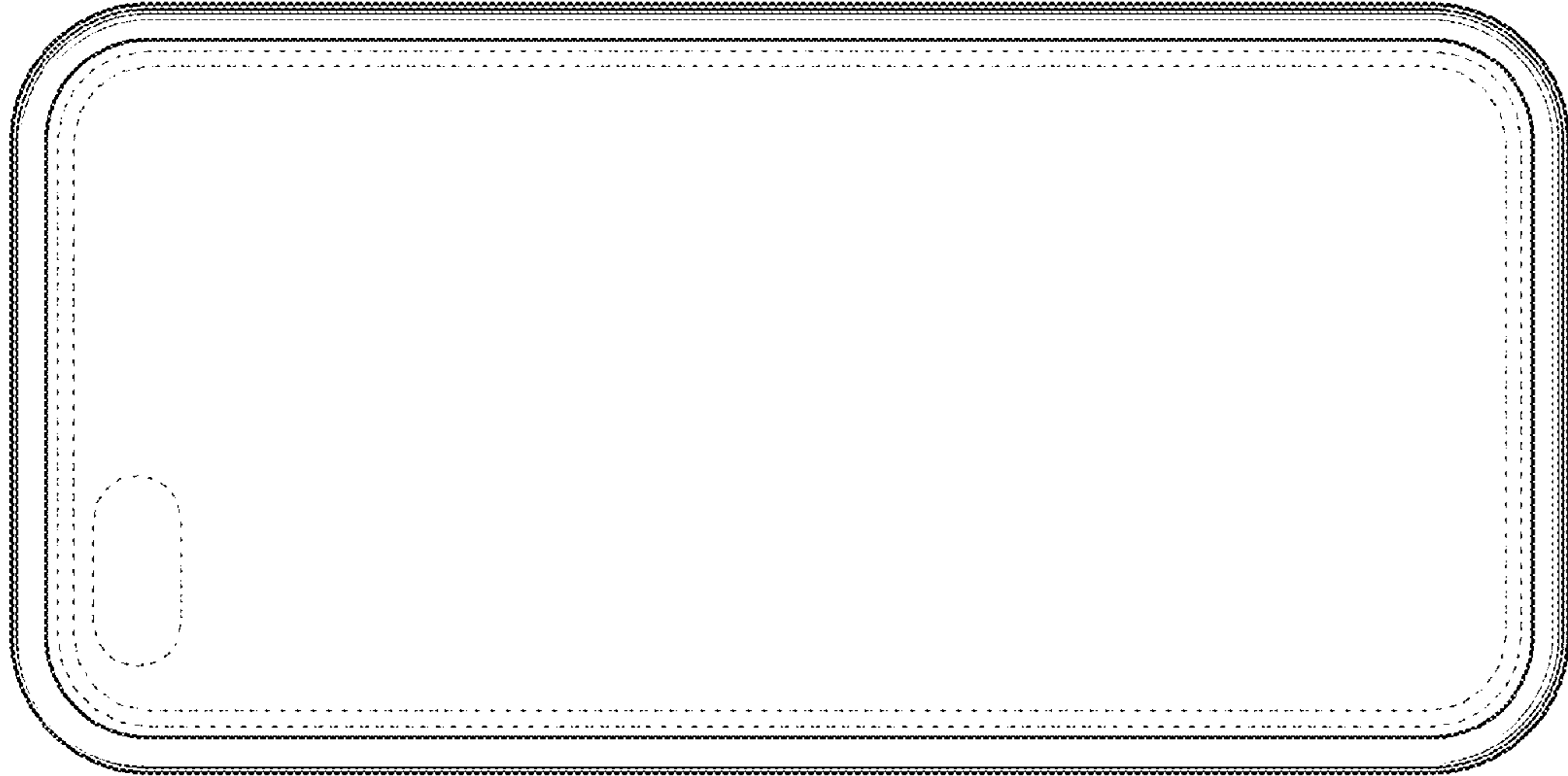


Fig.1

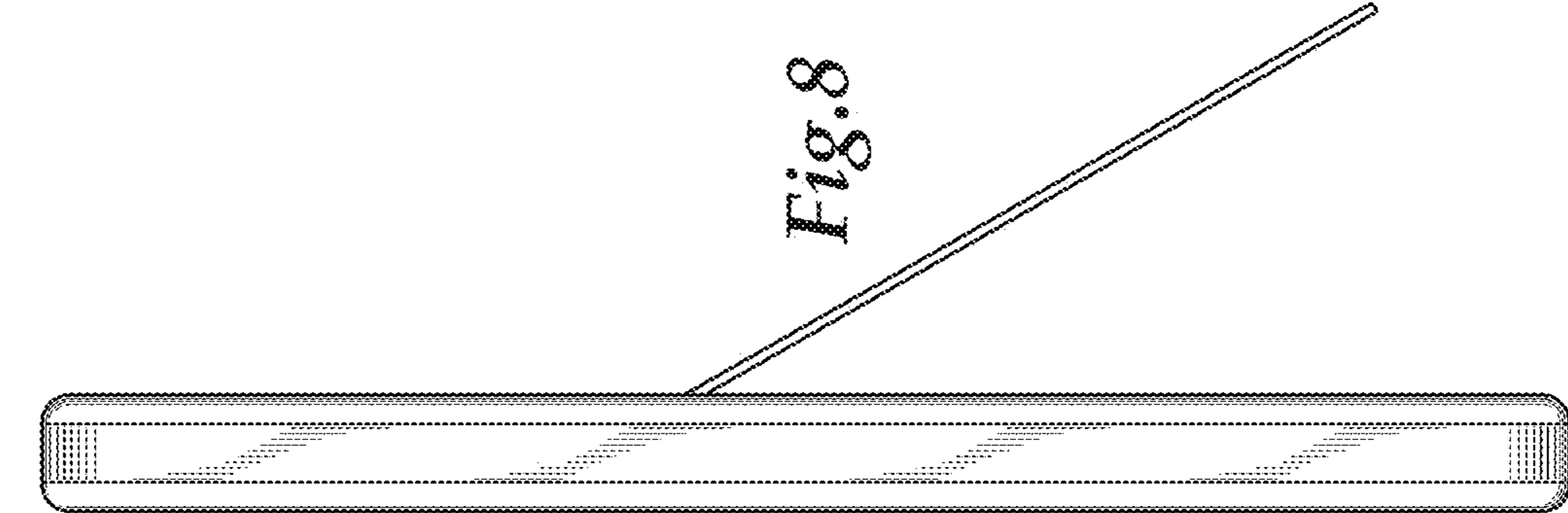


Fig. 8

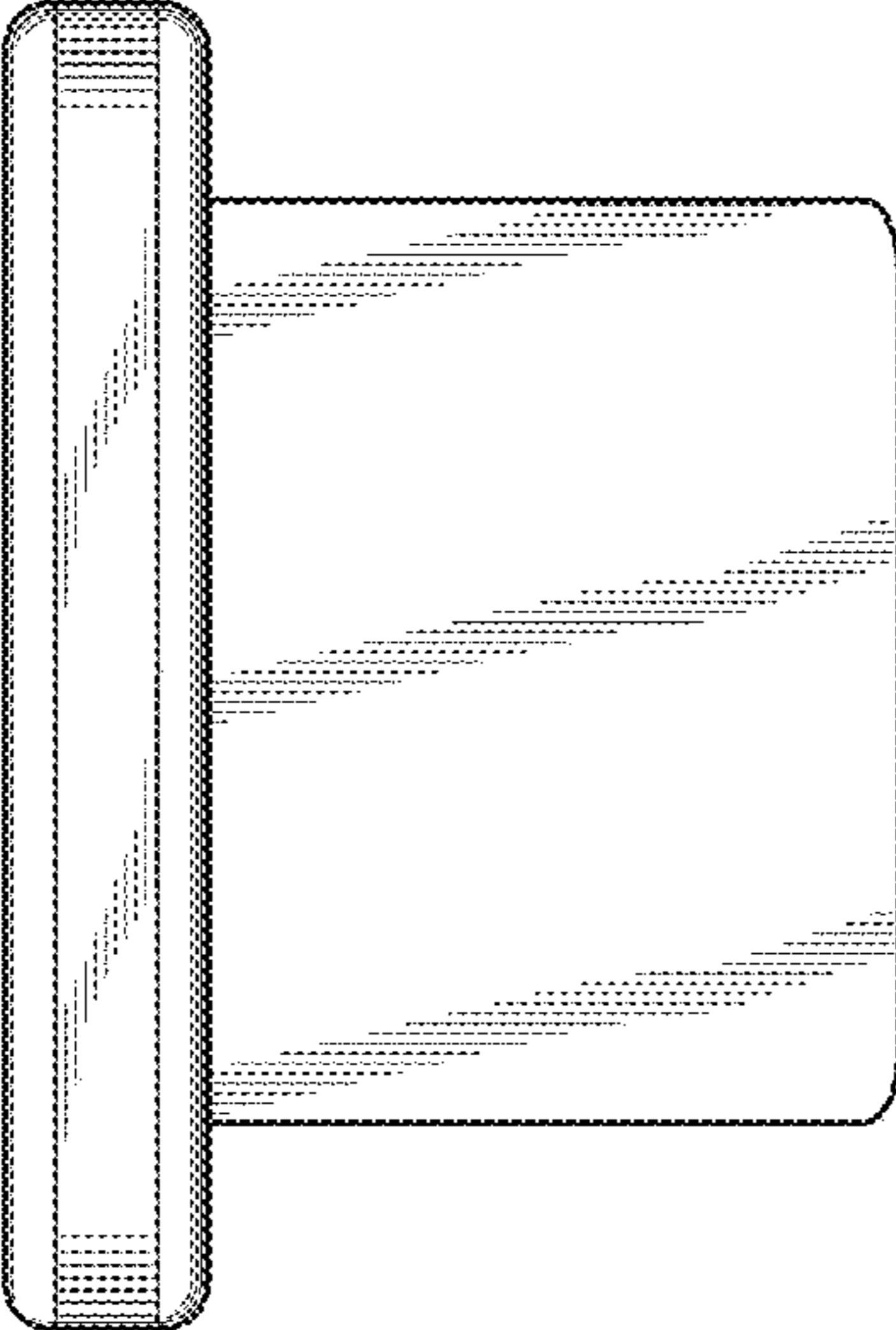


Fig. 6

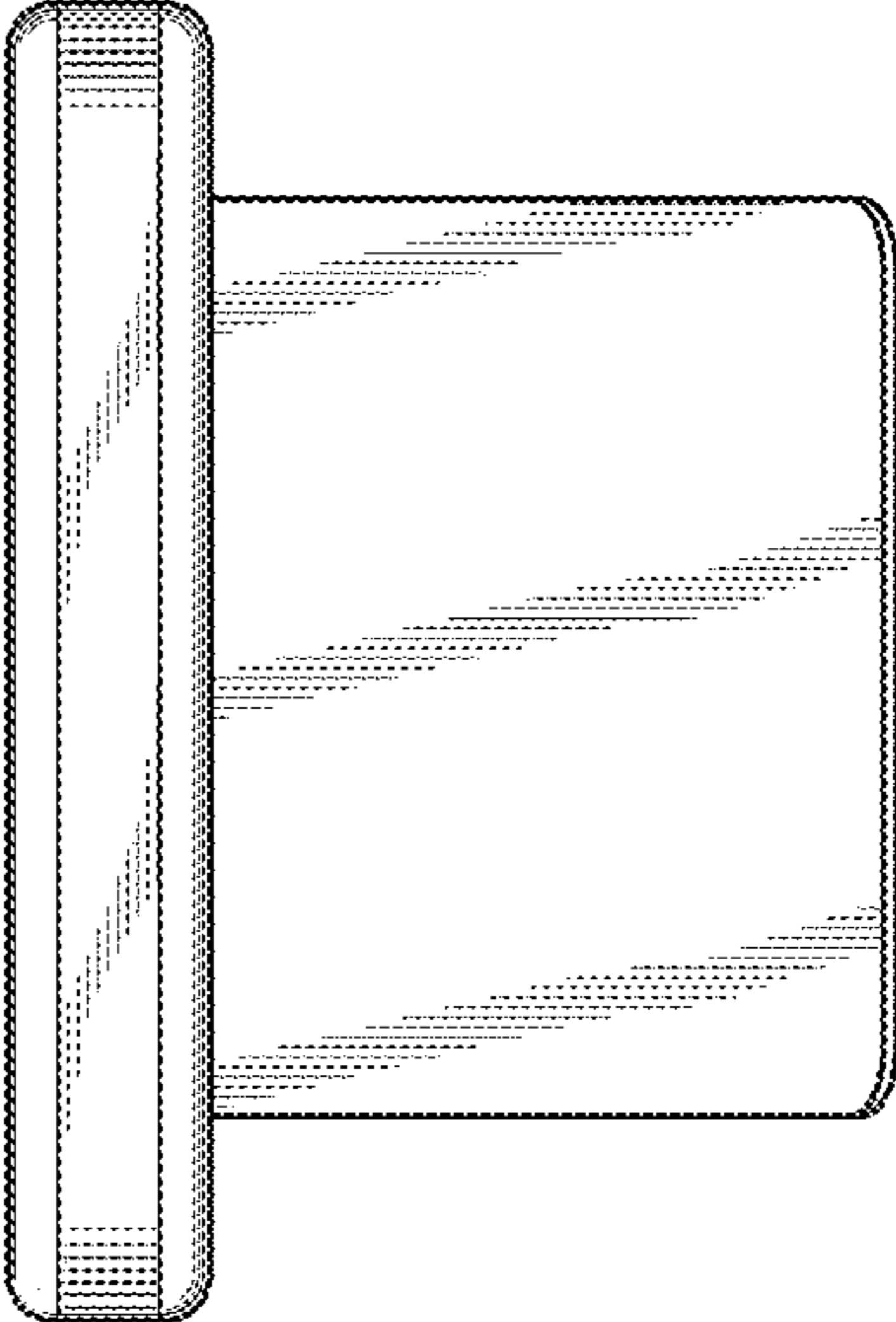


Fig. 7

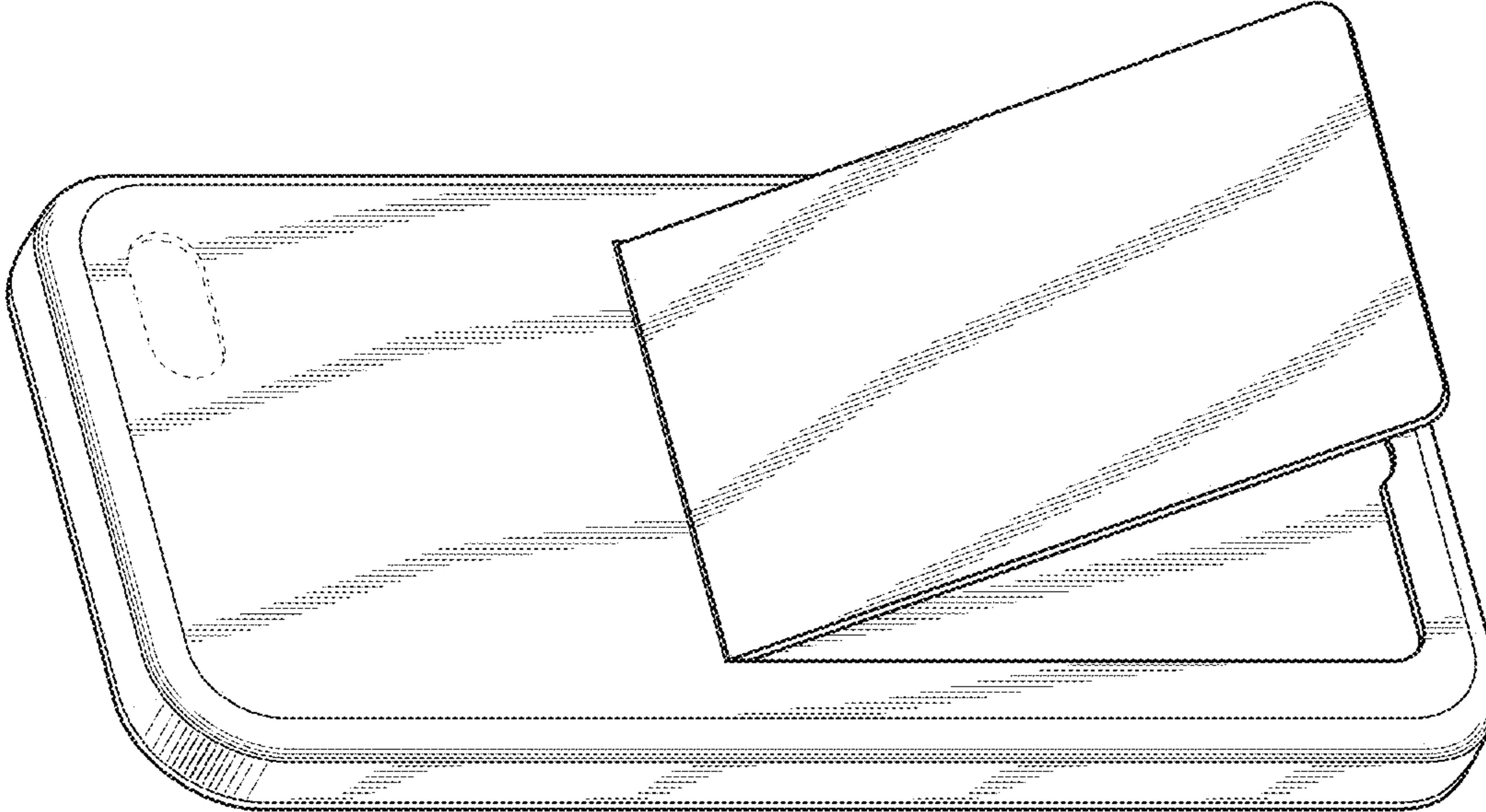


Fig. 5

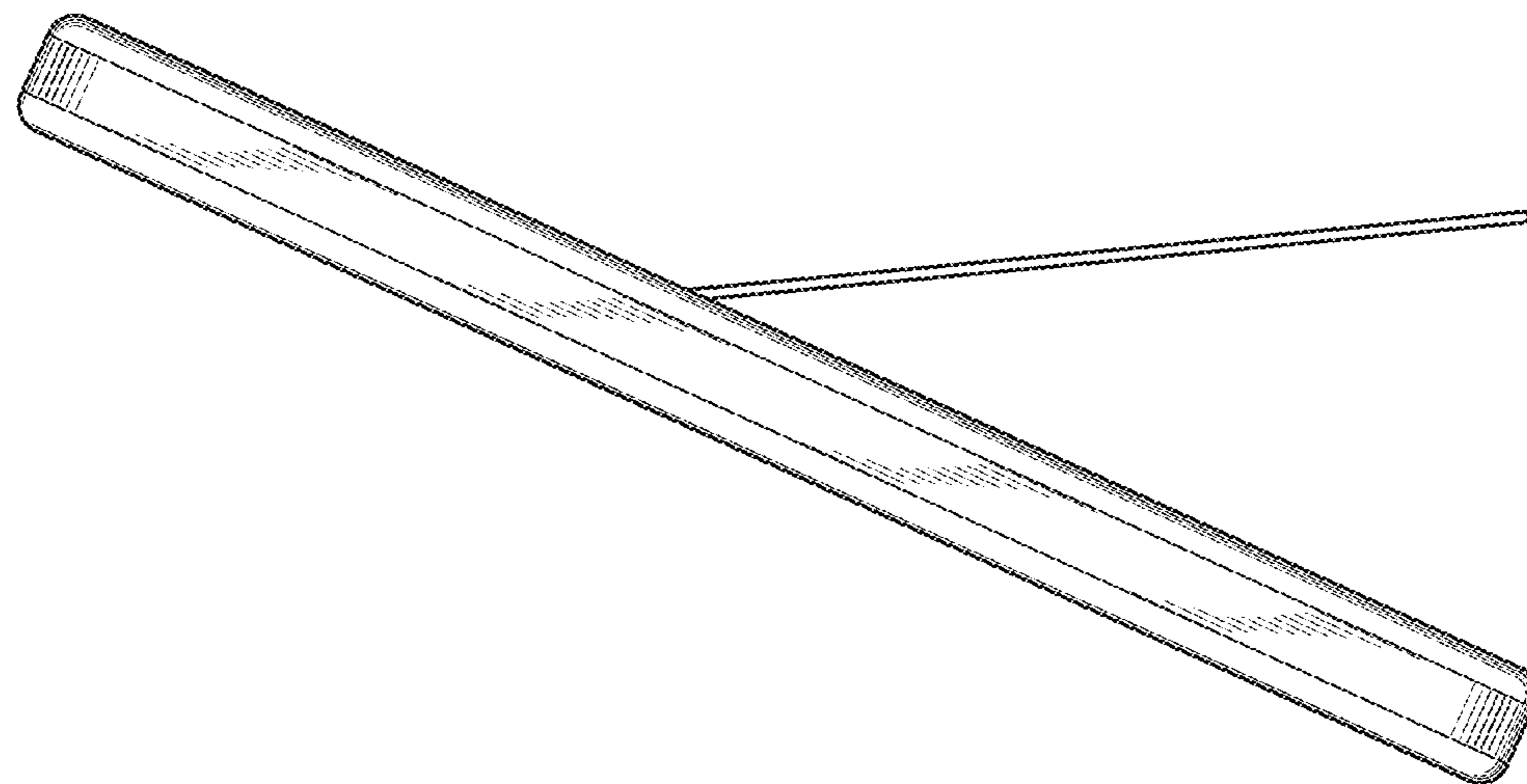


Fig. 9

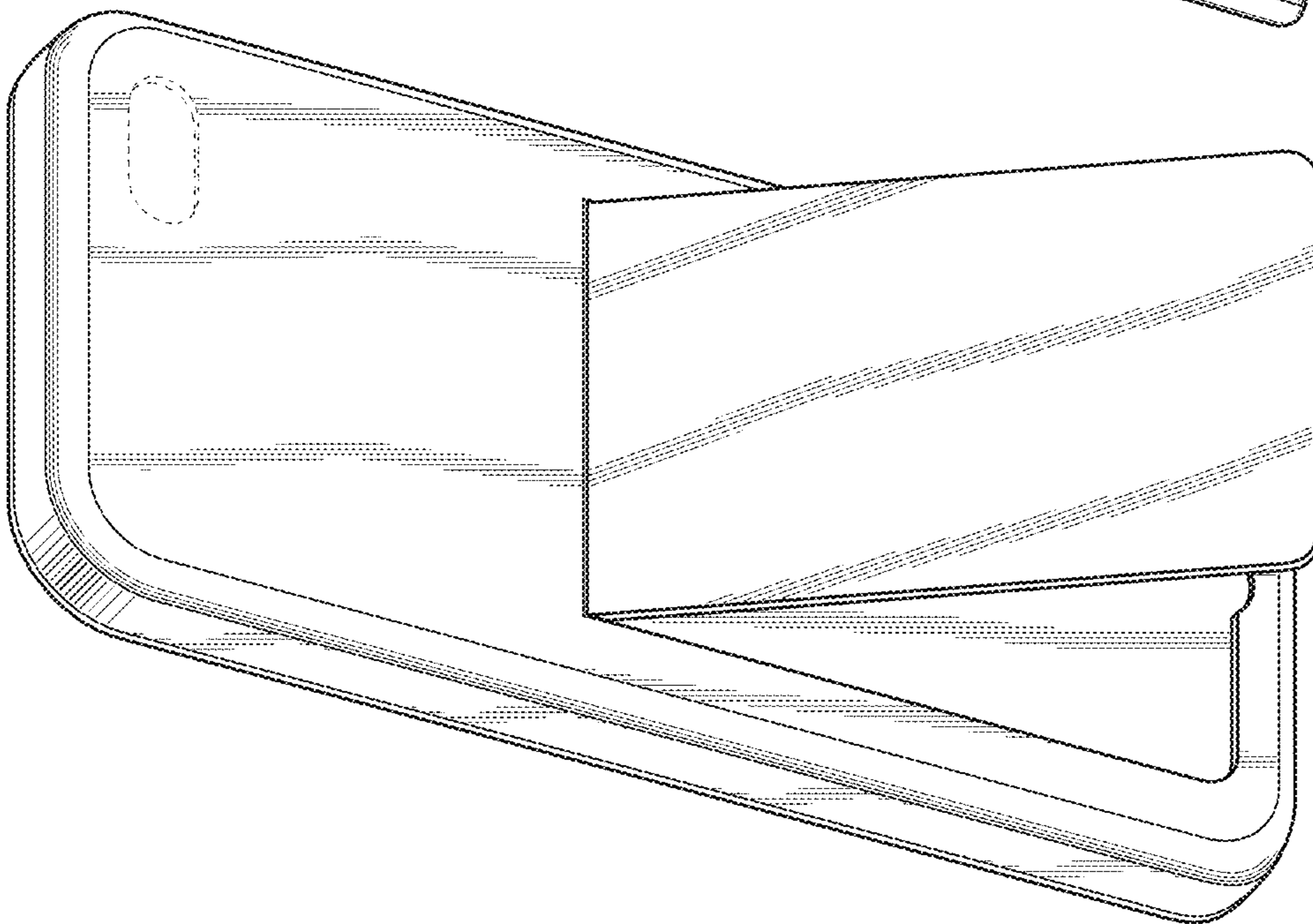


Fig. 10

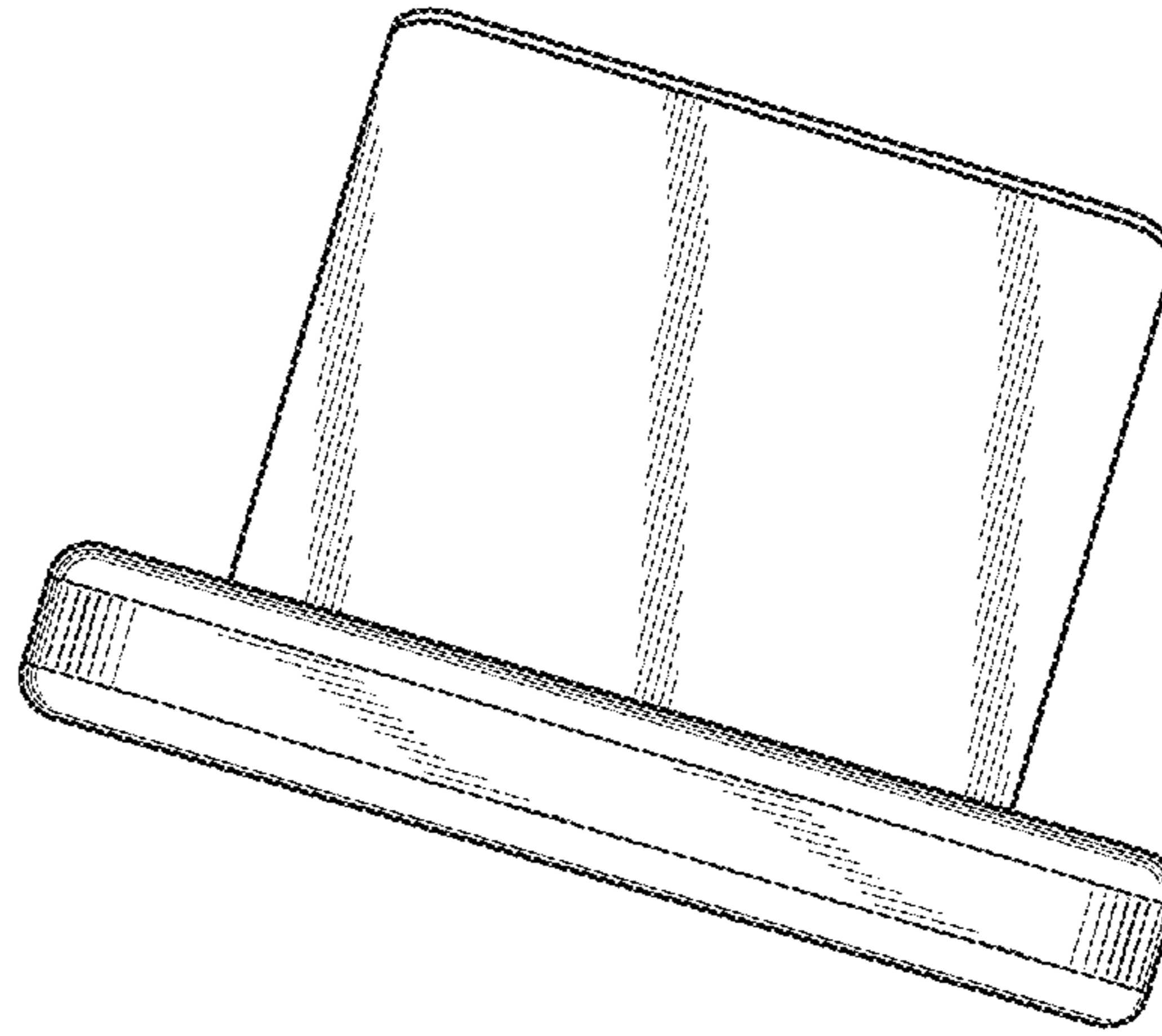


Fig. 11