



US00D920310S

(12) **United States Design Patent** (10) **Patent No.:** **US D920,310 S**  
**Seo et al.** (45) **Date of Patent:** **\*\* \*May 25, 2021**

(54) **MOBILE PHONE**  
(71) Applicant: **Samsung Electronics Co., Ltd.**,  
Suwon-si (KR)  
(72) Inventors: **Jae-Hun Seo**, Suwon-si (KR);  
**Won-Kyu Sung**, Seongnam-si (KR)  
(73) Assignee: **SAMSUNG ELECTRONICS CO.,**  
**LTD.**, Suwon-si (KR)  
(\* ) Notice: This patent is subject to a terminal dis-  
claimer.  
(\*\*) Term: **15 Years**  
(21) Appl. No.: **29/678,903**  
(22) Filed: **Jan. 31, 2019**  
(30) **Foreign Application Priority Data**  
Aug. 1, 2018 (KR) ..... 30-2018-0035762  
(51) **LOC (13) Cl.** ..... **14-03**  
(52) **U.S. Cl.**  
USPC ..... **D14/248**  
(58) **Field of Classification Search**  
USPC ..... D14/138 G, 248, 341, 371, 374, 138 R,  
D14/138 AA, 138 AB, 138 AC, 138 AD,  
D14/138 C, 247  
CPC .... H04M 1/02; H04M 1/0279; H04M 1/0202;  
H04M 1/0283; H04M 1/0268  
See application file for complete search history.

(56) **References Cited**  
U.S. PATENT DOCUMENTS  
D577,704 S \* 9/2008 Park ..... D14/138 AD  
D596,605 S \* 7/2009 Son ..... D14/138 AC  
D607,865 S \* 1/2010 Lee ..... D14/138 AD  
D613,722 S \* 4/2010 Kaneta ..... D14/138 G  
D627,343 S \* 11/2010 Andre ..... D14/203.7

D639,805 S \* 6/2011 Song ..... D14/138 G  
D645,015 S \* 9/2011 Lee ..... D14/138 G  
D645,833 S \* 9/2011 Seflic ..... D14/138 G  
D654,464 S \* 2/2012 Han ..... D14/138 G  
D660,274 S \* 5/2012 Lee ..... D14/138 G  
D668,238 S \* 10/2012 Kim ..... D14/138 G  
D680,524 S \* 4/2013 Feng ..... D14/341  
D692,845 S \* 11/2013 Cho ..... D14/138 G  
D695,255 S \* 12/2013 Kim ..... D14/138 G  
D698,785 S \* 2/2014 Canizares ..... D14/341  
D700,164 S \* 2/2014 Park ..... D14/138 G  
D707,214 S \* 6/2014 Reivo ..... D14/248  
D715,794 S \* 10/2014 Zhou ..... D14/341  
D721,667 S \* 1/2015 Chuang ..... D14/138 G  
D722,038 S \* 2/2015 Cheng ..... D14/138 G  
D753,640 S \* 4/2016 Cha ..... D14/248  
D783,565 S \* 4/2017 Kim ..... D14/138 G  
D786,816 S \* 5/2017 Choo ..... D14/138 AA  
D787,505 S \* 5/2017 Kim ..... D14/341  
D788,102 S \* 5/2017 Kim ..... D14/341

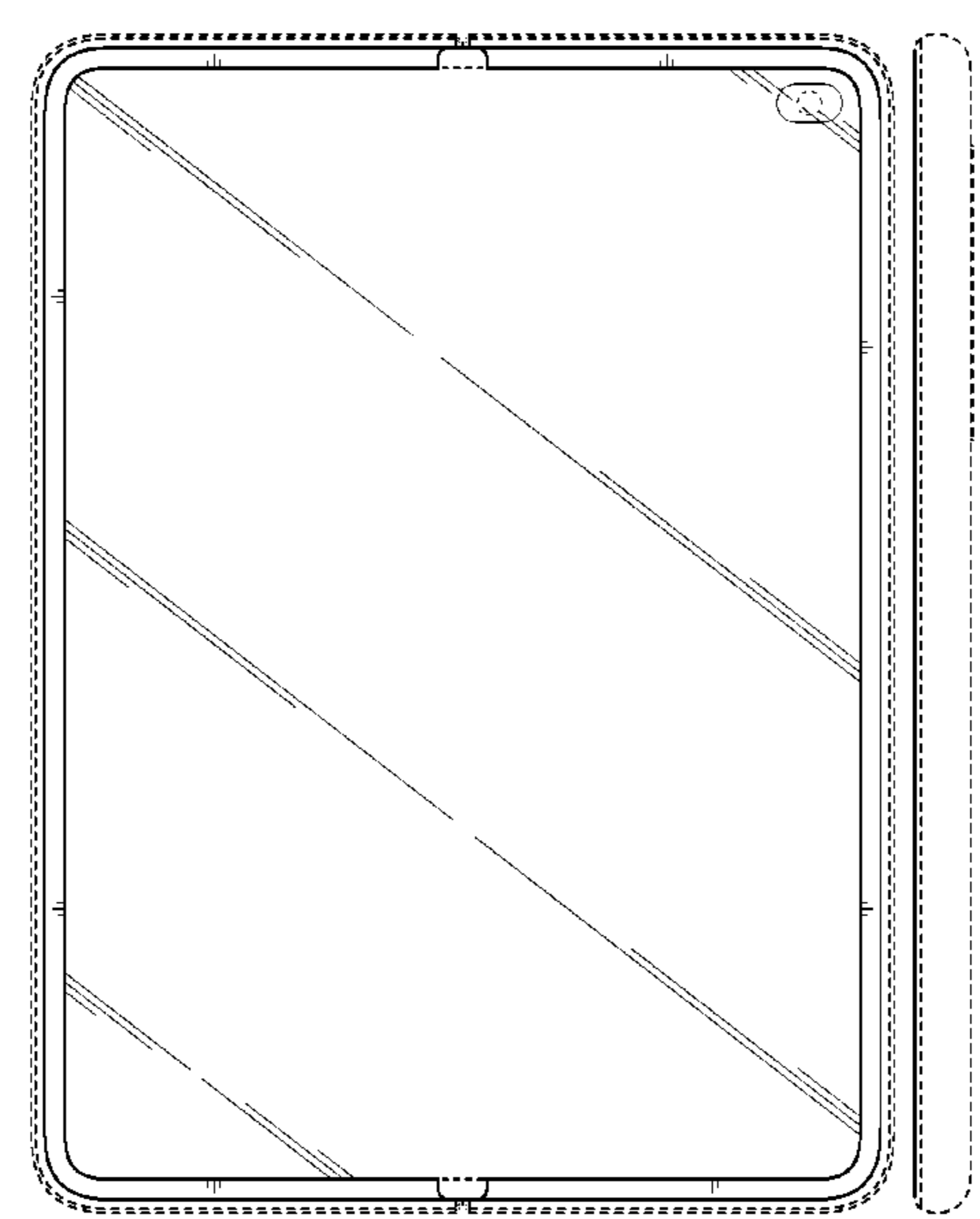
(Continued)

*Primary Examiner* — Bridget L Eland  
(74) *Attorney, Agent, or Firm* — McAndrews Held &  
Malloy, Ltd.

(57) **CLAIM**  
The ornamental design for a mobile phone, as shown and  
described.

**DESCRIPTION**  
FIG. 1 is a front perspective view of a mobile phone showing  
our new design;  
FIG. 2 is a front elevation view thereof;  
FIG. 3 is a rear elevation view thereof;  
FIG. 4 is a left side elevation view thereof;  
FIG. 5 is a right side elevation view thereof;  
FIG. 6 is a top plan view thereof; and,  
FIG. 7 is a bottom plan view thereof.  
The evenly-spaced dashed broken lines in the figures depict  
portions of the mobile phone that form no part of the claimed  
design.

**1 Claim, 7 Drawing Sheets**



(56)

References Cited

U.S. PATENT DOCUMENTS

D788,773 S *	6/2017	Seo	D14/345	D883,945 S *	5/2020	Park	D14/138 G
D791,096 S *	7/2017	Hu	D14/138 G	D884,688 S *	5/2020	Cha	D14/248
D795,861 S *	8/2017	Seo	D14/341	D886,090 S *	6/2020	Cha	D14/248
D800,710 S *	10/2017	Ryu	D14/248	D886,091 S *	6/2020	Cha	D14/248
D804,443 S *	12/2017	Kang	D14/138 AB	D886,757 S *	6/2020	Cho	D14/138 G
D808,957 S *	1/2018	Tian	D14/341	D886,813 S *	6/2020	Cha	D14/248
D810,041 S *	2/2018	Lee	D14/138 AB	D887,381 S *	6/2020	Lin	D14/138 G
D822,017 S *	7/2018	Noh	D14/341	D888,682 S *	6/2020	Lin	D14/138 G
D825,513 S *	8/2018	Seo	D14/138 AB	D894,857 S *	9/2020	Cha	D14/138 G
D825,518 S *	8/2018	Kikuchi	D14/138 AB	D898,691 S *	10/2020	Ji	D14/138 G
D826,203 S *	8/2018	Seo	D14/138 AB	D899,408 S *	10/2020	Seo	D14/248
D826,889 S *	8/2018	Seo	D14/138 AB	D899,409 S *	10/2020	Seo	D14/248
D827,604 S *	9/2018	Seo	D14/138 AB	D900,777 S *	11/2020	Kim	D14/138 G
D828,318 S *	9/2018	Seo	D14/138 AB	D900,778 S *	11/2020	Cheng	D14/138 G
D828,319 S *	9/2018	Seo	D14/138 AB	D900,799 S *	11/2020	Cho	D14/248
D837,176 S *	1/2019	Choi	D14/138 G	D901,424 S *	11/2020	Zhu	D14/138 G
D842,833 S *	3/2019	Seo	D14/138 AB	D902,878 S *	11/2020	Kim	D14/138 AB
D842,834 S *	3/2019	Seo	D14/138 AB	D902,898 S *	11/2020	Seo	D14/248
D856,293 S *	8/2019	Seo	D14/138 G	D902,899 S *	11/2020	Seo	D14/248
D856,955 S *	8/2019	Seo	D14/138 G	D902,900 S *	11/2020	Seo	D14/248
D859,341 S *	9/2019	Kang	D14/138 AB	D902,904 S *	11/2020	Kim	D14/248
D859,383 S *	9/2019	Yi	D14/248	D903,621 S *	12/2020	Kim	D14/138 AB
D865,732 S *	11/2019	Park	D14/248	D904,367 S *	12/2020	Seo	D14/248
D865,733 S *	11/2019	Park	D14/248	D904,368 S *	12/2020	Seo	D14/248
D865,734 S *	11/2019	Park	D14/248	D904,369 S *	12/2020	Seo	D14/248
D865,735 S *	11/2019	Park	D14/248	D904,370 S *	12/2020	Seo	D14/248
D865,737 S *	11/2019	Park	D14/248	D904,371 S *	12/2020	Seo	D14/248
D865,738 S *	11/2019	Park	D14/248	D904,372 S *	12/2020	Seo	D14/248
D866,496 S *	11/2019	Kim	D14/138 G	D904,373 S *	12/2020	Seo	D14/248
D866,540 S *	11/2019	Park	D14/248	D904,374 S *	12/2020	Seo	D14/248
D866,541 S *	11/2019	Park	D14/248	D904,379 S *	12/2020	Seo	D14/248
D866,542 S *	11/2019	Park	D14/248	D904,380 S *	12/2020	Seo	D14/248
D867,351 S *	11/2019	Park	D14/248	D905,029 S *	12/2020	Seo	D14/248
D868,763 S *	12/2019	Kim	D14/248	D905,030 S *	12/2020	Seo	D14/248
D869,423 S *	12/2019	Cho	D14/138 G	D905,653 S *	12/2020	Park	D14/138 G
D870,088 S *	12/2019	Kim	D14/248	D905,670 S *	12/2020	Seo	D14/248
D879,064 S *	3/2020	Park	D14/138 G	2013/0307816 A1 *	11/2013	Lee	G06F 1/1652 345/174
D879,736 S *	3/2020	Park	D14/138 G	2019/0166703 A1 *	5/2019	Kim	H05K 5/0017
D883,942 S *	5/2020	Cha	D14/138 G	2019/0245955 A1 *	8/2019	Lee	G06F 1/1616
				2019/0339739 A1 *	11/2019	Park	G06F 1/1681

\* cited by examiner

FIG. 1

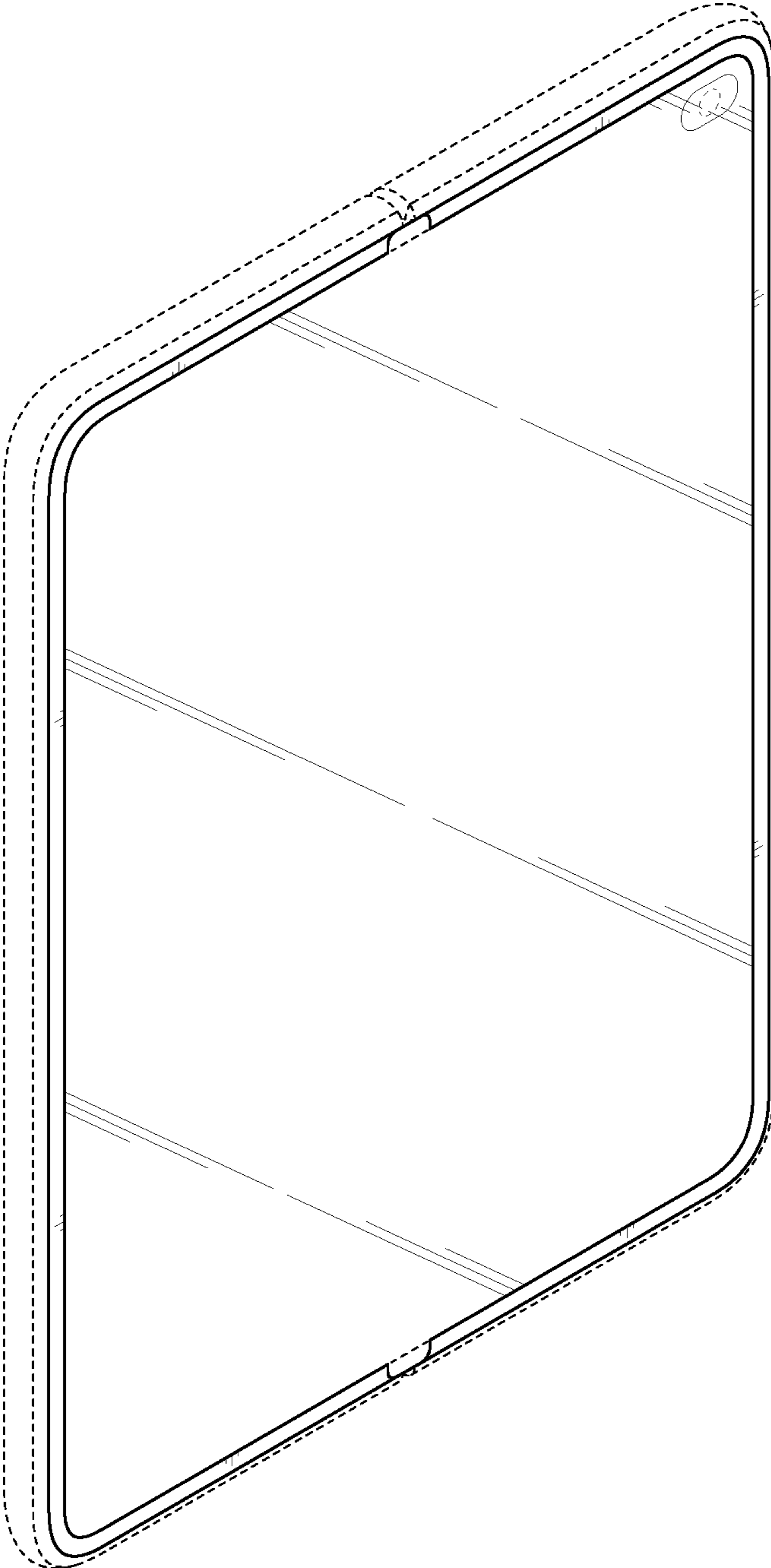


FIG. 2

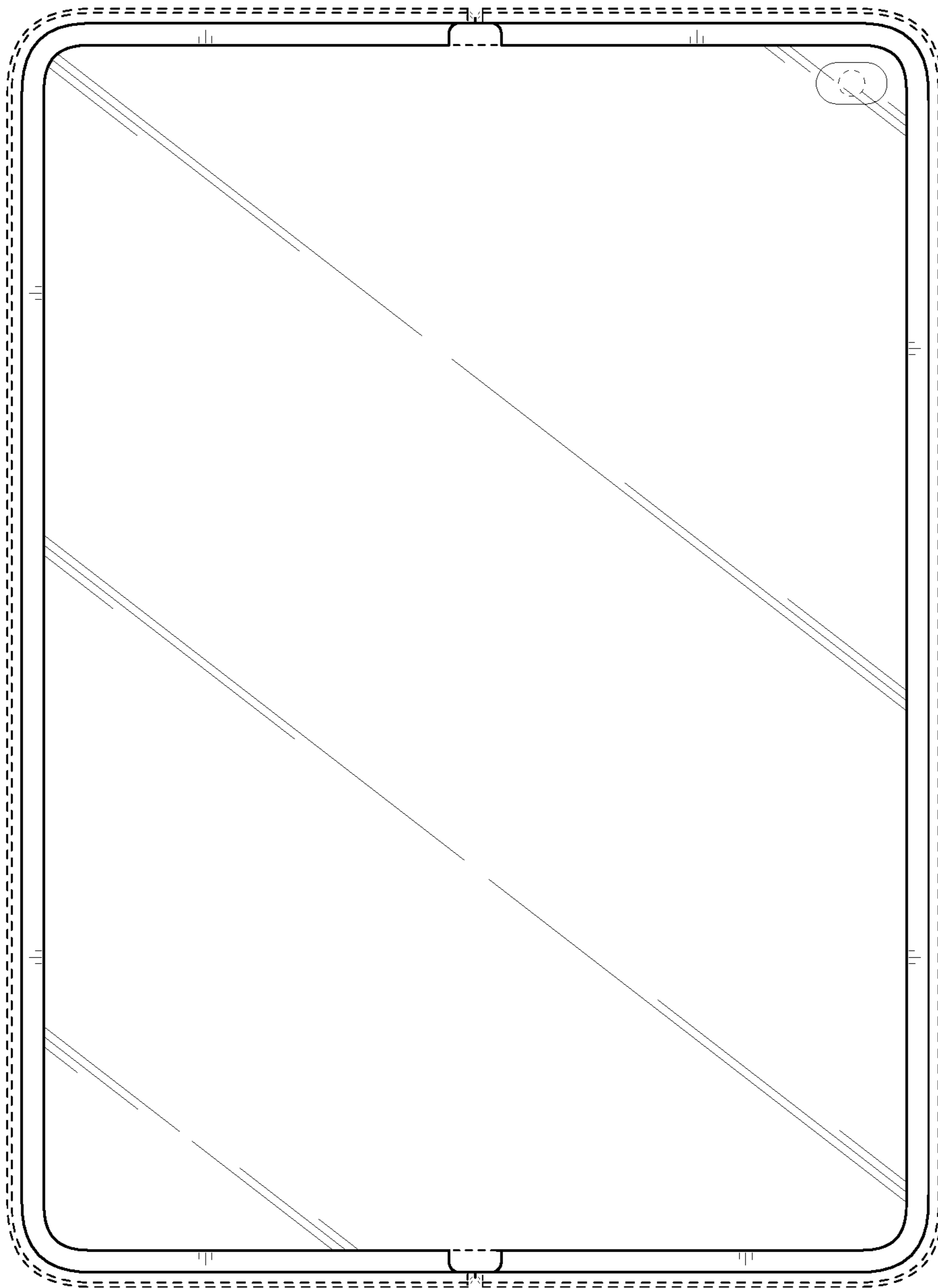




FIG. 3

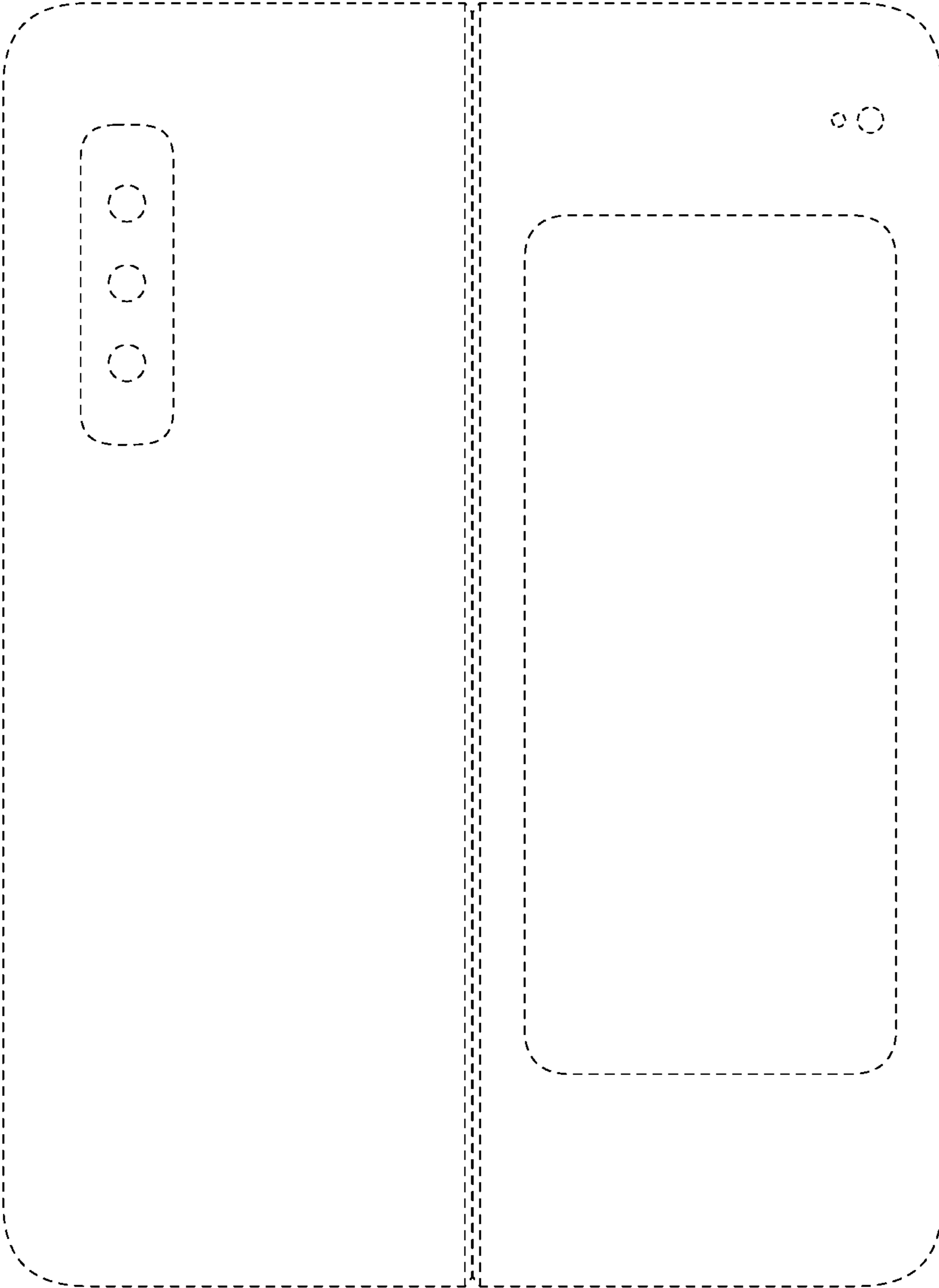


FIG. 4

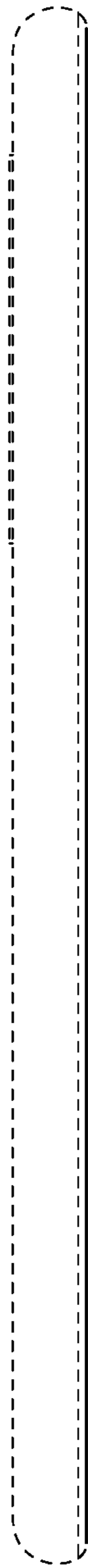


FIG. 5

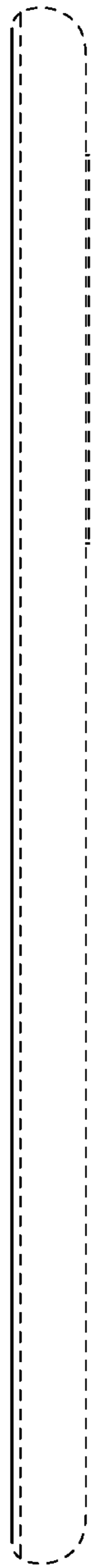


FIG. 6

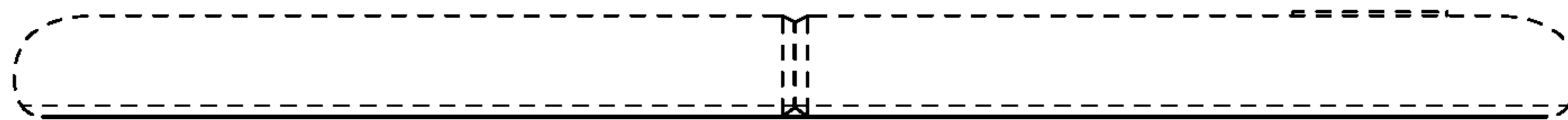




FIG. 7

