



US00D920309S

(12) **United States Design Patent** (10) **Patent No.:** **US D920,309 S**
Seo et al. (45) **Date of Patent:** **** *May 25, 2021**

(54) **MOBILE PHONE**
(71) Applicant: **Samsung Electronics Co., Ltd.**,
Suwon-si (KR)
(72) Inventors: **Jae-Hun Seo**, Suwon-si (KR);
Won-Kyu Sung, Seongnam-si (KR)
(73) Assignee: **SAMSUNG ELECTRONICS CO.,**
LTD., Suwon-si (KR)
(*) Notice: This patent is subject to a terminal dis-
claimer.
(**) Term: **15 Years**
(21) Appl. No.: **29/678,900**
(22) Filed: **Jan. 31, 2019**
(30) **Foreign Application Priority Data**
Aug. 1, 2018 (KR) 30-2018-0035763
(51) **LOC (13) Cl.** **14-03**
(52) **U.S. Cl.**
USPC **D14/248**
(58) **Field of Classification Search**
USPC D14/138 G, 248, 341, 371, 374, 138 R,
D14/138 AA, 138 AB, 138 AC, 138 AD,
D14/138 C, 247
CPC H04M 1/02; H04M 1/0279; H04M 1/0202;
H04M 1/0283; H04M 1/0268
See application file for complete search history.

(56) **References Cited**
U.S. PATENT DOCUMENTS
D577,704 S * 9/2008 Park D14/138 AD
D596,605 S * 7/2009 Son D14/138 AC
D607,865 S * 1/2010 Lee D14/138 AD
D613,722 S * 4/2010 Kaneta D14/138 G
D627,343 S * 11/2010 Andre D14/203.7

D645,015 S * 9/2011 Lee D14/138 G
D645,833 S * 9/2011 Seflic D14/138 G
D654,464 S * 2/2012 Han D14/138 G
D660,274 S * 5/2012 Lee D14/138 G
D668,238 S * 10/2012 Kim D14/138 G
D680,524 S * 4/2013 Feng D14/341
D692,845 S * 11/2013 Cho D14/138 G
D695,255 S * 12/2013 Kim D14/138 G
D698,785 S * 2/2014 Canizares D14/341
D700,164 S * 2/2014 Park D14/138 G
D707,214 S * 6/2014 Reivo D14/248
D715,794 S * 10/2014 Zhou D14/341
D721,667 S * 1/2015 Chuang D14/138 G
D722,038 S * 2/2015 Cheng D14/138 G
D753,640 S * 4/2016 Cha D14/248
D783,565 S * 4/2017 Kim D14/138 G
D786,816 S * 5/2017 Choo D14/138 AA
D787,505 S * 5/2017 Kim D14/341
D788,102 S * 5/2017 Kim D14/341
D788,773 S * 6/2017 Seo D14/345

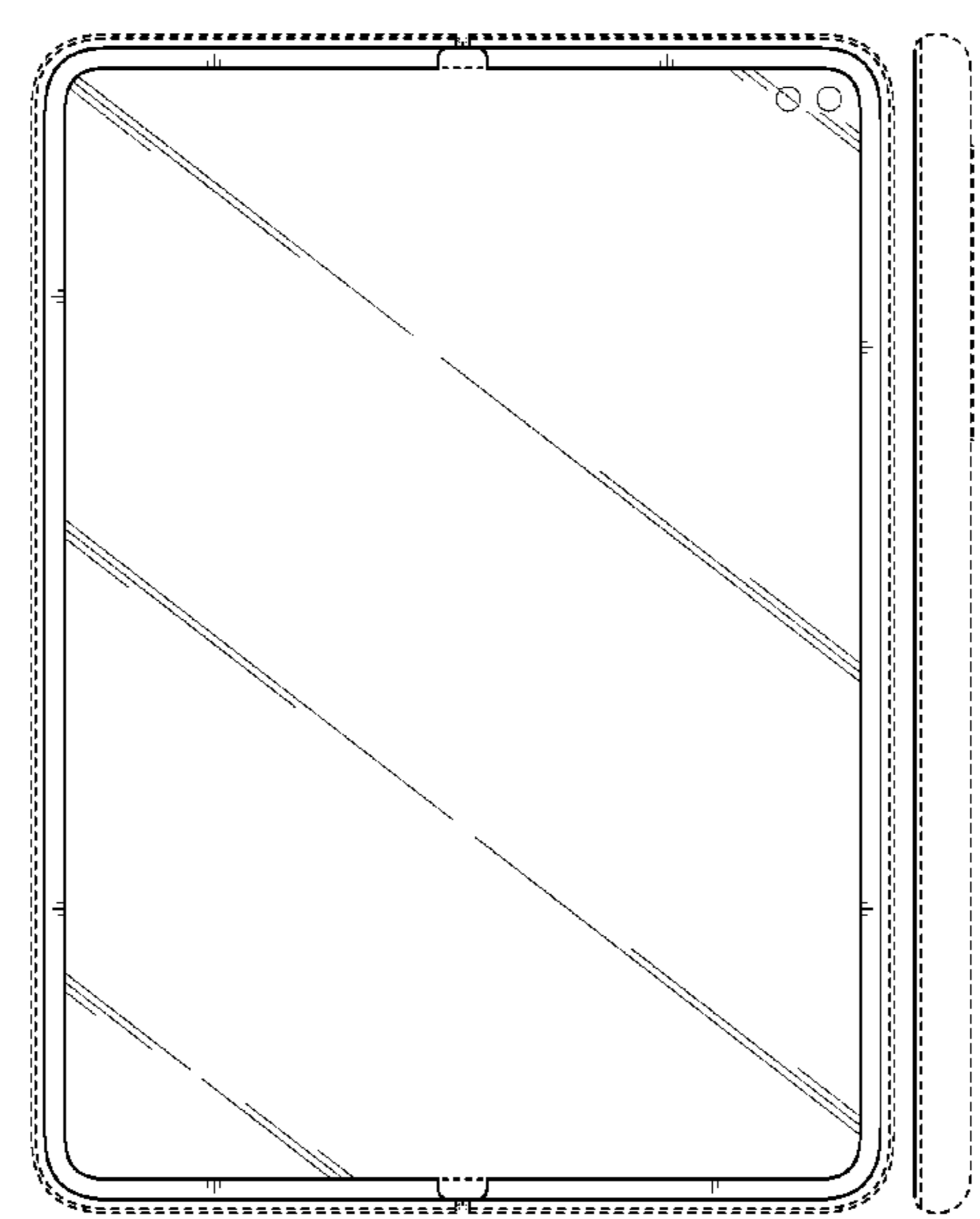
(Continued)

Primary Examiner — Bridget L Eland
(74) *Attorney, Agent, or Firm* — McAndrews Held &
Malloy, Ltd.

(57) **CLAIM**
The ornamental design for a mobile phone, as shown and
described.

DESCRIPTION
FIG. 1 is a front perspective view of a mobile phone showing
our new design;
FIG. 2 is a front elevation view thereof;
FIG. 3 is a rear elevation view thereof;
FIG. 4 is a left side elevation view thereof;
FIG. 5 is a right side elevation view thereof;
FIG. 6 is a top plan view thereof; and,
FIG. 7 is a bottom plan view thereof.
The evenly-spaced dashed broken lines in the figures depict
portions of the mobile phone that form no part of the claimed
design.

1 Claim, 7 Drawing Sheets



(56)

References Cited

U.S. PATENT DOCUMENTS

D791,096 S * 7/2017 Hu D14/138 G
 D795,861 S * 8/2017 Seo D14/341
 D800,710 S * 10/2017 Ryu D14/248
 D804,443 S * 12/2017 Kang D14/138 AB
 D808,957 S * 1/2018 Tian D14/341
 D810,041 S * 2/2018 Lee D14/138 AB
 D822,017 S * 7/2018 Noh D14/341
 D825,513 S * 8/2018 Seo D14/138 AB
 D825,518 S * 8/2018 Kikuchi D14/138 AB
 D826,203 S * 8/2018 Seo D14/138 AB
 D826,889 S * 8/2018 Seo D14/138 AB
 D827,604 S * 9/2018 Seo D14/138 AB
 D828,318 S * 9/2018 Seo D14/138 AB
 D828,319 S * 9/2018 Seo D14/138 AB
 D837,176 S * 1/2019 Choi D14/138 G
 D842,833 S * 3/2019 Seo D14/138 AB
 D842,834 S * 3/2019 Seo D14/138 AB
 D856,293 S * 8/2019 Seo D14/138 G
 D856,955 S * 8/2019 Seo D14/138 G
 D859,341 S * 9/2019 Kang D14/138 AB
 D859,383 S * 9/2019 Yi D14/248
 D865,732 S * 11/2019 Park D14/248
 D865,733 S * 11/2019 Park D14/248
 D865,734 S * 11/2019 Park D14/248
 D865,735 S * 11/2019 Park D14/248
 D865,737 S * 11/2019 Park D14/248
 D865,738 S * 11/2019 Park D14/248
 D866,496 S * 11/2019 Kim D14/138 G
 D866,540 S * 11/2019 Park D14/248
 D866,541 S * 11/2019 Park D14/248
 D866,542 S * 11/2019 Park D14/248
 D867,351 S * 11/2019 Park D14/248
 D868,763 S * 12/2019 Kim D14/248
 D869,423 S * 12/2019 Cho D14/138 G
 D870,088 S * 12/2019 Kim D14/248
 D880,463 S * 4/2020 Kim D14/248
 D890,111 S * 7/2020 Park D14/138 G
 D890,112 S * 7/2020 Park D14/138 G
 D892,780 S * 8/2020 Park D14/248

D892,781 S * 8/2020 Park D14/248
 D894,858 S * 9/2020 Park D14/138 G
 D894,859 S * 9/2020 Park D14/138 G
 D894,885 S * 9/2020 Park D14/248
 D896,198 S * 9/2020 Nalbandian D14/138 G
 D897,300 S * 9/2020 Nalbandian D14/138 G
 D897,980 S * 10/2020 Wu D14/138 G
 D897,981 S * 10/2020 Kim D14/138 G
 D899,408 S * 10/2020 Seo D14/248
 D899,409 S * 10/2020 Seo D14/248
 D900,779 S * 11/2020 Gu D14/138 G
 D901,421 S * 11/2020 Hu D14/138 G
 D901,423 S * 11/2020 Qin D14/138 G
 D902,166 S * 11/2020 Hung D14/138 G
 D902,167 S * 11/2020 Lee D14/138 AB
 D902,878 S * 11/2020 Kim D14/138 AB
 D902,898 S * 11/2020 Seo D14/248
 D902,899 S * 11/2020 Seo D14/248
 D902,900 S * 11/2020 Seo D14/248
 D902,904 S * 11/2020 Kim D14/248
 D903,621 S * 12/2020 Kim D14/138 AB
 D903,644 S * 12/2020 Kim D14/248
 D904,367 S * 12/2020 Seo D14/248
 D904,368 S * 12/2020 Seo D14/248
 D904,369 S * 12/2020 Seo D14/248
 D904,370 S * 12/2020 Seo D14/248
 D904,371 S * 12/2020 Seo D14/248
 D904,372 S * 12/2020 Seo D14/248
 D904,373 S * 12/2020 Seo D14/248
 D904,374 S * 12/2020 Seo D14/248
 D904,379 S * 12/2020 Seo D14/248
 D904,380 S * 12/2020 Seo D14/248
 D905,029 S * 12/2020 Seo D14/248
 D905,030 S * 12/2020 Seo D14/248
 D905,670 S * 12/2020 Seo D14/248
 2013/0307816 A1 * 11/2013 Lee G06F 1/1652
 345/174
 2019/0166703 A1 * 5/2019 Kim H05K 5/0017
 2019/0245955 A1 * 8/2019 Lee G06F 1/1616
 2019/0339739 A1 * 11/2019 Park G06F 1/1681

* cited by examiner

FIG. 1

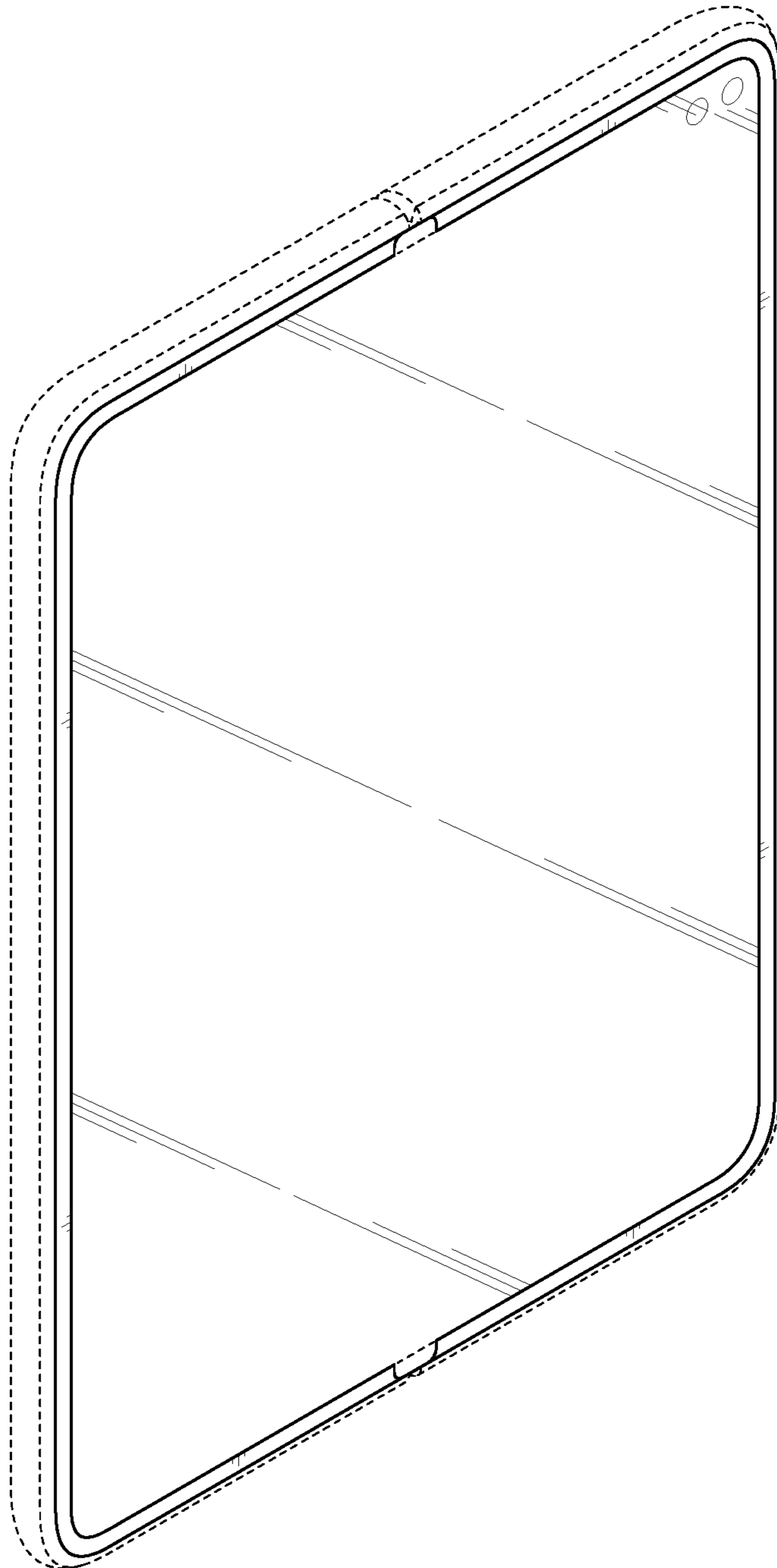


FIG. 2

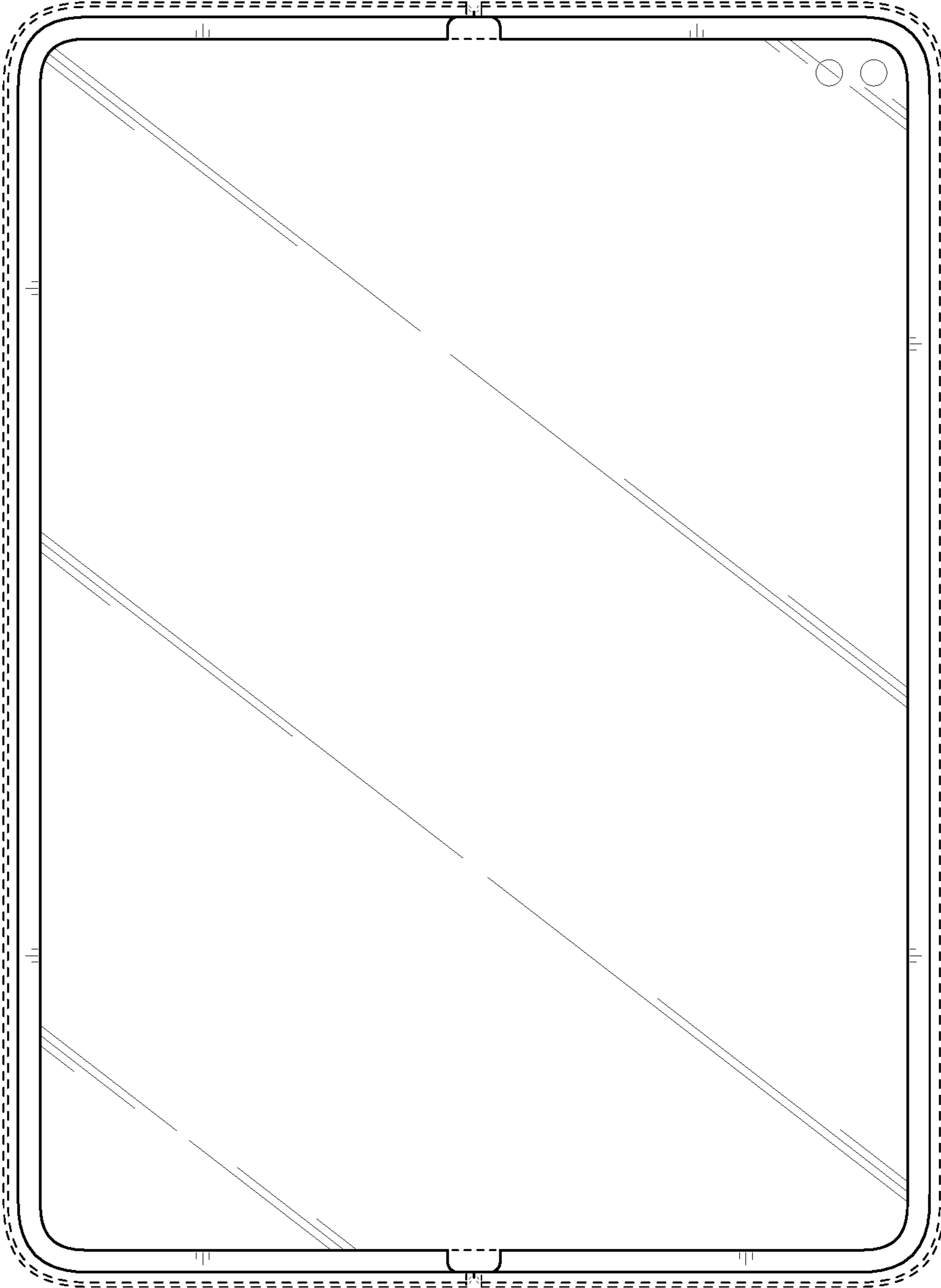


FIG. 3

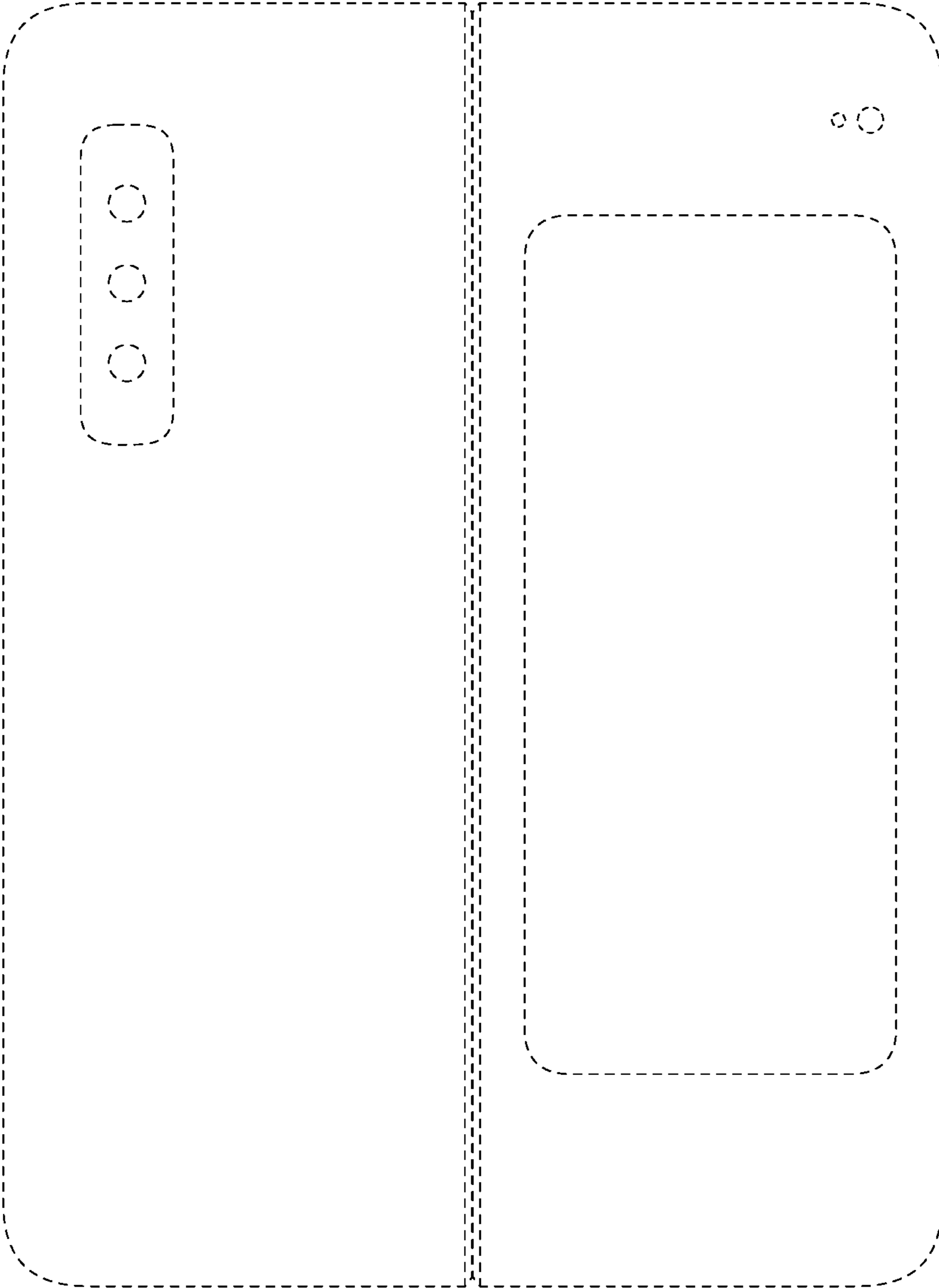


FIG. 4

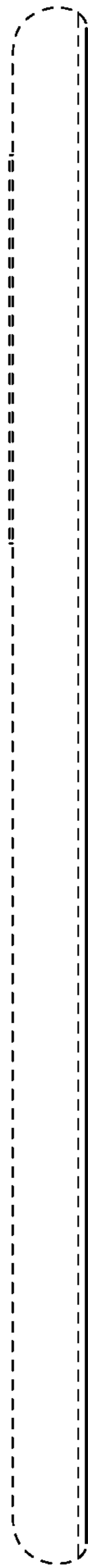


FIG. 5

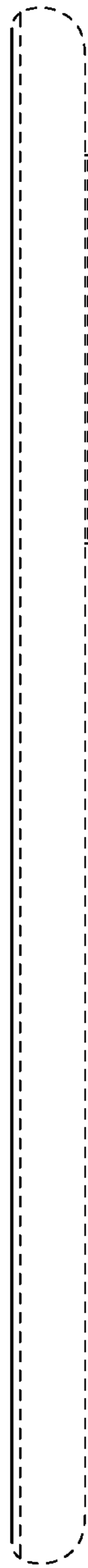


FIG. 6

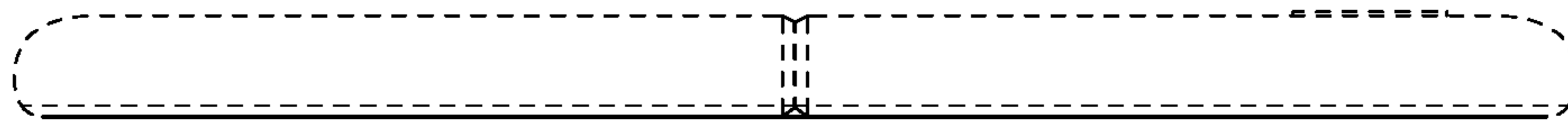


FIG. 7

