



US00D920306S

(12) **United States Design Patent** (10) **Patent No.:** **US D920,306 S**  
**Seo et al.** (45) **Date of Patent:** **\*\* \*May 25, 2021**

(54) **MOBILE PHONE**  
(71) Applicant: **Samsung Electronics Co., Ltd.,**  
Suwon-si (KR)  
(72) Inventors: **Jae-Hun Seo,** Suwon-si (KR);  
**Won-Kyu Sung,** Seongnam-si (KR)  
(73) Assignee: **SAMSUNG ELECTRONICS CO.,**  
**LTD.,** Suwon-si (KR)  
(\* ) Notice: This patent is subject to a terminal dis-  
claimer.  
(\*\*) Term: **15 Years**  
(21) Appl. No.: **29/678,895**  
(22) Filed: **Jan. 31, 2019**  
(30) **Foreign Application Priority Data**

Aug. 1, 2018 (KR) ..... 30-2018-0035794  
(51) **LOC (13) Cl.** ..... **14-03**  
(52) **U.S. Cl.**  
USPC ..... **D14/248**  
(58) **Field of Classification Search**  
USPC ..... D14/138 G, 248, 341, 371, 374, 138 R,  
D14/138 AA, 138 AB, 138 AC, 138 AD,  
D14/138 C, 247  
CPC .... H04M 1/02; H04M 1/0279; H04M 1/0202;  
H04M 1/0283; H04M 1/0268  
See application file for complete search history.

(56) **References Cited**  
U.S. PATENT DOCUMENTS  
D627,343 S \* 11/2010 Andre ..... D14/203.7  
D639,805 S \* 6/2011 Song ..... D14/138 G  
D654,464 S \* 2/2012 Han ..... D14/138 G  
D668,238 S \* 10/2012 Kim ..... D14/138 G  
D692,845 S \* 11/2013 Cho ..... D14/138 G

D697,507 S \* 1/2014 Yu ..... D14/341  
D698,785 S \* 2/2014 Canizares ..... D14/341  
D707,214 S \* 6/2014 Reivo ..... D14/248  
D722,038 S \* 2/2015 Cheng ..... D14/138 G  
D817,314 S \* 5/2018 Kwon ..... D14/248  
D819,591 S \* 6/2018 Kwon ..... D14/138 G  
D825,513 S \* 8/2018 Seo ..... D14/138 AB  
D825,518 S \* 8/2018 Kikuchi ..... D14/138 AB  
D826,203 S \* 8/2018 Seo ..... D14/138 AB  
D826,889 S \* 8/2018 Seo ..... D14/138 AB  
D827,604 S \* 9/2018 Seo ..... D14/138 AB  
D828,318 S \* 9/2018 Seo ..... D14/138 AB  
D828,319 S \* 9/2018 Seo ..... D14/138 AB  
D832,829 S \* 11/2018 Kwon ..... D14/248  
D841,634 S \* 2/2019 Ryu ..... D14/248  
D842,833 S \* 3/2019 Seo ..... D14/138 AB  
D842,834 S \* 3/2019 Seo ..... D14/138 AB  
D854,528 S \* 7/2019 Ryu ..... D14/248  
D855,043 S \* 7/2019 Ryu ..... D14/248  
D855,044 S \* 7/2019 Cho ..... D14/248

(Continued)

*Primary Examiner* — Bridget L Eland  
(74) *Attorney, Agent, or Firm* — McAndrews Held &  
Malloy, Ltd.

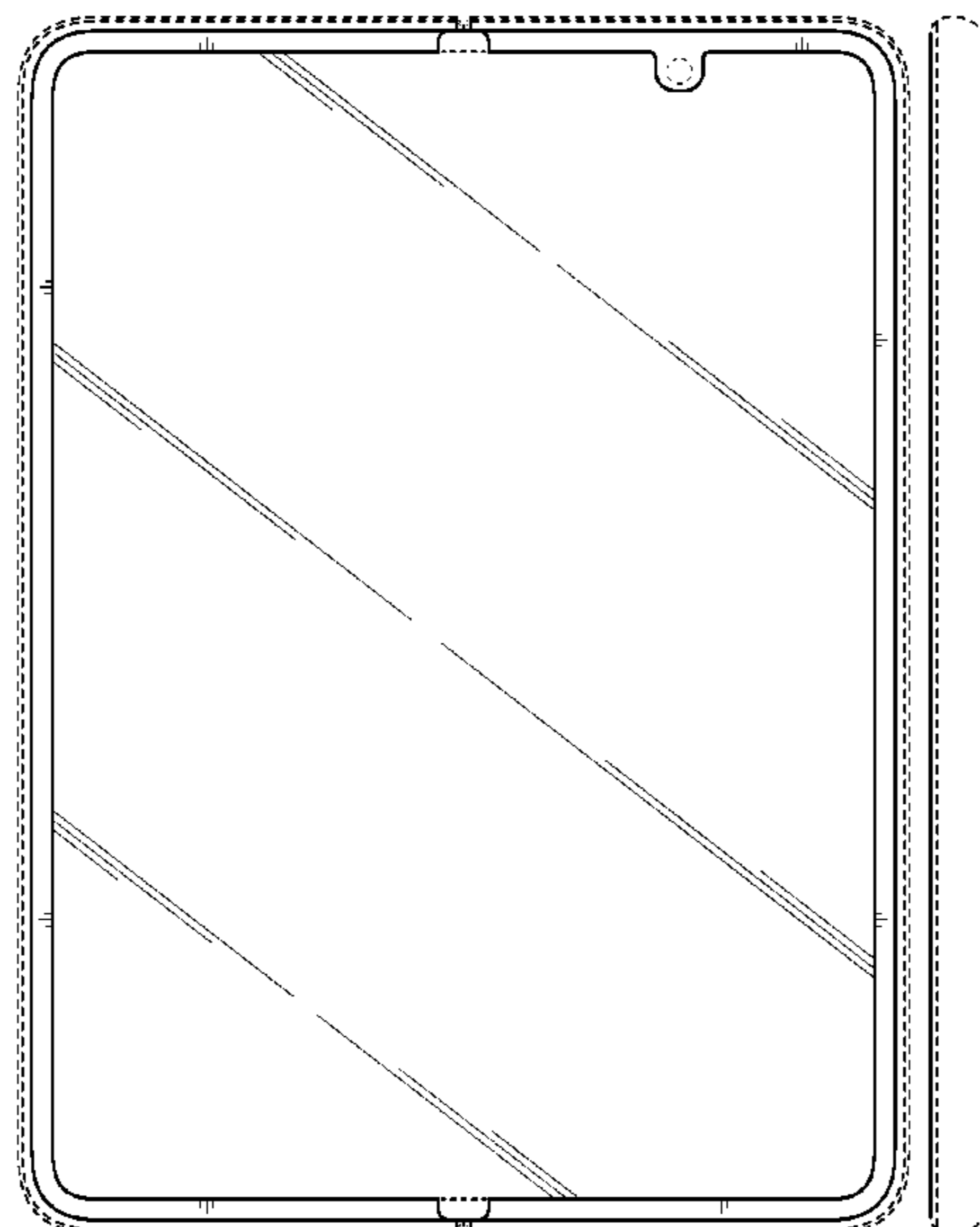
(57) **CLAIM**

The ornamental design for a mobile phone, as shown and described.

**DESCRIPTION**

FIG. 1 is a front perspective view of a mobile phone showing our new design;  
FIG. 2 is a front elevation view thereof;  
FIG. 3 is a rear elevation view thereof;  
FIG. 4 is a left side elevation view thereof;  
FIG. 5 is a right side elevation view thereof;  
FIG. 6 is a top plan view thereof; and,  
FIG. 7 is a bottom plan view thereof.  
The evenly-spaced dashed broken lines in the figures depict portions of the mobile phone that form no part of the claimed design.

**1 Claim, 7 Drawing Sheets**



(56)

References Cited

U.S. PATENT DOCUMENTS

D859,341 S \* 9/2019 Kang ..... D14/138 AB  
 D863,245 S \* 10/2019 Yuan ..... D14/138 G  
 D867,350 S \* 11/2019 Park ..... D14/248  
 D869,423 S \* 12/2019 Cho ..... D14/138 G  
 10,530,911 B2 \* 1/2020 Bao ..... H04N 7/0127  
 D874,417 S \* 2/2020 Chong ..... D14/138 G  
 D874,450 S \* 2/2020 Cha ..... D14/248  
 D877,710 S \* 3/2020 Wu ..... D14/138 G  
 D886,756 S \* 6/2020 Li ..... D14/138 G  
 D887,382 S \* 6/2020 Park ..... D14/138 G  
 D888,683 S \* 6/2020 Zhang ..... D14/138 G  
 D888,701 S \* 6/2020 Nam ..... D14/248  
 D890,713 S \* 7/2020 Xu ..... D14/138 G  
 D891,387 S \* 7/2020 Ryu ..... D14/138 G  
 D897,305 S \* 9/2020 Ryu ..... D14/138 G  
 D899,393 S \* 10/2020 Tian ..... D14/138 G  
 D899,408 S \* 10/2020 Seo ..... D14/248  
 D899,409 S \* 10/2020 Seo ..... D14/248  
 D902,878 S \* 11/2020 Kim ..... D14/138 AB  
 D902,898 S \* 11/2020 Seo ..... D14/248  
 D902,899 S \* 11/2020 Seo ..... D14/248  
 D902,900 S \* 11/2020 Seo ..... D14/248

D902,904 S \* 11/2020 Kim ..... D14/248  
 D903,621 S \* 12/2020 Kim ..... D14/138 AB  
 D904,330 S \* 12/2020 Cha ..... D14/138 G  
 D904,367 S \* 12/2020 Seo ..... D14/248  
 D904,368 S \* 12/2020 Seo ..... D14/248  
 D904,369 S \* 12/2020 Seo ..... D14/248  
 D904,370 S \* 12/2020 Seo ..... D14/248  
 D904,371 S \* 12/2020 Seo ..... D14/248  
 D904,372 S \* 12/2020 Seo ..... D14/248  
 D904,373 S \* 12/2020 Seo ..... D14/248  
 D904,374 S \* 12/2020 Seo ..... D14/248  
 D904,379 S \* 12/2020 Seo ..... D14/248  
 D904,380 S \* 12/2020 Seo ..... D14/248  
 D904,993 S \* 12/2020 Xu ..... D14/138 G  
 D904,994 S \* 12/2020 Lee ..... D14/138 G  
 D904,995 S \* 12/2020 Baek ..... D14/138 G  
 D905,029 S \* 12/2020 Seo ..... D14/248  
 D905,030 S \* 12/2020 Seo ..... D14/248  
 D905,670 S \* 12/2020 Seo ..... D14/248  
 2017/0289324 A1 \* 10/2017 Yeo ..... G06F 1/1637  
 2018/0196475 A1 \* 7/2018 Bao ..... G06F 1/1686  
 2019/0166703 A1 \* 5/2019 Kim ..... H05K 5/0017  
 2019/0245955 A1 \* 8/2019 Lee ..... G06F 1/1616  
 2019/0339739 A1 \* 11/2019 Park ..... G06F 1/1681  
 2019/0339746 A1 \* 11/2019 Kim ..... B32B 17/00

\* cited by examiner

FIG. 1

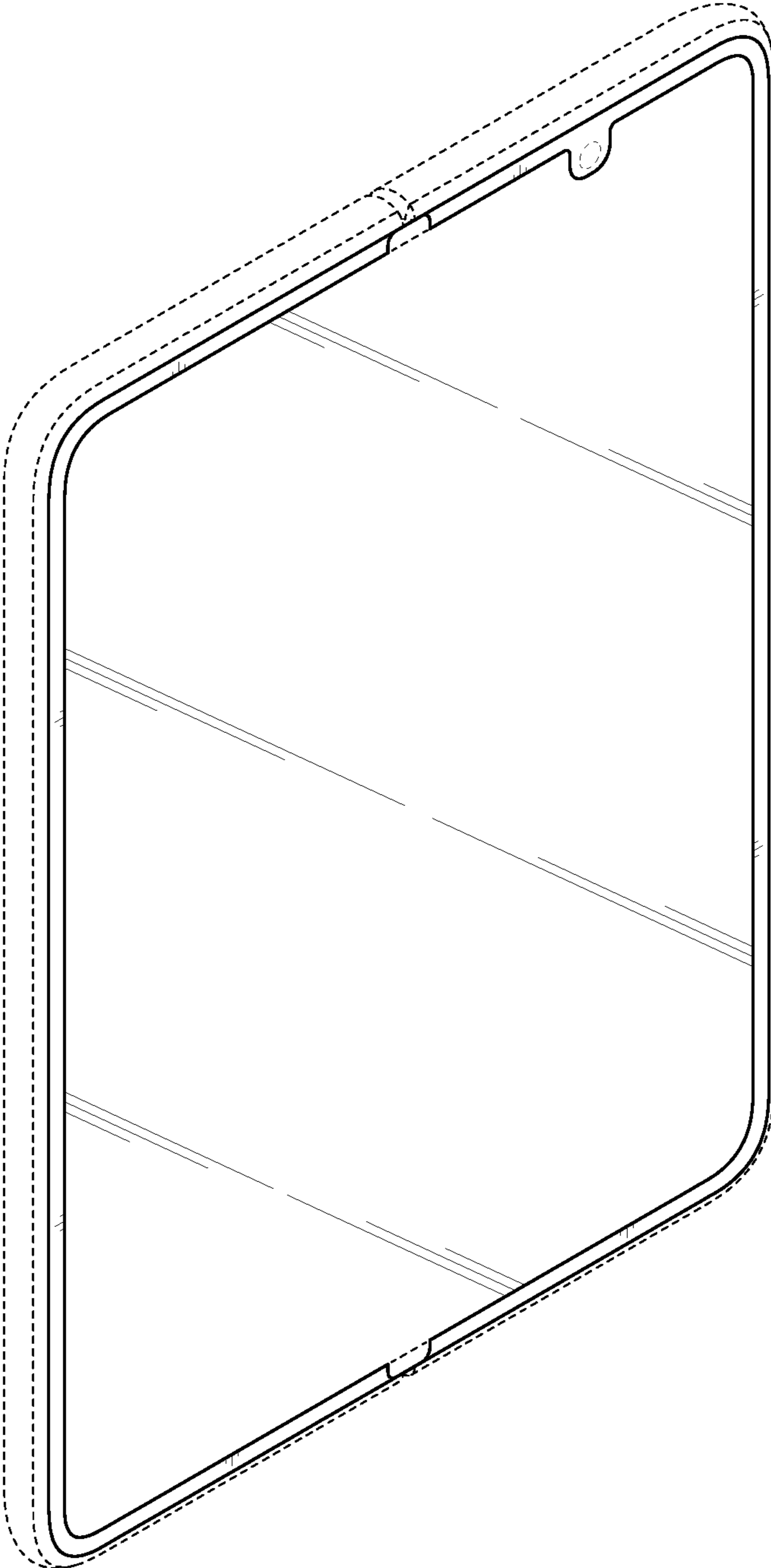


FIG. 2

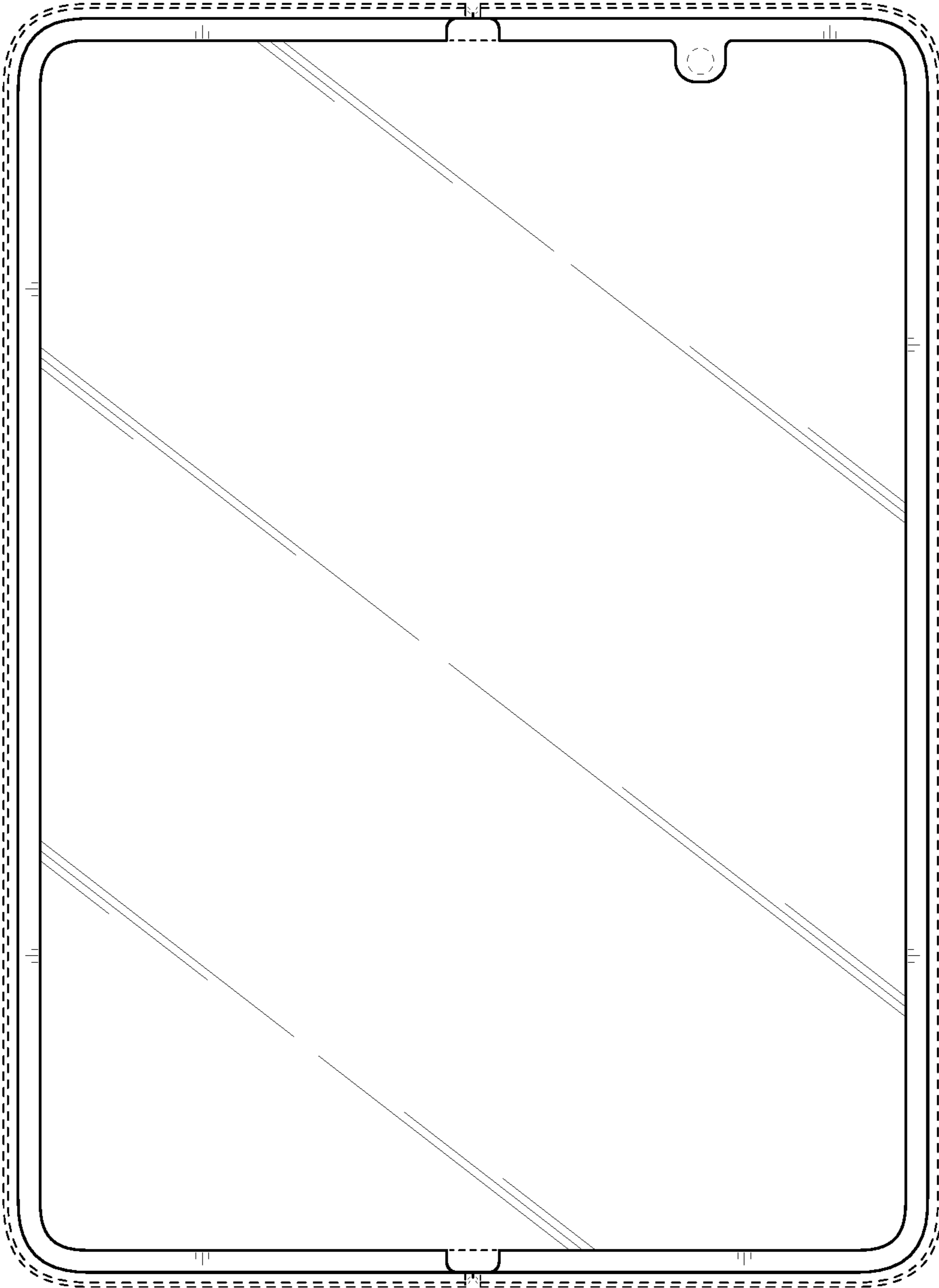


FIG. 3

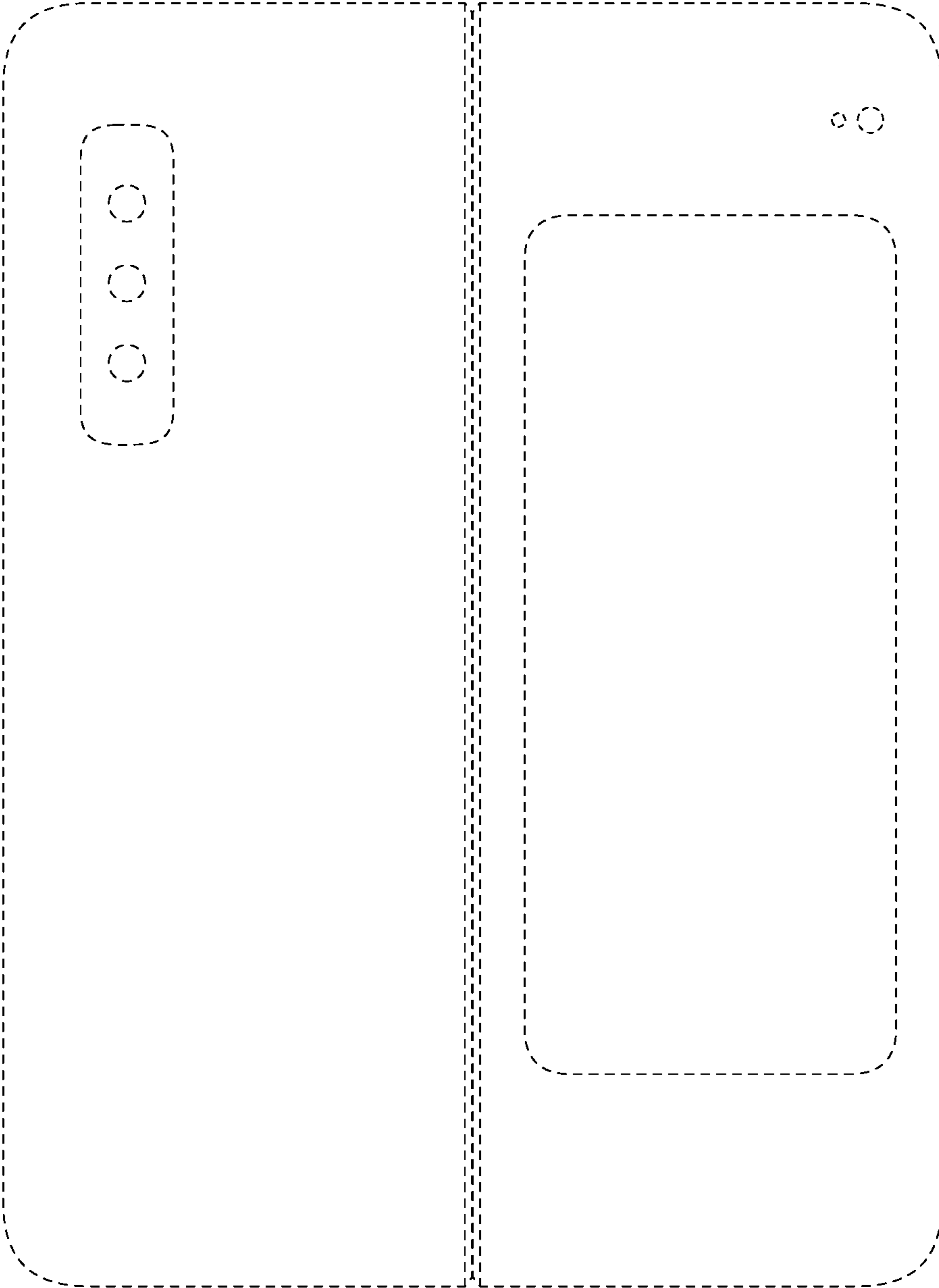


FIG. 4

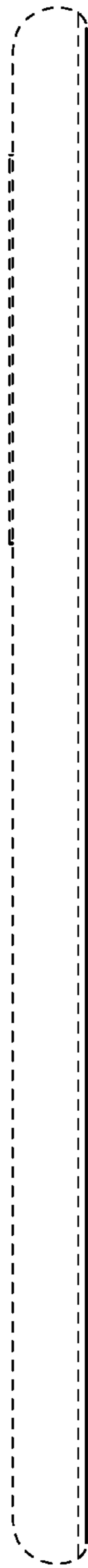


FIG. 5



FIG. 6

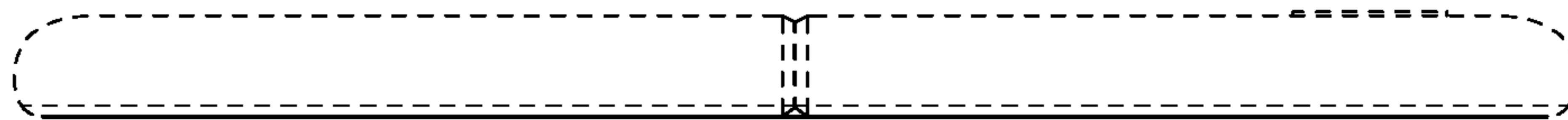




FIG. 7

