



US00D920303S

(12) **United States Design Patent** (10) **Patent No.:** **US D920,303 S**  
**Seo et al.** (45) **Date of Patent:** **\*\* \*May 25, 2021**

(54) **MOBILE PHONE**  
(71) Applicant: **Samsung Electronics Co., Ltd.**,  
Suwon-si (KR)  
(72) Inventors: **Jae-Hun Seo**, Suwon-si (KR);  
**Won-Kyu Sung**, Seongnam-si (KR)  
(73) Assignee: **SAMSUNG ELECTRONICS CO., LTD.**,  
Suwon-si (KR)  
(\* ) Notice: This patent is subject to a terminal disclaimer.  
(\*\*) Term: **15 Years**  
(21) Appl. No.: **29/678,881**  
(22) Filed: **Jan. 31, 2019**  
(30) **Foreign Application Priority Data**

Aug. 1, 2018 (KR) ..... 30-2018-0035801  
(51) **LOC (13) Cl.** ..... **14-03**  
(52) **U.S. Cl.**  
USPC ..... **D14/248**  
(58) **Field of Classification Search**  
USPC ..... D14/138 G, 248, 341, 371, 374, 138 R,  
D14/138 AA, 138 AB, 138 AC, 138 AD,  
D14/138 C, 247  
CPC .... H04M 1/02; H04M 1/0279; H04M 1/0202;  
H04M 1/0283; H04M 1/0268  
See application file for complete search history.

(56) **References Cited**  
U.S. PATENT DOCUMENTS  
D577,704 S \* 9/2008 Park ..... D14/138 AD  
D596,605 S \* 7/2009 Son ..... D14/138 AC  
D607,865 S \* 1/2010 Lee ..... D14/138 AD  
D613,722 S \* 4/2010 Kaneta ..... D14/138 G  
D627,343 S \* 11/2010 Andre ..... D14/203.7

D639,805 S \* 6/2011 Song ..... D14/138 G  
D645,015 S \* 9/2011 Lee ..... D14/138 G  
D645,833 S \* 9/2011 Seflic ..... D14/138 G  
D654,464 S \* 2/2012 Han ..... D14/138 G  
D660,274 S \* 5/2012 Lee ..... D14/138 G  
D668,238 S \* 10/2012 Kim ..... D14/138 G  
D680,524 S \* 4/2013 Feng ..... D14/341  
D692,845 S \* 11/2013 Cho ..... D14/138 G  
D695,255 S \* 12/2013 Kim ..... D14/138 G  
D698,785 S \* 2/2014 Canizares ..... D14/341  
D700,164 S \* 2/2014 Park ..... D14/138 G  
D707,214 S \* 6/2014 Reivo ..... D14/248  
D715,794 S \* 10/2014 Zhou ..... D14/341  
D721,667 S \* 1/2015 Chuang ..... D14/138 G  
D722,038 S \* 2/2015 Cheng ..... D14/138 G  
D753,640 S \* 4/2016 Cha ..... D14/248  
D783,565 S \* 4/2017 Kim ..... D14/138 G  
D786,816 S \* 5/2017 Choo ..... D14/138 AA  
D787,505 S \* 5/2017 Kim ..... D14/341  
D788,102 S \* 5/2017 Kim ..... D14/341

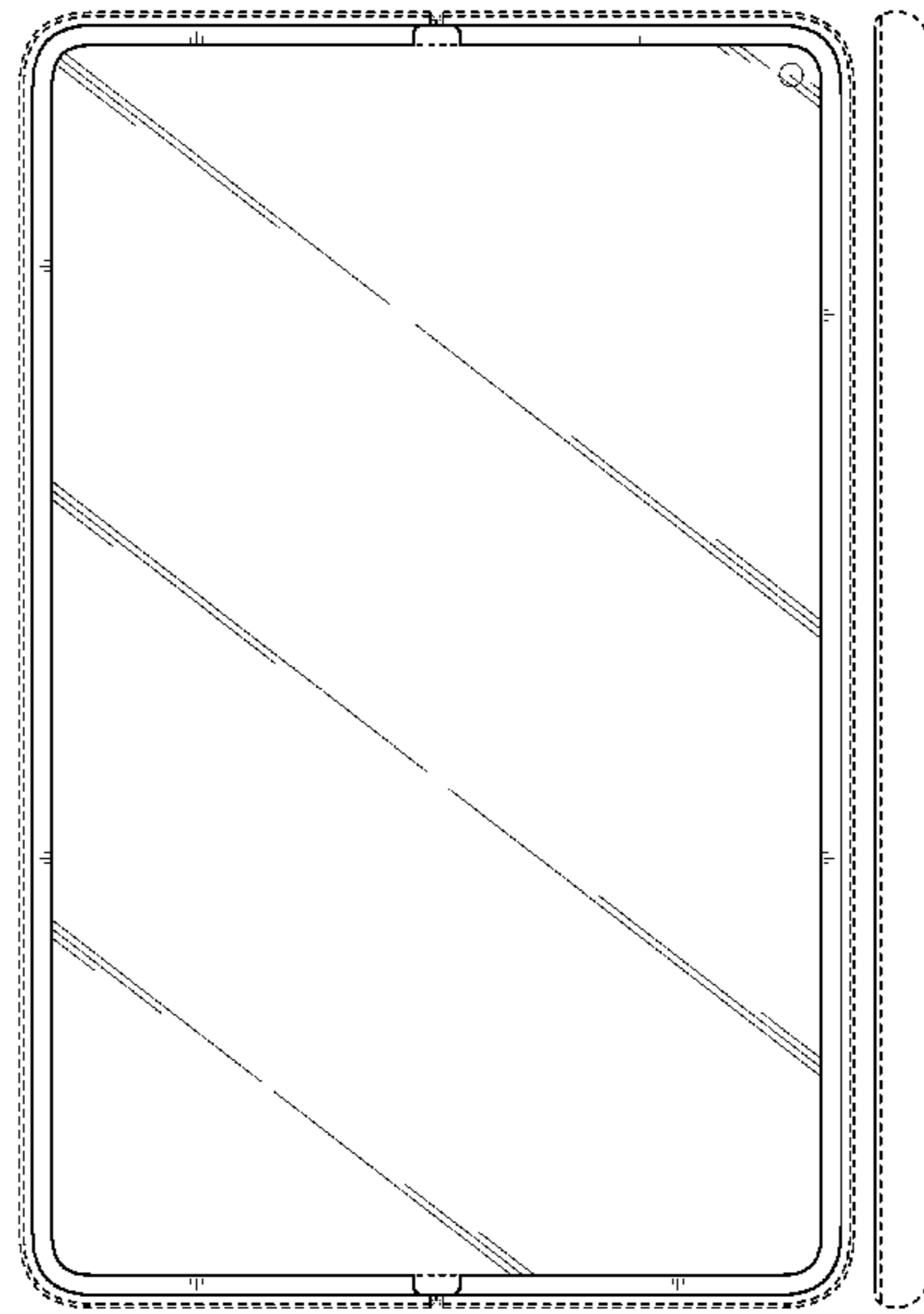
(Continued)

*Primary Examiner* — Bridget L Eland  
(74) *Attorney, Agent, or Firm* — McAndrews Held & Malloy, Ltd.

(57) **CLAIM**  
The ornamental design for a mobile phone, as shown and described.

**DESCRIPTION**  
FIG. 1 is a front perspective view of a mobile phone showing our new design;  
FIG. 2 is a front elevation view thereof;  
FIG. 3 is a rear elevation view thereof;  
FIG. 4 is a left side elevation view thereof;  
FIG. 5 is a right side elevation view thereof;  
FIG. 6 is a top plan view thereof; and,  
FIG. 7 is a bottom plan view thereof.  
The evenly-spaced dashed broken lines in the figures depict portions of the mobile phone that form no part of the claimed design.

**1 Claim, 7 Drawing Sheets**



(56)

References Cited

U.S. PATENT DOCUMENTS

D788,773	S	*	6/2017	Seo	.....	D14/345
D791,096	S	*	7/2017	Hu	.....	D14/138 G
D795,861	S	*	8/2017	Seo	.....	D14/341
D800,710	S	*	10/2017	Ryu	.....	D14/248
D804,443	S	*	12/2017	Kang	.....	D14/138 AB
D808,957	S	*	1/2018	Tian	.....	D14/341
D810,041	S	*	2/2018	Lee	.....	D14/138 AB
D822,017	S	*	7/2018	Noh	.....	D14/341
D825,513	S	*	8/2018	Seo	.....	D14/138 AB
D825,518	S	*	8/2018	Kikuchi	.....	D14/138 AB
D826,203	S	*	8/2018	Seo	.....	D14/138 AB
D826,889	S	*	8/2018	Seo	.....	D14/138 AB
D827,604	S	*	9/2018	Seo	.....	D14/138 AB
D828,318	S	*	9/2018	Seo	.....	D14/138 AB
D828,319	S	*	9/2018	Seo	.....	D14/138 AB
D837,176	S	*	1/2019	Choi	.....	D14/138 G
D842,833	S	*	3/2019	Seo	.....	D14/138 AB
D842,834	S	*	3/2019	Seo	.....	D14/138 AB
D856,293	S	*	8/2019	Seo	.....	D14/138 G
D856,955	S	*	8/2019	Seo	.....	D14/138 G
D859,341	S	*	9/2019	Kang	.....	D14/138 AB
D859,383	S	*	9/2019	Yi	.....	D14/248
D865,732	S	*	11/2019	Park	.....	D14/248
D865,733	S	*	11/2019	Park	.....	D14/248
D865,734	S	*	11/2019	Park	.....	D14/248
D865,735	S	*	11/2019	Park	.....	D14/248
D865,737	S	*	11/2019	Park	.....	D14/248
D865,738	S	*	11/2019	Park	.....	D14/248
D866,496	S	*	11/2019	Kim	.....	D14/138 G
D866,540	S	*	11/2019	Park	.....	D14/248
D866,541	S	*	11/2019	Park	.....	D14/248
D866,542	S	*	11/2019	Park	.....	D14/248
D867,351	S	*	11/2019	Park	.....	D14/248
D868,763	S	*	12/2019	Kim	.....	D14/248
D869,423	S	*	12/2019	Cho	.....	D14/138 G
D870,088	S	*	12/2019	Kim	.....	D14/248
D880,463	S	*	4/2020	Kim	.....	D14/248
D888,030	S	*	6/2020	Kim	.....	D14/248
D890,111	S	*	7/2020	Park	.....	D14/138 G
D890,112	S	*	7/2020	Park	.....	D14/138 G
D894,163	S	*	8/2020	Kim	.....	D14/248
D894,885	S	*	9/2020	Park	.....	D14/248
D897,980	S	*	10/2020	Wu	.....	D14/138 G
D897,981	S	*	10/2020	Kim	.....	D14/138 G
D899,408	S	*	10/2020	Seo	.....	D14/248
D899,409	S	*	10/2020	Seo	.....	D14/248
D900,779	S	*	11/2020	Gu	.....	D14/138 G
D901,421	S	*	11/2020	Hu	.....	D14/138 G
D902,167	S	*	11/2020	Lee	.....	D14/138 AB
D902,878	S	*	11/2020	Kim	.....	D14/138 AB
D902,898	S	*	11/2020	Seo	.....	D14/248
D902,899	S	*	11/2020	Seo	.....	D14/248
D902,900	S	*	11/2020	Seo	.....	D14/248
D902,904	S	*	11/2020	Kim	.....	D14/248
D903,621	S	*	12/2020	Kim	.....	D14/138 AB
D903,644	S	*	12/2020	Kim	.....	D14/248
D904,367	S	*	12/2020	Seo	.....	D14/248
D904,368	S	*	12/2020	Seo	.....	D14/248
D904,369	S	*	12/2020	Seo	.....	D14/248
D904,370	S	*	12/2020	Seo	.....	D14/248
D904,371	S	*	12/2020	Seo	.....	D14/248
D904,372	S	*	12/2020	Seo	.....	D14/248
D904,373	S	*	12/2020	Seo	.....	D14/248
D904,374	S	*	12/2020	Seo	.....	D14/248
D904,379	S	*	12/2020	Seo	.....	D14/248
D904,380	S	*	12/2020	Seo	.....	D14/248
D905,029	S	*	12/2020	Seo	.....	D14/248
D905,030	S	*	12/2020	Seo	.....	D14/248
D905,670	S	*	12/2020	Seo	.....	D14/248
2013/0307816	A1	*	11/2013	Lee	.....	G06F 1/1652 345/174
2019/0166703	A1	*	5/2019	Kim	.....	H05K 5/0017
2019/0245955	A1	*	8/2019	Lee	.....	G06F 1/1616
2019/0339739	A1	*	11/2019	Park	.....	G06F 1/1681

\* cited by examiner

FIG. 1

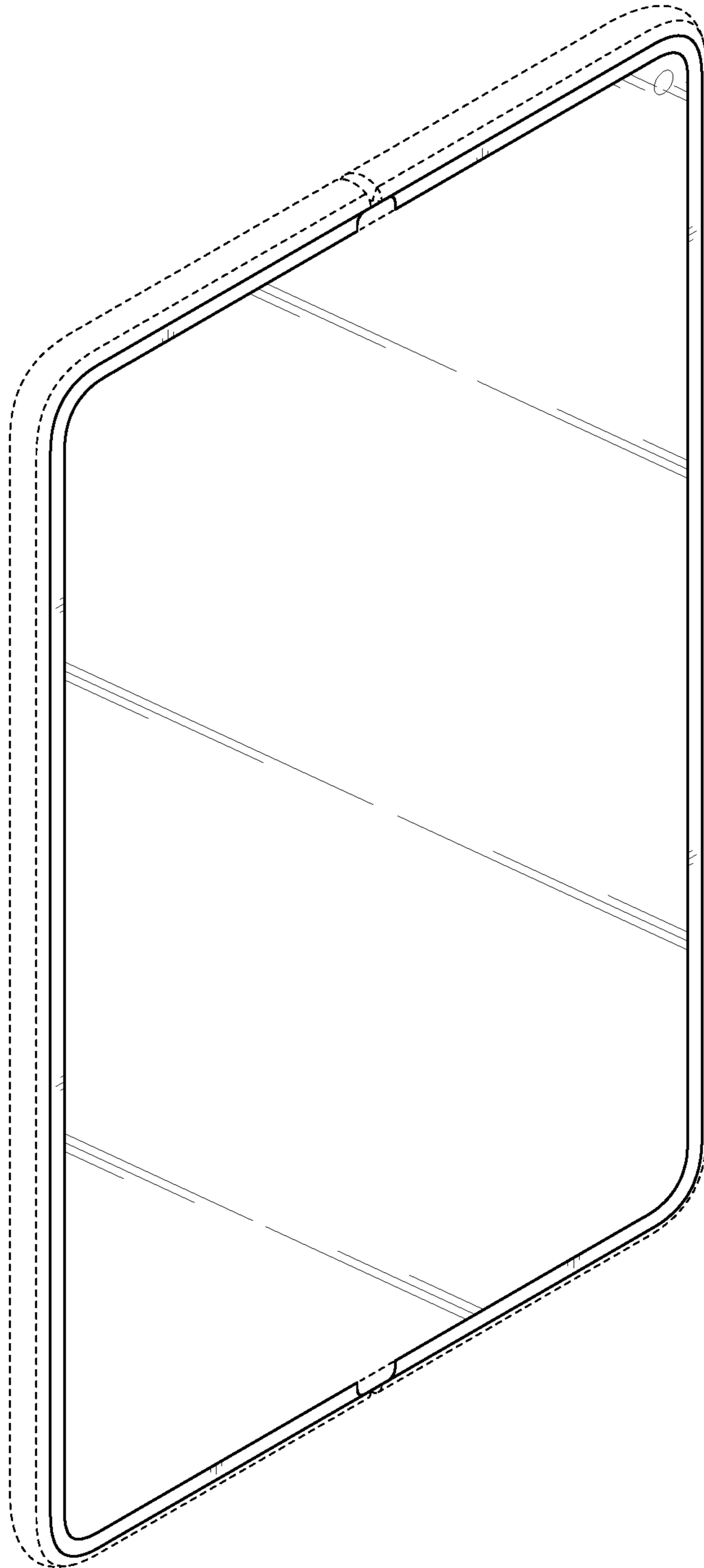


FIG. 2

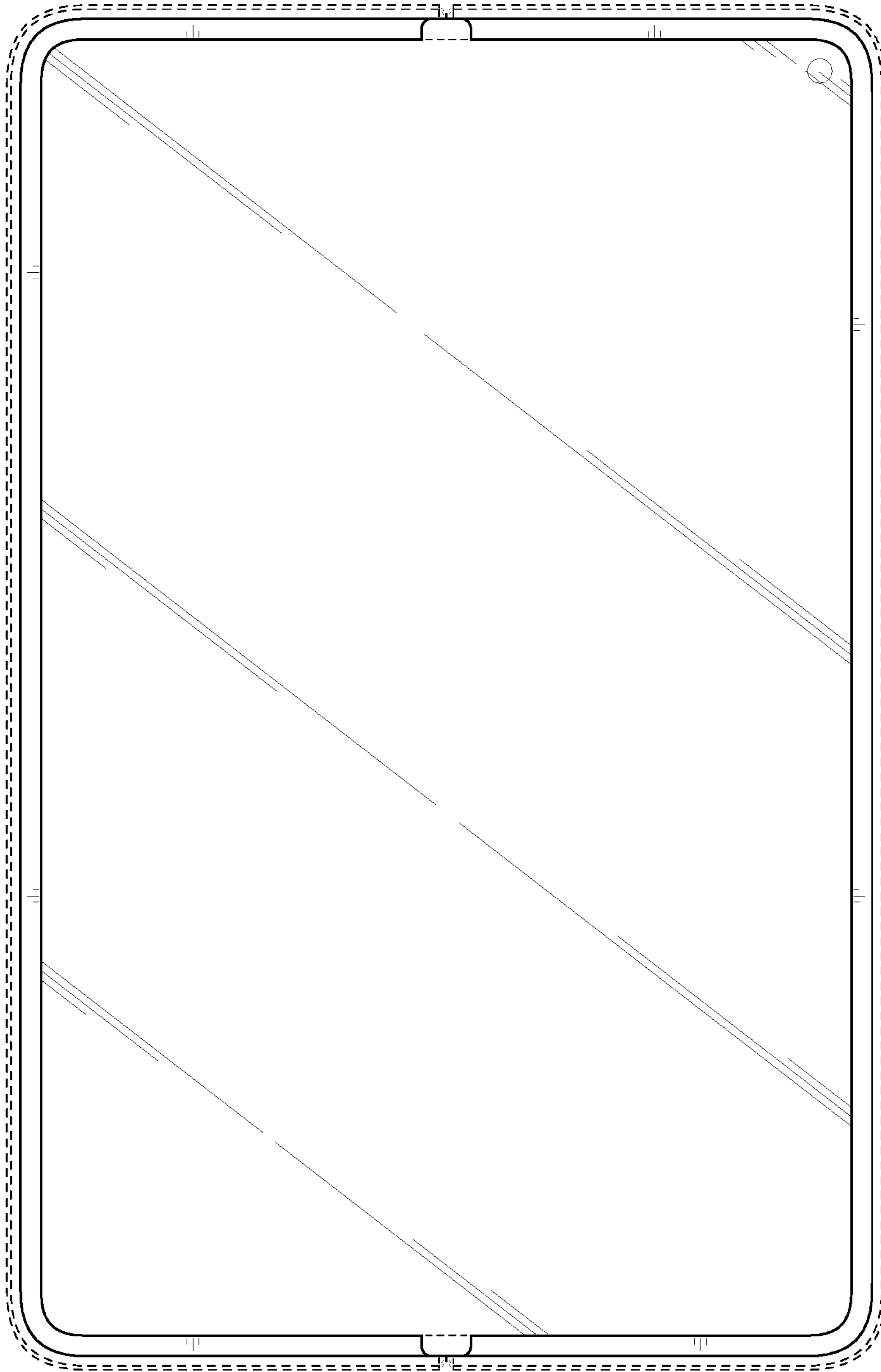


FIG. 3

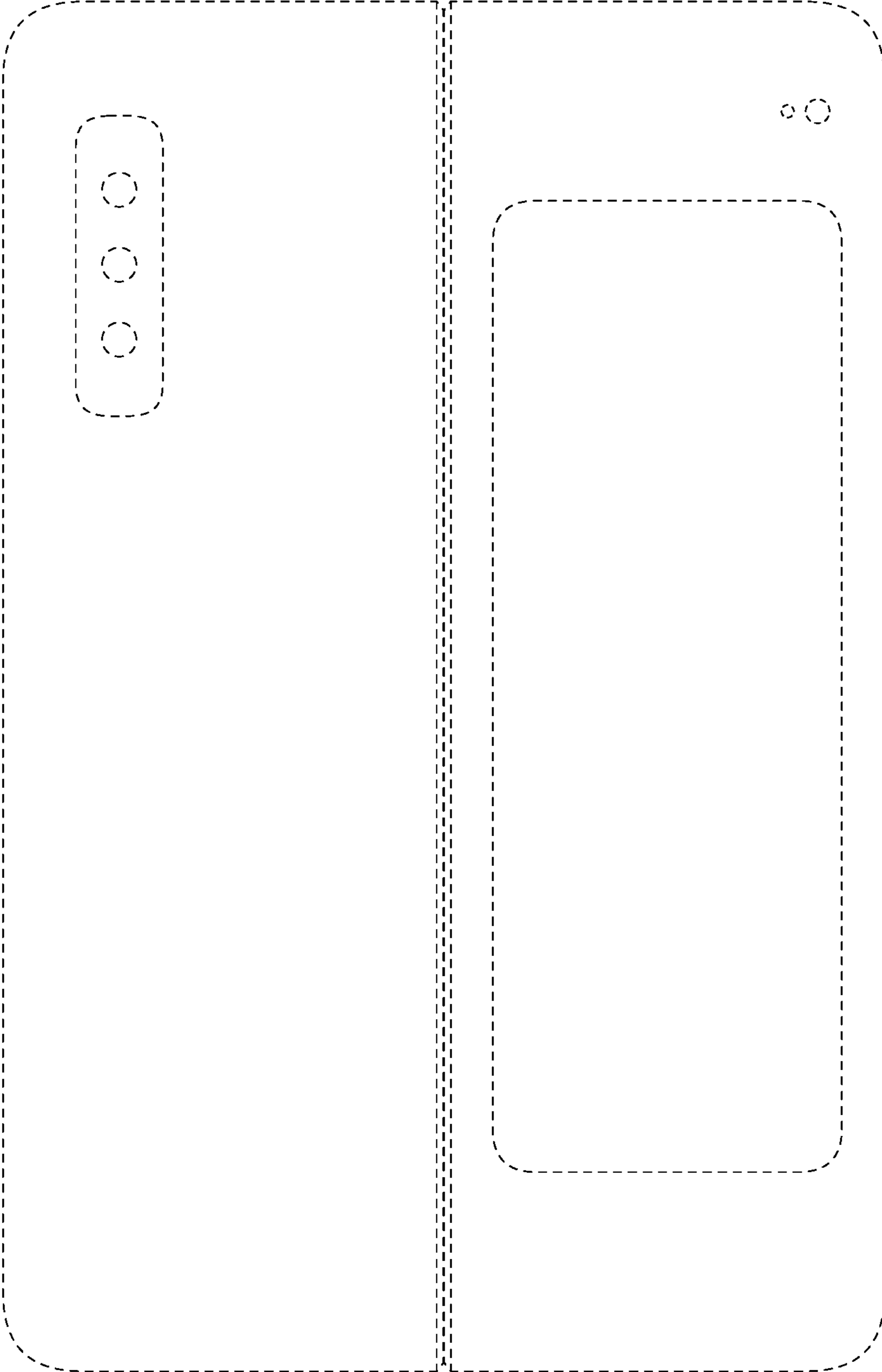


FIG. 4

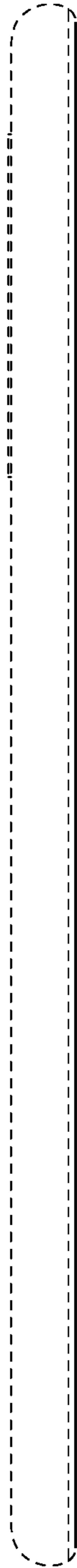


FIG. 5



FIG. 6

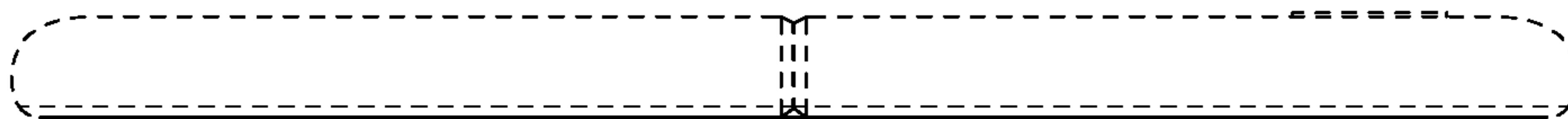




FIG. 7

