



US00D920301S

(12) **United States Design Patent** (10) **Patent No.:** **US D920,301 S**
Seo et al. (45) **Date of Patent:** **** *May 25, 2021**

(54) **MOBILE PHONE**
(71) Applicant: **Samsung Electronics Co., Ltd.**,
Suwon-si (KR)
(72) Inventors: **Jae-Hun Seo**, Suwon-si (KR);
Won-Kyu Sung, Seongnam-si (KR)
(73) Assignee: **SAMSUNG ELECTRONICS CO., LTD.**,
Suwon-si (KR)
(*) Notice: This patent is subject to a terminal disclaimer.
(**) Term: **15 Years**
(21) Appl. No.: **29/678,872**
(22) Filed: **Jan. 31, 2019**
(30) **Foreign Application Priority Data**

Aug. 1, 2018 (KR) 30-2018-0035803
(51) **LOC (13) Cl.** **14-03**
(52) **U.S. Cl.**
USPC **D14/248**
(58) **Field of Classification Search**
USPC D14/138 G, 248, 341, 371, 374, 138 R,
D14/138 AA, 138 AB, 138 AC, 138 AD,
D14/138 C, 247
CPC H04M 1/02; H04M 1/0279; H04M 1/0202;
H04M 1/0283; H04M 1/0268
See application file for complete search history.

(56) **References Cited**
U.S. PATENT DOCUMENTS
D627,343 S * 11/2010 Andre D14/203.7
D639,805 S * 6/2011 Song D14/138 G
D654,464 S * 2/2012 Han D14/138 G
D668,238 S * 10/2012 Kim D14/138 G
D692,845 S * 11/2013 Cho D14/138 G

D697,507 S * 1/2014 Yu D14/341
D698,785 S * 2/2014 Canizares D14/341
D707,214 S * 6/2014 Reivo D14/248
D722,038 S * 2/2015 Cheng D14/138 G
D817,314 S * 5/2018 Kwon D14/248
D819,591 S * 6/2018 Kwon D14/138 G
D825,513 S * 8/2018 Seo D14/138 AB
D825,518 S * 8/2018 Kikuchi D14/138 AB
D826,203 S * 8/2018 Seo D14/138 AB
D826,889 S * 8/2018 Seo D14/138 AB
D827,604 S * 9/2018 Seo D14/138 AB
D828,318 S * 9/2018 Seo D14/138 AB
D828,319 S * 9/2018 Seo D14/138 AB
D832,829 S * 11/2018 Kwon D14/248
D841,634 S * 2/2019 Ryu D14/248
D842,833 S * 3/2019 Seo D14/138 AB
D842,834 S * 3/2019 Seo D14/138 AB
D854,528 S * 7/2019 Ryu D14/248
D855,043 S * 7/2019 Ryu D14/248
D855,044 S * 7/2019 Cho D14/248

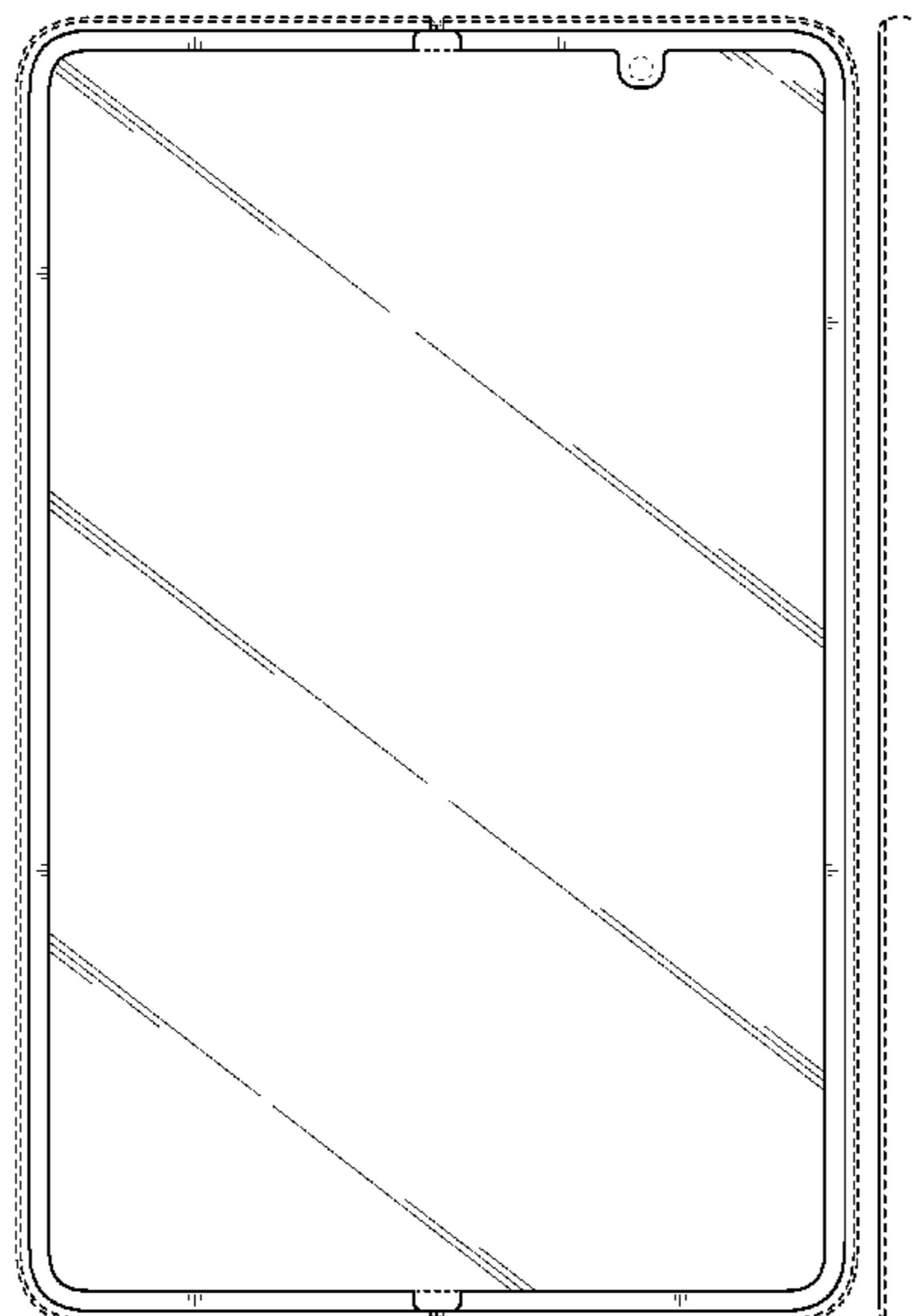
(Continued)

Primary Examiner — Bridget L Eland
(74) *Attorney, Agent, or Firm* — McAndrews Held & Malloy, Ltd.

(57) **CLAIM**
The ornamental design for a mobile phone, as shown and described.

DESCRIPTION
FIG. 1 is a front perspective view of a mobile phone showing our new design;
FIG. 2 is a front elevation view thereof;
FIG. 3 is a rear elevation view thereof;
FIG. 4 is a left side elevation view thereof;
FIG. 5 is a right side elevation view thereof;
FIG. 6 is a top plan view thereof; and,
FIG. 7 is a bottom plan view thereof.
The evenly-spaced dashed broken lines in the figures depict portions of the mobile phone that form no part of the claimed design.

1 Claim, 7 Drawing Sheets



(56)

References Cited

U.S. PATENT DOCUMENTS

D859,341 S * 9/2019 Kang D14/138 AB
 D863,245 S * 10/2019 Yuan D14/138 G
 D867,350 S * 11/2019 Park D14/248
 D869,423 S * 12/2019 Cho D14/138 G
 10,530,911 B2 * 1/2020 Bao H04N 7/0127
 D874,417 S * 2/2020 Chong D14/138 G
 D874,450 S * 2/2020 Cha D14/248
 D877,710 S * 3/2020 Wu D14/138 G
 D886,756 S * 6/2020 Li D14/138 G
 D887,382 S * 6/2020 Park D14/138 G
 D888,683 S * 6/2020 Zhang D14/138 G
 D888,701 S * 6/2020 Nam D14/248
 D890,713 S * 7/2020 Xu D14/138 G
 D891,387 S * 7/2020 Ryu D14/138 G
 D897,305 S * 9/2020 Ryu D14/138 G
 D899,393 S * 10/2020 Tian D14/138 G
 D899,408 S * 10/2020 Seo D14/248
 D899,409 S * 10/2020 Seo D14/248
 D902,878 S * 11/2020 Kim D14/138 AB
 D902,898 S * 11/2020 Seo D14/248
 D902,899 S * 11/2020 Seo D14/248
 D902,900 S * 11/2020 Seo D14/248

D902,904 S * 11/2020 Kim D14/248
 D903,621 S * 12/2020 Kim D14/138 AB
 D904,330 S * 12/2020 Cha D14/138 G
 D904,367 S * 12/2020 Seo D14/248
 D904,368 S * 12/2020 Seo D14/248
 D904,369 S * 12/2020 Seo D14/248
 D904,370 S * 12/2020 Seo D14/248
 D904,371 S * 12/2020 Seo D14/248
 D904,372 S * 12/2020 Seo D14/248
 D904,373 S * 12/2020 Seo D14/248
 D904,374 S * 12/2020 Seo D14/248
 D904,379 S * 12/2020 Seo D14/248
 D904,380 S * 12/2020 Seo D14/248
 D904,993 S * 12/2020 Xu D14/138 G
 D904,994 S * 12/2020 Lee D14/138 G
 D904,995 S * 12/2020 Baek D14/138 G
 D905,029 S * 12/2020 Seo D14/248
 D905,030 S * 12/2020 Seo D14/248
 D905,670 S * 12/2020 Seo D14/248
 2017/0289324 A1 * 10/2017 Yeo G06F 1/1637
 2018/0196475 A1 * 7/2018 Bao G06F 1/1686
 2019/0166703 A1 * 5/2019 Kim H05K 5/0017
 2019/0245955 A1 * 8/2019 Lee G06F 1/1616
 2019/0339739 A1 * 11/2019 Park G06F 1/1681
 2019/0339746 A1 * 11/2019 Kim B32B 17/00

* cited by examiner

FIG. 1

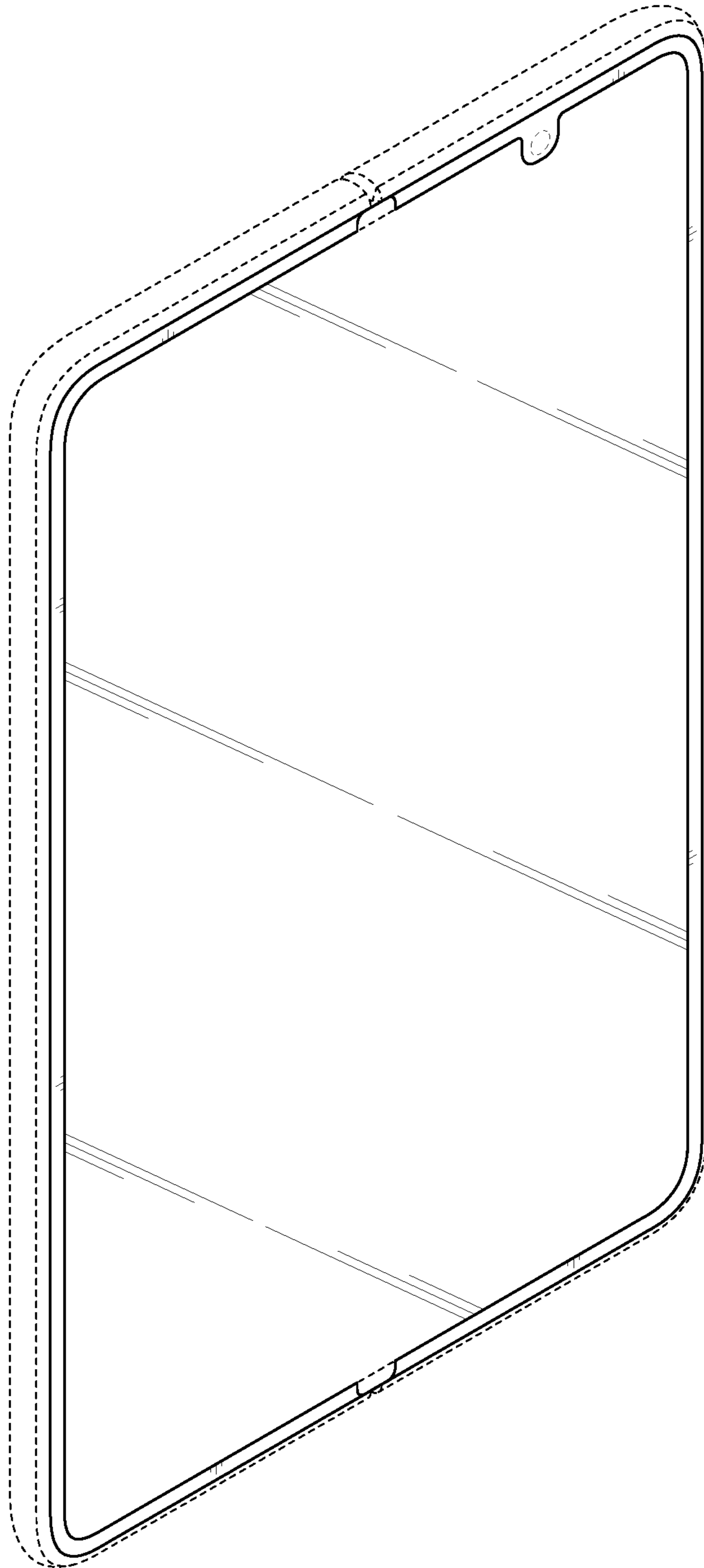


FIG. 2

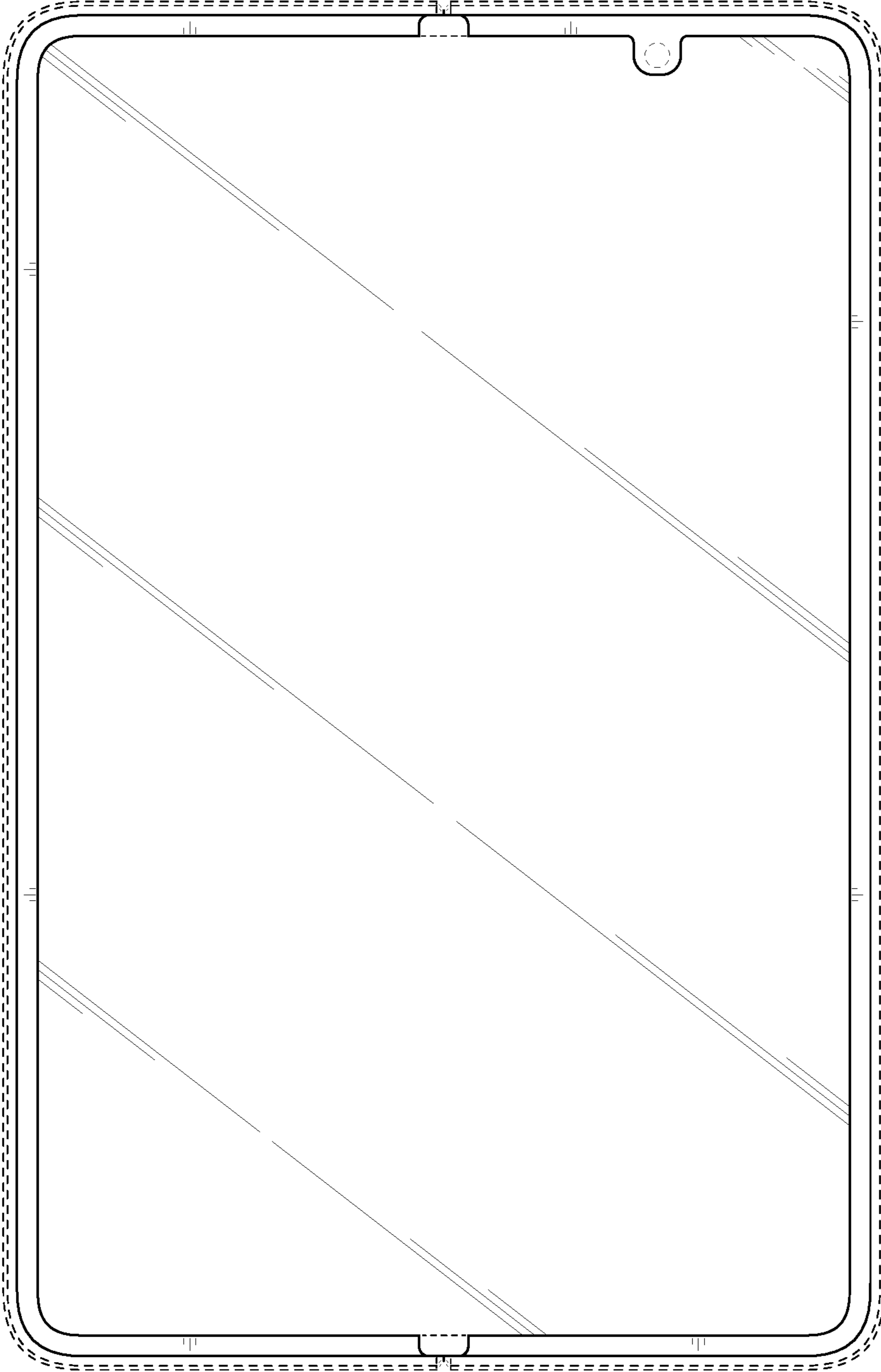


FIG. 3

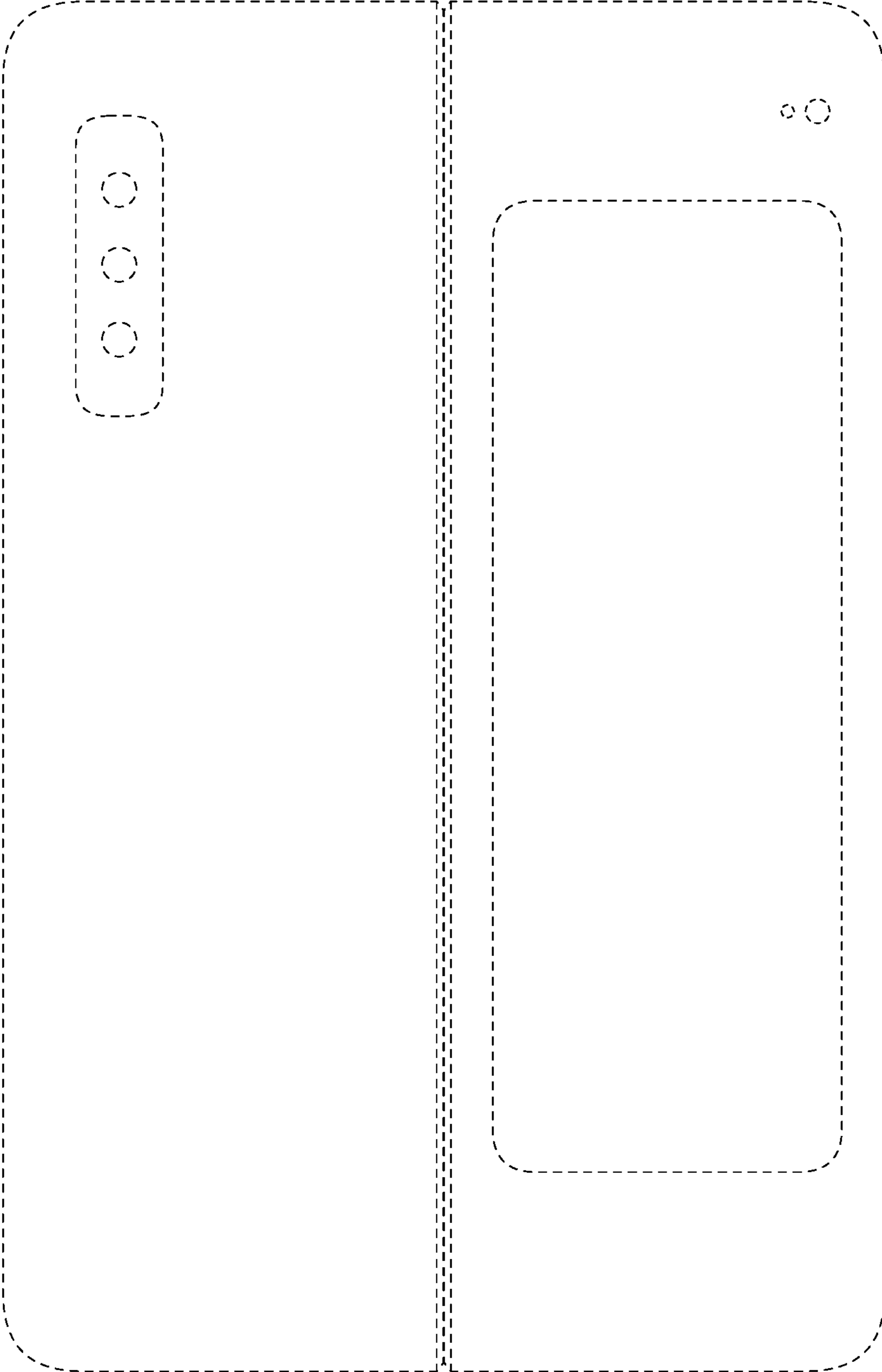


FIG. 4

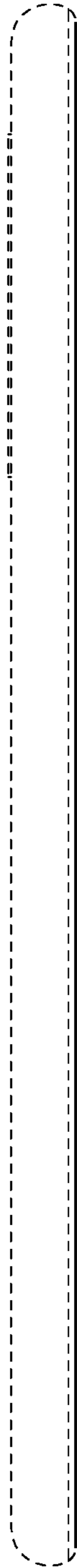


FIG. 5



FIG. 6

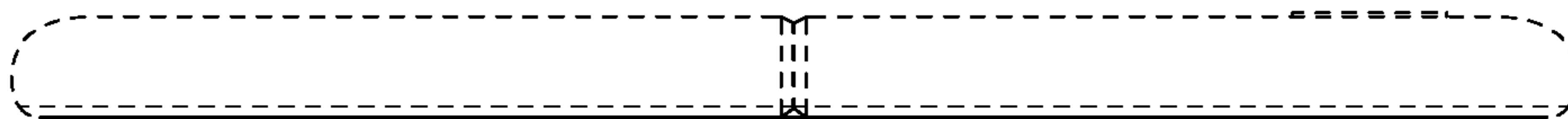


FIG. 7

