



US00D920298S

(12) **United States Design Patent** (10) **Patent No.:** **US D920,298 S**  
**Wu** (45) **Date of Patent:** **\*\* May 25, 2021**

(54) **TV ANTENNA**  
 (71) Applicant: **Fang Wu**, Guangdong (CN)  
 (72) Inventor: **Fang Wu**, Guangdong (CN)  
 (\*\*) Term: **15 Years**  
 (21) Appl. No.: **29/705,767**  
 (22) Filed: **Sep. 16, 2019**  
 (51) **LOC (13) Cl.** ..... **14-03**  
 (52) **U.S. Cl.**  
 USPC ..... **D14/230**  
 (58) **Field of Classification Search**  
 USPC ..... D14/138, 230–238, 299, 358; D12/42,  
 D12/43  
 CPC ..... H01Q 7/00; H01Q 13/10; H01Q 9/285;  
 H01Q 19/30; H01Q 19/12; H01Q 1/38;  
 H01Q 1/36; H04B 1/0475; H04B 1/034;  
 H05K 11/00  
 See application file for complete search history.

(56) **References Cited**

**U.S. PATENT DOCUMENTS**

D316,849 S \* 5/1991 Houghton ..... D14/308  
 D333,470 S \* 2/1993 Vong ..... D14/230  
 D345,564 S \* 3/1994 Kadono ..... D14/230  
 D464,340 S \* 10/2002 Schmidt ..... D14/240  
 D471,882 S \* 3/2003 Lan ..... D14/125

D483,746 S \* 12/2003 Hyogo ..... D14/230  
 D516,061 S \* 2/2006 Wang ..... D14/230  
 D517,537 S \* 3/2006 Wang ..... D14/230  
 D614,610 S \* 4/2010 Sala ..... D14/230  
 D626,100 S \* 10/2010 Huang ..... D14/125  
 D649,151 S \* 11/2011 Ramones ..... D14/358  
 D716,296 S \* 10/2014 Drew ..... D14/353  
 D732,010 S \* 6/2015 Hsiau ..... D14/240  
 D760,719 S \* 7/2016 Zhou ..... D14/420  
 D894,180 S \* 8/2020 Yang ..... D14/348

\* cited by examiner

*Primary Examiner* — John Windmuller

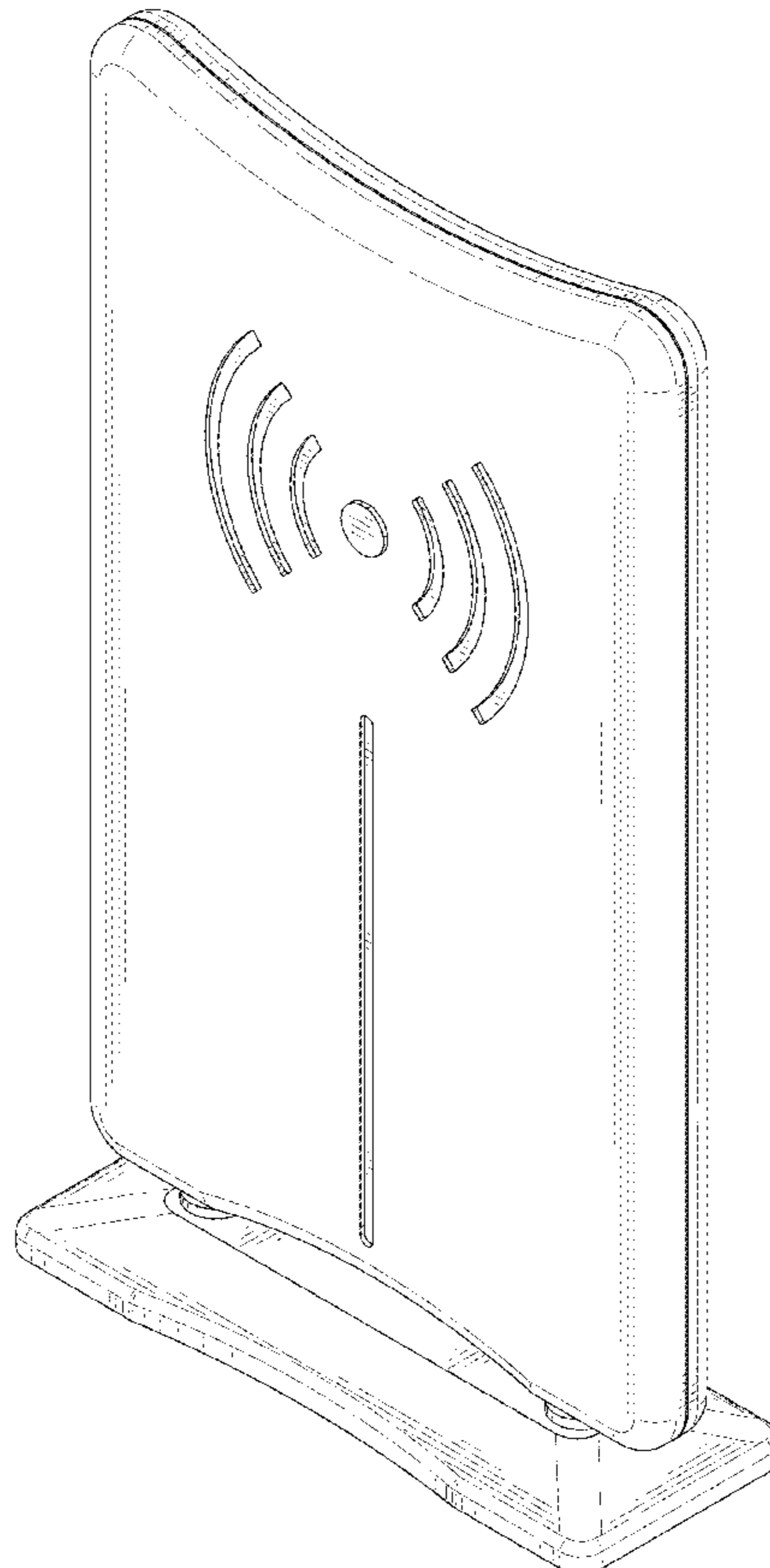
(57) **CLAIM**

The ornamental design for a TV antenna, as shown and described.

**DESCRIPTION**

FIG. 1 is a top, front and right side perspective view of a TV antenna showing my new design;  
 FIG. 2 is a bottom, rear and left side perspective view thereof;  
 FIG. 3 is a front elevational view thereof;  
 FIG. 4 is a rear elevational view thereof;  
 FIG. 5 is a left side view thereof;  
 FIG. 6 is a right side view thereof;  
 FIG. 7 is a top plan view thereof; and,  
 FIG. 8 is a bottom plan view thereof.  
 The broken lines in the drawings illustrate portions of the TV antenna which form no part of the claimed design.

**1 Claim, 8 Drawing Sheets**



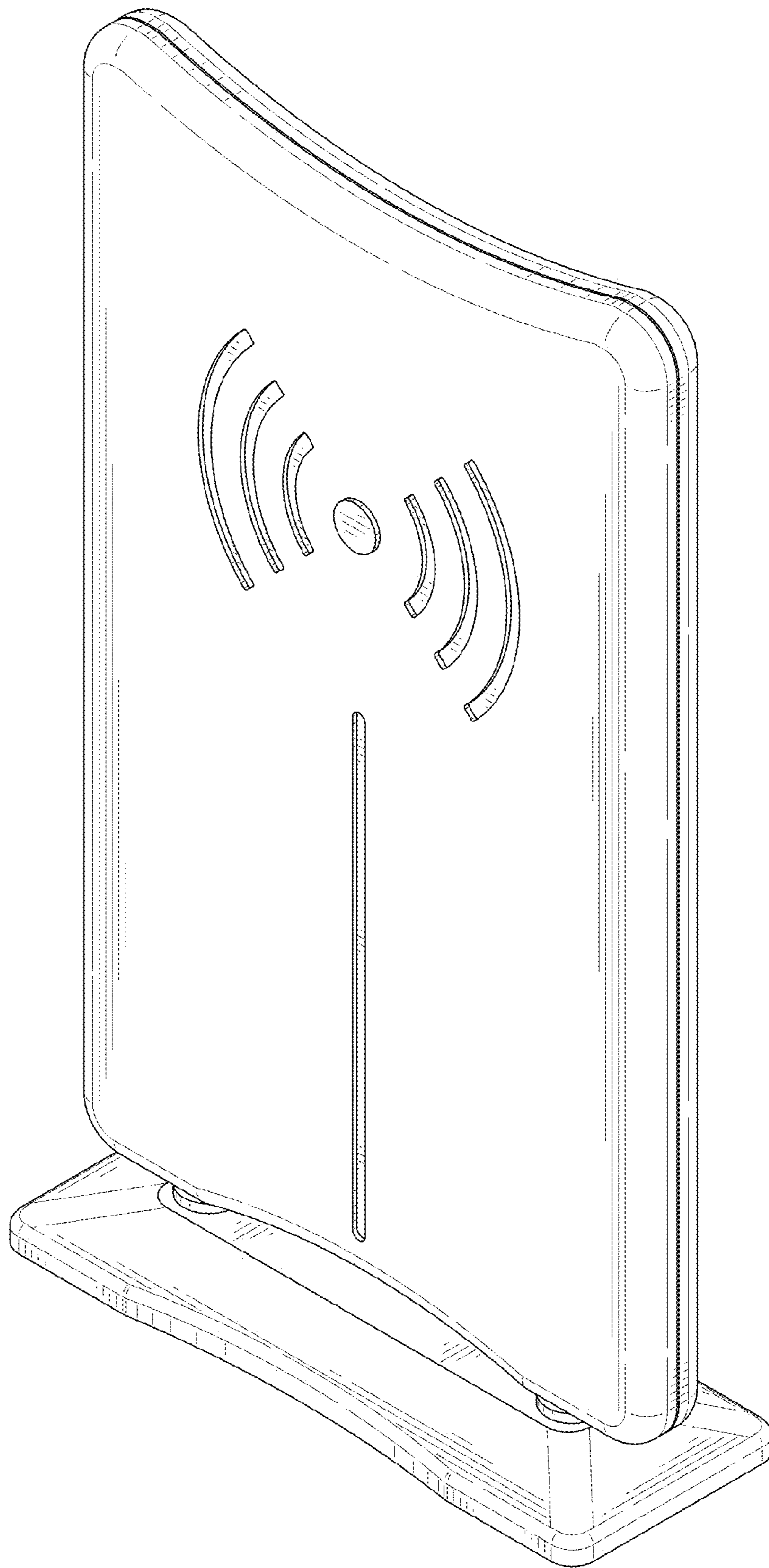


FIG. 1

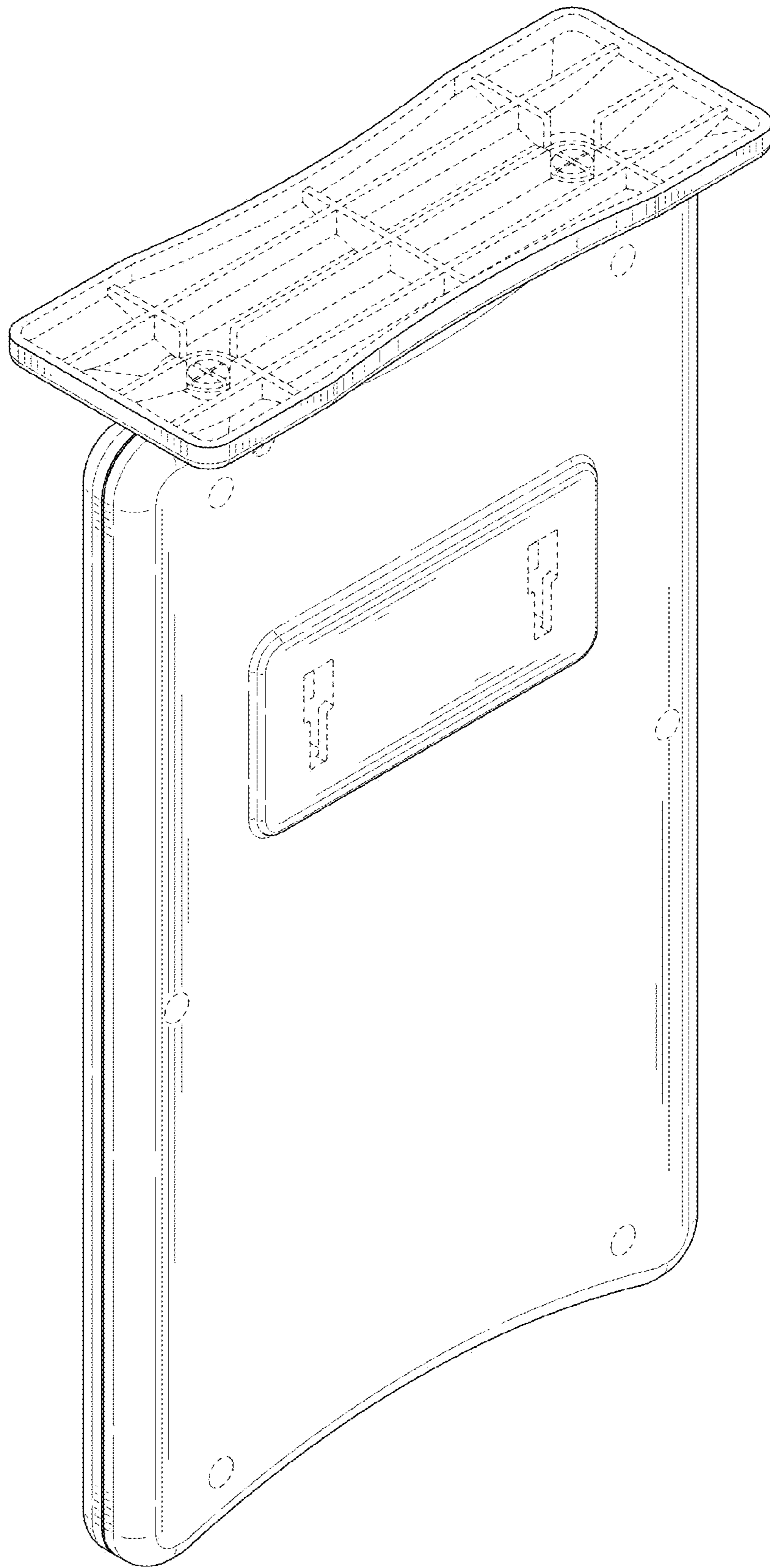


FIG. 2

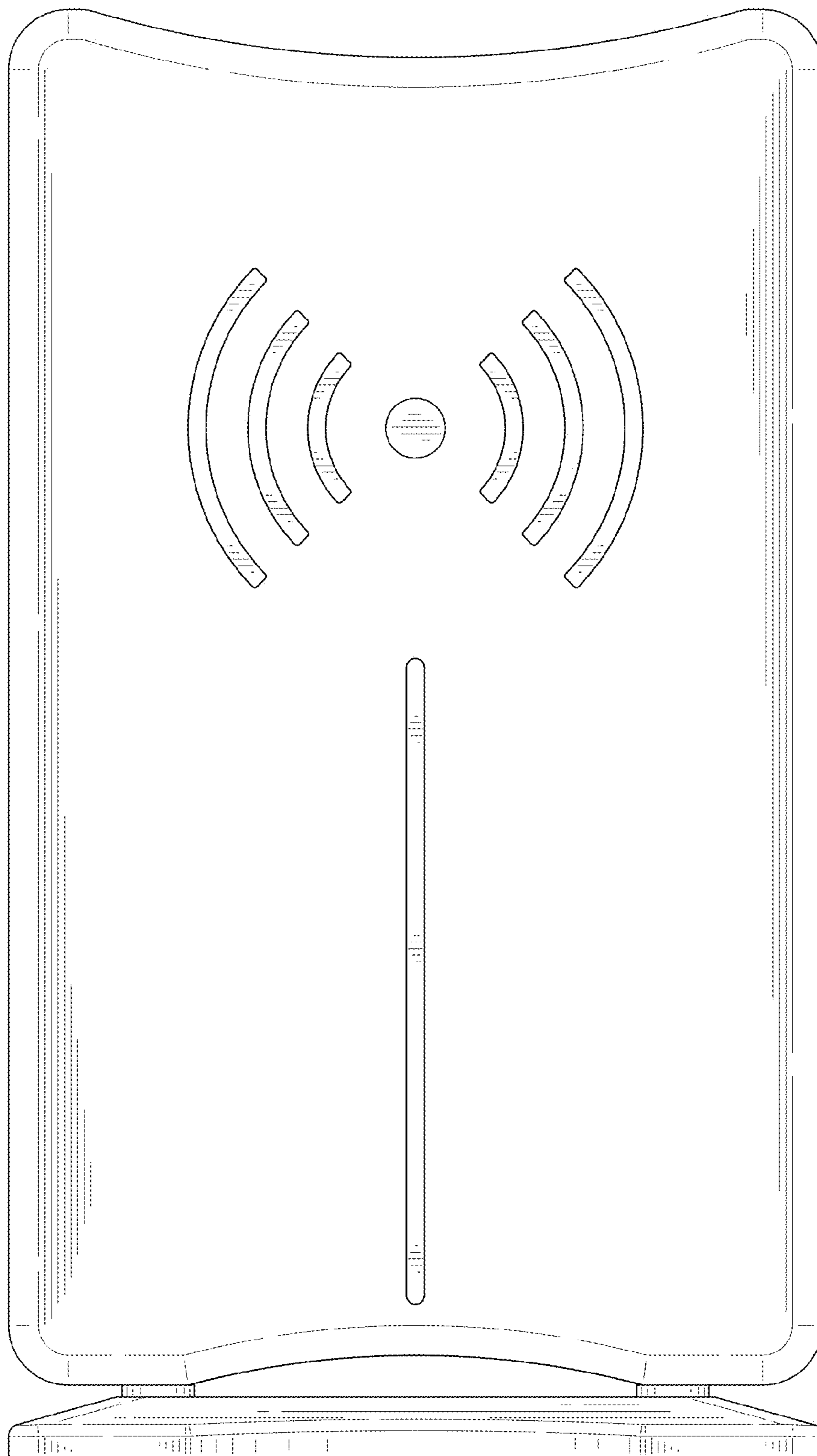


FIG. 3

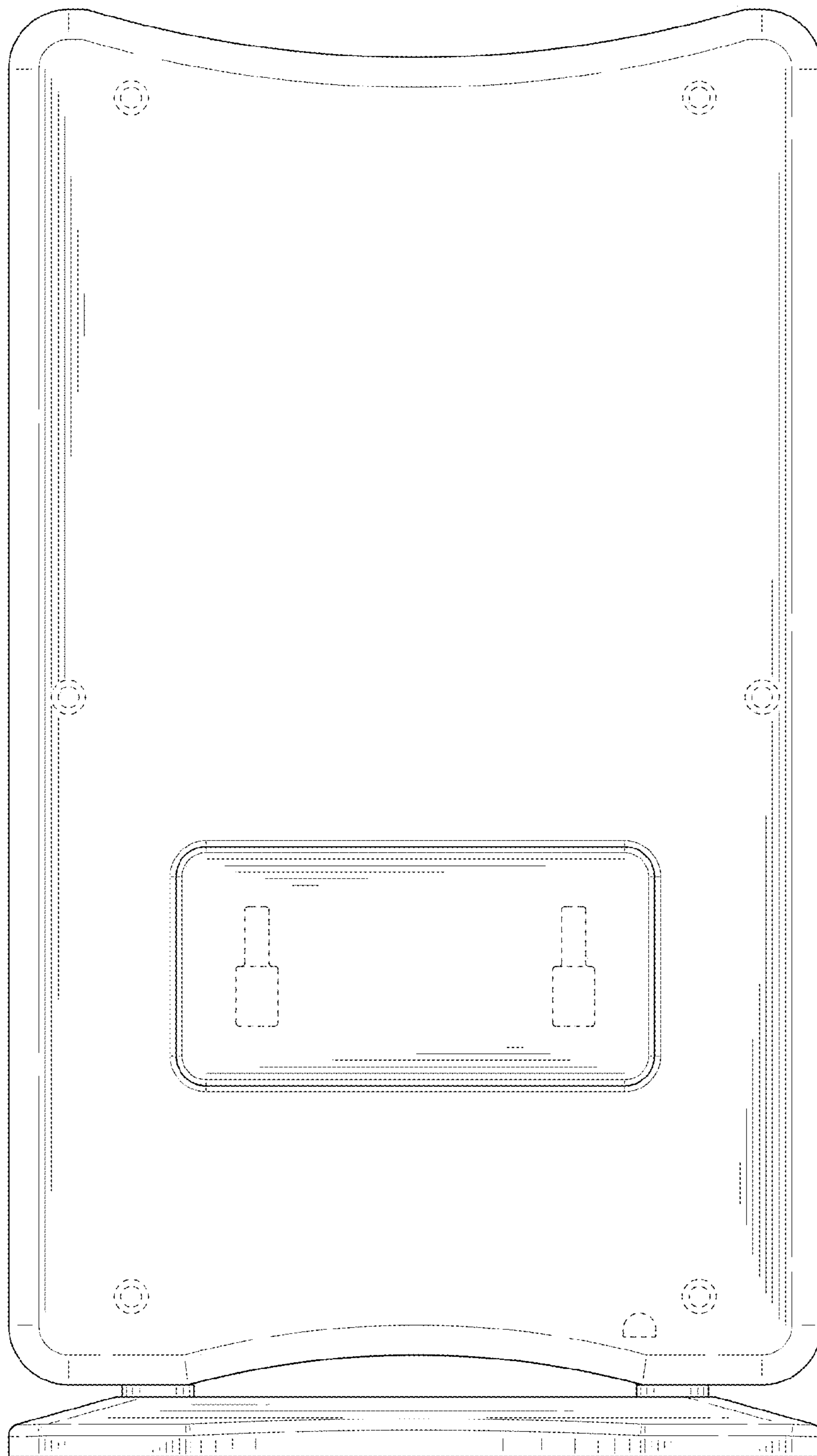


FIG. 4

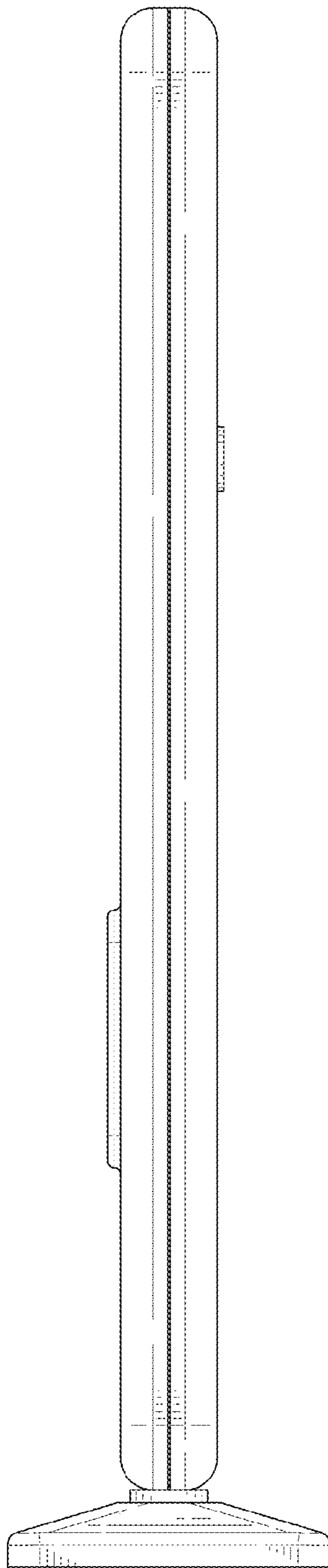


FIG. 5

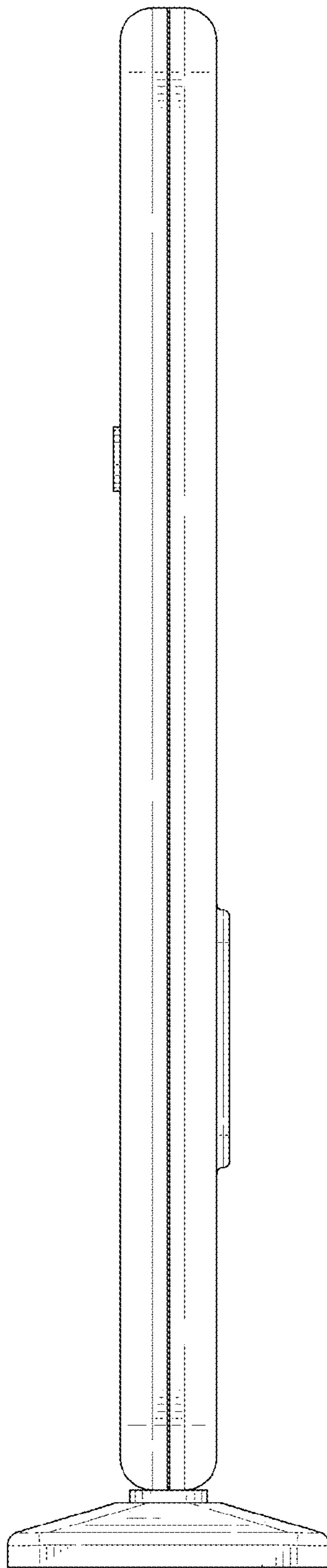


FIG. 6

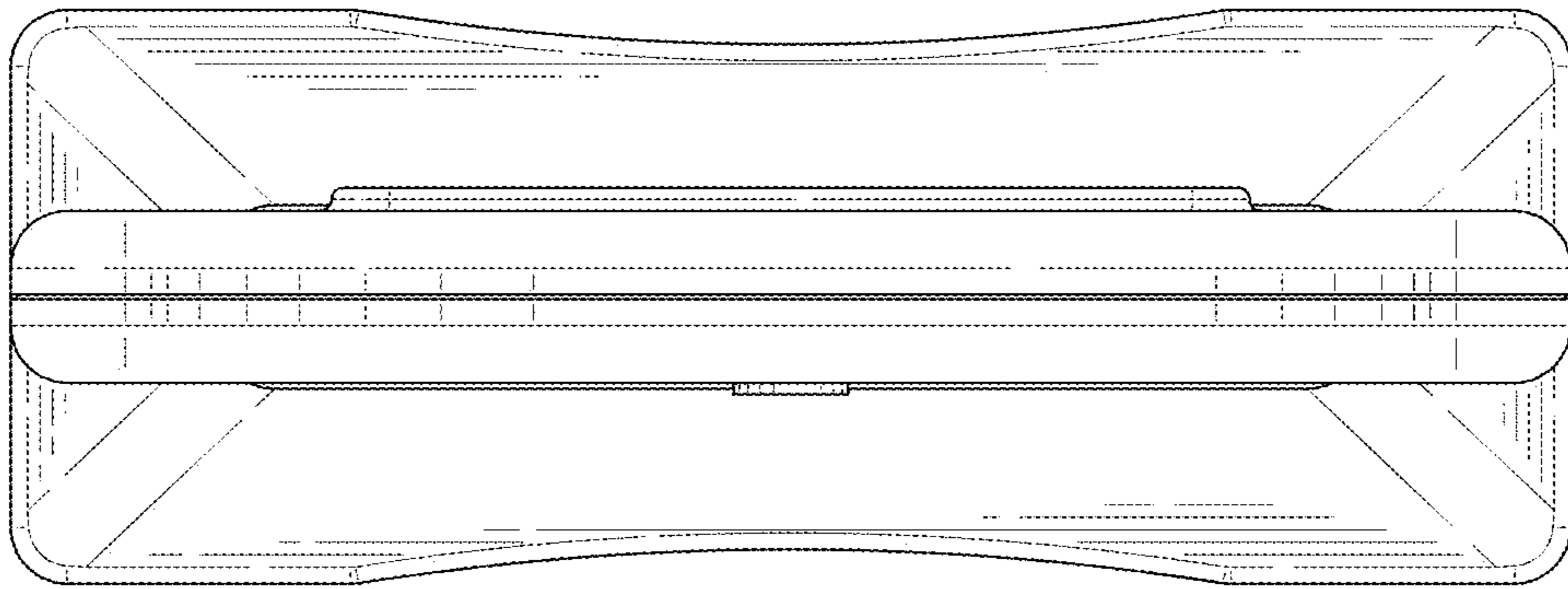


FIG. 7



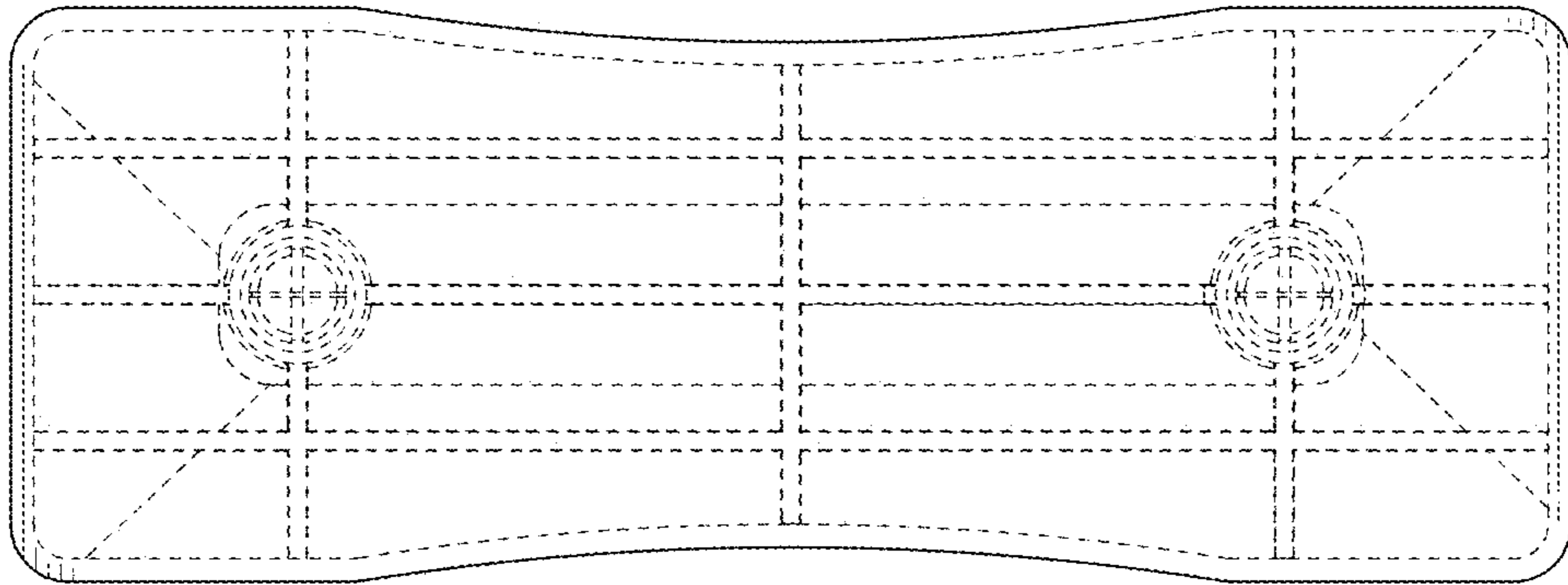


FIG. 8