



US00D920297S

(12) **United States Design Patent**
Forster et al.

(10) **Patent No.:** **US D920,297 S**

(45) **Date of Patent:** **** May 25, 2021**

(54) **RFID LABELS**

(71) Applicant: **AVERY DENNISON RETAIL INFORMATION SERVICES, LLC**, Mentor, OH (US)

(72) Inventors: **Ian Forster**, Chelmsford (GB);
Michael Lake, Pawe Paw, MI (US);
Brad Cumby, Liberty Township, OH (US)

(73) Assignee: **Avery Dennison Retail Information Services, LLC**, Mentor, OH (US)

(**) Term: **15 Years**

(21) Appl. No.: **29/685,898**

(22) Filed: **Apr. 1, 2019**

(51) **LOC (13) Cl.** **14-03**

(52) **U.S. Cl.**
USPC **D14/230; D20/22**

(58) **Field of Classification Search**
USPC D14/138, 230–238, 299, 358; D12/42,
D12/43; D20/22

CPC H01Q 7/00; H01Q 13/10; H01Q 9/285;
H01Q 19/30; H01Q 19/12; H01Q 1/38;
H01Q 1/36; H01Q 2/0027; H01Q 1/48;
H01Q 9/045; H01Q 1/243; H04B 1/0475;
H04B 1/034; H05K 11/00

See application file for complete search history.

(56) **References Cited**

U.S. PATENT DOCUMENTS

4,978,143 A * 12/1990 Ericson B42F 21/00
283/36
6,364,366 B1 * 4/2002 Schwartz B42F 21/04
283/101

D563,602 S * 3/2008 Armentrout D29/101.1
D611,545 S * 3/2010 Williams D20/28
7,934,751 B2 * 5/2011 Castillo B42F 21/02
283/37
D709,953 S * 7/2014 Williams D20/22
D853,481 S * 7/2019 Davis D19/1
D882,681 S * 4/2020 Sato D19/1
D884,070 S * 5/2020 Chandra D19/1
2008/0098636 A1 * 5/2008 Greer G09F 3/005
40/633

OTHER PUBLICATIONS

Michael RFID, Zebra, Silverline Slim M4i On-metal RFID Label Printing on “ZT410R Silverline” Printer, published Feb. 8, 2018, <https://www.youtube.com/watch?v=PQsUddtU0bQ>.
Amazon Japan LLC, Alien Technology, UHF RFID Sticker Levels H4 Squig ALN-9710-WRW 50 Sheets, Published Feb. 12, 2018, <https://www.amazon.co.jp/dp/B079SSCWGR/>.

* cited by examiner

Primary Examiner — John Windmuller

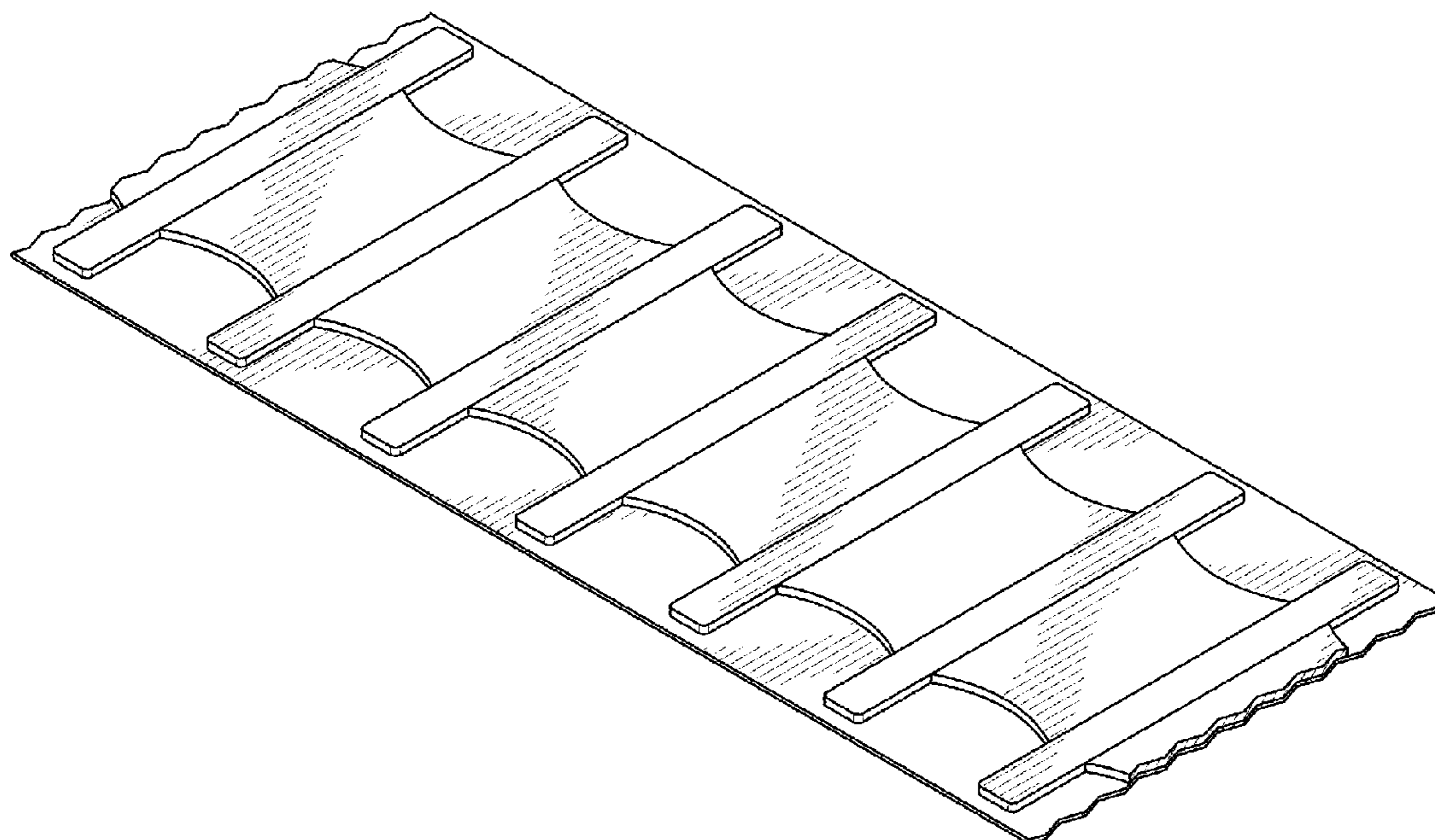
(57) **CLAIM**

The ornamental design for RFID labels, as shown and described.

DESCRIPTION

FIG. 1 is an isometric view of RFID labels, showing our design;
FIG. 2 is a front view thereof;
FIG. 3 is a back view thereof;
FIG. 4 is a left view thereof;
FIG. 5 is a right view thereof;
FIG. 6 is a top view thereof; and,
FIG. 7 is a bottom view thereof.

1 Claim, 5 Drawing Sheets



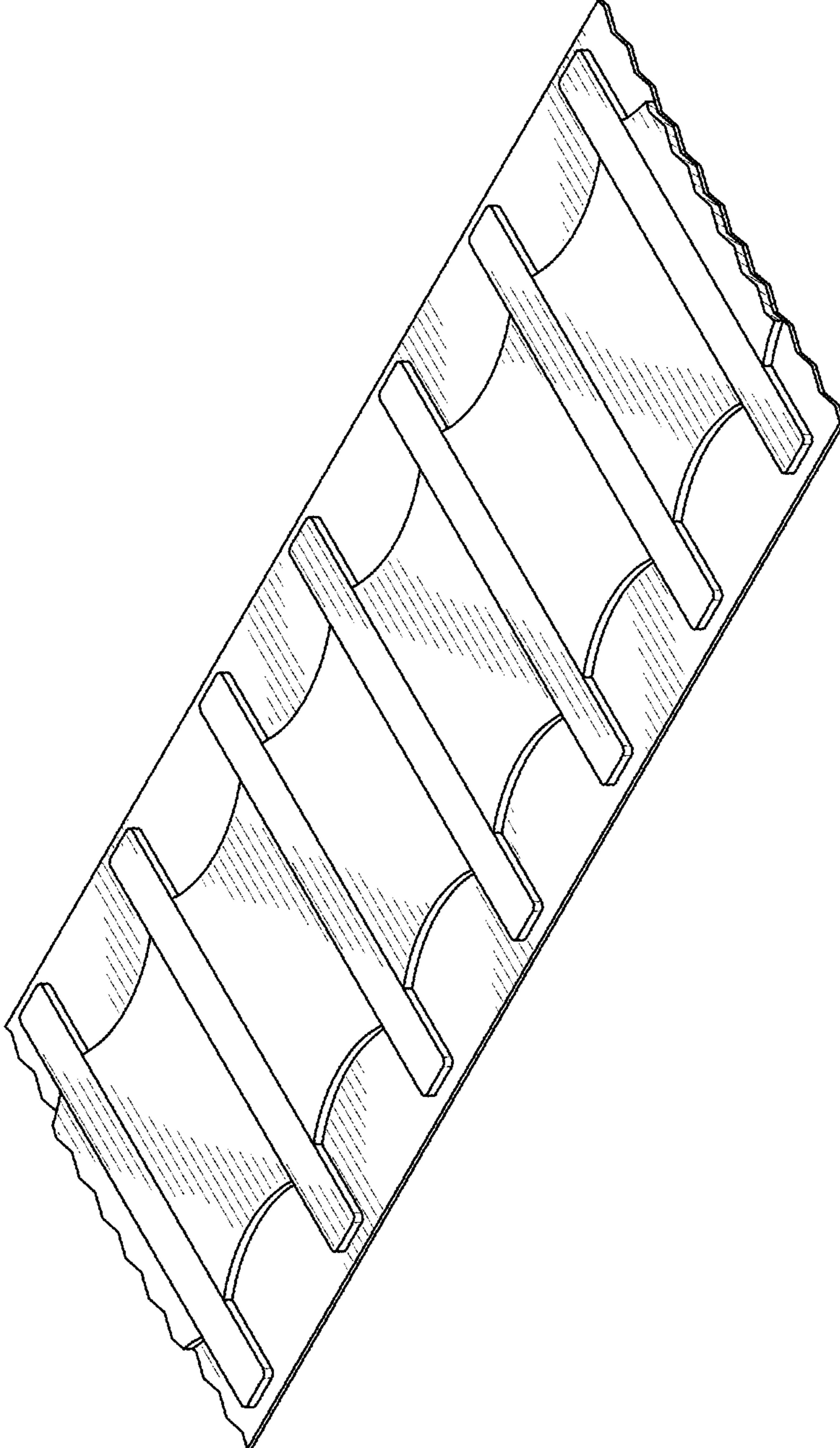


FIG. 1

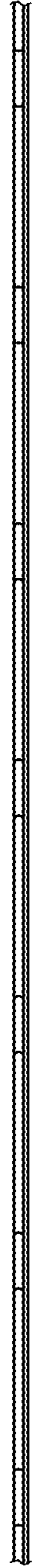


FIG. 2



FIG. 3

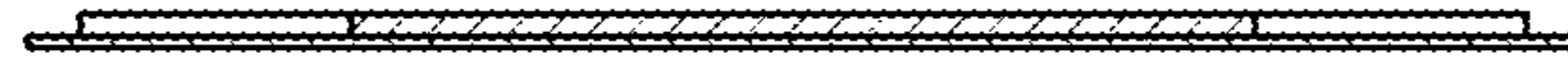


FIG. 4

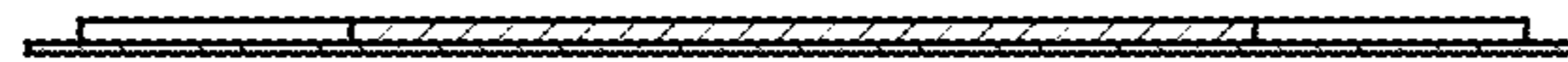


FIG. 5

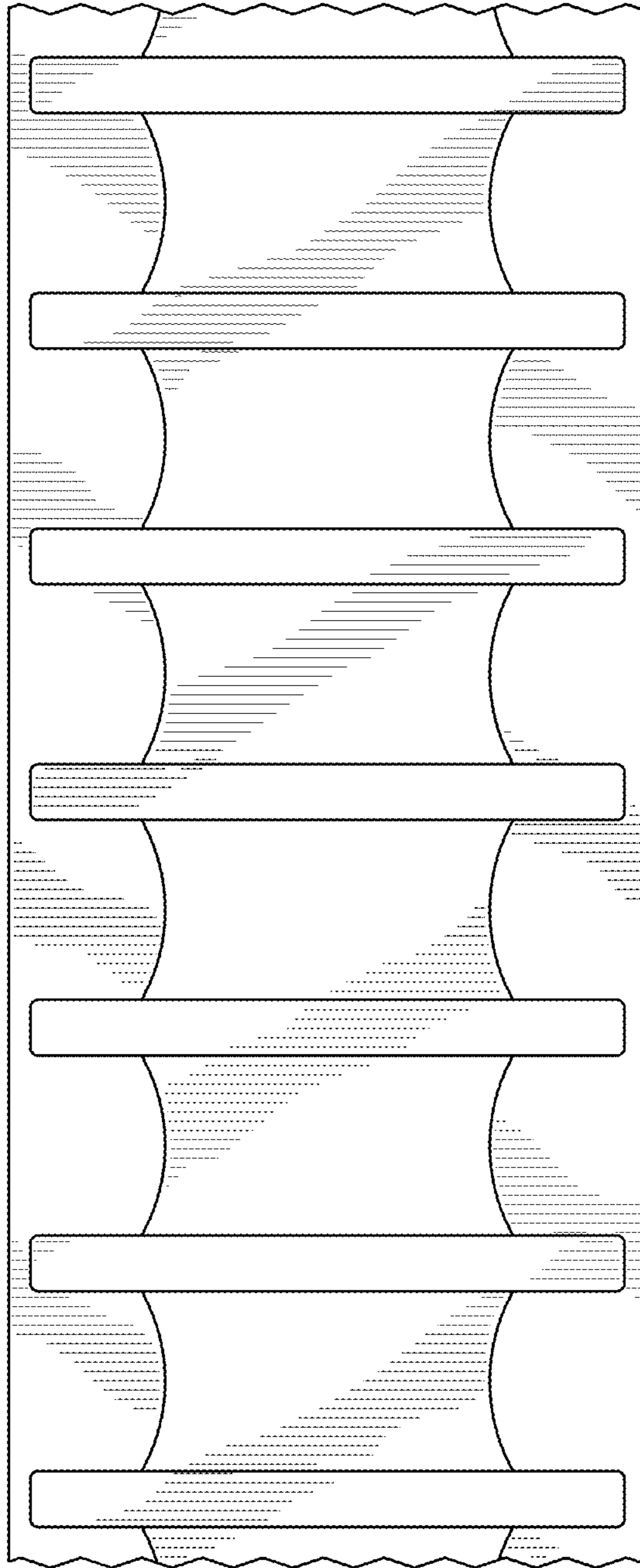


FIG. 6

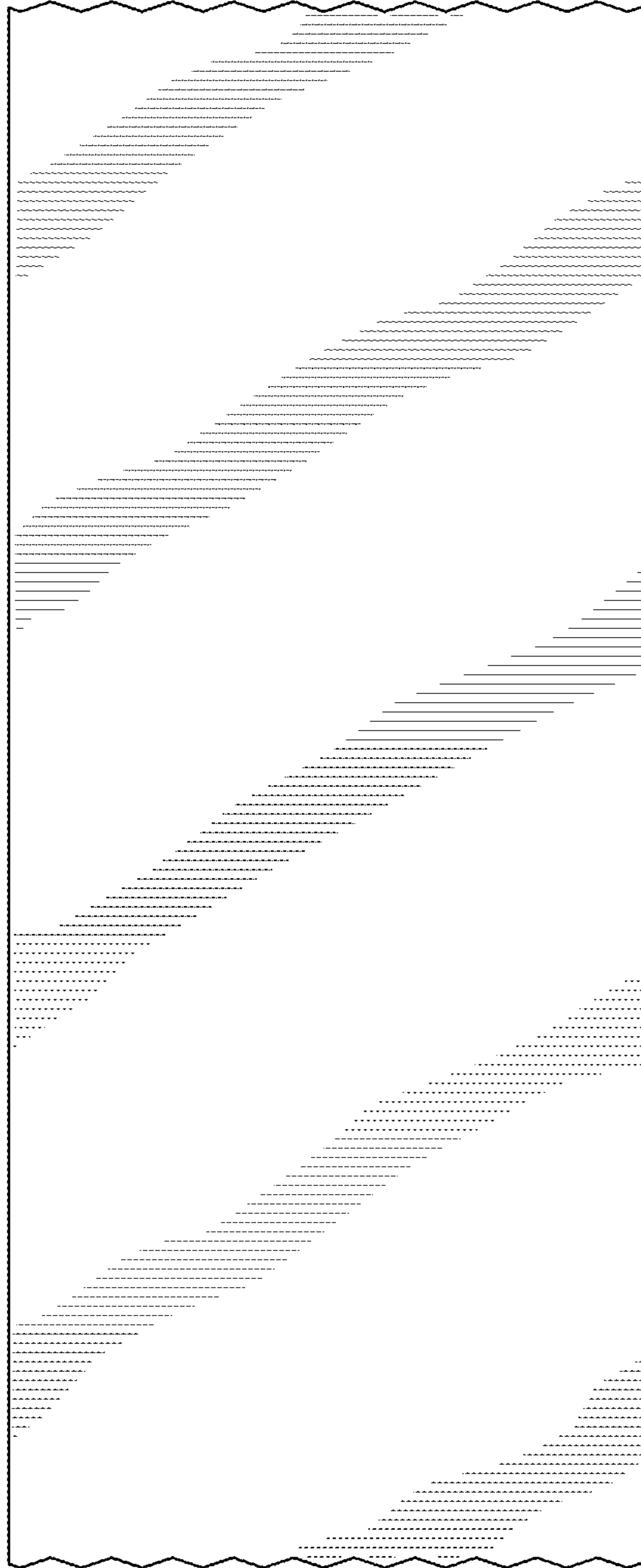


FIG. 7