



US00D920296S

(12) **United States Design Patent** (10) **Patent No.:** **US D920,296 S**
Perez et al. (45) **Date of Patent:** **** *May 25, 2021**

(54) **ANTENNA PEDESTAL**
(71) Applicant: **Sensormatic Electronics, LLC**, Boca Raton, FL (US)
(72) Inventors: **Sergio M. Perez**, Lake Worth, FL (US); **Kelvin Lee Hunter**, Lake Worth, FL (US)
(73) Assignee: **Sensormatic Electronics, LLC**, Boca Raton, FL (US)
(*) Notice: This patent is subject to a terminal disclaimer.
(**) Term: **15 Years**
(21) Appl. No.: **29/596,180**
(22) Filed: **Mar. 6, 2017**
(51) **LOC (13) Cl.** **14-03**
(52) **U.S. Cl.**
USPC **D14/230**
(58) **Field of Classification Search**
USPC D14/137, 138 R, 138 AA, 148, 155, 167, D14/168, 230-238, 240, 242, 265, 299, D14/343, 358; D10/106.6, 106.9
CPC H01Q 7/00; H01Q 13/10; H01Q 9/285; H01Q 19/30; H01Q 19/12; H01Q 1/38; H01Q 1/36; H01Q 1/0475; H01Q 1/034; H04B 1/0475; H04B 1/034; H05K 11/00
See application file for complete search history.

D471,181 S * 3/2003 Haberstick D14/230
D473,219 S * 4/2003 Raymond D14/230
D480,388 S * 10/2003 Spelman D14/230
D664,127 S * 7/2012 Yang D14/230
D678,794 S * 3/2013 Eckert D10/106.9
D715,260 S * 10/2014 Kim D14/213
D775,110 S * 12/2016 Tsen D14/230
D783,005 S * 4/2017 Perez D14/230
D786,837 S * 5/2017 Tsen D14/230
2016/0351034 A1 * 12/2016 Trivelpiece E05B 73/0047
2017/0221099 A1 * 8/2017 Fernandez H04W 4/70

* cited by examiner

Primary Examiner — Jeffrey D Asch
Assistant Examiner — Rebekah A Caruso
(74) *Attorney, Agent, or Firm* — Arent Fox LLP

(57) **CLAIM**

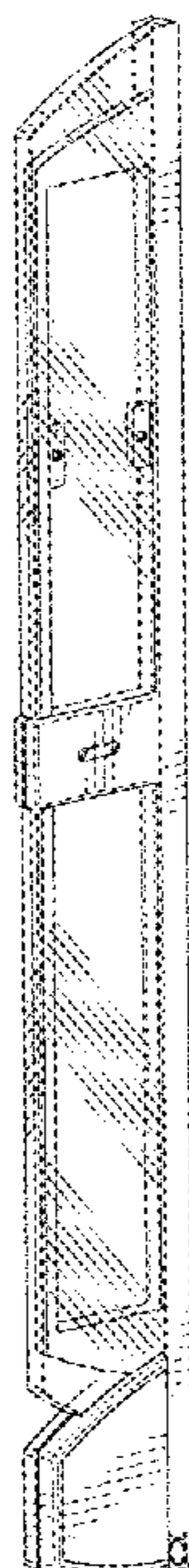
The ornamental design for an antenna pedestal, as shown and described.

DESCRIPTION

FIG. 1 is a perspective view taken from the front and left side showing the new design;
FIG. 2 is a left side elevation view thereof;
FIG. 3 is a right side elevation view thereof;
FIG. 4 is a front edge view thereof;
FIG. 5 is a top end view thereof;
FIG. 6 is a perspective view from the front and left thereof, showing the antenna pedestal attached to a support member; and,
FIG. 7 is a perspective view from the front and right thereof, showing the antenna pedestal attached to a support member. The broken lines in the drawings depict portions of the article that form no part of the claimed design. The broken line support member shown in FIGS. 6 and 7 represents environment that forms no part of the claimed design.

1 Claim, 5 Drawing Sheets

(56) **References Cited**
U.S. PATENT DOCUMENTS
D344,731 S * 3/1994 Witzky D14/204
D350,963 S * 9/1994 Witzky D14/230
D354,060 S * 1/1995 Witzky D14/230



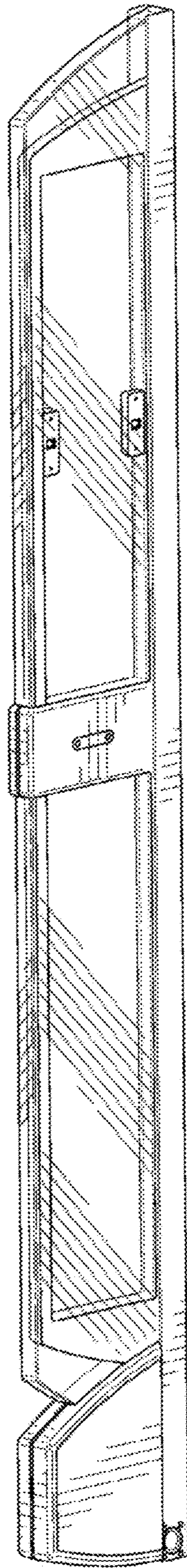


FIG. 1

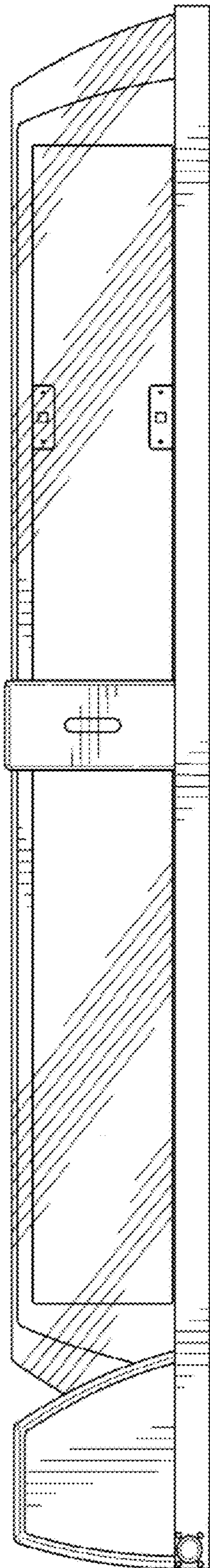


FIG. 2

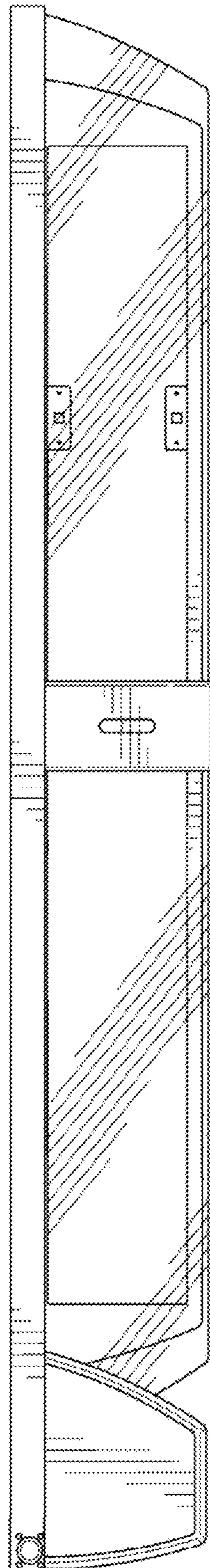


FIG. 3

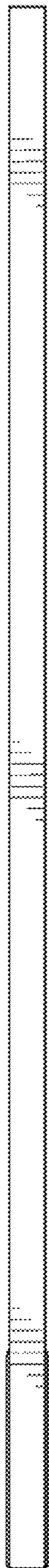


FIG. 4

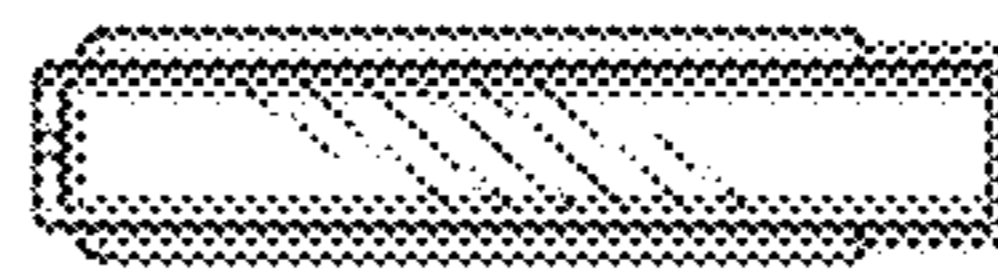


FIG. 5

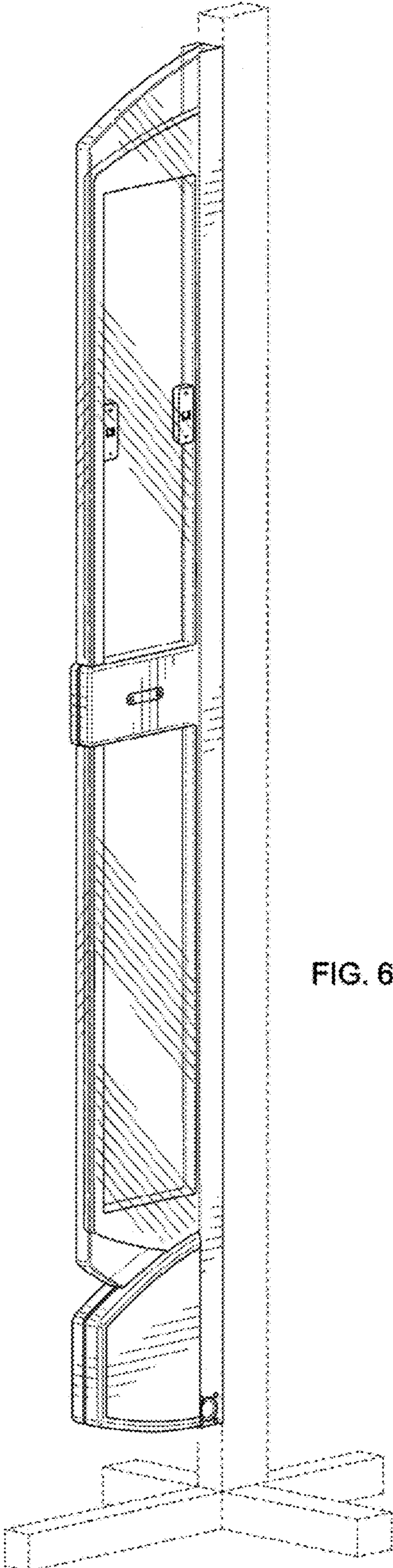


FIG. 6

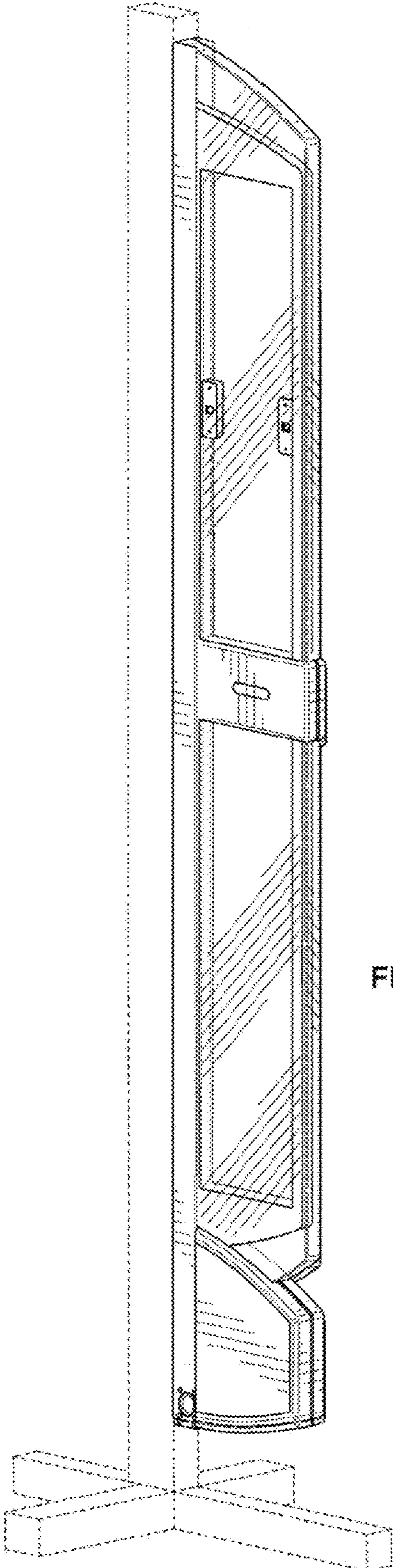


FIG. 7