



US00D920295S

(12) **United States Design Patent**
Mai

(10) **Patent No.:** **US D920,295 S**

(45) **Date of Patent:** **** May 25, 2021**

(54) **MICROPHONE**

(71) Applicant: **SHENZHEN XUNWEIJIA TECHNOLOGY DEVELOPMENT CO., LTD.**, Shenzhen (CN)

(72) Inventor: **Qibin Mai**, Shenzhen (CN)

(73) Assignee: **SHENZHEN XUNWEIJIA TECHNOLOGY DEVELOPMENT CO., LTD.**, Shenzhen (CN)

(**) Term: **15 Years**

(21) Appl. No.: **29/697,249**

(22) Filed: **Jul. 5, 2019**

(51) **LOC (13) Cl.** **14-01**

(52) **U.S. Cl.**
USPC **D14/227**

(58) **Field of Classification Search**
USPC D14/221, 224, 225, 226, 227, 228, 229,
D14/150, 154, 155, 158, 160, 172
CPC H04R 19/04; H04R 19/00; H04R 1/406;
H04R 1/08; H04R 1/04; H04R 1/326;
H04R 29/004; H04R 2410/00; H04R
2410/01; H04R 2410/03; H04R 2410/05;
H04R 2410/07; H04R 2420/07; H04R
17/02

See application file for complete search history.

(56) **References Cited**

U.S. PATENT DOCUMENTS

D881,852 S *	4/2020	Chen	D14/227
D884,685 S *	5/2020	Chen	D14/227
D890,140 S *	7/2020	Mai	D14/227
D890,730 S *	7/2020	Lu	D14/227
D890,731 S *	7/2020	Lu	D14/227
2004/0090776 A1 *	5/2004	Yang	F21V 21/32 362/189
2008/0013758 A1 *	1/2008	Tsai	H04R 1/406 381/122

FOREIGN PATENT DOCUMENTS

CH	669295 A5 *	2/1989	H04R 1/08
JP	09168110 A *	6/1997		
JP	11341576 A *	12/1999		

OTHER PUBLICATIONS

Fifine micro mic Wholesale Desktop Mini Usb Gooseneck Microphone, announced Nov. 5, 2019 [online], retrieved Aug. 27, 2020, retrieved from internet, https://www.alibaba.com/product-detail/Fifine-micro-mic-Wholesale-Desktop-Mini_62348661685.html?spm=a2700.pc_countrysearch.main07.1.4e9771ecK0Fc5w.*

(Continued)

Primary Examiner — Dana K Weiland

Assistant Examiner — Messina L Smith

(74) *Attorney, Agent, or Firm* — Law Offices of Steven W. Weinrieb

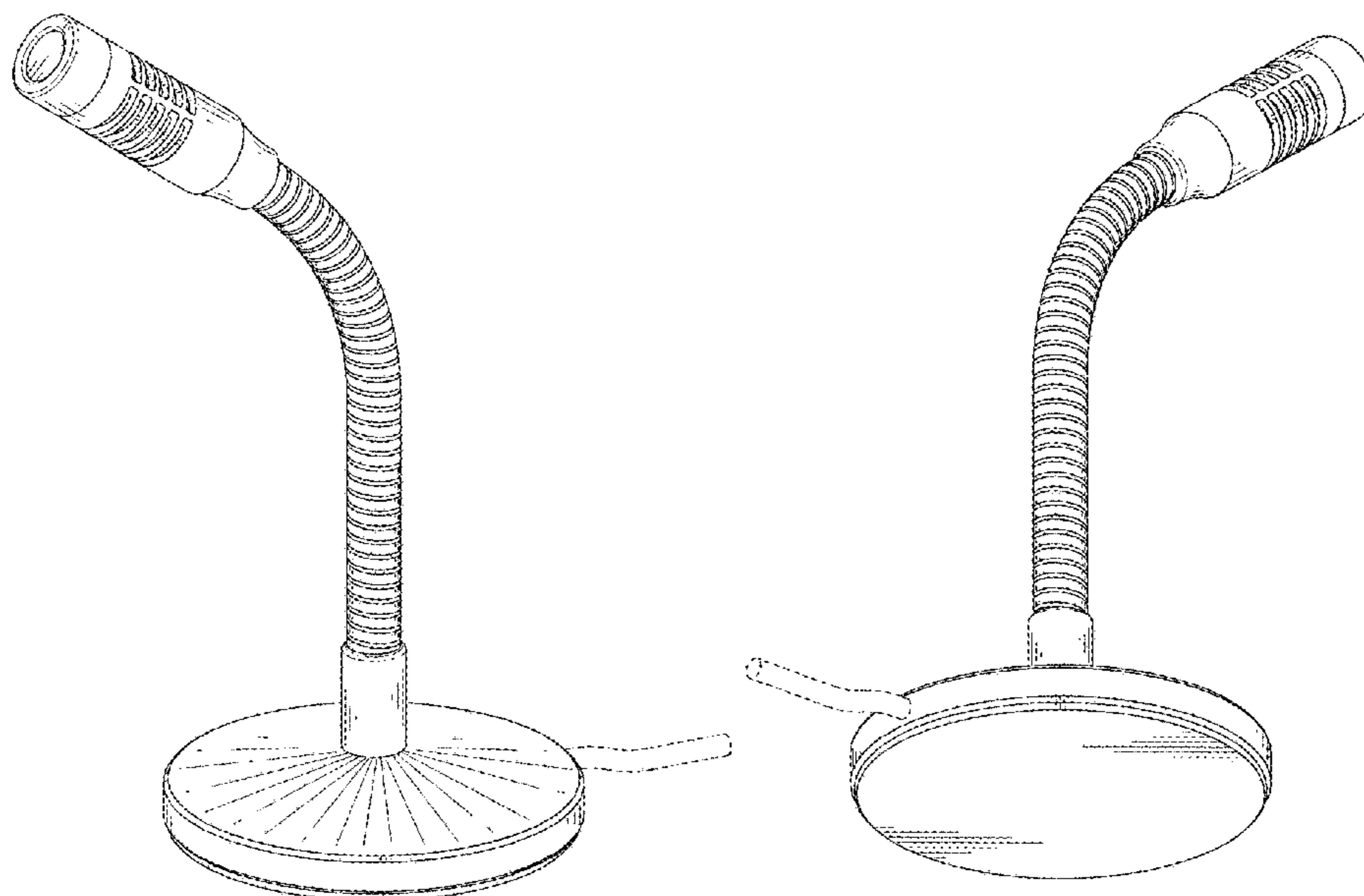
(57) **CLAIM**

The ornamental design for a microphone, as shown and described.

DESCRIPTION

FIG. 1 is a front, right side, top perspective view of a microphone showing my new design; FIG. 2 is a rear, left side, bottom perspective view thereof; FIG. 3 is a front elevational view thereof; FIG. 4 is a rear elevational view thereof; FIG. 5 is a left side elevational view thereof; FIG. 6 is a right side elevational view thereof; FIG. 7 is a top plan view thereof; and, FIG. 8 is a bottom plan view thereof. The broken lines depict portions of the microphone that form no part of the claimed design.

1 Claim, 8 Drawing Sheets



(56)

References Cited

OTHER PUBLICATIONS

USB Wired Condenser Desktop Microphone with Flexible Stand, announced © 1998-2020 retrieved Aug. 27, 2020, retrieved from internet, <https://speakerfactory.en.made-in-china.com/product/rdkmsRiAbpcN/China-USB-Wired-Condenser-Desktop-Microphone-with-Flexible-Stand-Studio-Speech-Recording-Mic-for-Computer-Laptop-Note>.*

FIFINE Mini Gooseneck USB Microphone for Dictation and Recording, announced Jun. 23, 2019 [online], retrieved Aug. 28, 2020, retrieved from internet, https://www.amazon.com/FIFINE-Gooseneck-Microphone-Recognition-Instructional-K050P/dp/B07TD3Q19F?ref_=ast_sto_dp&th=1.*

* cited by examiner

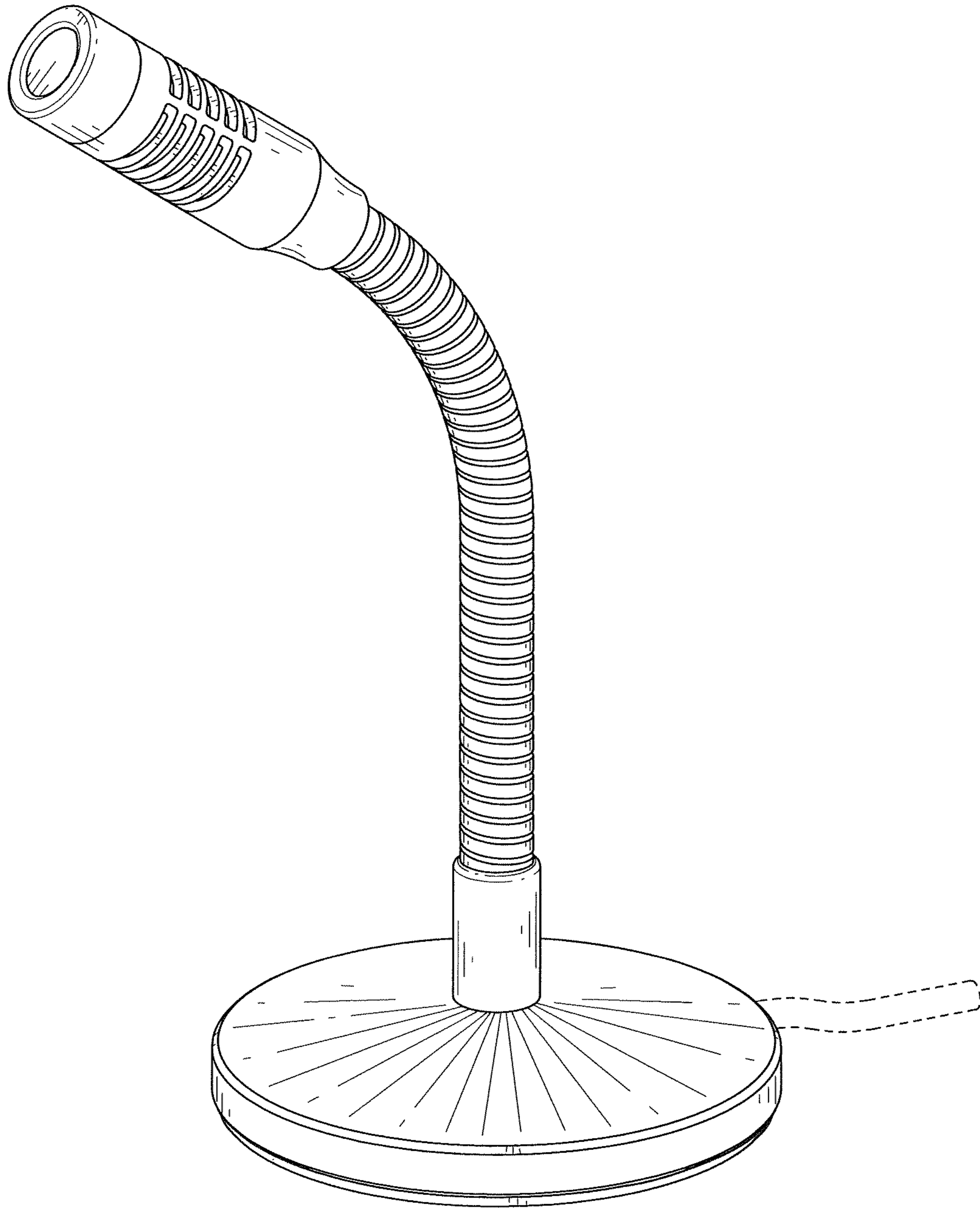


FIG. 1

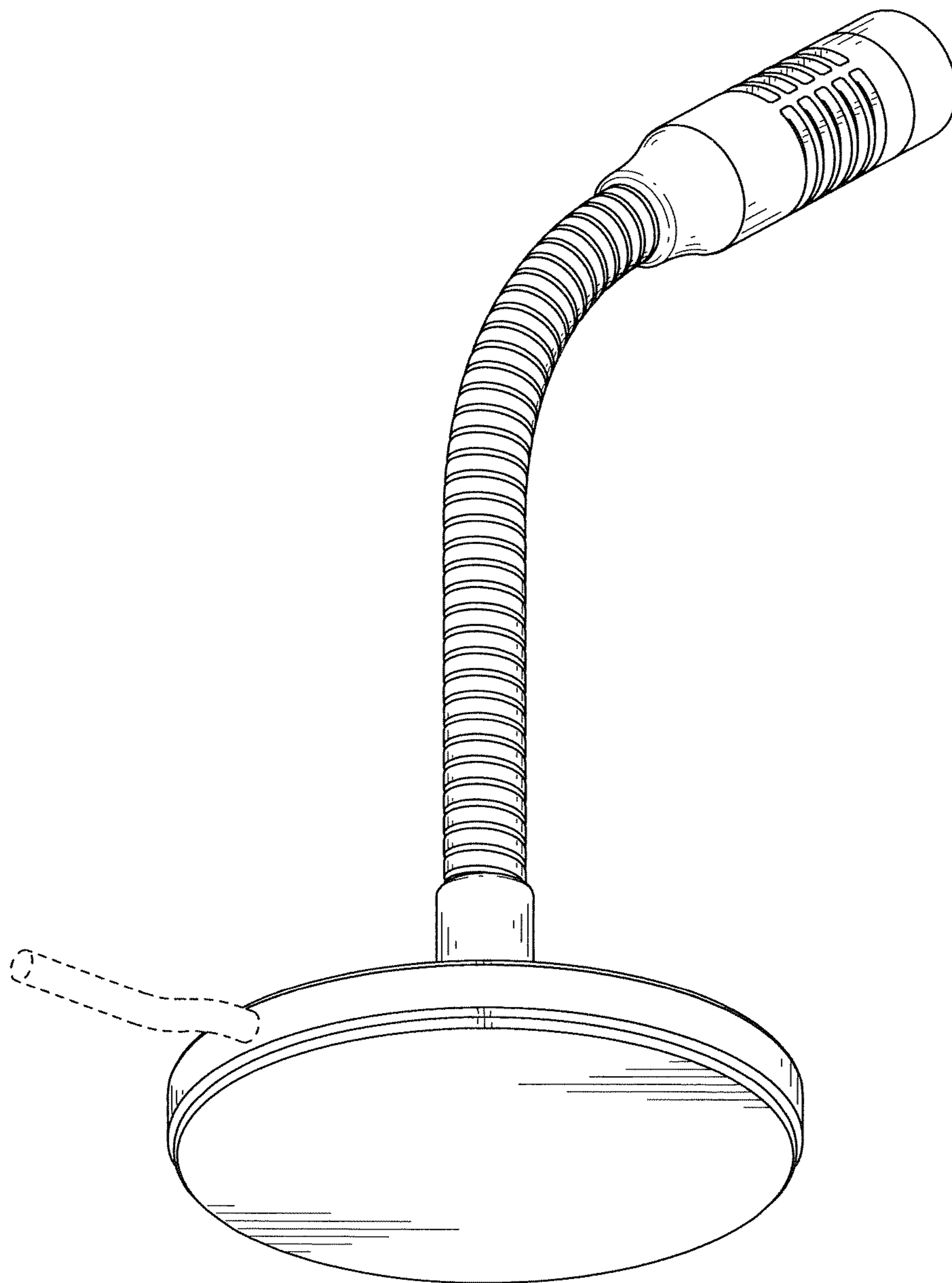


FIG. 2

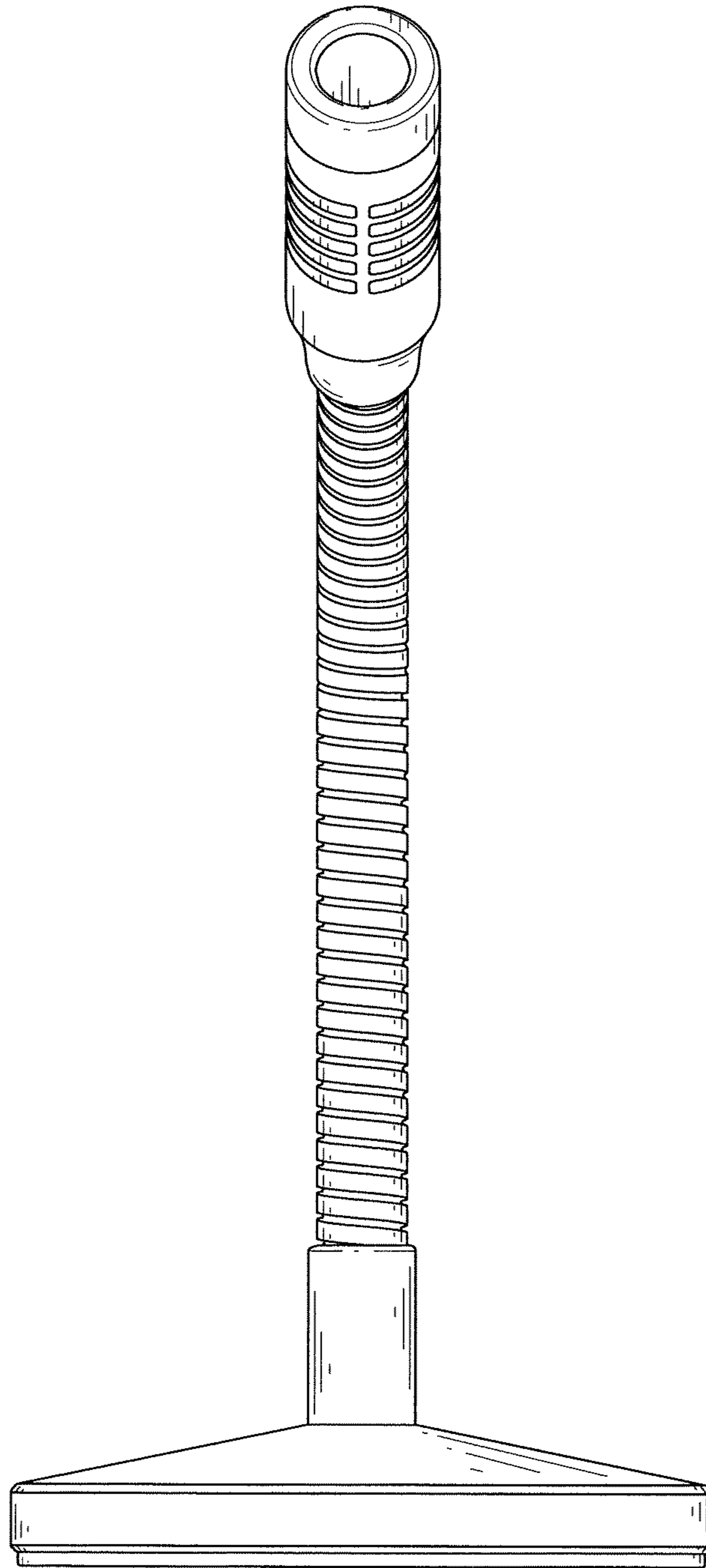


FIG. 3

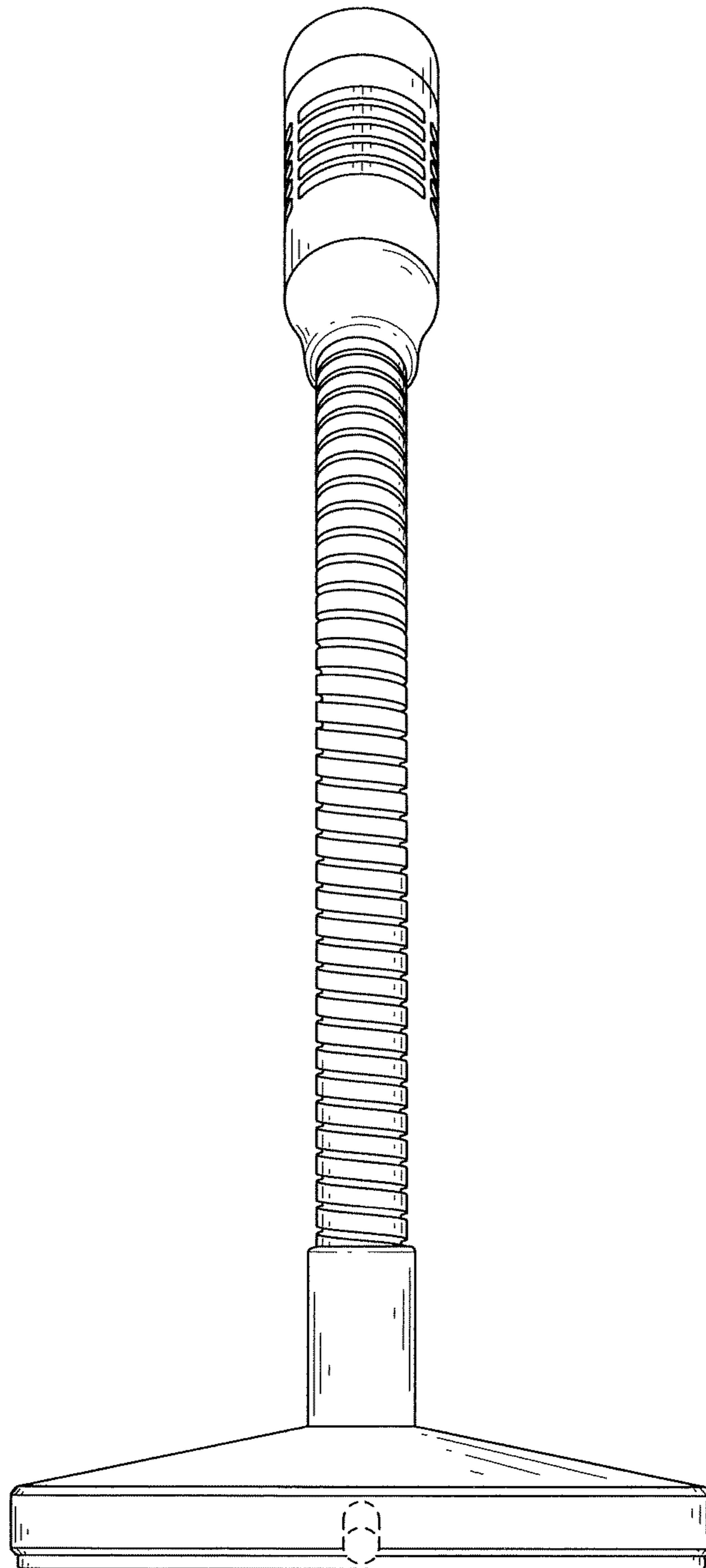


FIG. 4

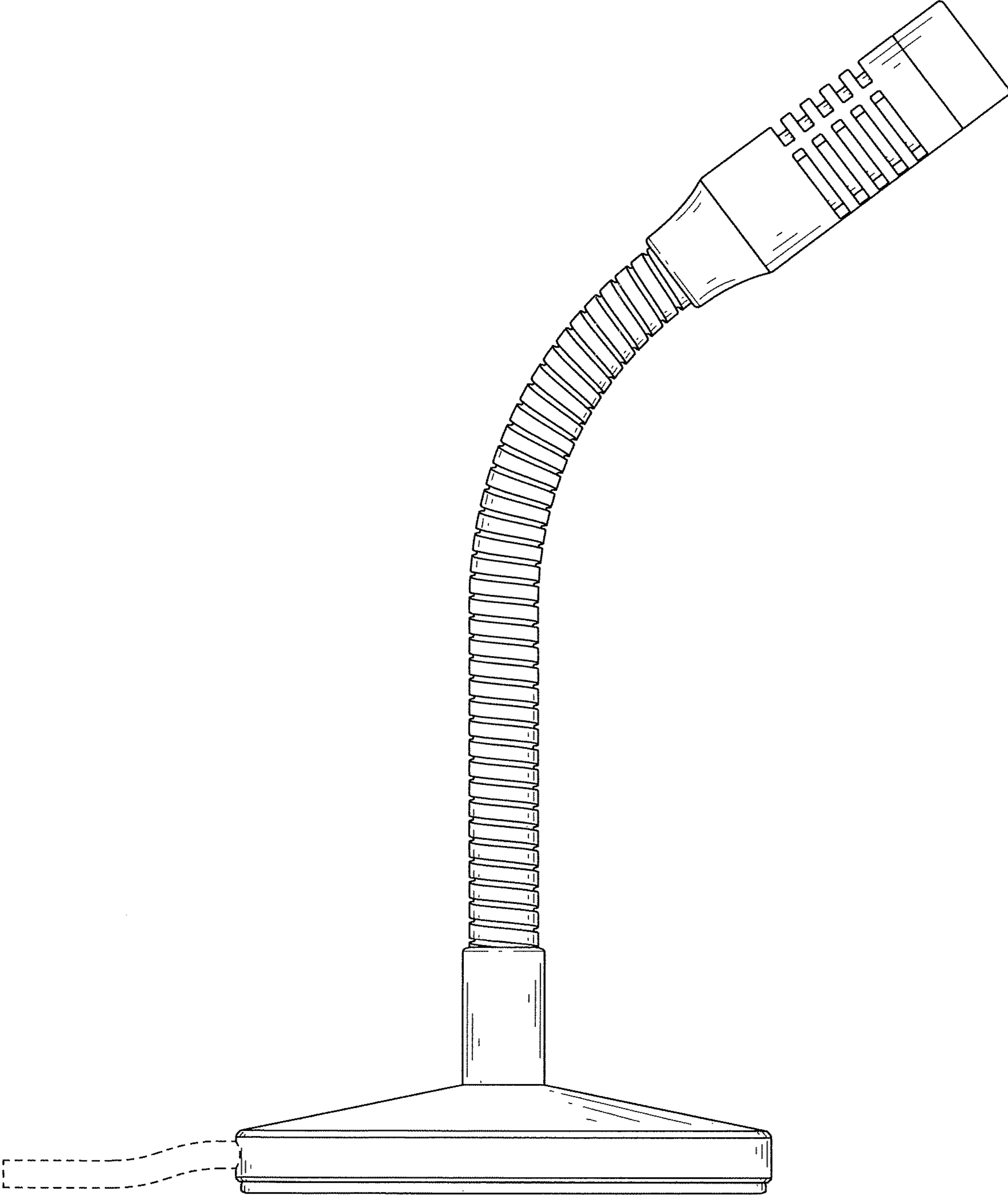


FIG. 5

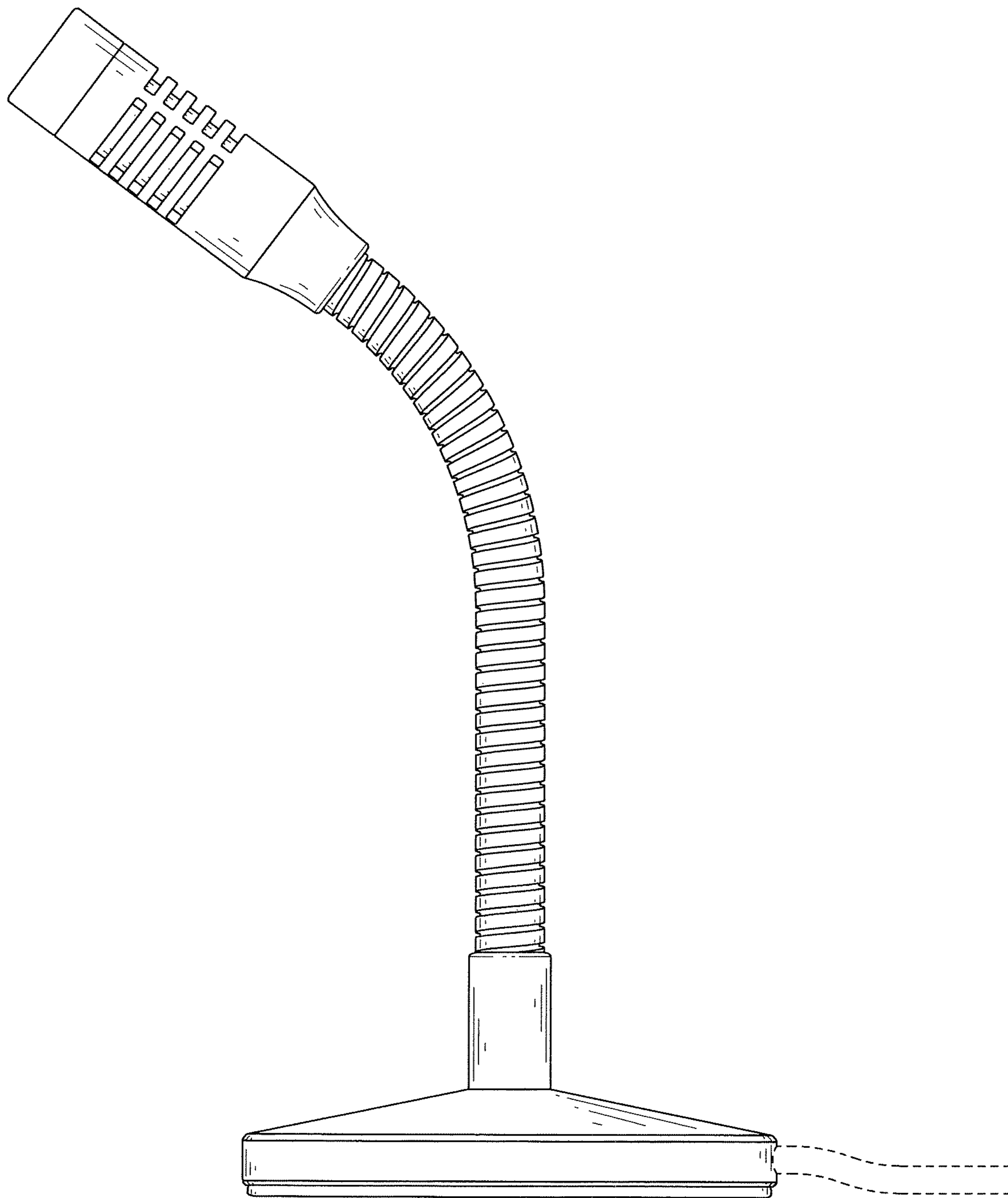


FIG. 6

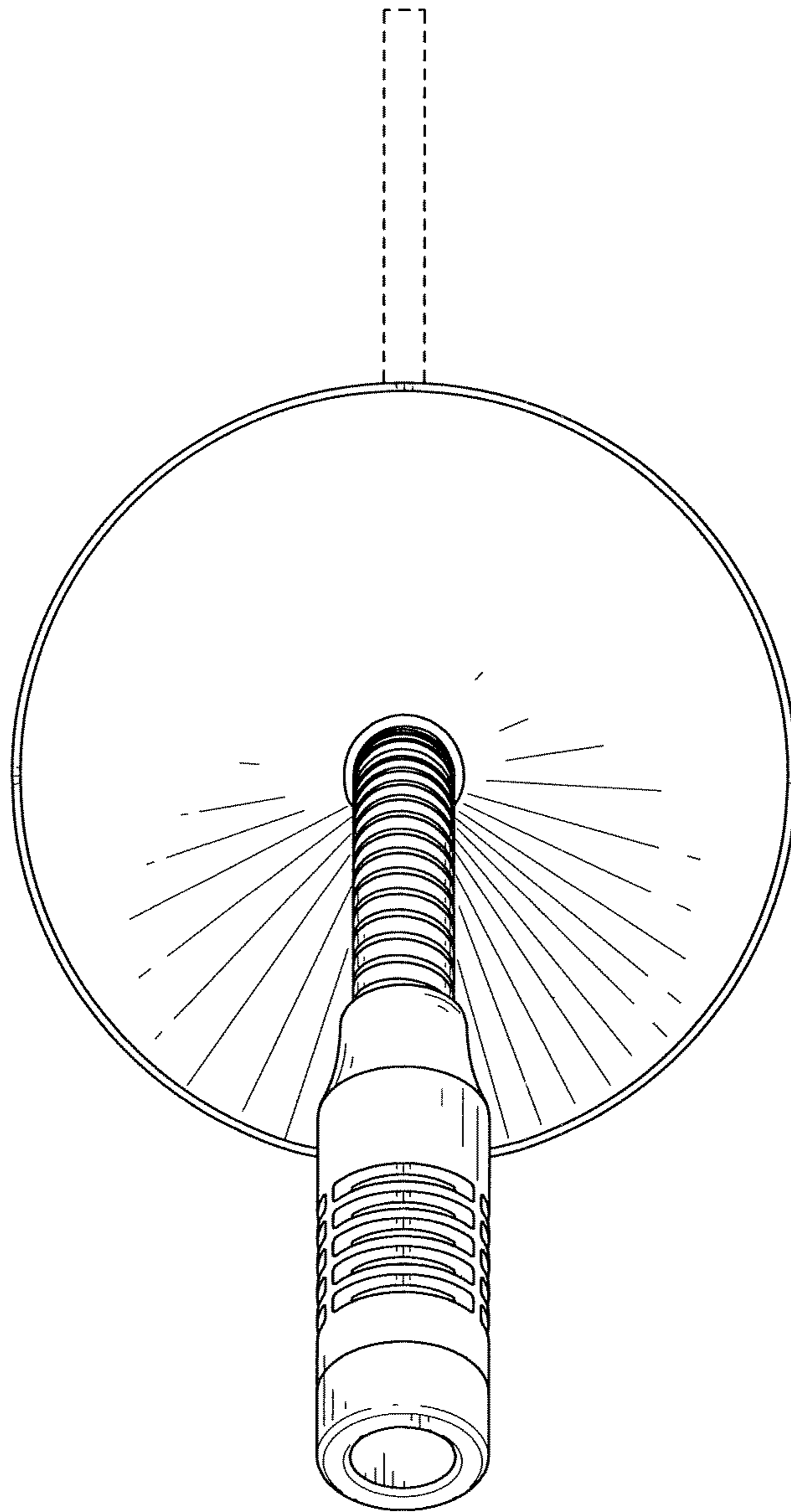


FIG. 7

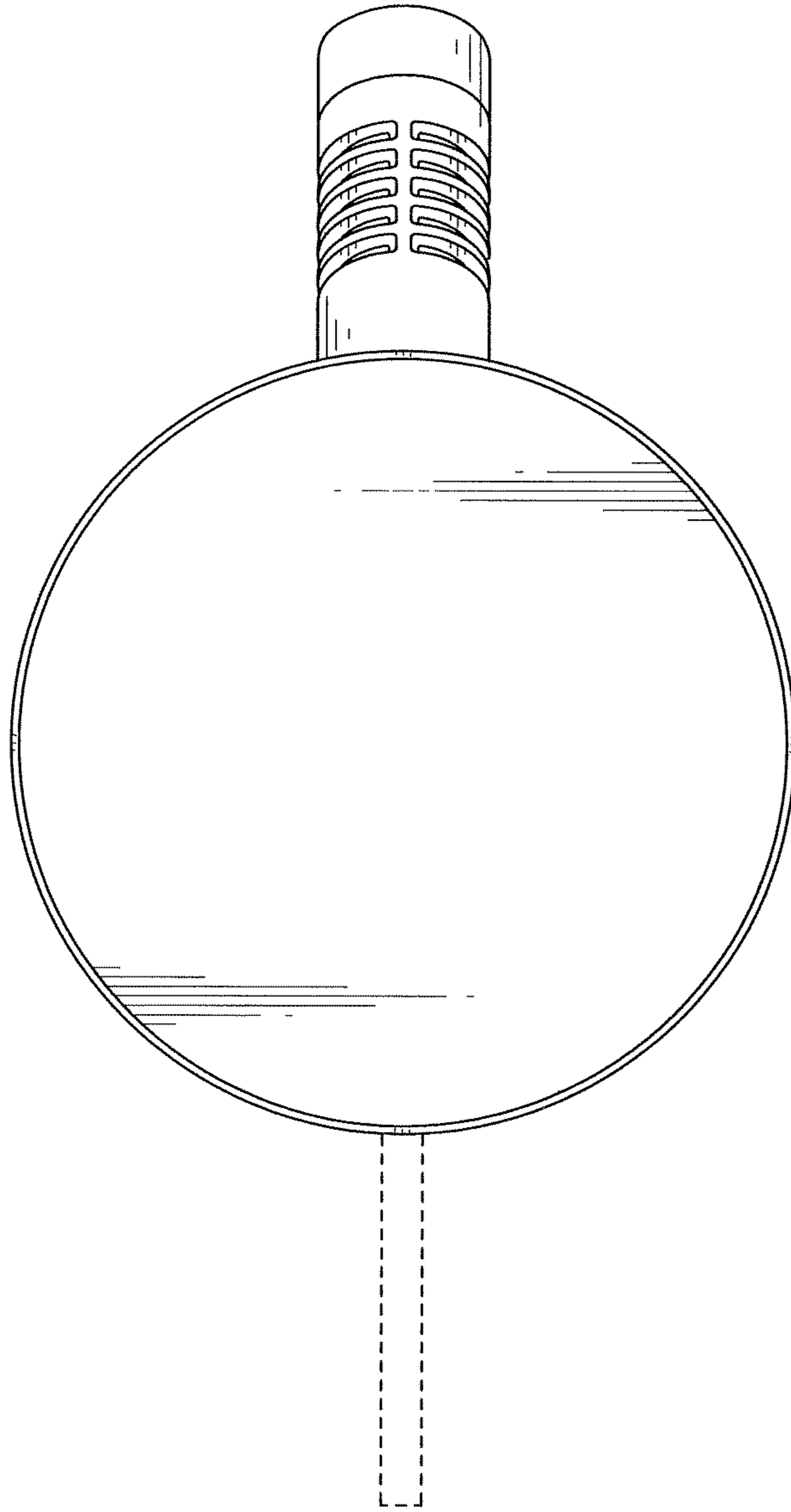


FIG. 8