



US00D920294S

(12) **United States Design Patent**
Robertson

(10) **Patent No.:** **US D920,294 S**

(45) **Date of Patent:** **** May 25, 2021**

(54) **SANITIZABLE SECURITY SLEEVE**

(71) Applicant: **Hawaii Pacific Health**, Honolulu, HI (US)

(72) Inventor: **Steven Eugene Robertson**, Honolulu, HI (US)

(73) Assignee: **Hawaii Pacific Health**, Honolulu, HI (US)

(**) Term: **15 Years**

(21) Appl. No.: **29/725,184**

(22) Filed: **Feb. 23, 2020**

Related U.S. Application Data

(63) Continuation-in-part of application No. 29/679,967, filed on Feb. 12, 2019.

(51) **LOC (13) Cl.** **14-01**

(52) **U.S. Cl.**
USPC **D14/224; D14/217**

(58) **Field of Classification Search**
USPC ... D14/217, 224, 209, 209.1, 239, 447, 434, D14/496, 216, 253, 224.1; D13/108;
(Continued)

(56) **References Cited**

U.S. PATENT DOCUMENTS

1,922,935 A * 8/1933 Du Bois A47B 96/062
248/220.1
2,738,225 A * 3/1956 Meek A61L 9/12
239/55

(Continued)

OTHER PUBLICATIONS

Echo Wall Mounts and Sleeves on Amazon, from search performed on Amazon.com on Jan. 25, 2019.

Primary Examiner — Paula Allen Greene

(74) *Attorney, Agent, or Firm* — Seth M. Reiss

(57) **CLAIM**

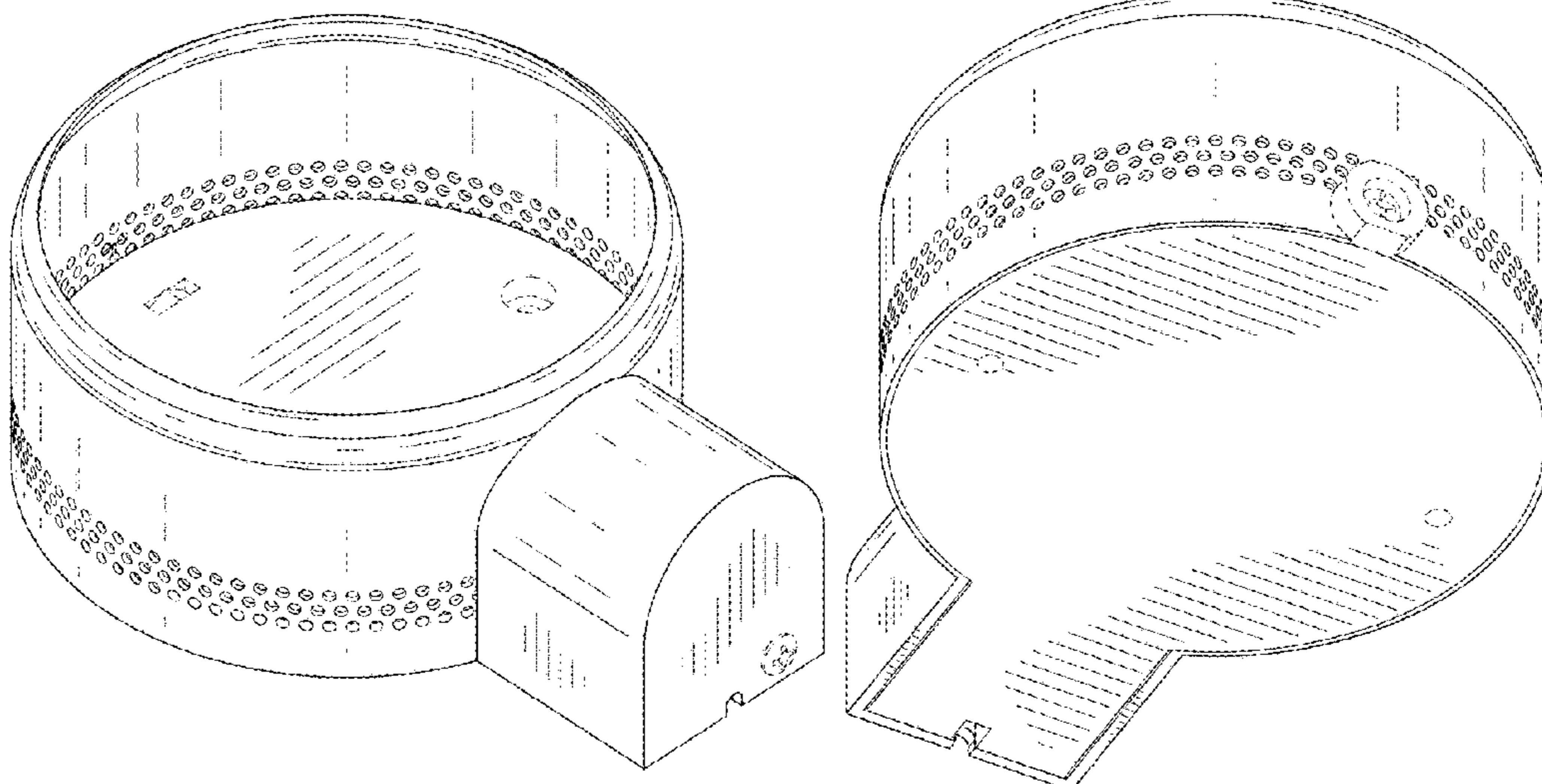
I claim the ornamental design for a sanitizable security sleeve, as shown and described.

DESCRIPTION

FIG. 1 is a perspective view of the sanitizable security sleeve showing my new design;
FIG. 2 is a bottom perspective view thereof;
FIG. 3 is a top plan view of the assembled sanitizable security sleeve;
FIG. 4 is a bottom plan view of the assembled sanitizable security sleeve;
FIG. 5 is a left side view of the assembled sanitizable security sleeve;
FIG. 6 is a right side view of the assembled sanitizable security sleeve;
FIG. 7 is a rear view of the assembled sanitizable security sleeve;
FIG. 8 is a front view of the assembled sanitizable security sleeve;
FIG. 9 is a disassembled perspective view shown separately for purposes of illustration;
FIG. 10 is a disassembled bottom perspective view thereof;
FIG. 11 is a disassembled top plan view thereof;
FIG. 12 is a disassembled bottom plan view thereof;
FIG. 13 is a disassembled left side view thereof;
FIG. 14 is a disassembled right side view thereof;
FIG. 15 is a disassembled rear view thereof;
FIG. 16 is a disassembled front view thereof;
FIG. 17 is a perspective view of the sanitizable security sleeve, assembled, mounted on a wall and enclosing an electronic device; and,
FIG. 18 is a side view of the sanitizable security sleeve, assembled, mounted on a wall and enclosing an electronic device.

The broken lines shown in the figures are directed to environment and form no part of the claimed design.

1 Claim, 12 Drawing Sheets



US D920,294 S

(58) **Field of Classification Search**
 USPC D16/219; 320/110, 113; 439/534;
 379/420.01–420.04; 455/90.3, 575.1,
 455/569.1; 248/311.2, 220.22; 220/737;
 224/926
 CPC H02J 7/00; H04R 5/02; H04R 1/20; H04R
 9/06; H04R 1/24; H04R 7/18; H04R
 1/40; H04R 1/406
 See application file for complete search history.

(56) **References Cited**

U.S. PATENT DOCUMENTS

2,963,256 A * 12/1960 Borah A47G 23/0225
 248/346.04
 D219,985 S * 2/1971 Ray D13/108
 3,698,675 A * 10/1972 Lerew A47K 1/09
 248/311.2
 4,721,216 A * 1/1988 Kinder A47G 23/0216
 215/393
 D300,214 S * 3/1989 Adams D13/108
 D322,061 S * 12/1991 Watanabe D13/108
 5,133,428 A * 7/1992 Perrson B60R 11/0217
 181/153
 D334,170 S * 3/1993 Rams D13/108
 D335,599 S * 5/1993 Novak D6/526
 D345,897 S * 4/1994 Vitez D7/608
 5,326,064 A * 7/1994 Sapien B60N 3/10
 224/926
 D354,171 S * 1/1995 Schmidt D6/300
 D358,801 S * 5/1995 Vos D13/108
 5,730,409 A * 3/1998 Baron F16M 11/126
 248/288.11
 D411,166 S * 6/1999 Uemura D13/107
 D420,974 S * 2/2000 Minagawa D13/108
 D446,785 S * 8/2001 Ohta D14/216
 D455,397 S * 4/2002 Weiner D13/108
 6,484,983 B1 * 11/2002 Combest A47B 81/002
 248/220.1
 D471,578 S * 3/2003 Okuley D13/108
 D488,253 S * 4/2004 Chen D26/128
 6,845,840 B2 * 1/2005 Cowan F16M 13/02
 181/150
 D512,047 S * 11/2005 Wright D14/215

D521,983 S * 5/2006 Kuo D14/216
 D562,805 S * 2/2008 Tokuno D14/216
 D584,075 S * 1/2009 Hung D14/239
 D607,437 S * 1/2010 Kamo D14/216
 D645,047 S * 9/2011 Wike D14/447
 8,109,486 B2 * 2/2012 Gong G06F 1/1656
 248/615
 D677,503 S * 3/2013 Floyd D6/526
 D722,292 S * 2/2015 De Klein D13/108
 D728,576 S * 5/2015 David D14/434
 D736,210 S * 8/2015 Paradise D14/434
 D737,762 S * 9/2015 Aumiller D13/108
 D744,321 S * 12/2015 Boynton D8/363
 D744,541 S * 12/2015 Langhammer D14/496
 D748,639 S * 2/2016 Khodapanah D14/447
 D764,406 S * 8/2016 Uchida D13/108
 D771,614 S * 11/2016 Chang D14/253
 D788,080 S * 5/2017 Turksu D14/224
 9,641,919 B1 * 5/2017 Poole H04R 1/025
 D799,492 S * 10/2017 Seiss D14/447
 D808,928 S * 1/2018 Schaal D14/216
 D809,458 S * 2/2018 Yamazaki D13/110
 D817,333 S * 5/2018 Boshernitzan D14/434
 D823,071 S * 7/2018 Woods A47G 23/0313
 D7/624.1
 D823,241 S * 7/2018 Zhang D13/103
 D828,856 S * 9/2018 Langhammer D14/496
 D836,086 S * 12/2018 Yu D14/209.1
 D847,119 S * 4/2019 Theisen D14/209.1
 D855,564 S * 8/2019 Brennan D13/108
 D855,590 S * 8/2019 Qi D14/224
 D858,490 S * 9/2019 Qi D14/224
 D868,742 S * 12/2019 Cao D14/217
 D873,799 S * 1/2020 Longenecker D14/217
 D873,831 S * 1/2020 DePaolo D14/434
 D875,077 S * 2/2020 Omata D14/216
 D879,749 S * 3/2020 Qi D14/224
 D887,397 S * 6/2020 Wang D14/224
 D904,346 S * 12/2020 Wright D14/217
 D909,341 S * 2/2021 Saule D14/217
 2015/0275943 A1 * 10/2015 Chang F16M 11/10
 248/205.8
 2017/0187206 A1 * 6/2017 Lafountain H02J 7/0044
 2017/0215004 A1 * 7/2017 Wengreen H04R 1/026
 2018/0092230 A1 * 3/2018 Hsu H04R 1/1033

* cited by examiner

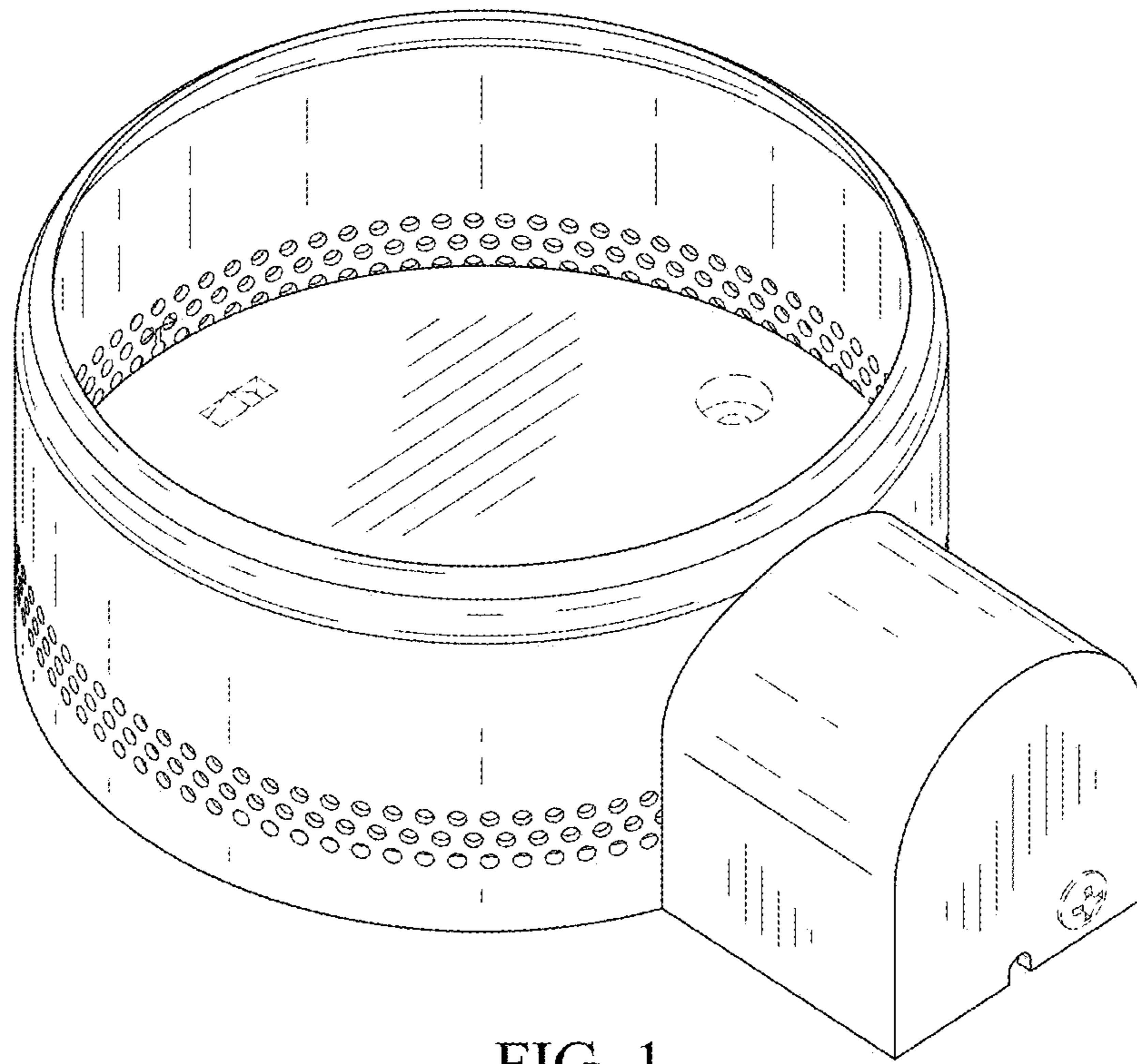


FIG. 1

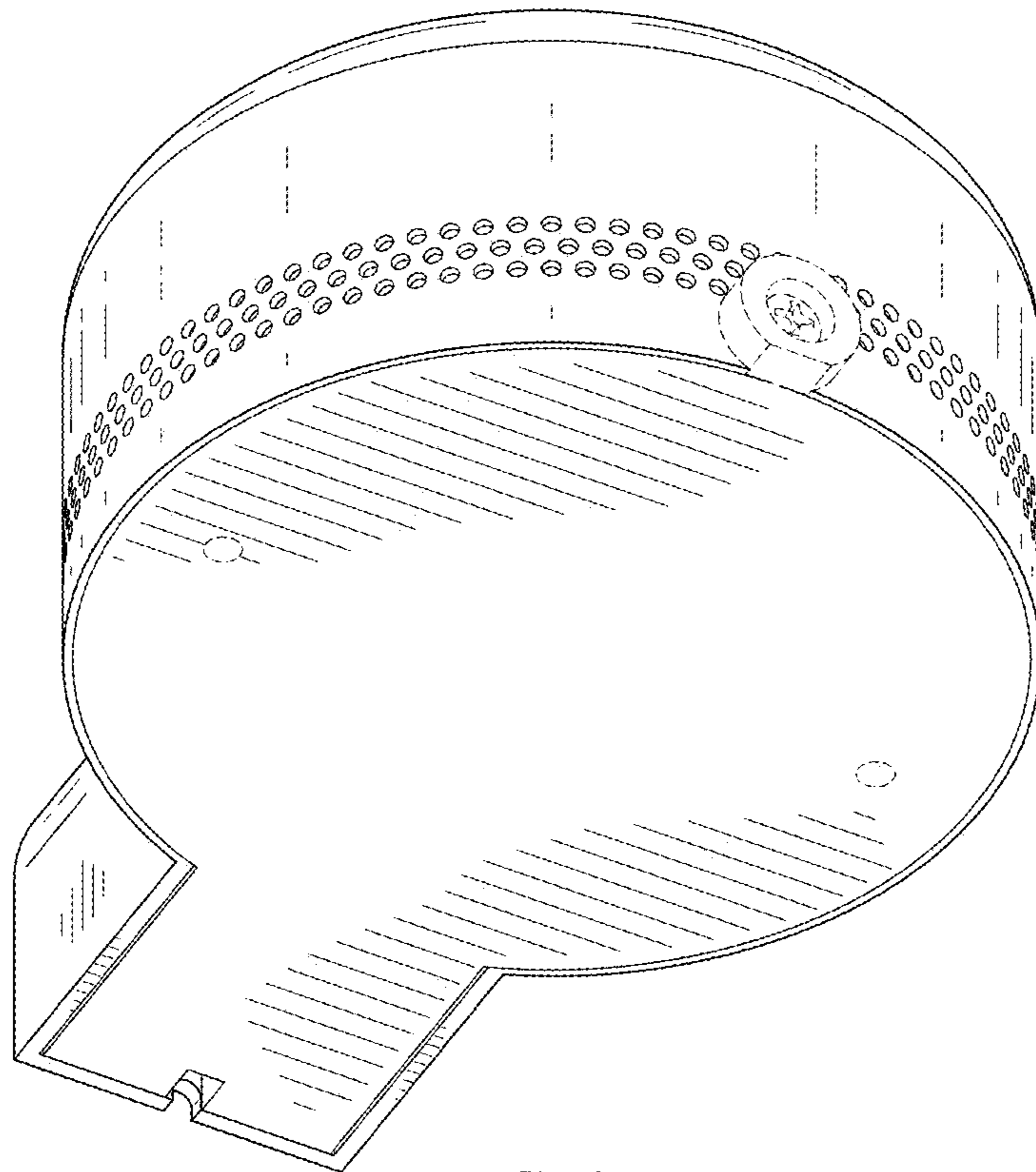


FIG. 2

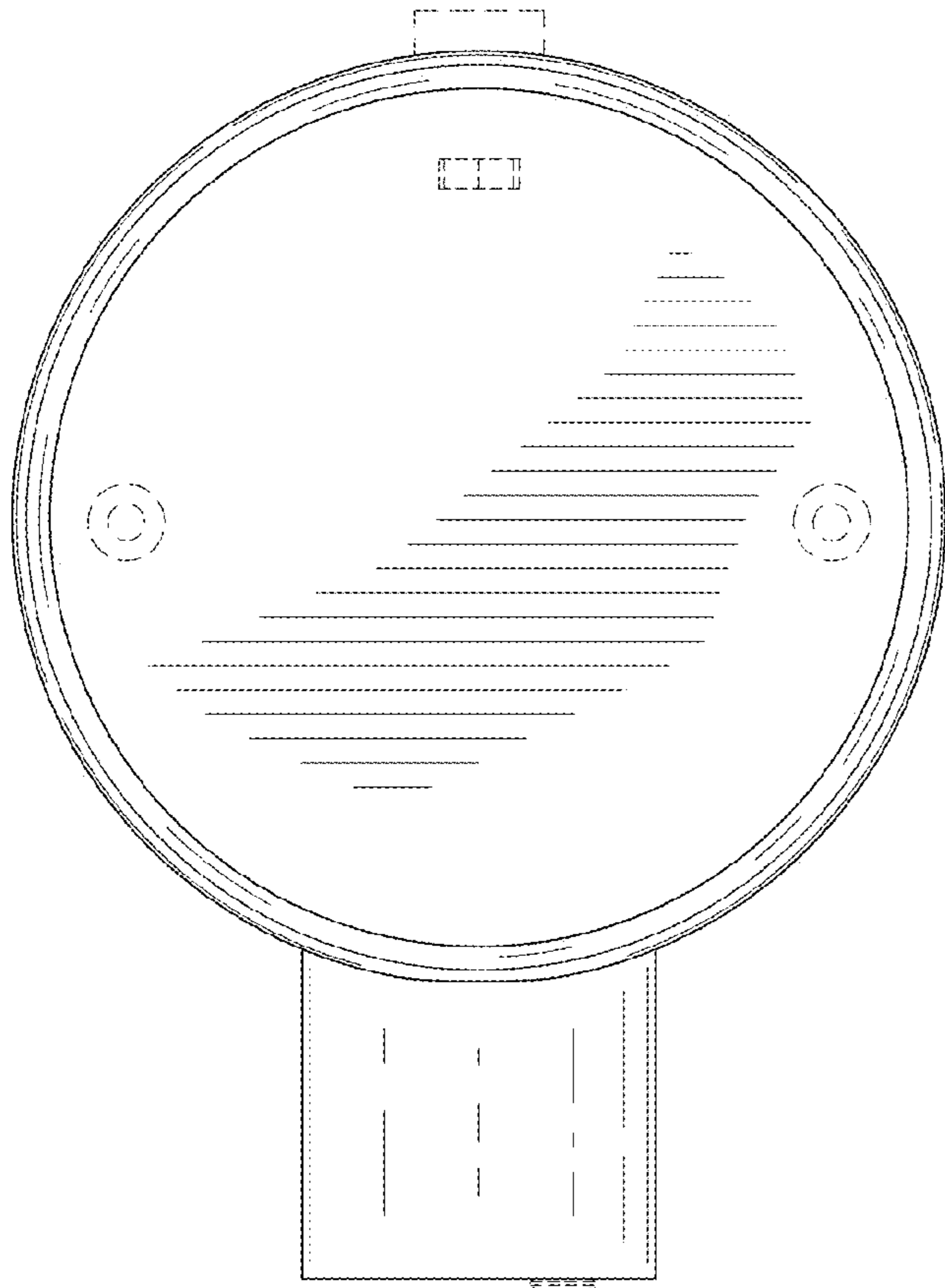


FIG. 3

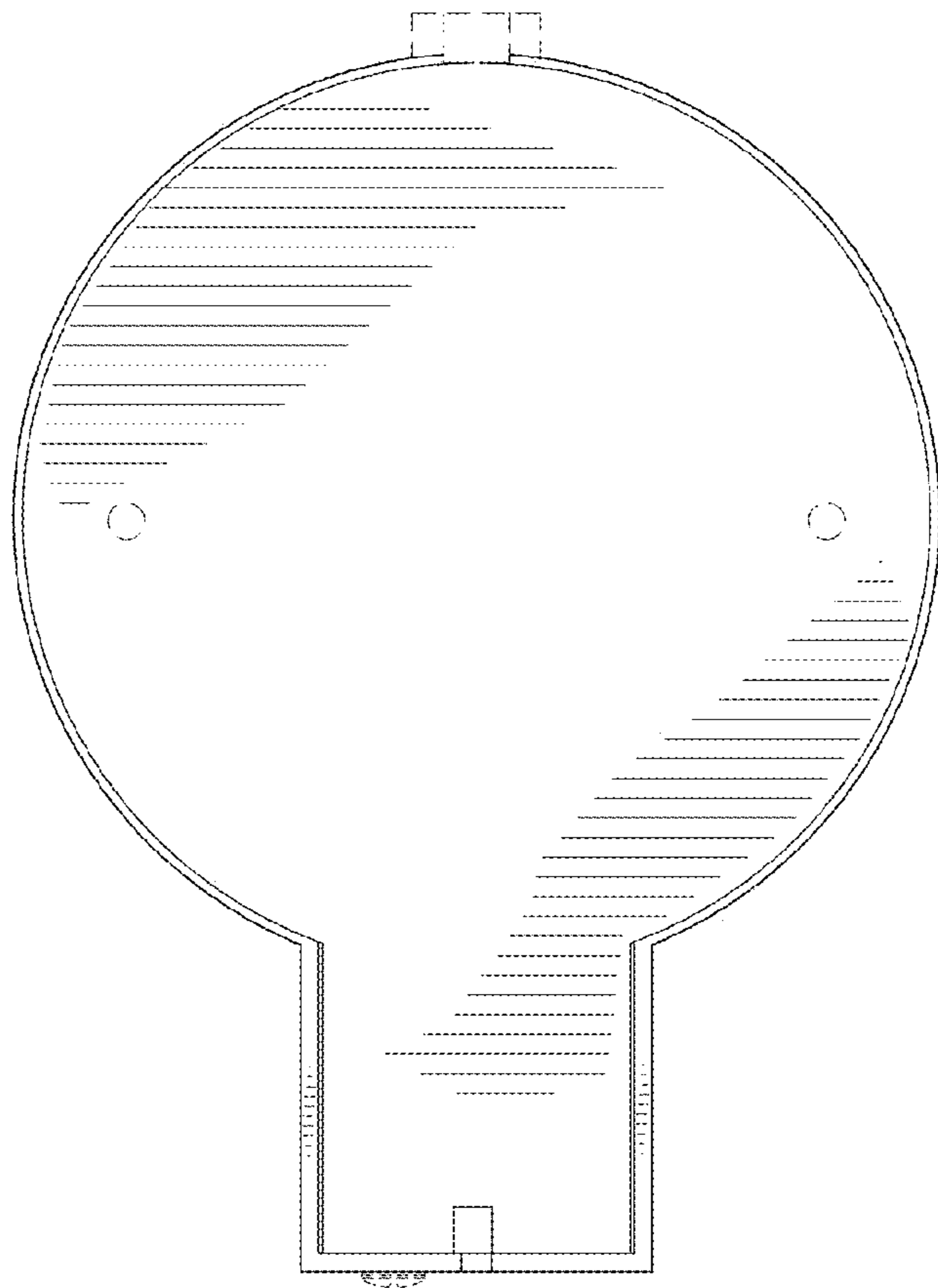


FIG. 4

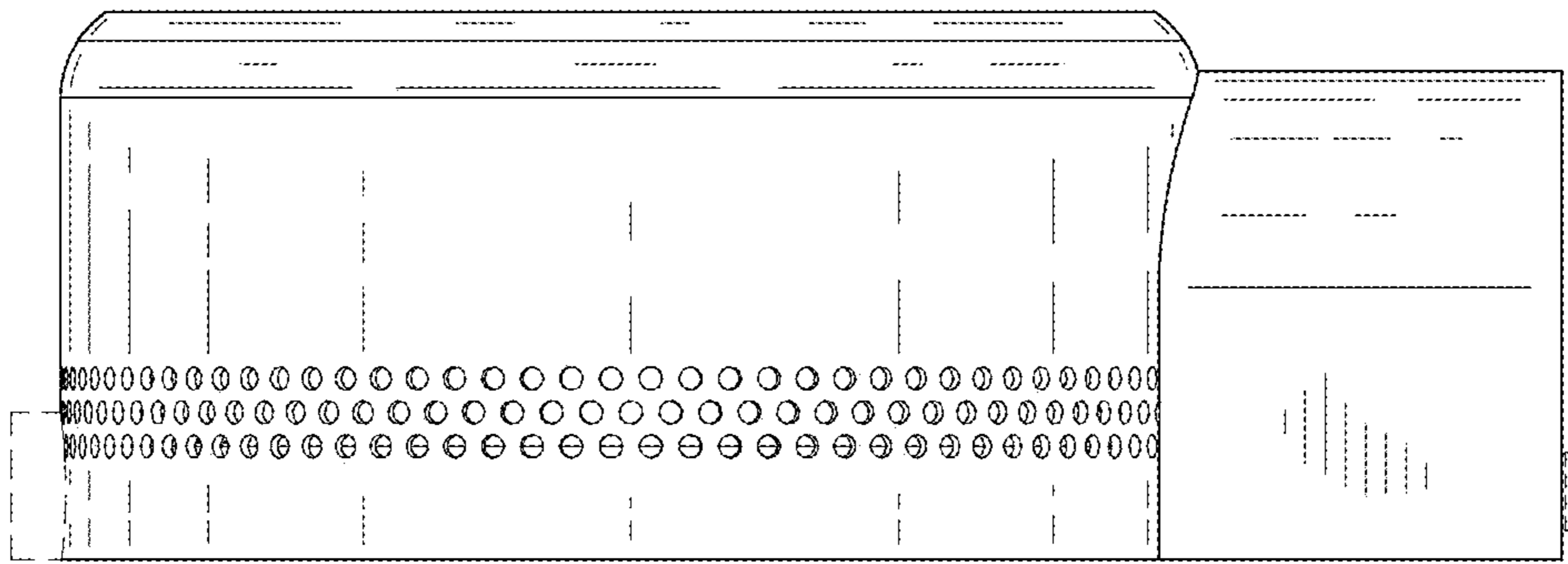


FIG. 5

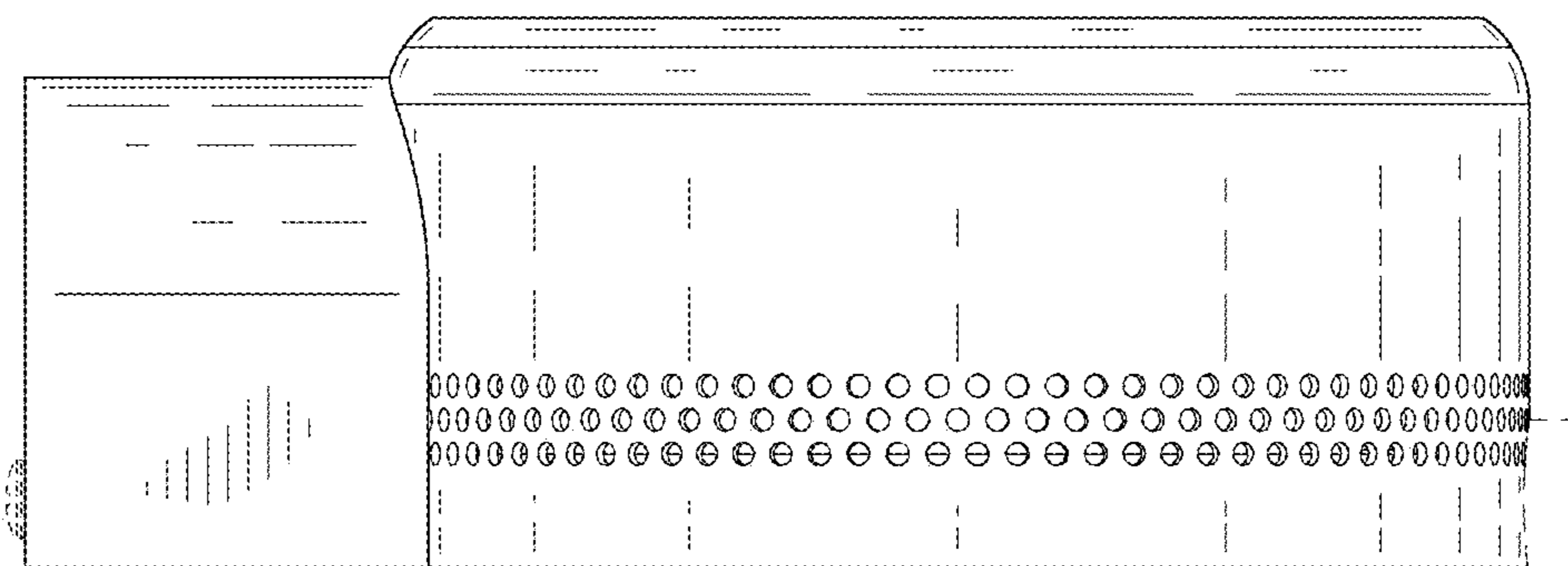


FIG. 6

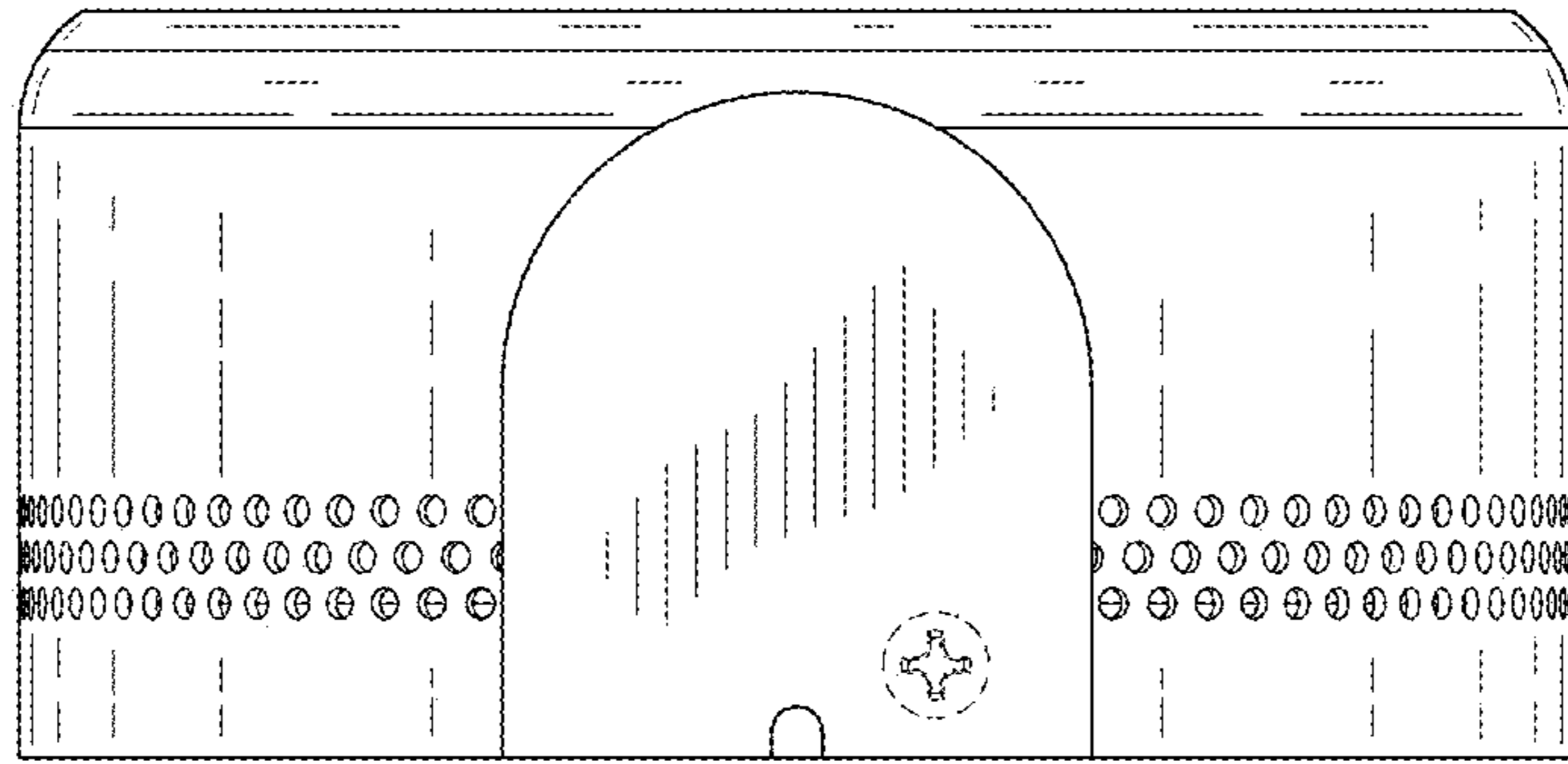


FIG. 7

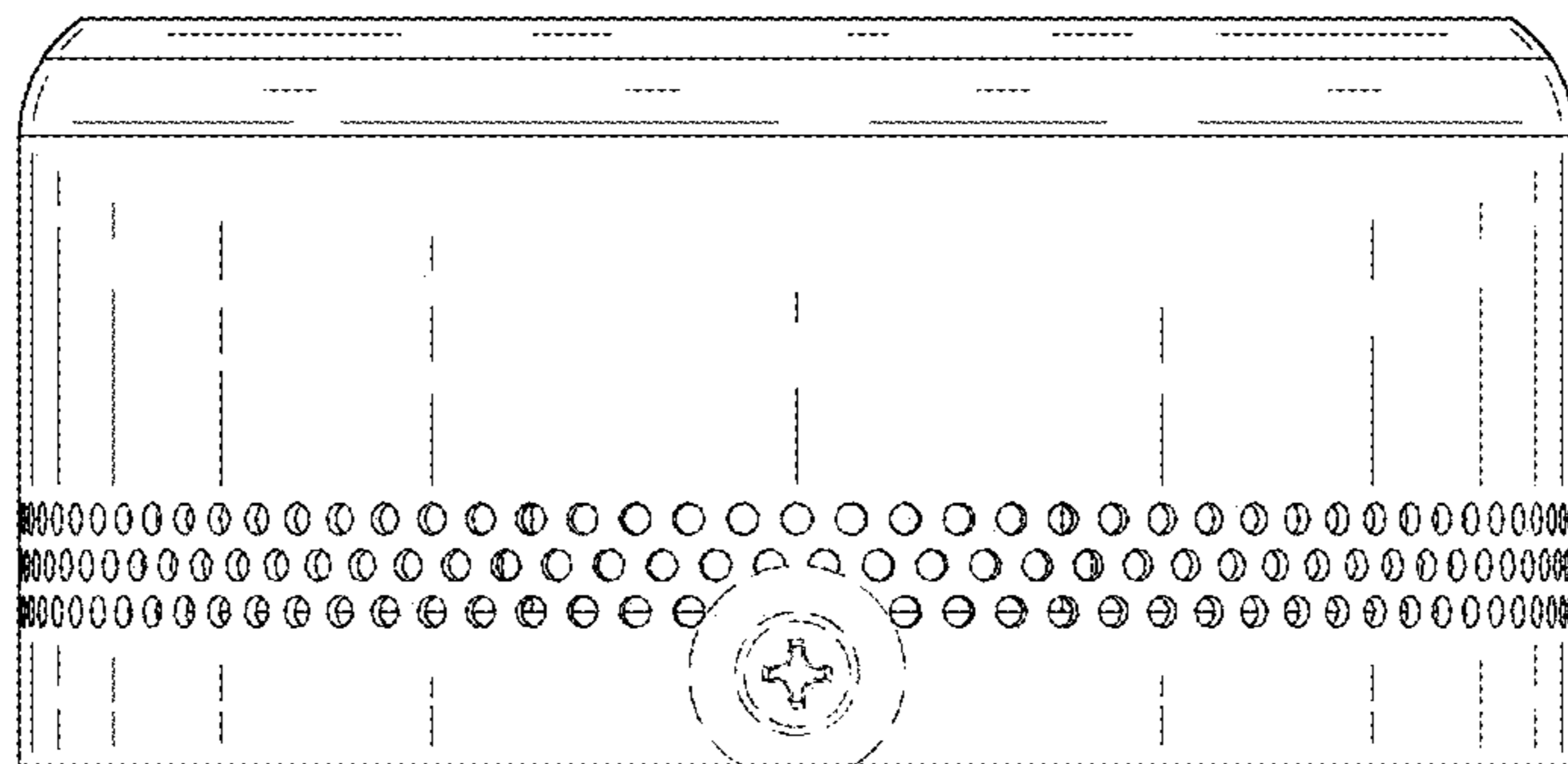


FIG. 8

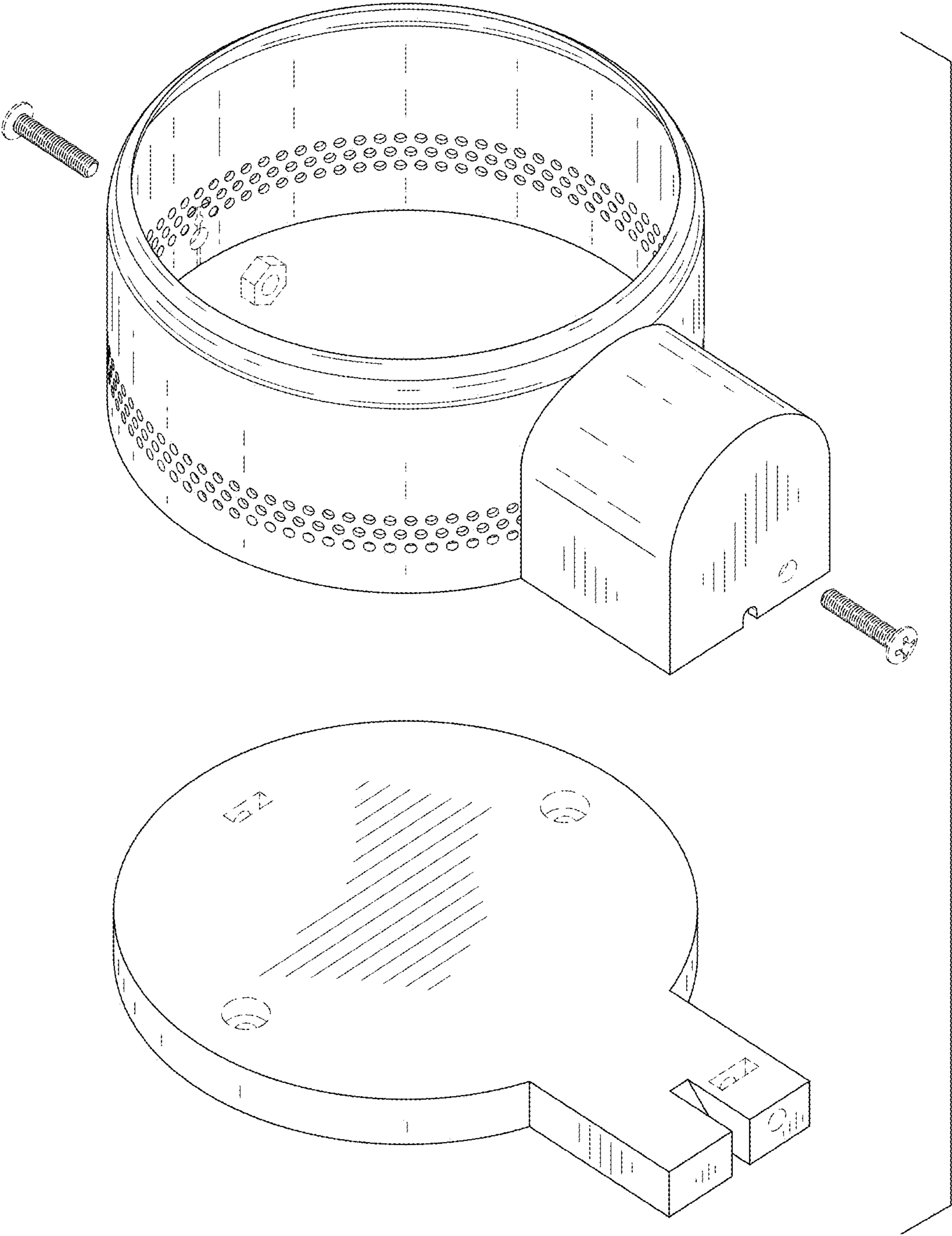


FIG. 9

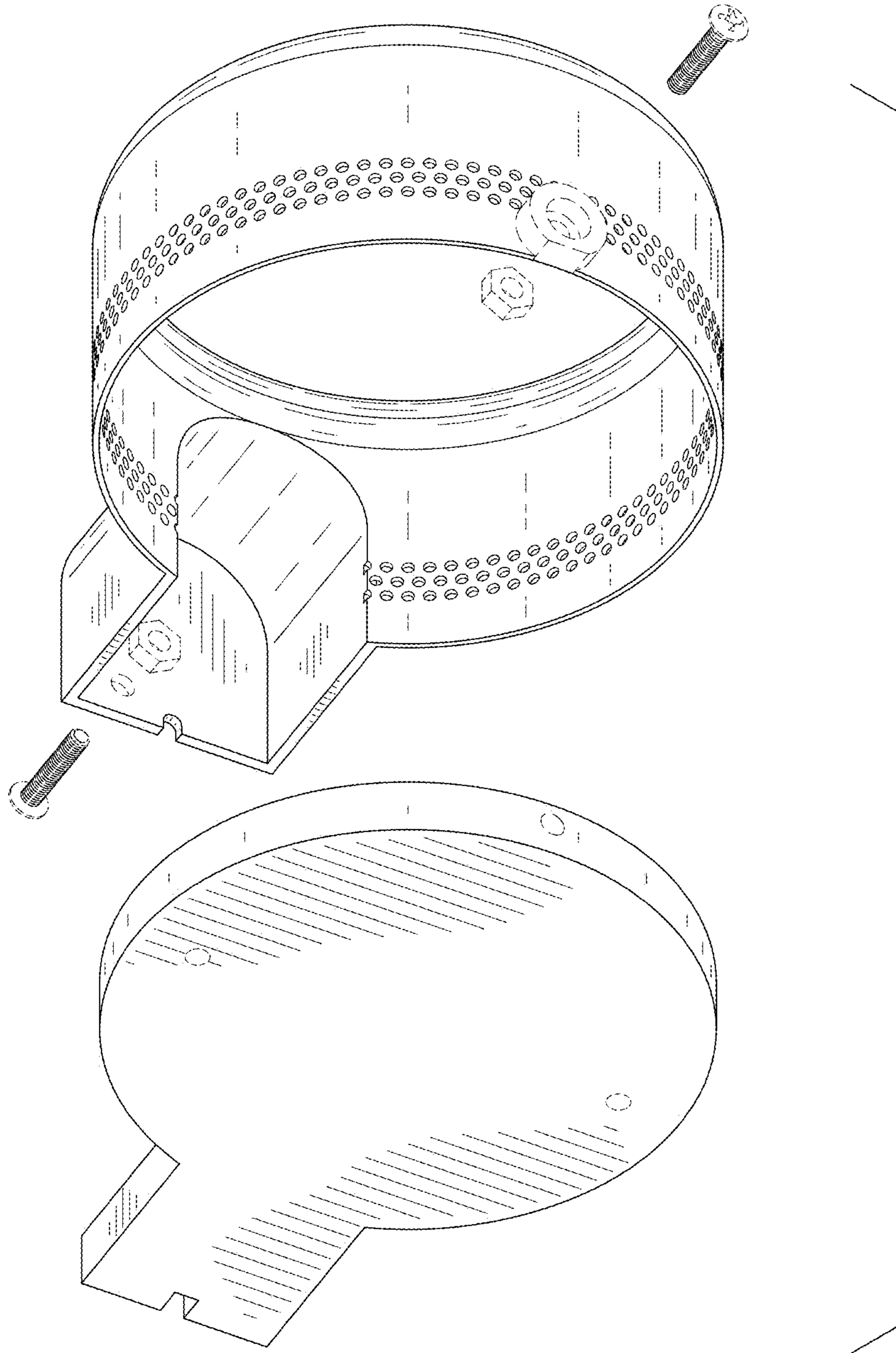


FIG. 10

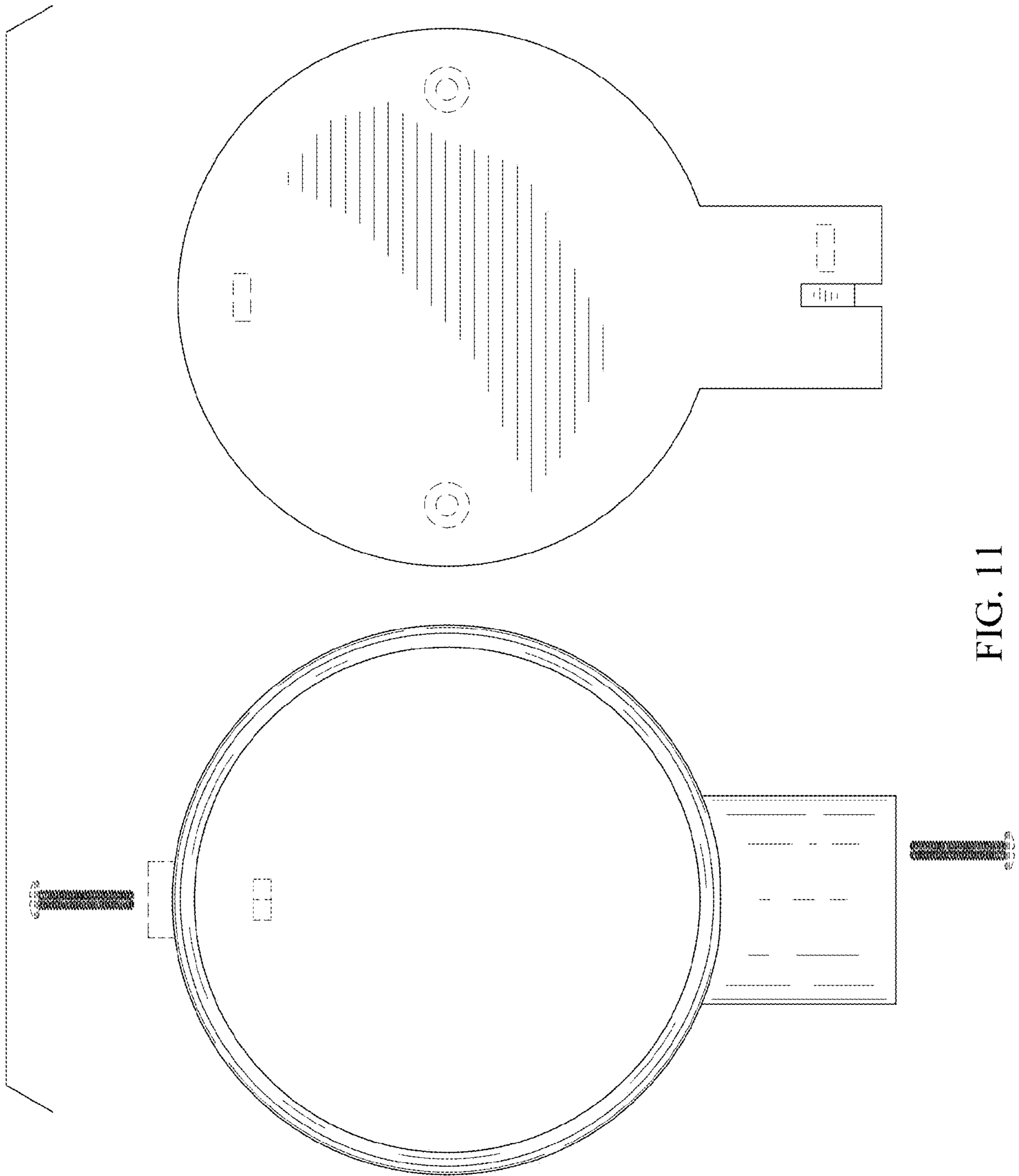


FIG. 11

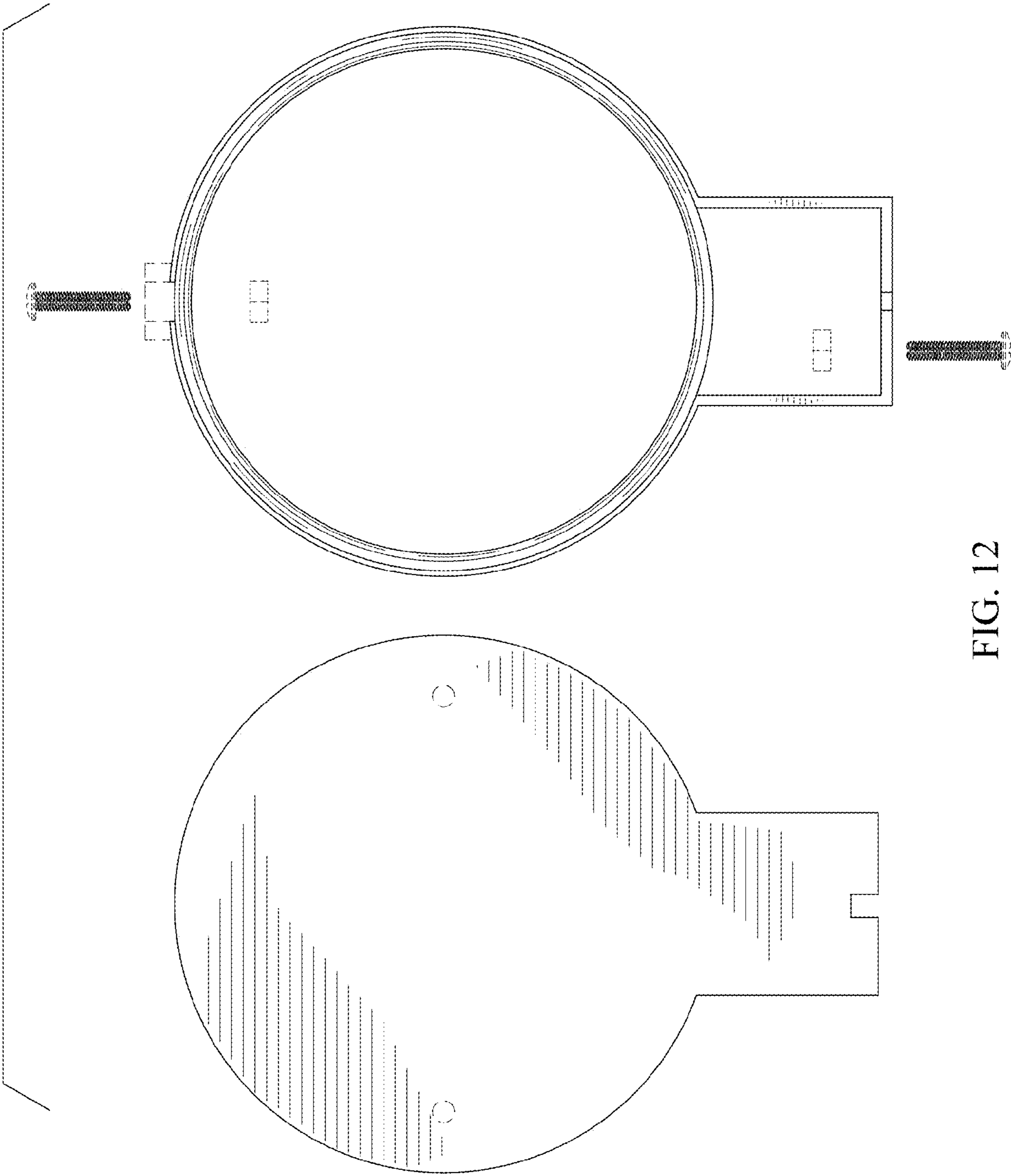


FIG. 12

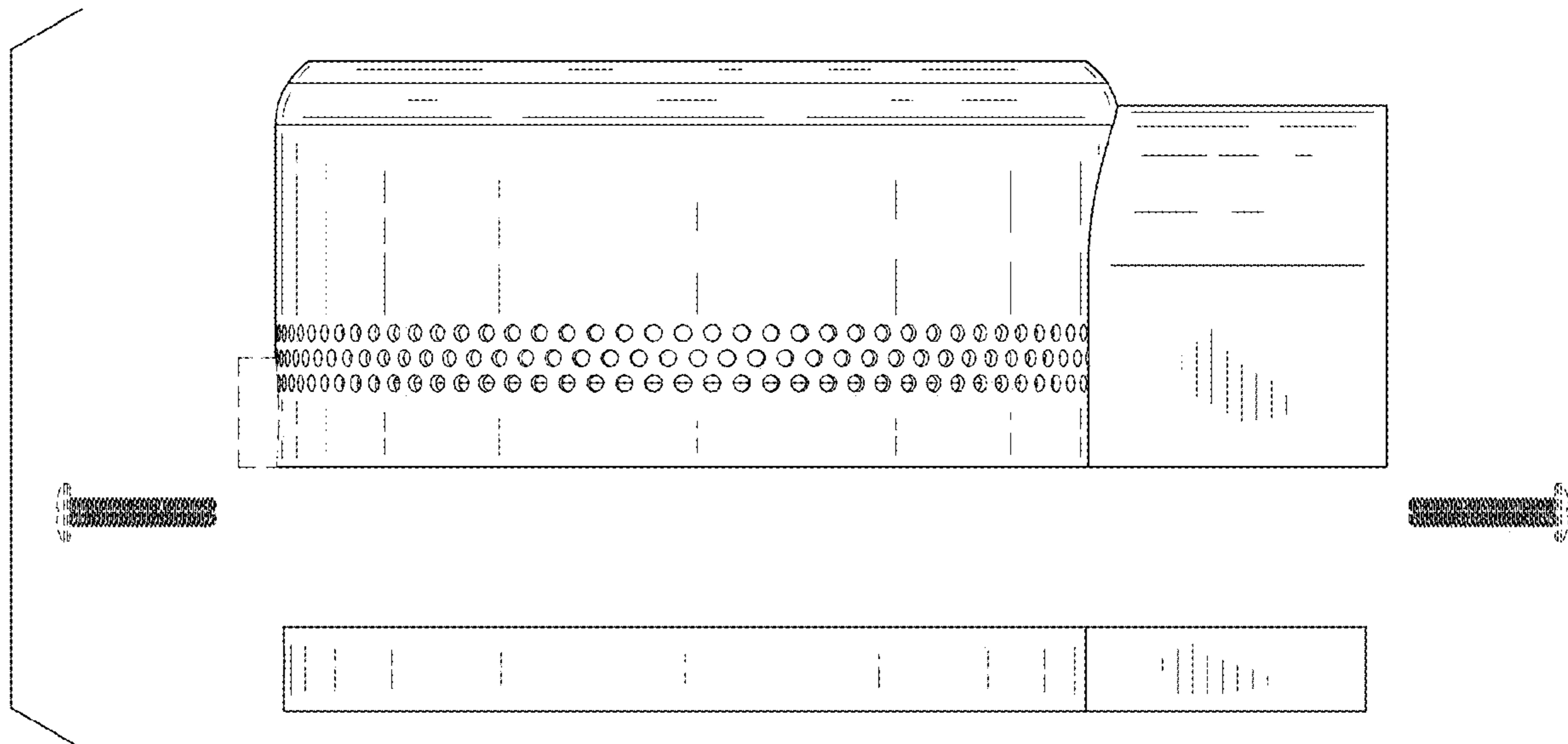


FIG. 13

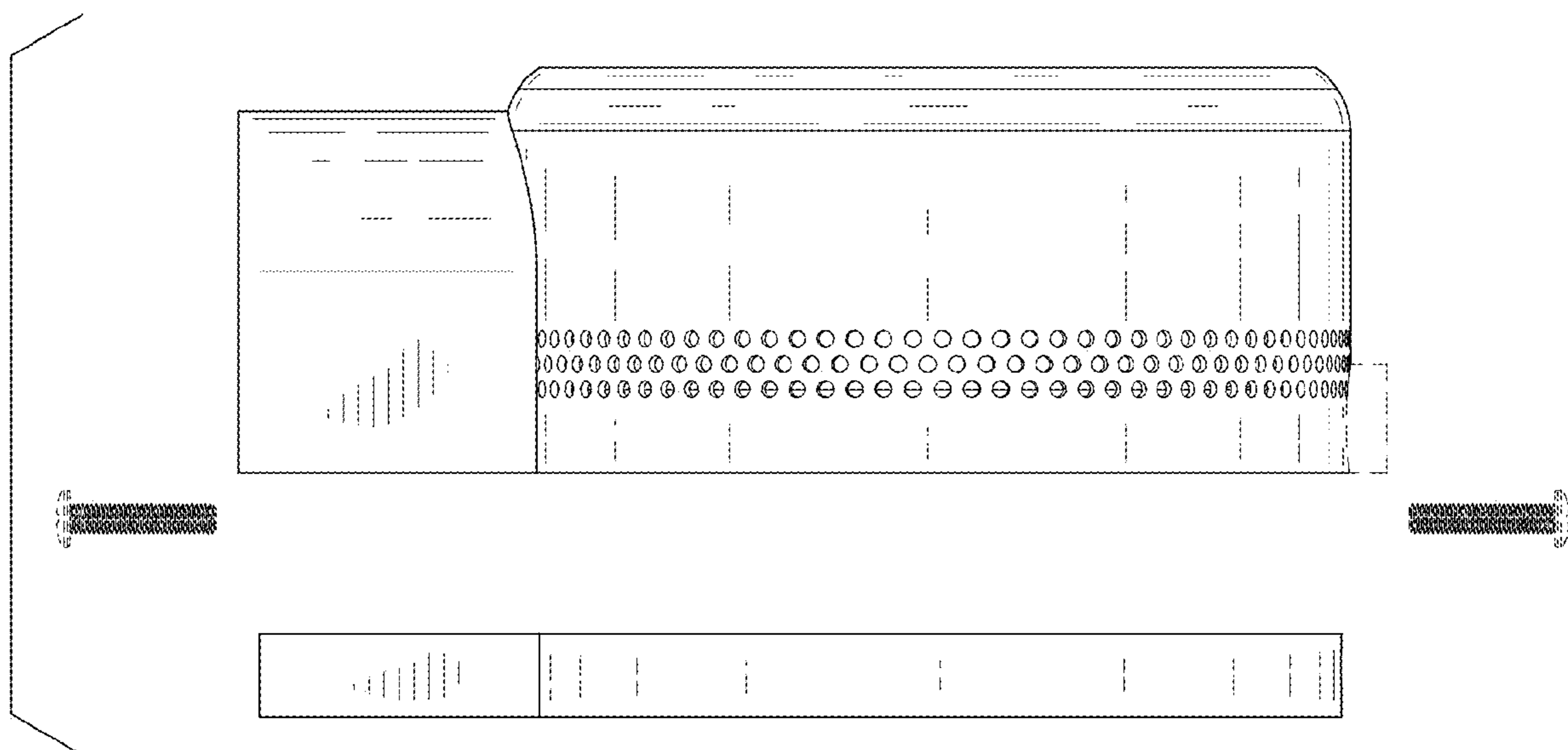


FIG. 14

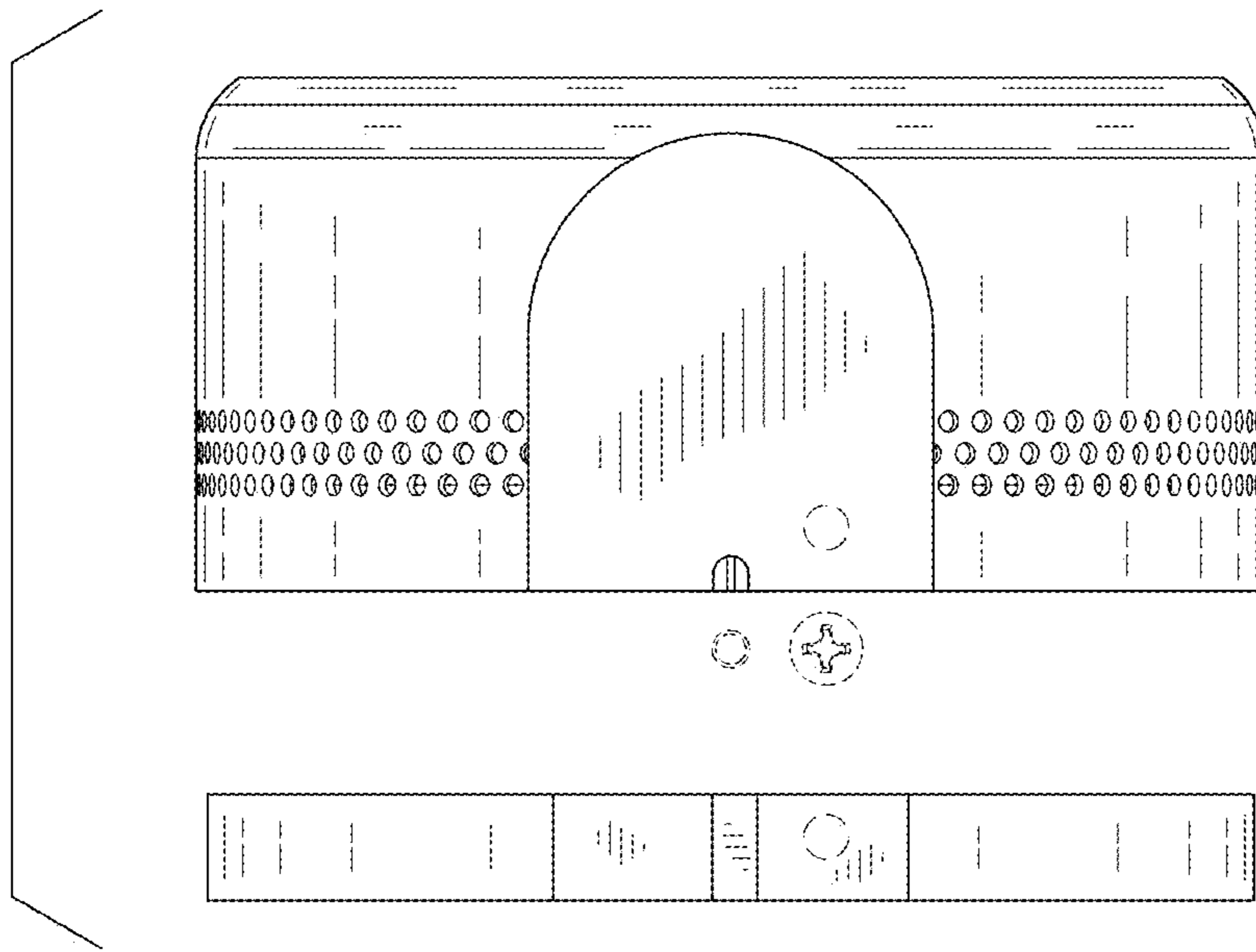


FIG. 15

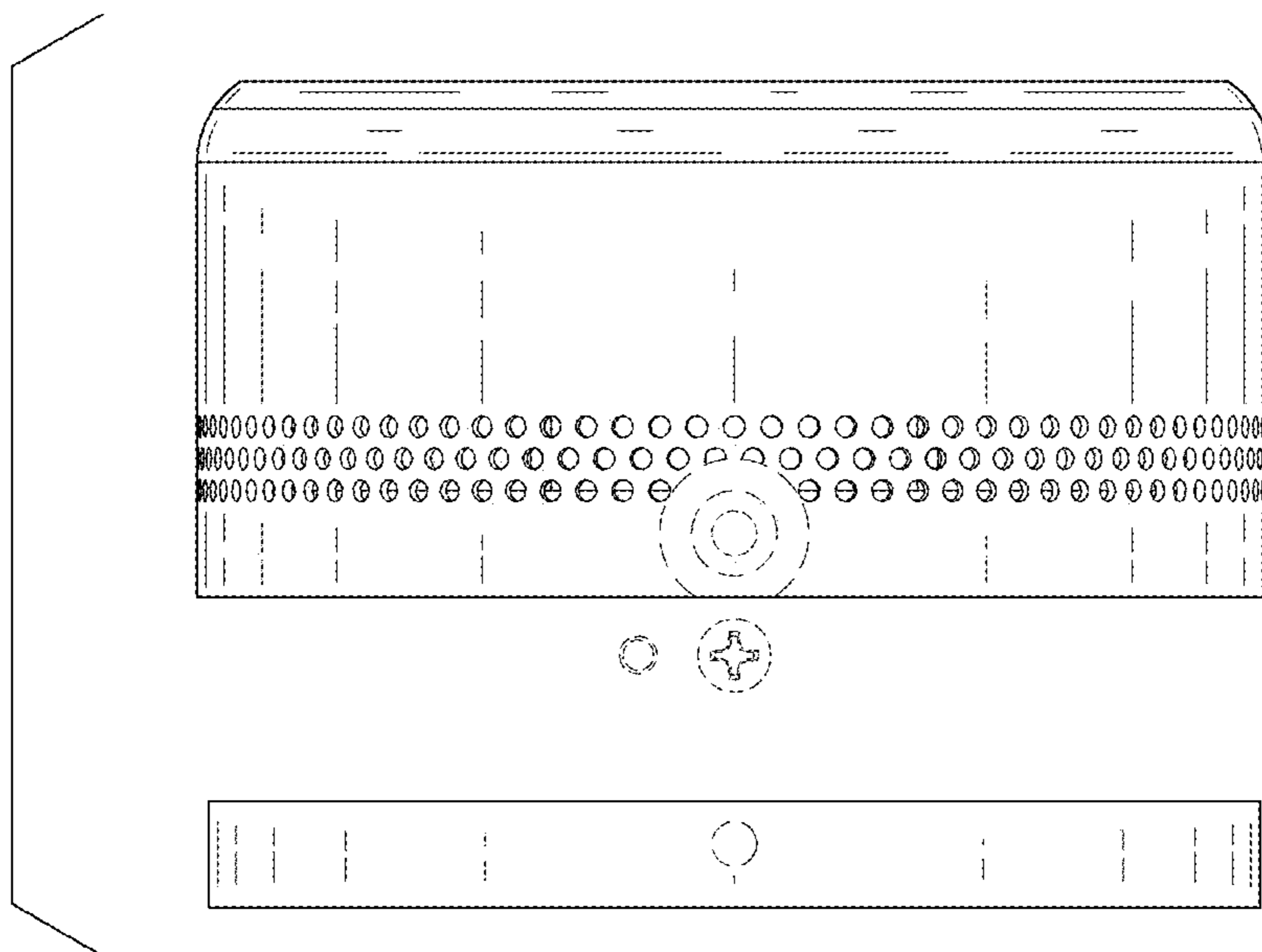


FIG. 16

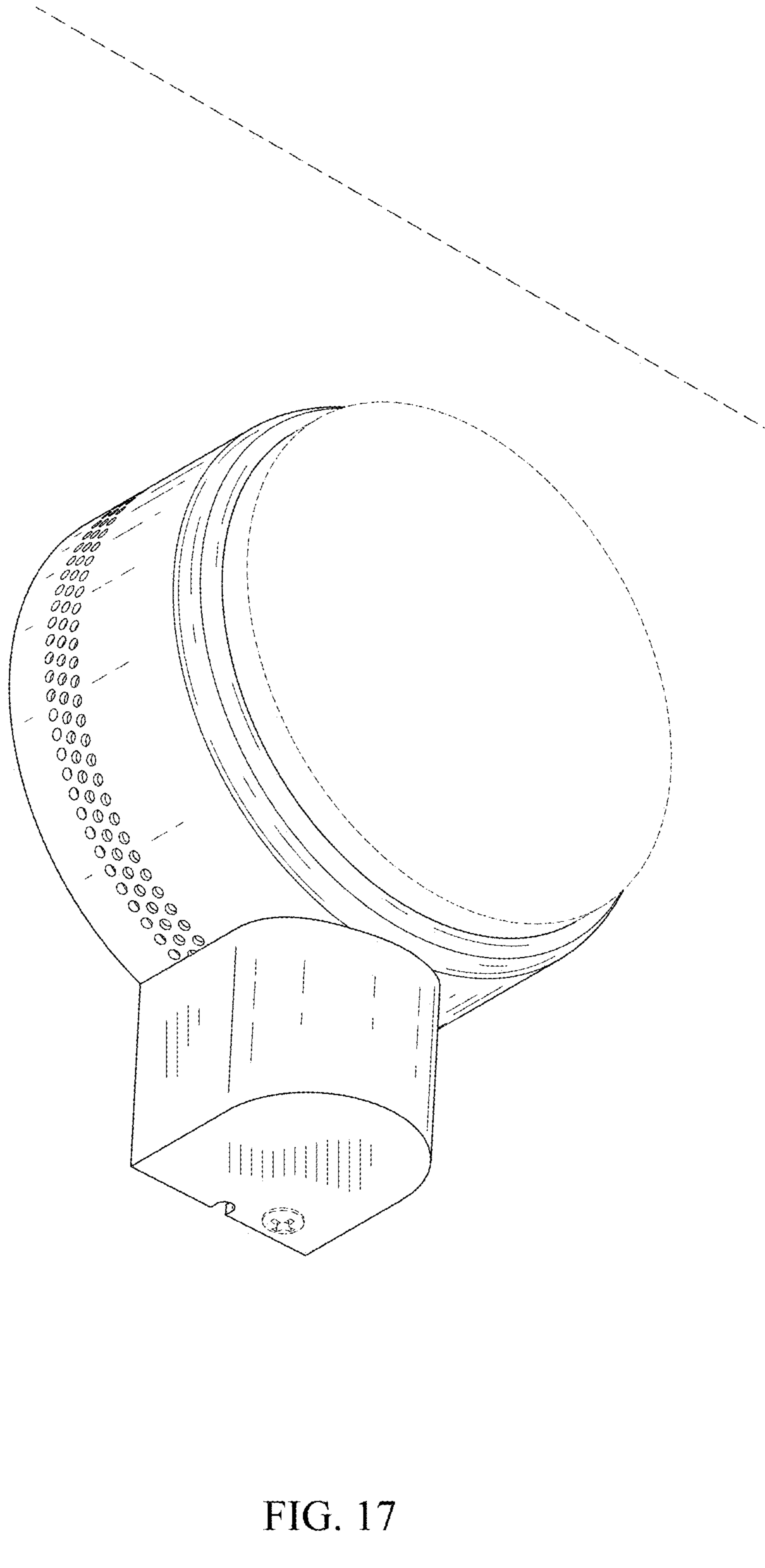


FIG. 17

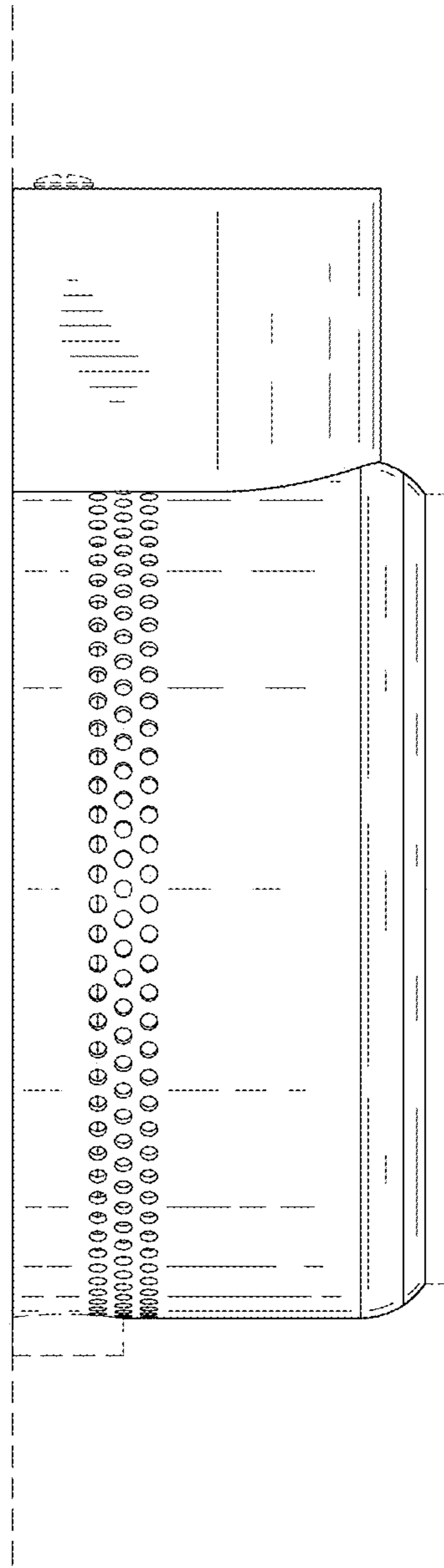


FIG. 18