



US00D920293S

(12) **United States Design Patent**
Chen

(10) **Patent No.:** **US D920,293 S**
(45) **Date of Patent:** **** May 25, 2021**

- (54) **WIRELESS EARPHONE**
- (71) Applicant: **SHENZHEN SIXPIPES TECHNOLOGY CO., LTD**, Shenzhen (CN)
- (72) Inventor: **Guohua Chen**, Shenzhen (CN)
- (73) Assignee: **SHENZHEN SIXPIPES TECHNOLOGY CO., LTD**, Shenzhen (CN)

9,042,588	B2 *	5/2015	Aase	H04R 1/1041
					381/380
D733,101	S *	6/2015	Pi	D14/223
D735,699	S *	8/2015	Yasuda	D14/223
D742,860	S *	11/2015	Miyake	D14/223
D746,792	S *	1/2016	Kim	D14/205
D757,682	S *	5/2016	Perez	D14/205
D762,196	S *	7/2016	Hsieh	D14/223
D762,616	S *	8/2016	Hsieh	D14/205
D773,435	S *	12/2016	Ott	D14/205
D775,108	S *	12/2016	Hsieh	D14/223
D784,298	S *	4/2017	Ozawa	D14/223
D784,962	S *	4/2017	Yang	D14/223

(Continued)

(**) Term: **15 Years**

FOREIGN PATENT DOCUMENTS

(21) Appl. No.: **29/759,978**

EM	007471891-0001	*	1/2020
EM	008318232-0001	*	12/2020

(22) Filed: **Nov. 26, 2020**

(Continued)

(51) **LOC (13) Cl.** **14-01**

(52) **U.S. Cl.**

USPC **D14/223**

(58) **Field of Classification Search**

USPC D14/223, 205; D24/174; 128/864, 865, 128/866; 381/380, 381, 322; 455/90.3, 455/575.1, 569.1

CPC H04R 1/10; H04R 25/00; H04R 1/1066; H04R 1/1016; H04R 5/033; H04R 5/0335; H04R 1/1091; H02J 7/00

See application file for complete search history.

Primary Examiner — Paula Allen Greene

(57) **CLAIM**

The ornamental design for a wireless earphone, as shown and described.

DESCRIPTION

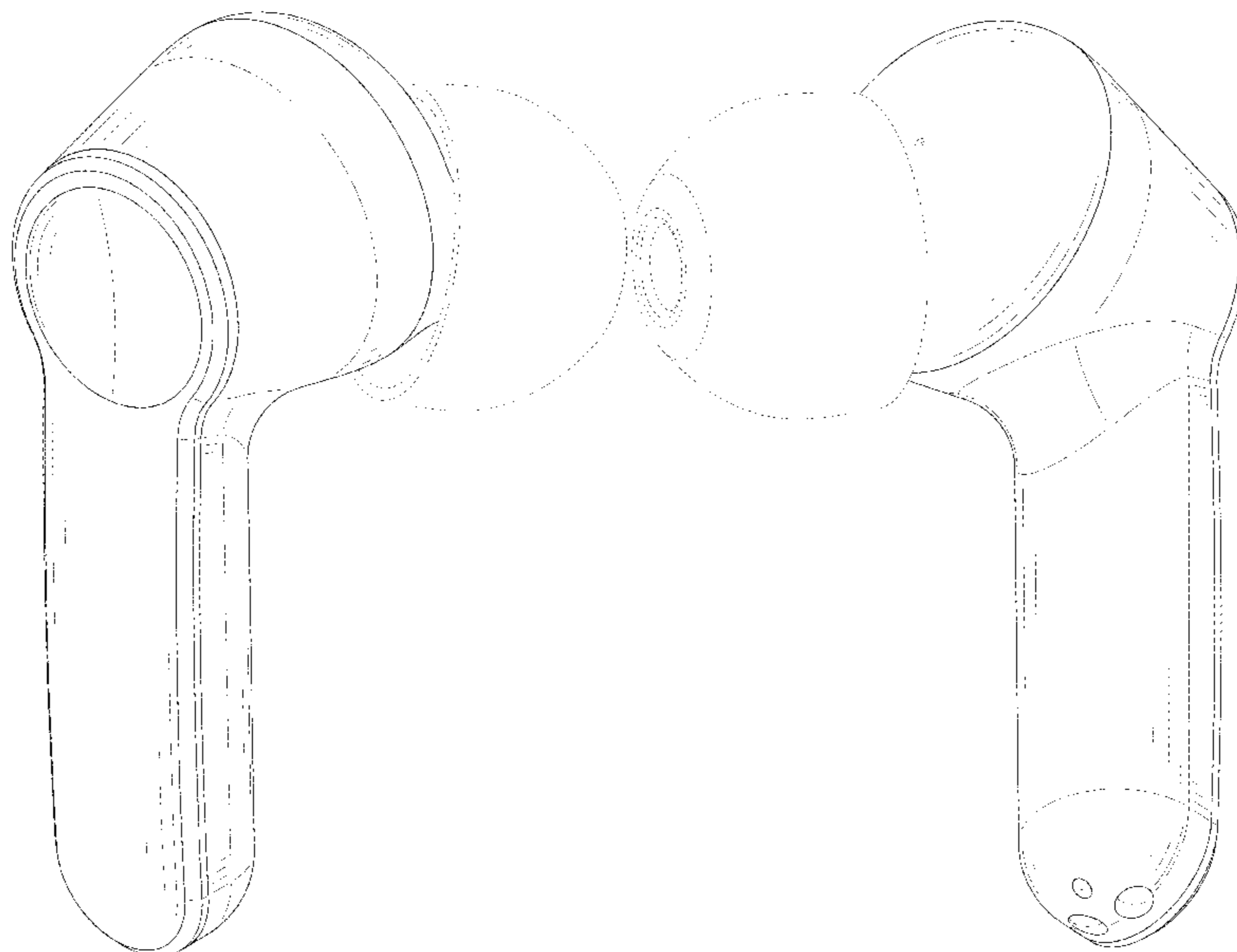
FIG. 1 is a perspective view of a wireless earphone showing my new design;
 FIG. 2 is another perspective view thereof;
 FIG. 3 is a front elevational view thereof;
 FIG. 4 is a rear elevational view thereof;
 FIG. 5 is a left side elevational view thereof;
 FIG. 6 is a right side elevational view thereof;
 FIG. 7 is a top plan view thereof;
 FIG. 8 is a bottom plan view thereof; and,
 FIG. 9 is a perspective view of the wireless earphone where the wireless earphone is received in a charging case.
 The broken lines in the drawings depict portions of the wireless earphone that form no part of the claimed design.

(56) **References Cited**

U.S. PATENT DOCUMENTS

5,410,608	A *	4/1995	Lucey	H04R 1/083
					381/360
8,712,087	B2 *	4/2014	Ozawa	H04R 1/1016
					381/380
8,831,266	B1 *	9/2014	Huang	H04R 1/2811
					381/380
D718,284	S *	11/2014	Shibusawa	D14/223
D718,286	S *	11/2014	Yang	D14/223
D719,548	S *	12/2014	Thompson	D14/223

1 Claim, 9 Drawing Sheets



(56)

References Cited

U.S. PATENT DOCUMENTS

D800,097 S 10/2017 Chen
 D801,314 S * 10/2017 Akana D14/223
 D802,562 S * 11/2017 Baba D14/223
 D803,184 S * 11/2017 Loh Jun Kern D14/205
 D813,844 S * 3/2018 Stiff D14/223
 D820,809 S * 6/2018 Akana D14/205
 D822,009 S * 7/2018 Matoba D14/223
 D829,193 S * 9/2018 Cai D14/223
 D830,336 S * 10/2018 Cai D14/205
 D830,345 S * 10/2018 Cai D14/223
 D831,619 S * 10/2018 Matoba D14/223
 D832,823 S * 11/2018 Xiao D14/223
 D847,125 S * 4/2019 Akana D14/223
 D847,794 S * 5/2019 Guo D14/223
 D848,980 S * 5/2019 Kim D14/223
 D848,982 S * 5/2019 Kim D14/223
 D853,995 S * 7/2019 Cai D14/223
 D861,647 S * 10/2019 Chen D14/223
 D864,165 S * 10/2019 Roberts D14/223
 D864,169 S * 10/2019 Min D14/223
 D869,445 S * 12/2019 Hu D14/223
 D871,376 S 12/2019 Zhou
 D873,805 S 1/2020 Yang et al.
 D877,722 S * 3/2020 Yang D14/223
 D878,337 S * 3/2020 Yang D14/223
 D883,260 S * 5/2020 Hu D14/223
 D883,960 S * 5/2020 Du D14/223
 D884,682 S * 5/2020 Du D14/223
 D885,373 S * 5/2020 Lundback D14/223
 D887,396 S * 6/2020 Wang D14/223

D888,690 S * 6/2020 Yan D14/223
 D888,691 S * 6/2020 Liu D14/223
 D889,437 S * 7/2020 Ando D14/223
 D890,138 S * 7/2020 Peng D14/223
 D890,724 S * 7/2020 Li D14/223
 D893,462 S * 8/2020 Liu D14/223
 D895,579 S * 9/2020 Yang D14/223
 D895,582 S * 9/2020 Wu D14/223
 D896,206 S * 9/2020 Xu D14/223
 D896,207 S * 9/2020 He D14/223
 D897,997 S * 10/2020 Zhang D14/223
 D897,998 S * 10/2020 Ma D14/223
 D903,639 S * 12/2020 Yang D14/223
 D905,018 S * 12/2020 Zhu D14/223
 D907,008 S * 1/2021 Yao D14/223
 D910,600 S * 2/2021 Zhang D14/223
 D911,315 S * 2/2021 Hutchison D14/223
 D914,647 S * 3/2021 Yang D14/223
 D914,648 S * 3/2021 Zhou D14/223
 D914,649 S * 3/2021 Chen D14/223
 D914,652 S * 3/2021 Chen D14/223
 2017/0026738 A1 * 1/2017 Tang H04R 1/1091
 2020/0068283 A1 * 2/2020 Chou H04R 1/1025
 2020/0177986 A1 * 6/2020 Wen H04R 1/1083
 2020/0314527 A1 * 10/2020 Guo H04R 1/1041
 2021/0014603 A1 * 1/2021 Wei G06F 3/044

FOREIGN PATENT DOCUMENTS

EM 008320691-0001 * 12/2020
 EM 008450167-0002 * 3/2021

* cited by examiner

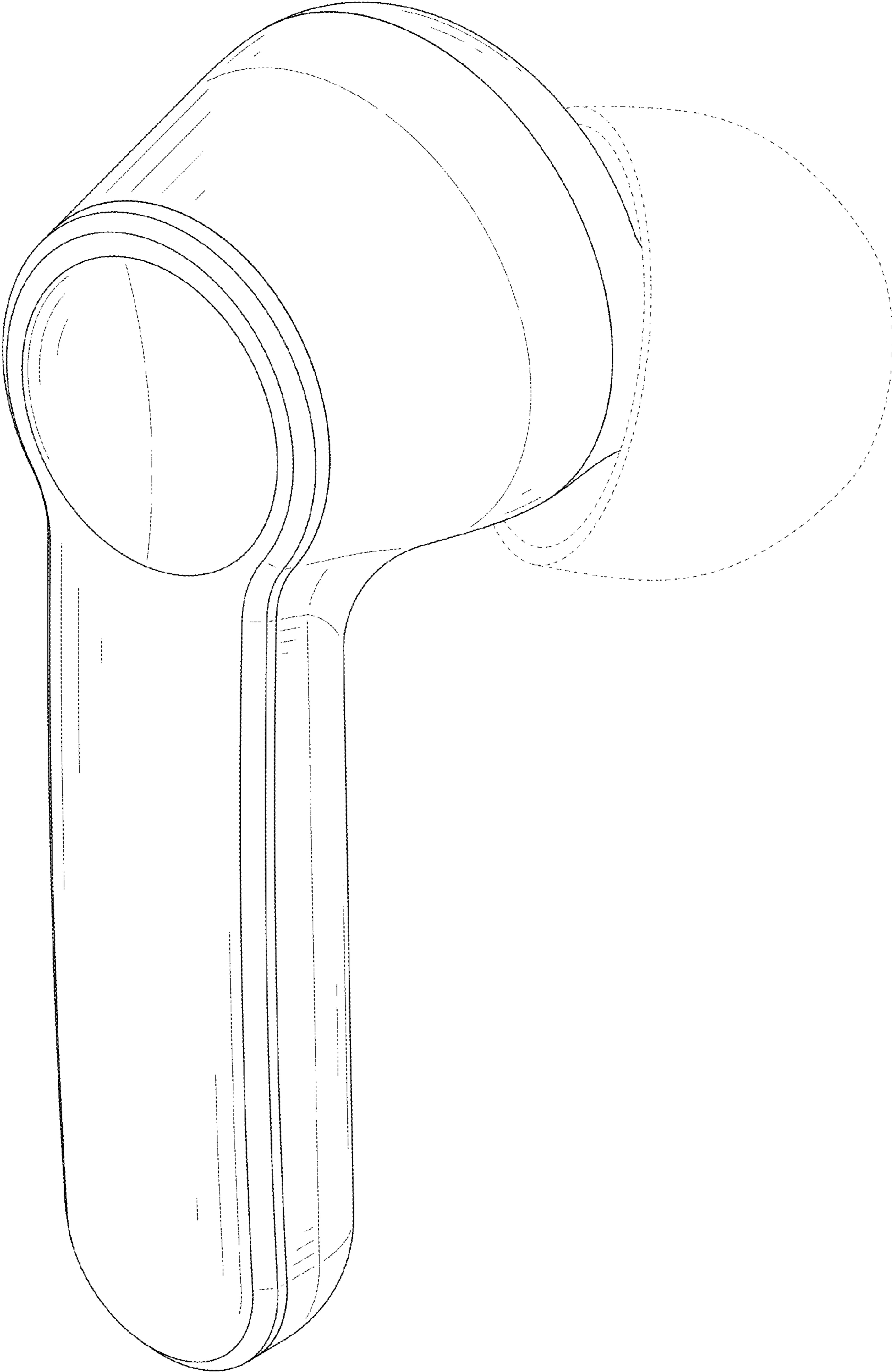


FIG. 1

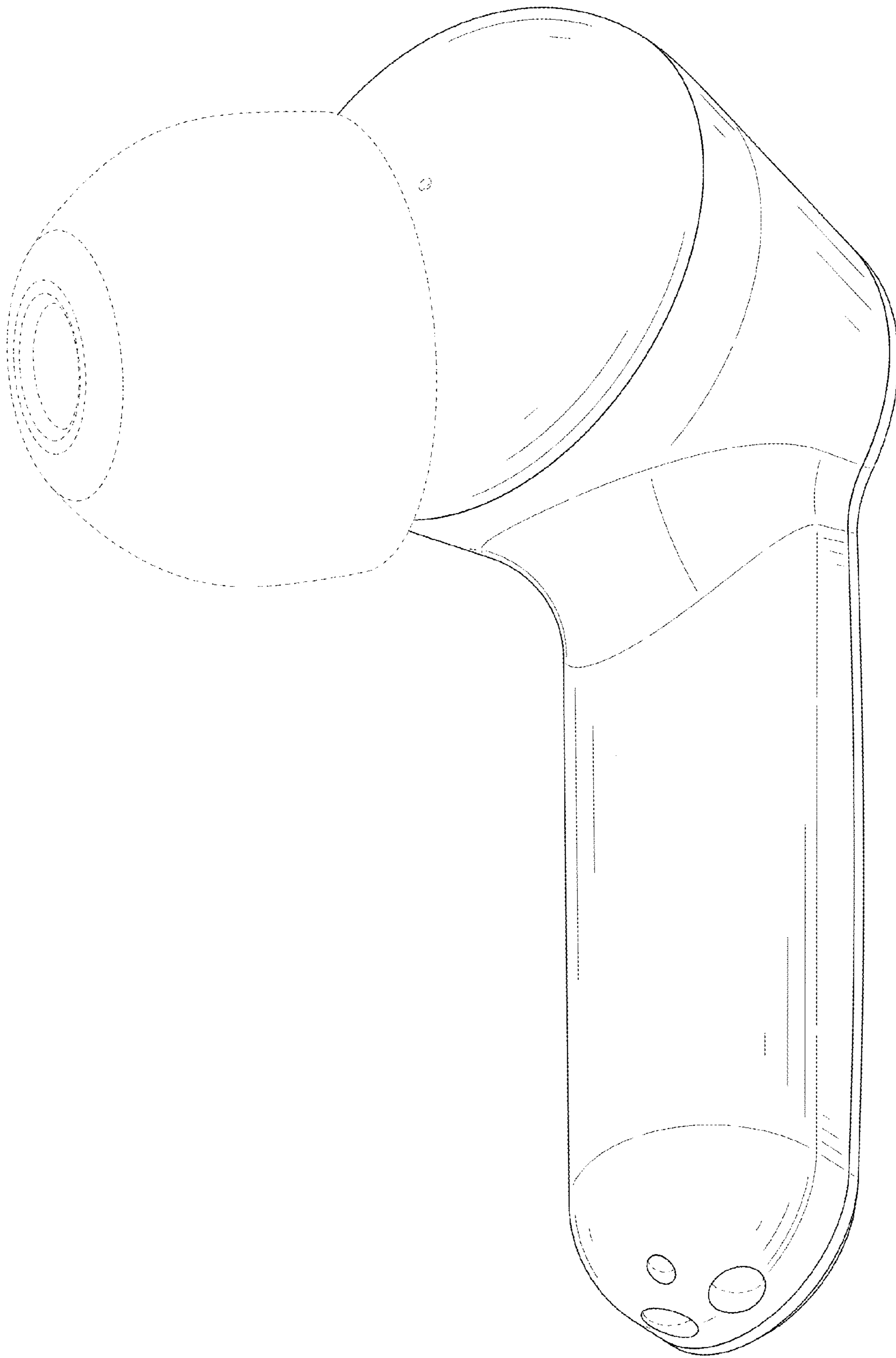


FIG. 2

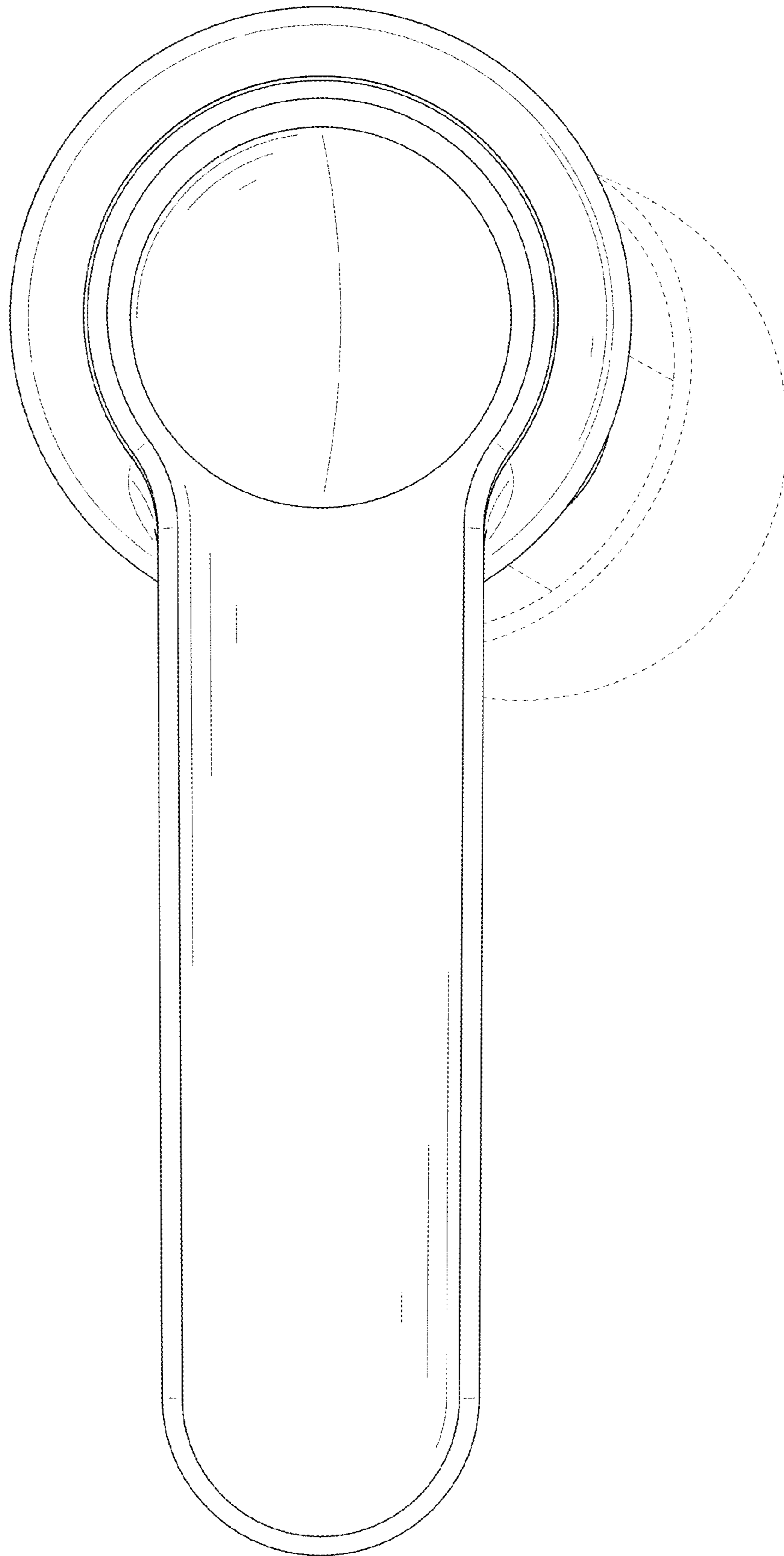


FIG. 3

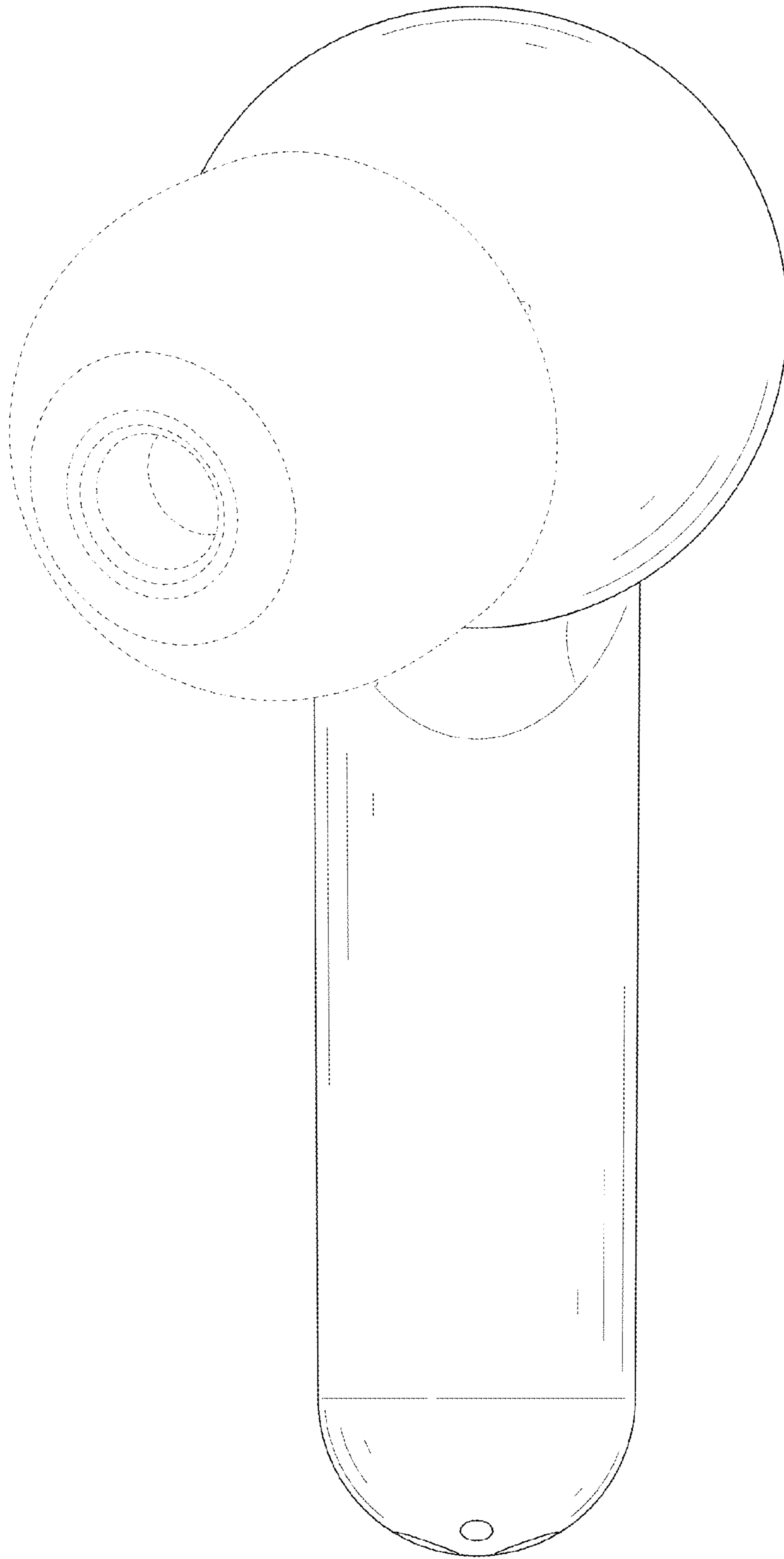


FIG. 4

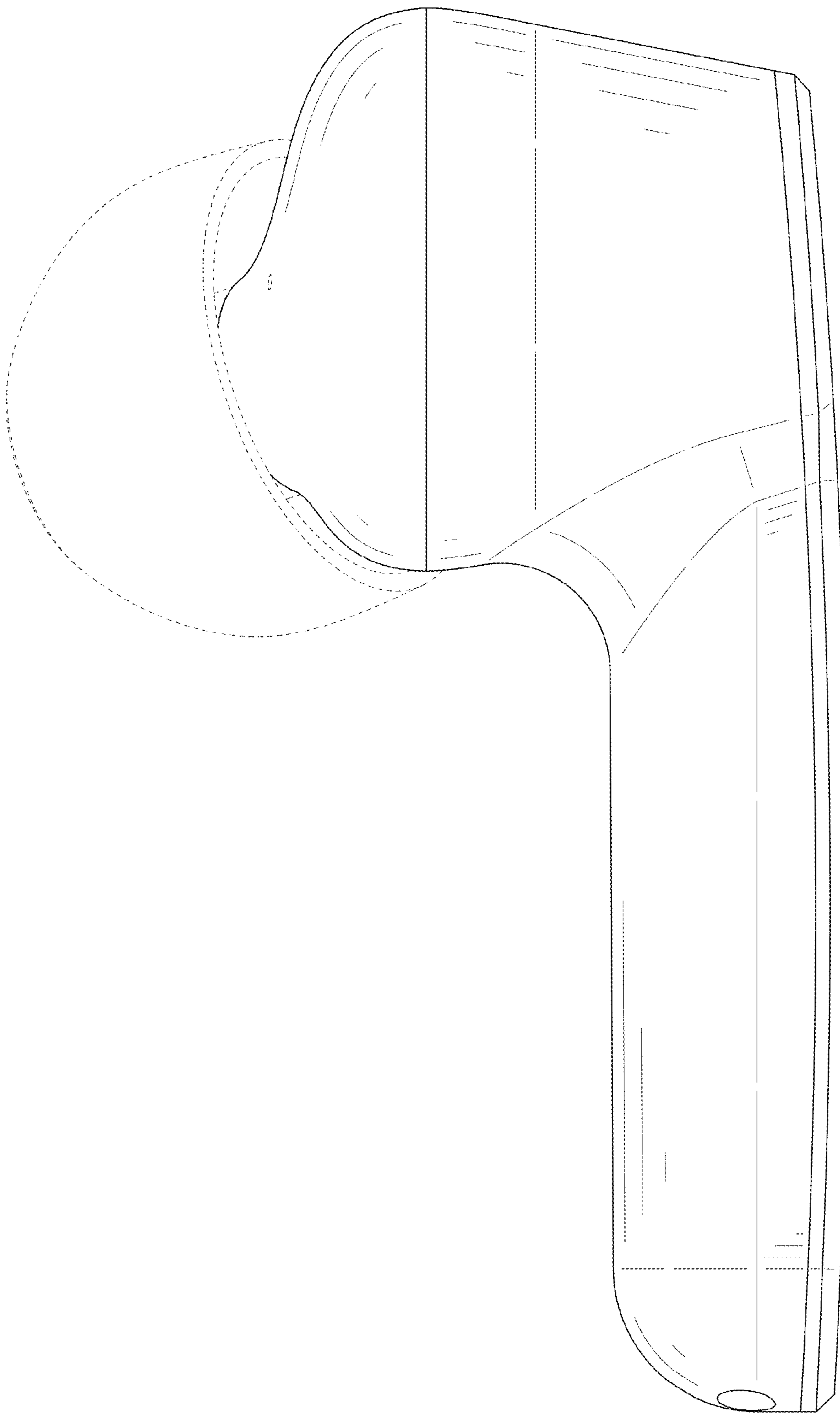


FIG. 5

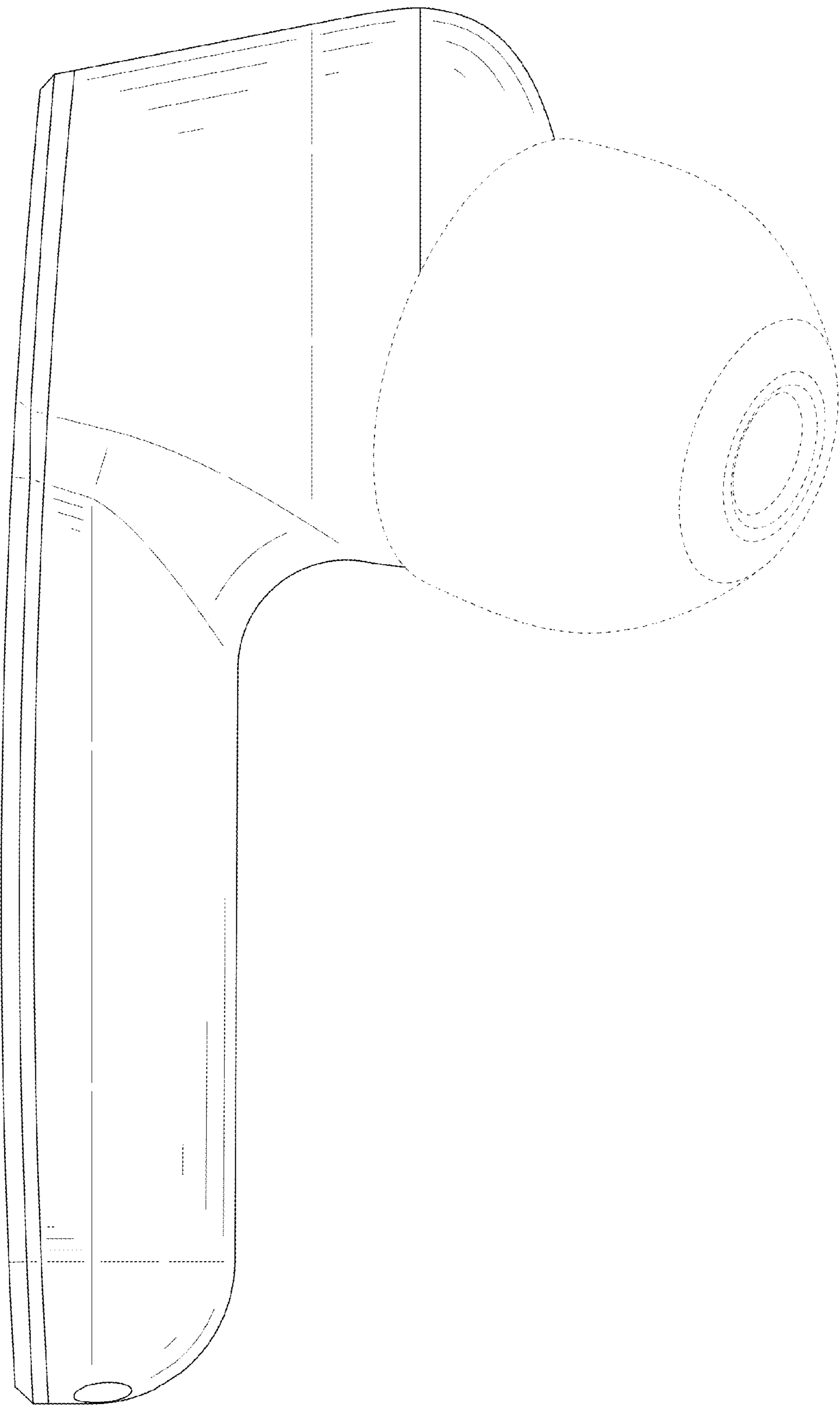


FIG. 6

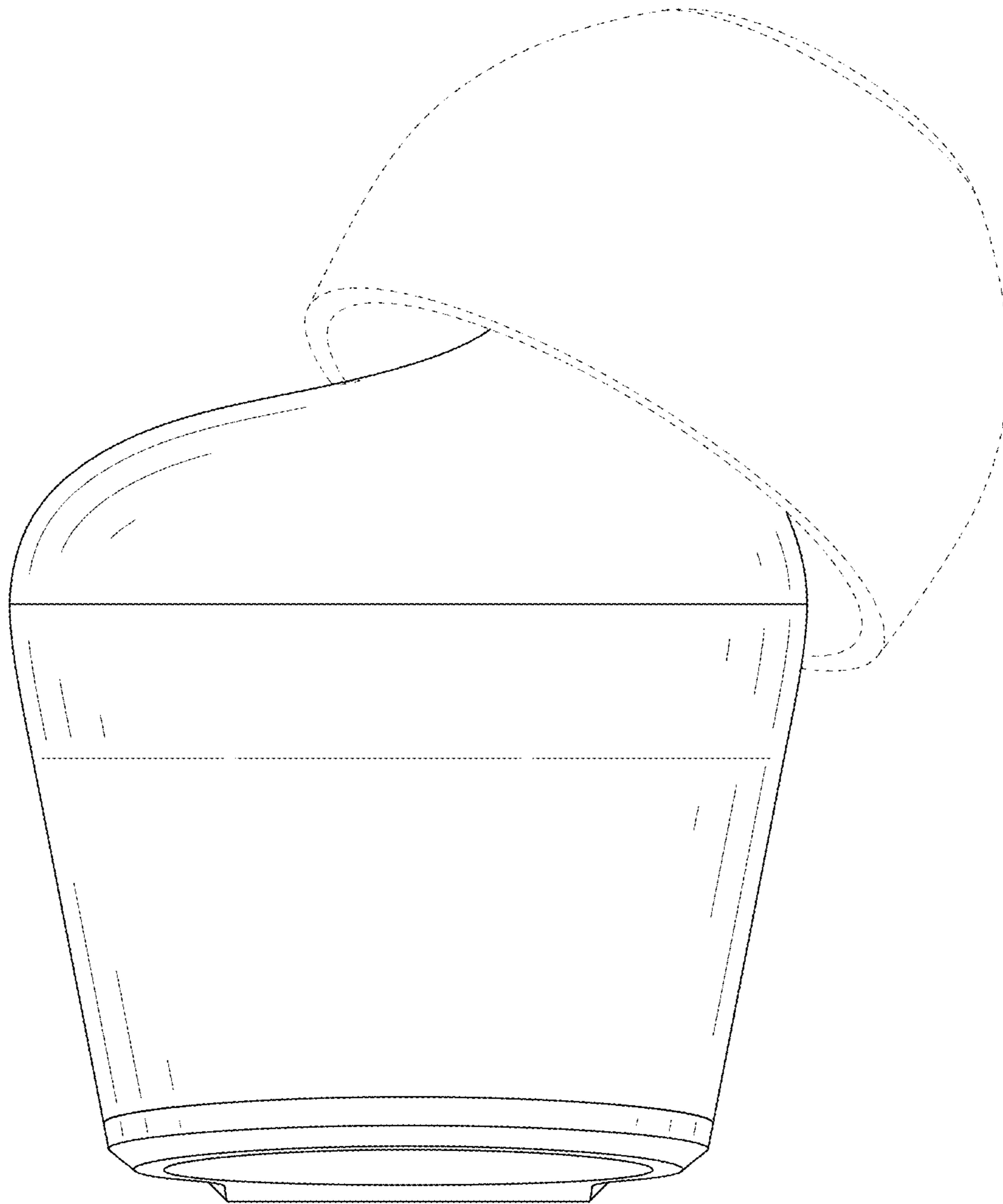


FIG. 7

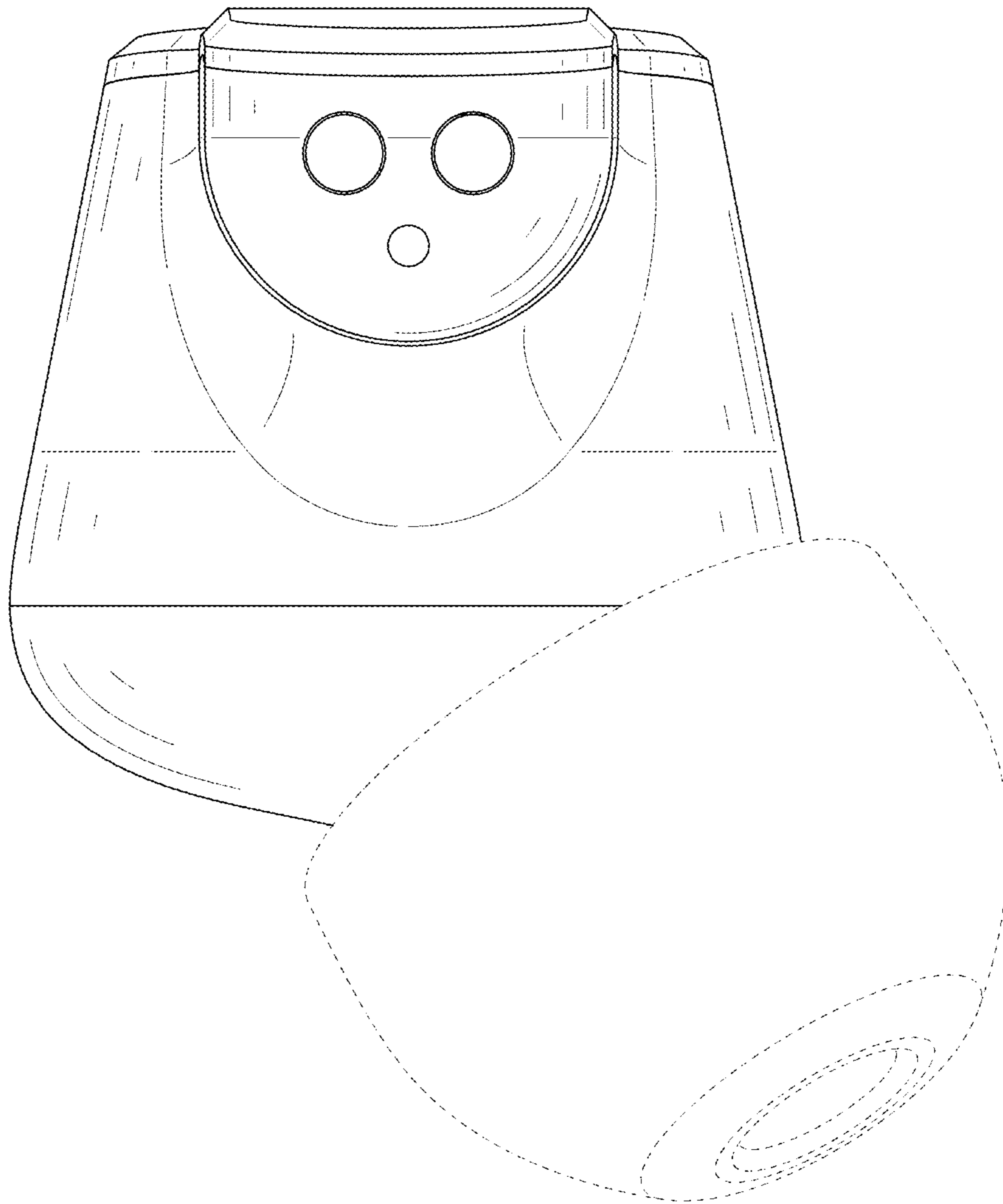


FIG. 8

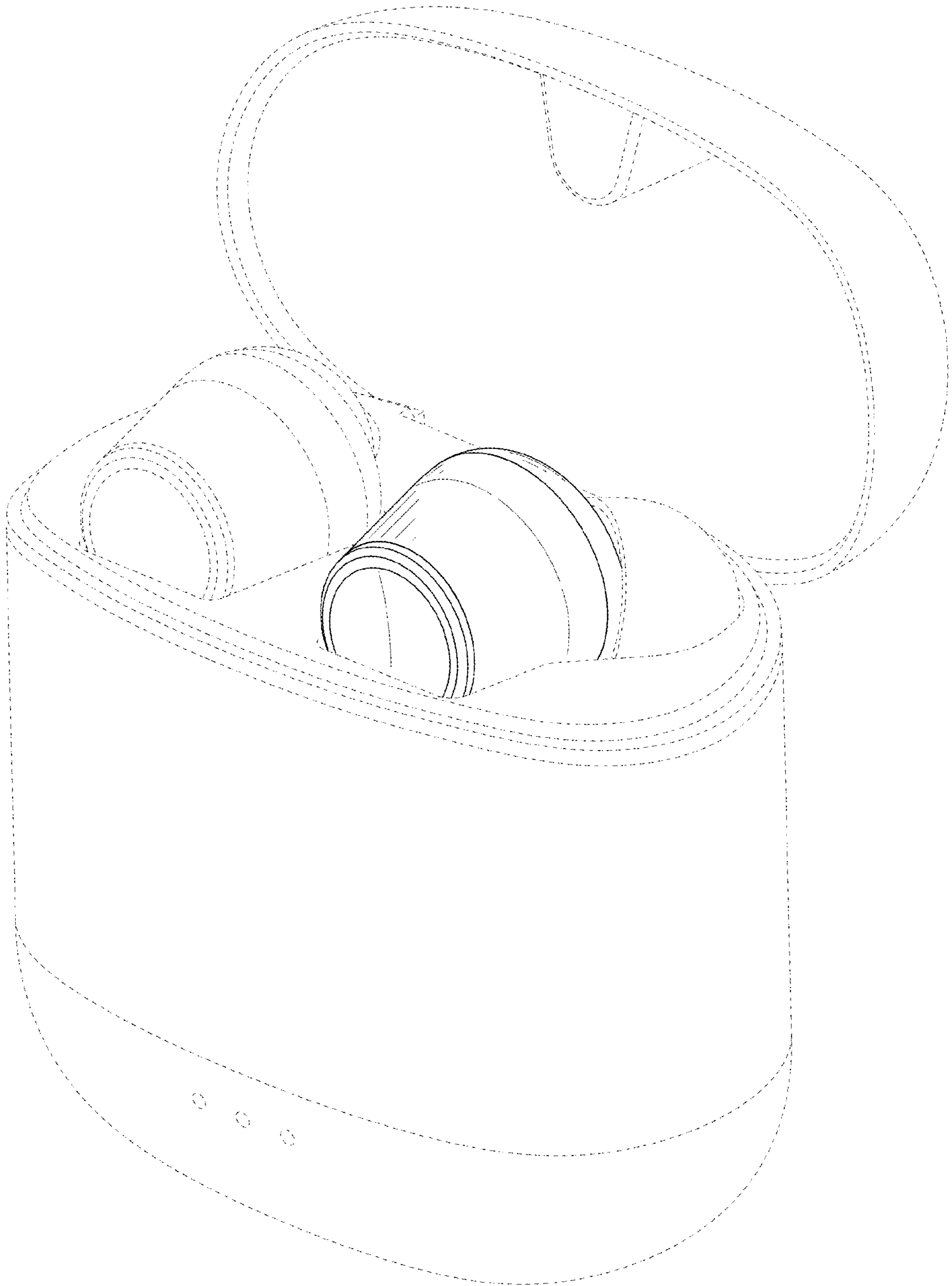


FIG. 9