



US00D920287S

(12) **United States Design Patent**
Klinger et al.

(10) **Patent No.:** **US D920,287 S**

(45) **Date of Patent:** **** May 25, 2021**

(54) **SET OF PRENATAL EARBUD ADAPTERS**

(71) Applicant: **MBRIO Technologies LLC**, Cleveland, OH (US)

(72) Inventors: **Jonathan Klinger**, Cleveland, OH (US); **Julianne Hope Leibsohn**, Cleveland, OH (US)

(73) Assignee: **MBRIO Technologies LLC**, Cleveland, OH (US)

(**) Term: **15 Years**

(21) Appl. No.: **29/690,362**

(22) Filed: **May 7, 2019**

(51) **LOC (13) Cl.** **14-01**

(52) **U.S. Cl.**
USPC **D14/223; D14/224.1**

(58) **Field of Classification Search**
USPC D14/205, 223, 192, 188, 229, 225, 240, D14/242, 433, 137, 159, 218, 217, 191, D14/224.1, 224; D24/174, 187, 168, 173, D24/182; D6/328; D3/201, 218, 226; 381/385, 380, 370, 333, 109, 60; 455/90.3, 575.1, 569.1, 575.9, 575.2; 600/27, 28, 390, 393, 509, 391, 511, 453,
(Continued)

(56) **References Cited**

U.S. PATENT DOCUMENTS

D149,704 S * 5/1948 Stone et al. D14/225
4,070,553 A * 1/1978 Hass H04M 1/05
381/151

(Continued)

FOREIGN PATENT DOCUMENTS

KR 301077818.0000 * 5/2019

OTHER PUBLICATIONS

Bellytunes Prenatal Pregnant Earbuds Adapter System Image, available at least as early as Dec. 20, 2016, 1 page.

(Continued)

Primary Examiner — Paula Allen Greene

(74) *Attorney, Agent, or Firm* — Fish & Richardson P.C.

(57) **CLAIM**

The ornamental design for set of prenatal earbud adapters, as shown and described.

DESCRIPTION

FIG. 1 is a perspective front view of a first embodiment of a set of prenatal earbud adapters illustrating left and right adapters.

FIG. 2 is a perspective rear view of one adapter thereof.

FIG. 3 is a front view thereof.

FIG. 4 is a rear view thereof.

FIG. 5 is a right side view thereof.

FIG. 6 is a left side view thereof.

FIG. 7 is a top view thereof.

FIG. 8 is a bottom view thereof.

FIG. 9 is a perspective view of the set of prenatal earbud adapters thereof.

FIG. 10 is a perspective view of a second embodiment of a set of prenatal earbud adapters illustrating a single adapter that can be used as either a left or right adapter.

FIG. 11 is a perspective rear view of FIG. 10 thereof.

FIG. 12 is a front view thereof.

FIG. 13 is a rear view thereof.

FIG. 14 is a right side view thereof.

FIG. 15 is a left side view thereof.

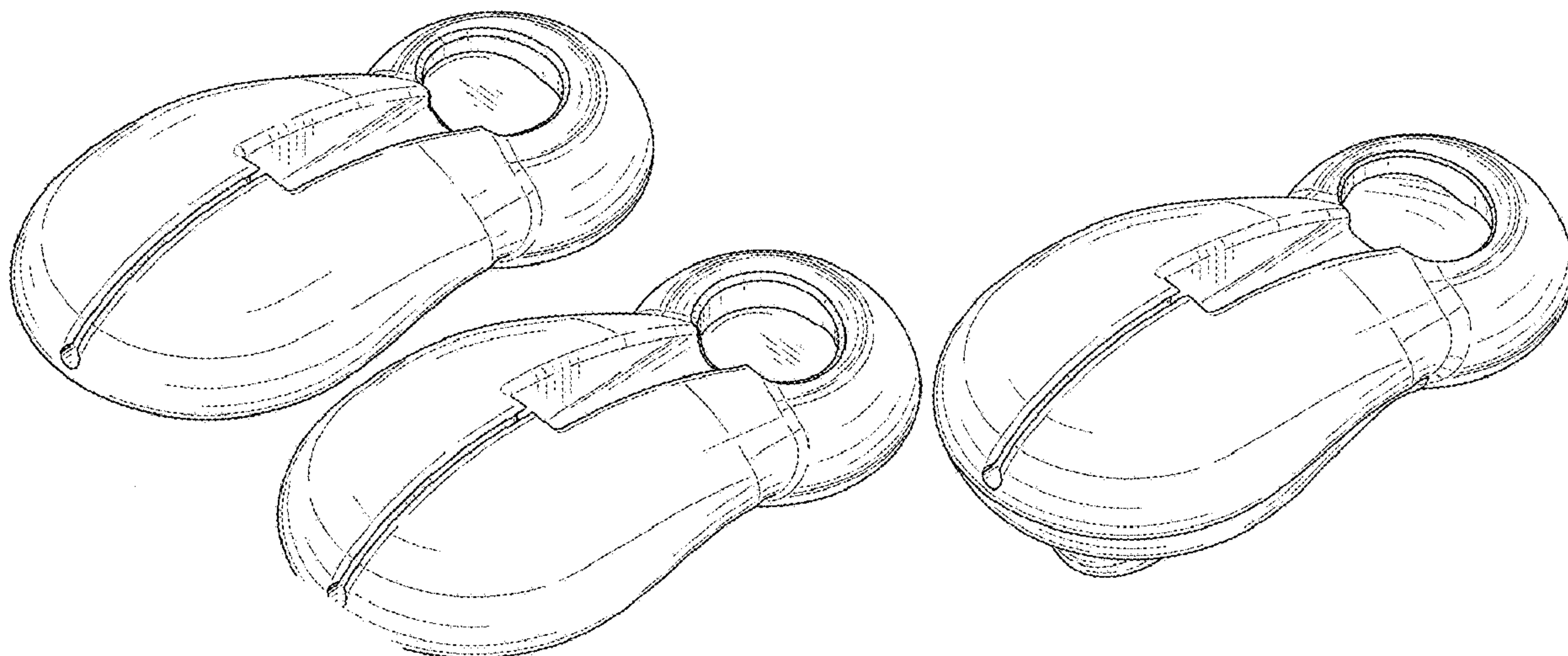
FIG. 16 is a top view thereof.

FIG. 17 is a bottom view thereof; and,

FIG. 18 is a perspective view of the set of prenatal earbud adapters thereof.

The broken lines depict environment that forms no part of the claimed design.

1 Claim, 10 Drawing Sheets



(58) **Field of Classification Search**

USPC 600/385; 379/443, 420, 430; 224/196;
 D8/395, 356; D10/106.1; 242/400.1,
 242/405.1; 361/807
 CPC H04R 29/00; H04R 1/10; H04R 25/00;
 H04R 25/02; H04R 1/1016; H04R
 1/1066; H04R 5/033; H04R 5/0335;
 A61B 5/04; A61B 5/0444; B65H 75/44;
 H05K 5/02
 See application file for complete search history.

(56) **References Cited**

U.S. PATENT DOCUMENTS

D266,242 S * 9/1982 Radzelovage D14/225
 4,754,484 A * 6/1988 Larkin H04M 1/05
 379/419
 4,934,998 A * 6/1990 Thomas, Jr. A61B 8/0866
 600/27
 D314,964 S * 2/1991 Chung D14/188
 D316,550 S * 4/1991 Sogabe D14/168
 5,109,421 A * 4/1992 Fox G09B 19/00
 381/333
 D355,915 S * 2/1995 Chan D14/225
 D360,948 S * 8/1995 Mostardo D24/174
 D360,949 S * 8/1995 Mostardo D24/174
 5,491,756 A * 2/1996 Francai
 5,594,314 A * 1/1997 Hagiuda H01M 10/46
 320/110
 D377,796 S * 2/1997 Hayashi D14/206
 5,712,453 A * 1/1998 Bungardt H04R 1/105
 181/135
 D391,576 S * 3/1998 Mullin D14/223
 5,832,098 A * 11/1998 Chen H04M 1/05
 381/370
 D405,528 S * 2/1999 Shennib D24/174
 D419,556 S * 1/2000 Haney D14/192
 D420,004 S * 2/2000 Haney D14/192
 6,122,369 A * 9/2000 Hwang H04M 1/6058
 379/420.04
 D433,005 S * 10/2000 McGugan D14/142
 6,154,546 A * 11/2000 Uvacek
 D448,359 S * 9/2001 Do D14/223
 D456,692 S * 5/2002 Epstein D8/356
 6,438,248 B1 * 8/2002 Kamimura H04M 1/05
 381/374
 D464,945 S * 10/2002 Bosch D14/206
 D465,472 S * 11/2002 Bosch D14/206
 D470,833 S * 2/2003 Rath D14/205
 D481,377 S * 10/2003 Eguchi D14/223
 D486,478 S * 2/2004 Swan D14/223
 6,718,044 B1 * 4/2004 Alleyne
 D493,175 S * 7/2004 Schmidt D13/110
 D499,397 S * 12/2004 Hlas D14/223
 6,912,291 B2 * 6/2005 Huang H04R 1/10
 381/374
 D511,157 S * 11/2005 Johnson D14/223
 D514,094 S * 1/2006 Griffin D14/223
 D517,052 S * 3/2006 Skulley D14/223
 D518,477 S * 4/2006 Chen D14/205
 7,086,512 B2 * 8/2006 Shack H04M 1/15
 191/12 R
 D532,110 S * 11/2006 Bailey D24/174
 7,162,280 B2 * 1/2007 Fukuda H04M 1/03
 455/575.1
 7,181,035 B2 * 2/2007 van Halteren H04R 25/65
 381/322
 D539,272 S * 3/2007 Kaner D14/225
 D548,960 S * 8/2007 Tages D3/218
 D550,216 S * 9/2007 Allen D14/230
 D551,216 S * 9/2007 Wei D14/223
 D552,087 S * 10/2007 Wei D14/223
 7,289,640 B2 * 10/2007 Tsai H04M 1/05
 379/430

D558,740 S * 1/2008 Jaakkola D14/223
 D566,106 S * 4/2008 Kim D14/223
 D566,107 S * 4/2008 Bowling D14/205
 D576,612 S * 9/2008 Wilson D14/225
 D583,362 S * 12/2008 Hsu D14/205
 D583,804 S * 12/2008 Mahler D14/223
 D584,960 S * 1/2009 Sherwood D9/686
 D587,682 S * 3/2009 Miles D14/205
 D588,584 S * 3/2009 Park D14/226
 D590,371 S * 4/2009 Leinvuo D14/205
 D593,546 S * 6/2009 Tkachuk D14/223
 7,557,533 B2 * 7/2009 Yang H02J 7/0042
 320/107
 D608,767 S * 1/2010 Liner D14/225
 7,664,540 B2 * 2/2010 Tsai H04M 1/15
 455/575.2
 D613,273 S * 4/2010 Liner D14/223
 7,746,028 B1 * 6/2010 Yang H04M 1/05
 320/107
 D635,125 S * 3/2011 Nousiainen D14/223
 D635,961 S * 4/2011 Gidden D14/223
 D637,584 S * 5/2011 Peller D14/223
 D640,241 S * 6/2011 Wai D14/223
 D641,009 S * 7/2011 Olodort D14/223
 D656,924 S * 4/2012 Mehlsen D14/226
 8,167,102 B2 * 5/2012 Skillman B65H 75/143
 191/12.2 R
 D662,087 S * 6/2012 Peller D14/223
 8,194,891 B2 * 6/2012 Godart
 D684,849 S * 6/2013 Bylsma D8/395
 D688,301 S * 8/2013 Ando D17/20
 D709,124 S * 7/2014 Ridinger D17/99
 D716,771 S * 11/2014 Burgett D14/223
 8,891,801 B1 * 11/2014 Leibsohn H04R 5/023
 381/385
 8,891,811 B2 * 11/2014 Alattar H04N 1/32288
 382/100
 8,892,181 B2 * 11/2014 Wolfberg A61B 5/6823
 600/391
 D719,553 S * 12/2014 Noto D14/226
 D751,558 S * 3/2016 Lee D14/432
 D777,711 S * 1/2017 Gray D14/223
 D795,844 S * 8/2017 Harper D14/224
 D796,844 S * 9/2017 Morszeck D3/321
 D798,838 S * 10/2017 DiTullo D14/214
 D809,462 S * 2/2018 Mizrahi D13/144
 D855,590 S * 8/2019 Qi D14/224
 D858,490 S * 9/2019 Qi D14/224
 D869,446 S * 12/2019 Bryant D14/225
 10,587,948 B1 * 3/2020 Leibsohn H04R 5/023
 2003/0027606 A1 * 2/2003 Tsai H04M 1/6066
 455/575.2
 2003/0040285 A1 * 2/2003 Whitley A45F 5/00
 455/575.1
 2008/0317274 A1 * 12/2008 Kim H04R 1/1058
 381/370
 2009/0274323 A1 * 11/2009 Godart
 2016/0270670 A1 * 9/2016 Oz A61B 5/02411

OTHER PUBLICATIONS

Bumpinbeats Pregnancy Speaker Image, available at least as early as Feb. 4, 2018, 1 page.
 Lullabelly Prenatal Music Belt Deluxe Package Image, available at least as early as Apr. 20, 2010.
 WavHello BellyBuds, Baby-Bump Headphones, Prenatal Bellyphones Pregnancy Speaker System Image, available at least as early as Feb. 3, 2016, 1 page.
 babyplus.com [Online], The Right Sounds at The Right Time Image, available on or before Aug. 2007, 1 page.
 babypod.net [Online], Music is life Image, available on or before Dec. 2015, 1 page.
 Pixie Tunes Premium High-Fidelity Baby Bump Speaker System Image, available on or before Apr. 2019, 1 page.

* cited by examiner

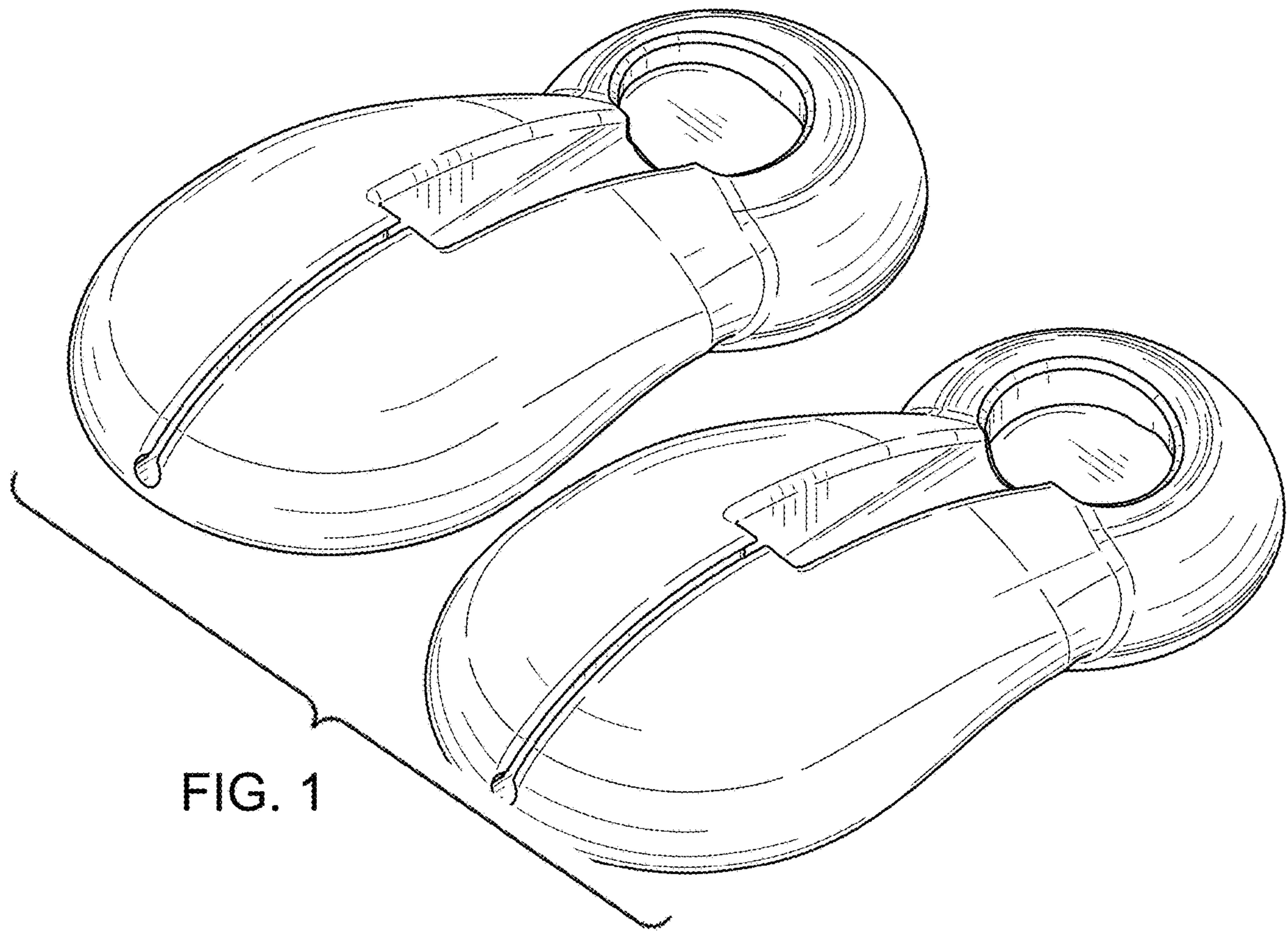


FIG. 1

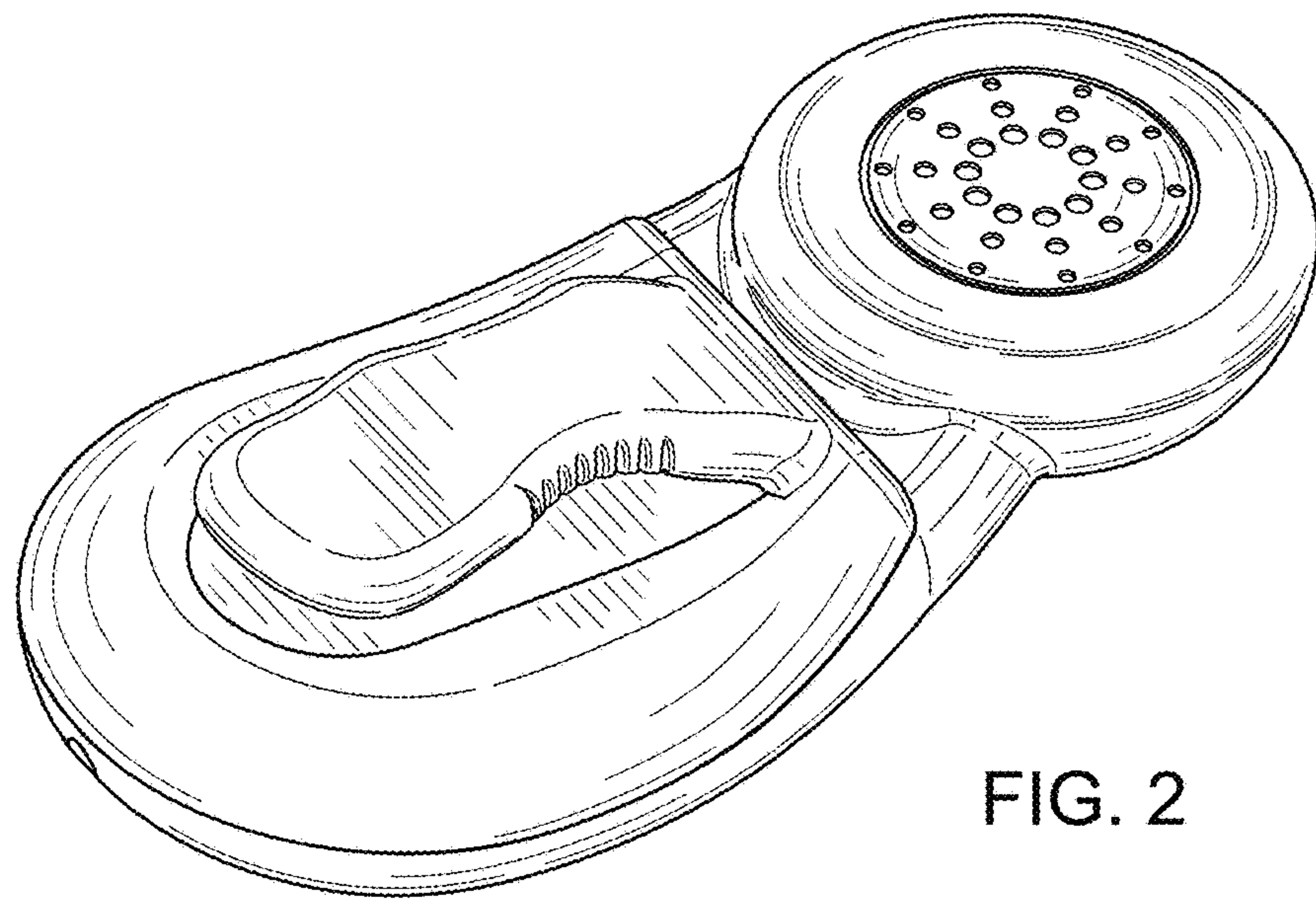


FIG. 2

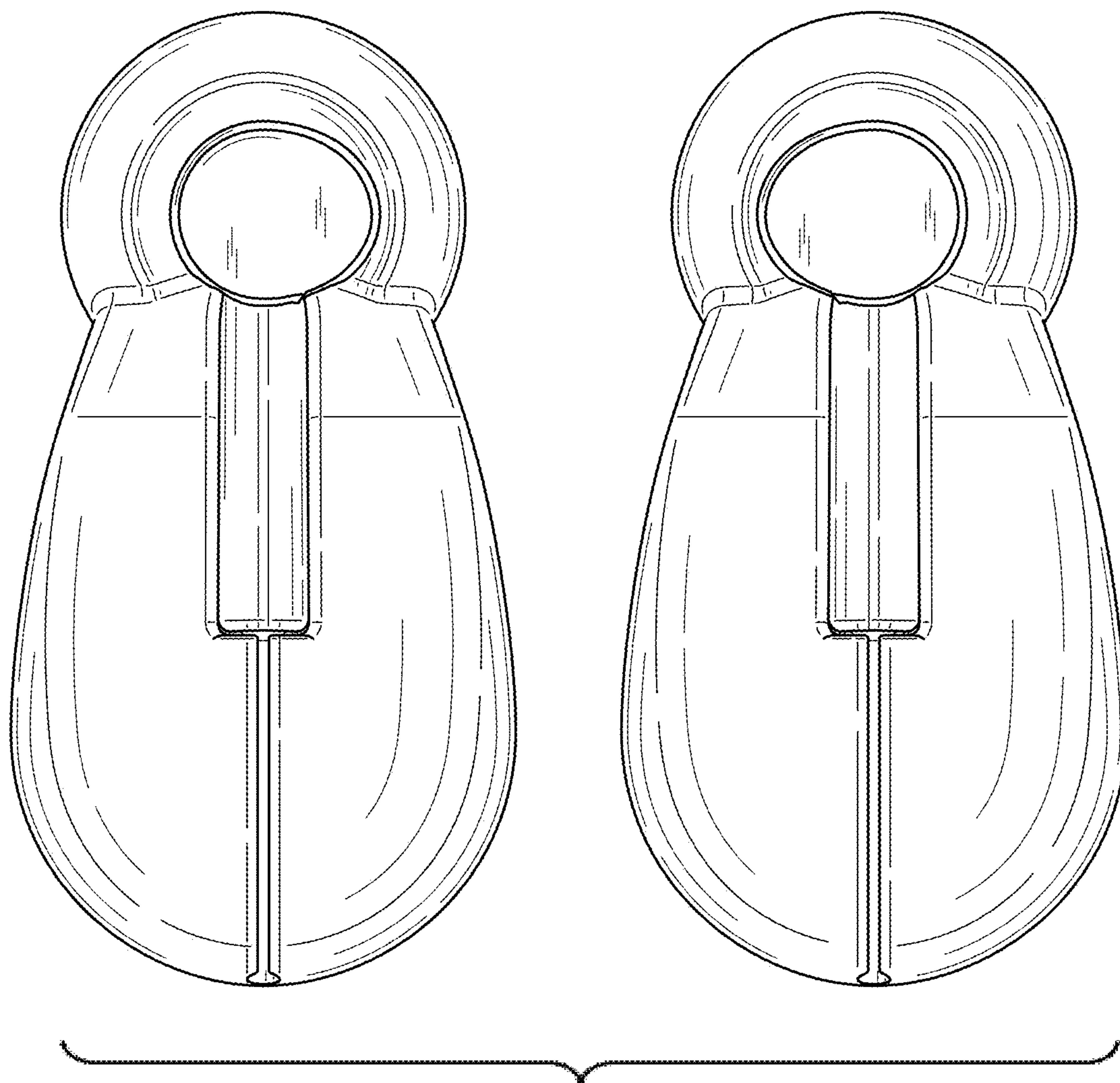


FIG. 3

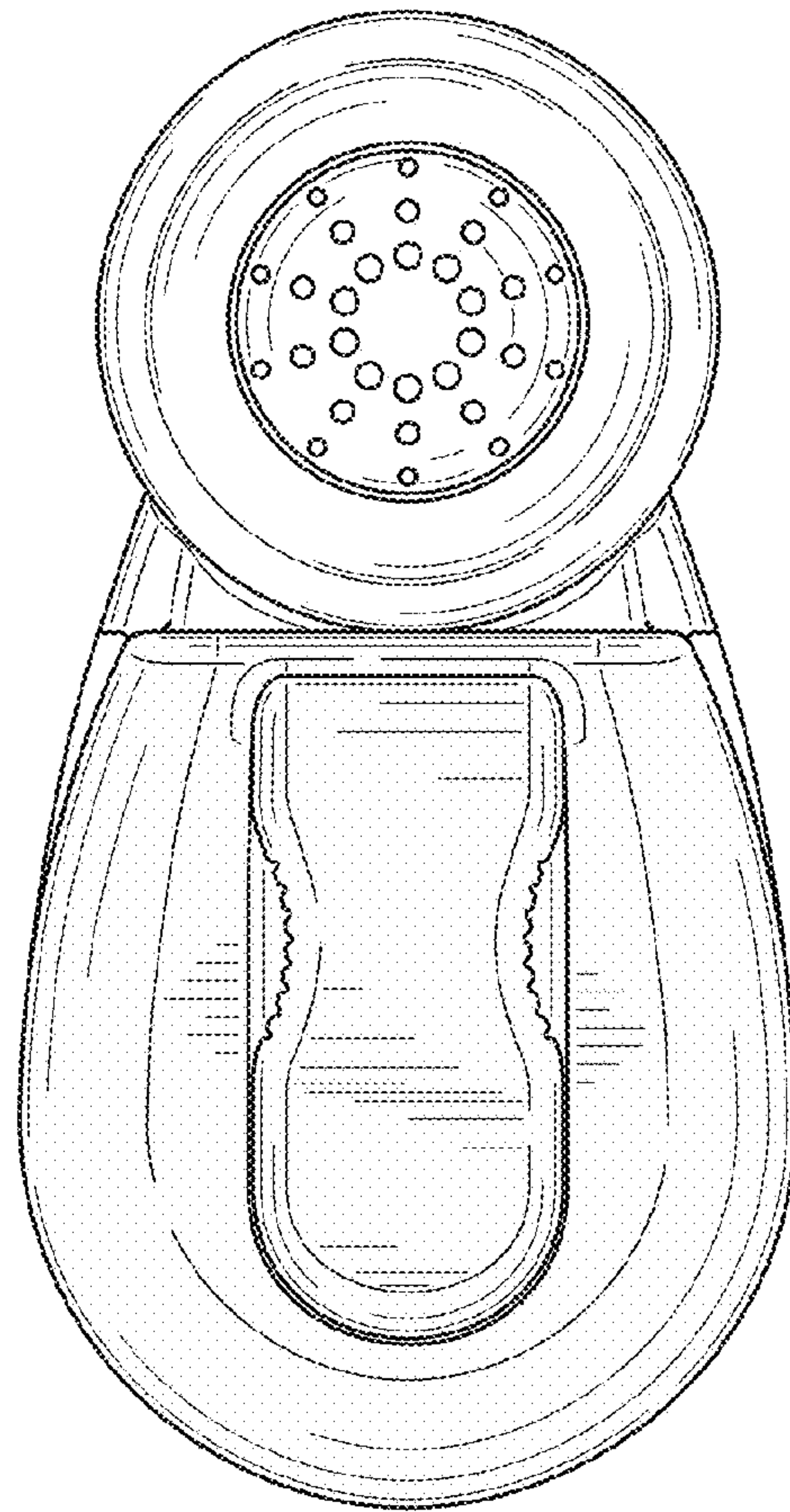


FIG. 4

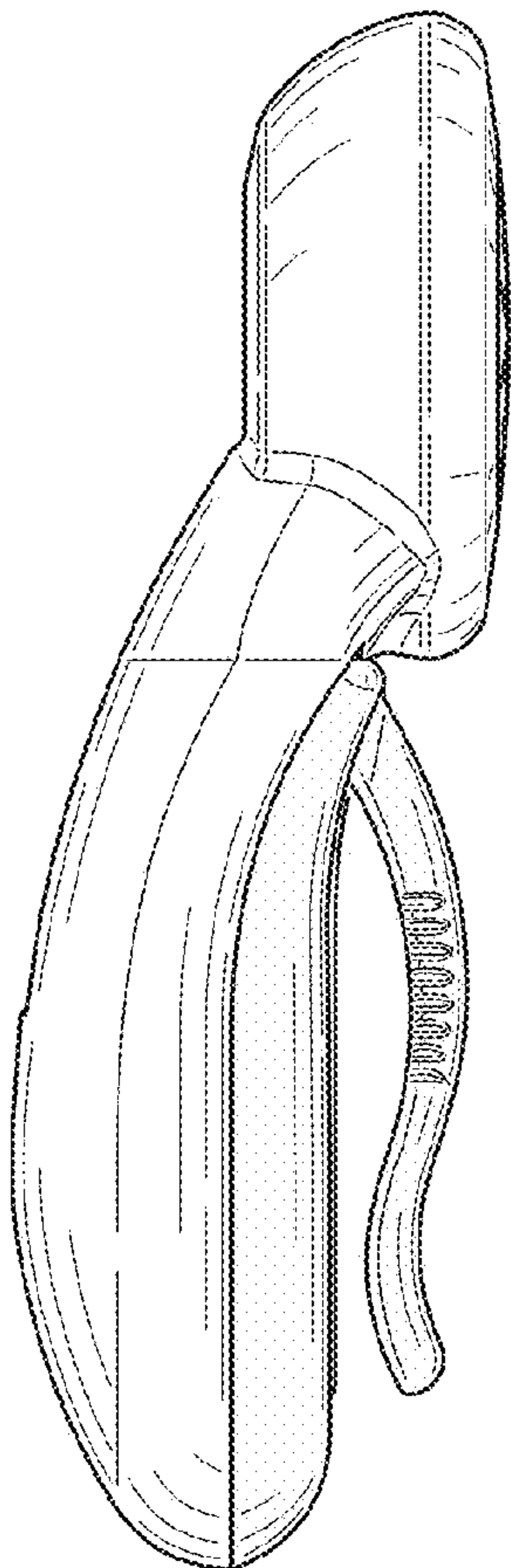


FIG. 5

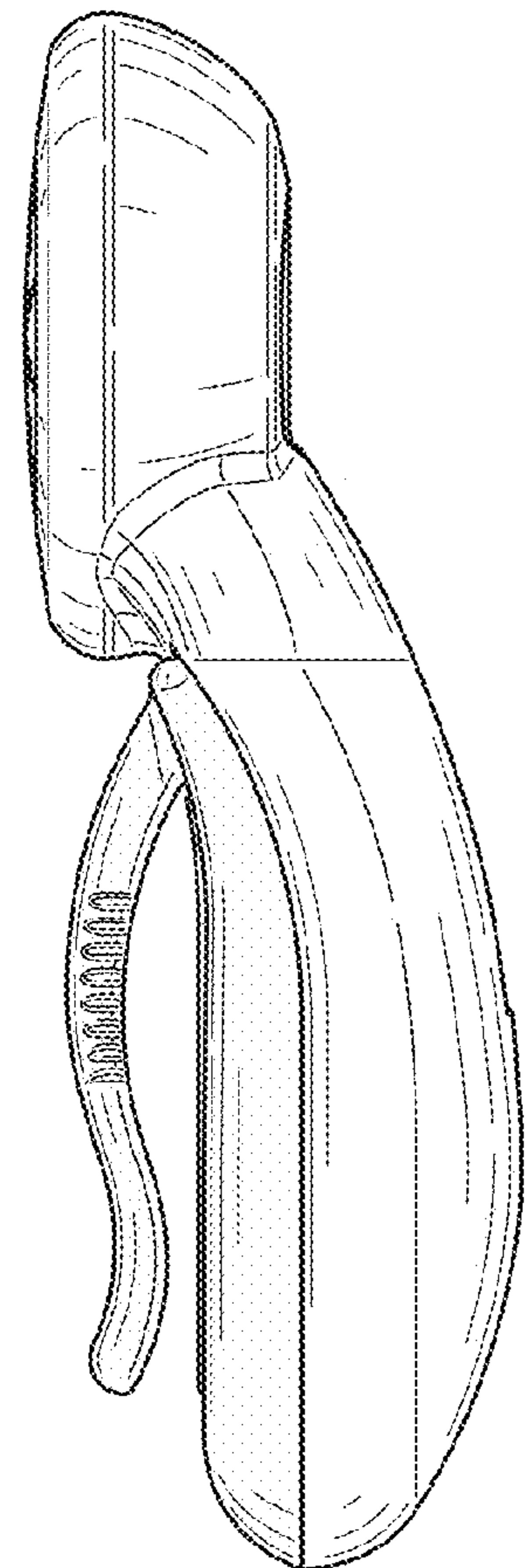


FIG. 6

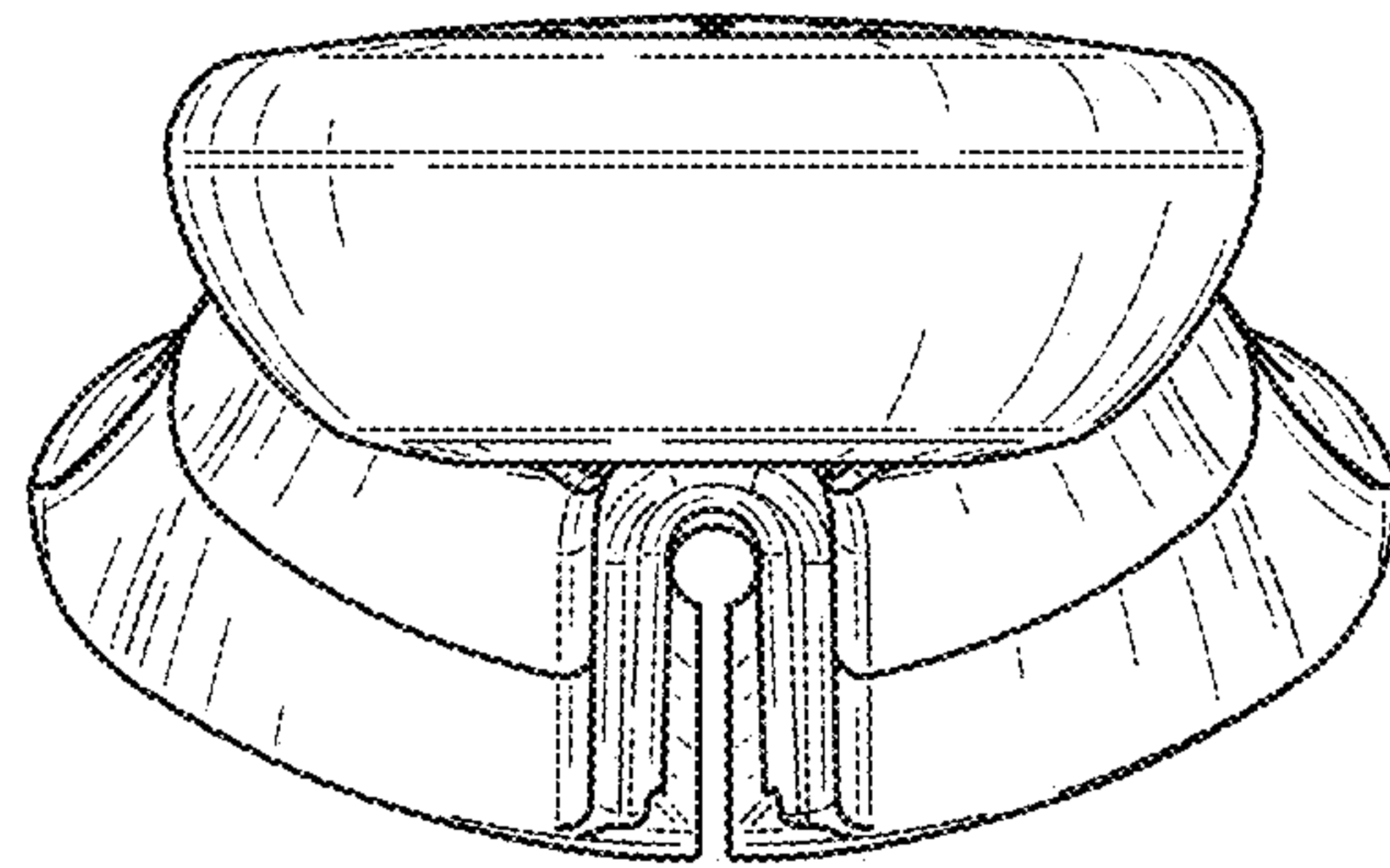


FIG. 7

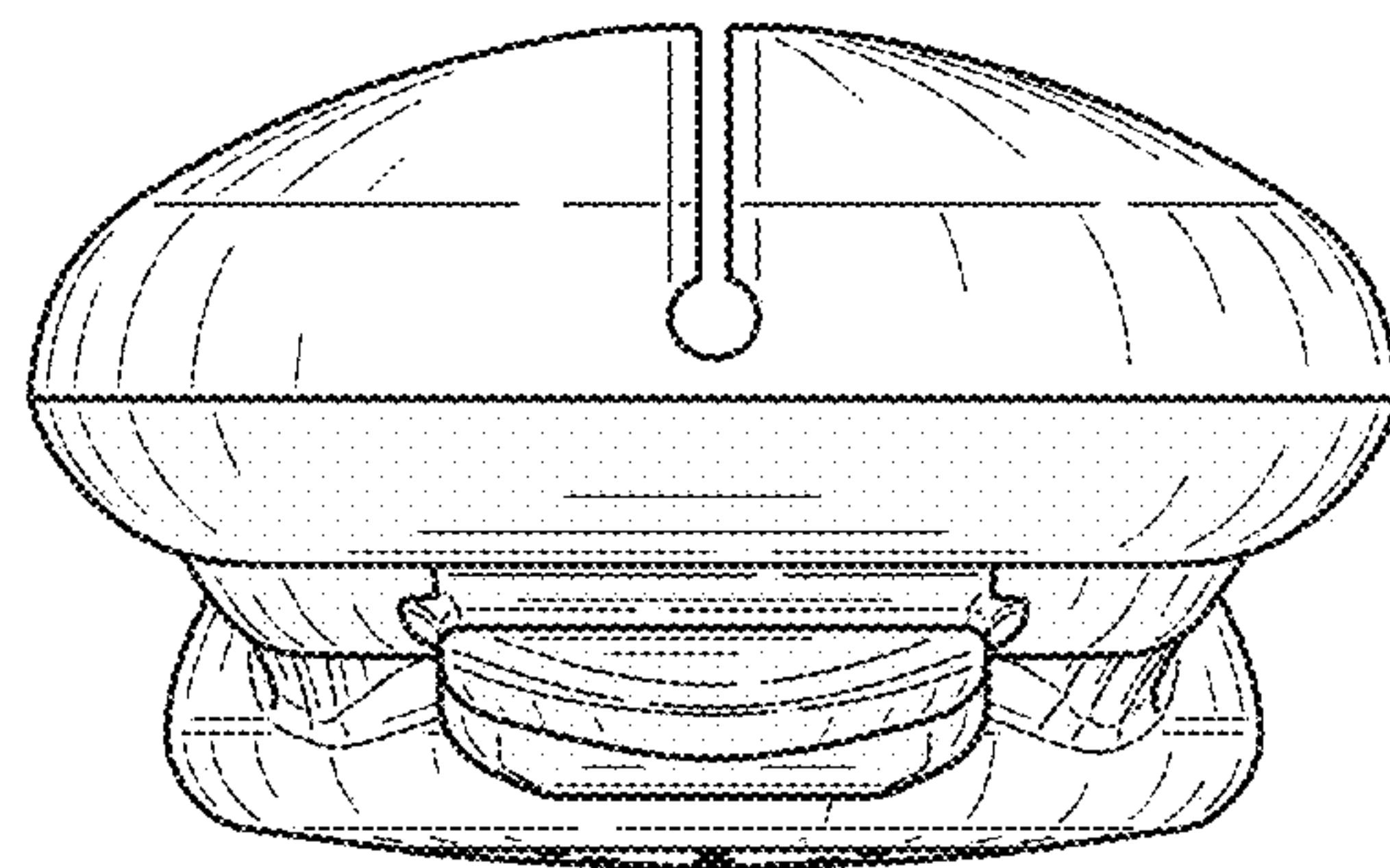


FIG. 8

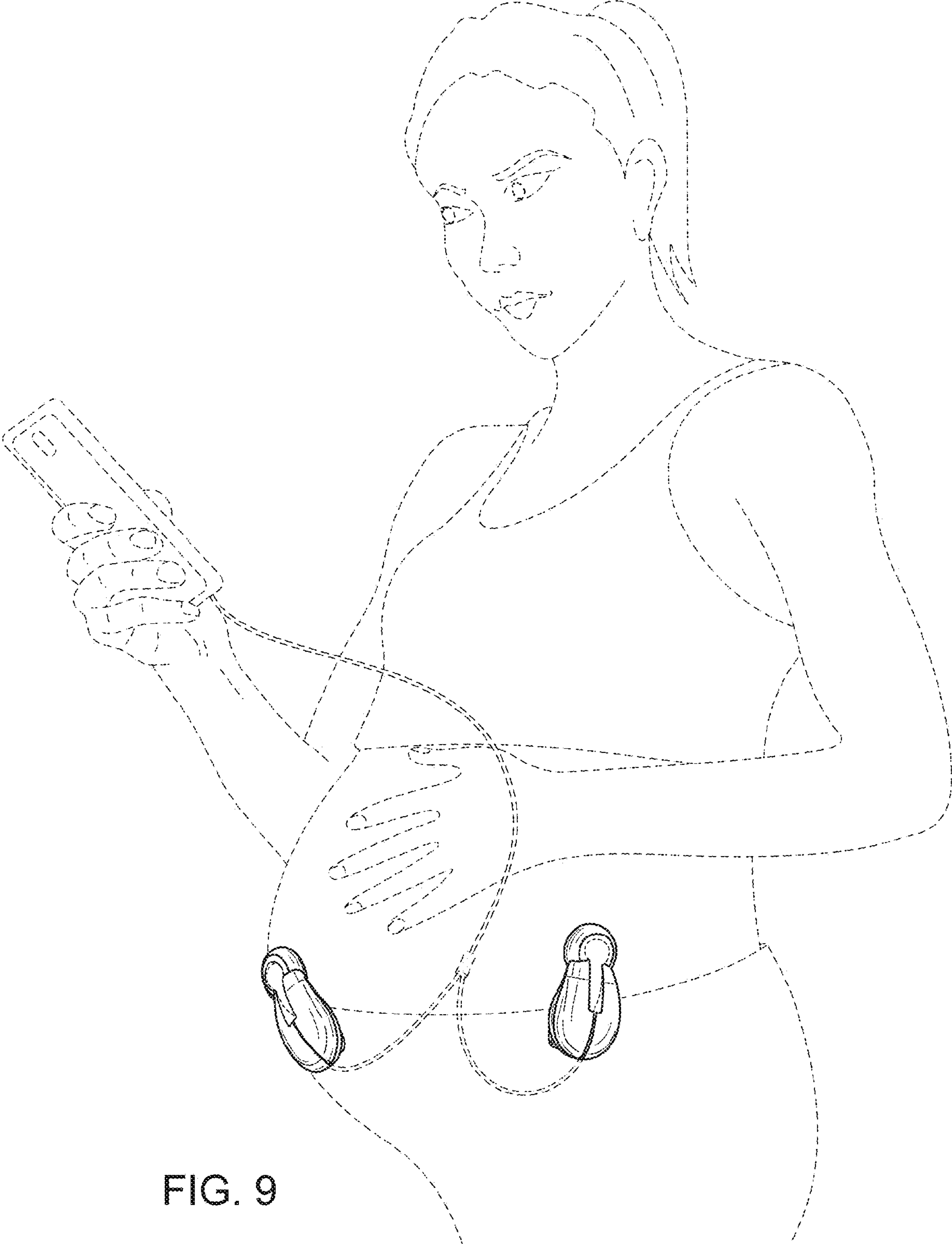


FIG. 9

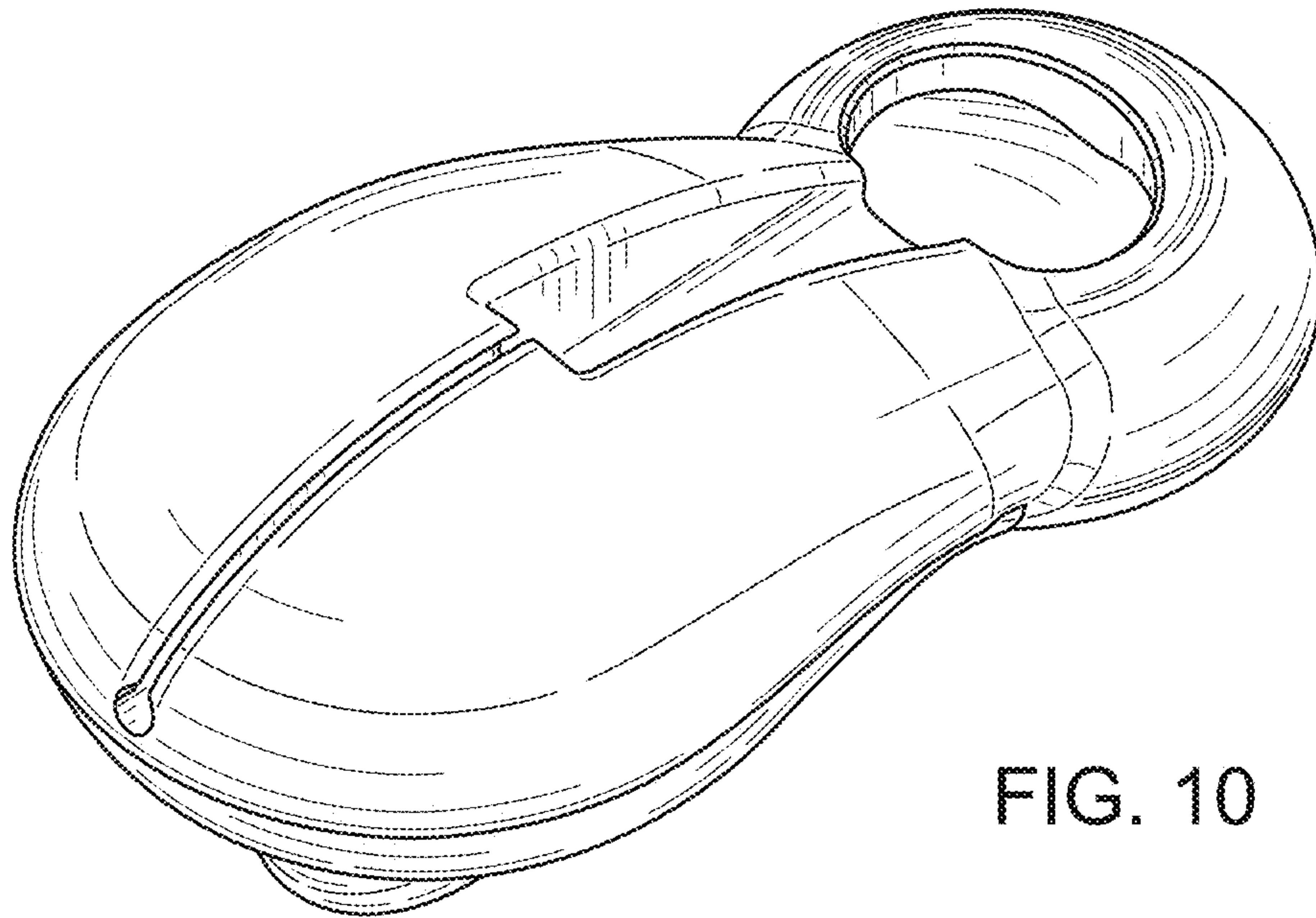


FIG. 10

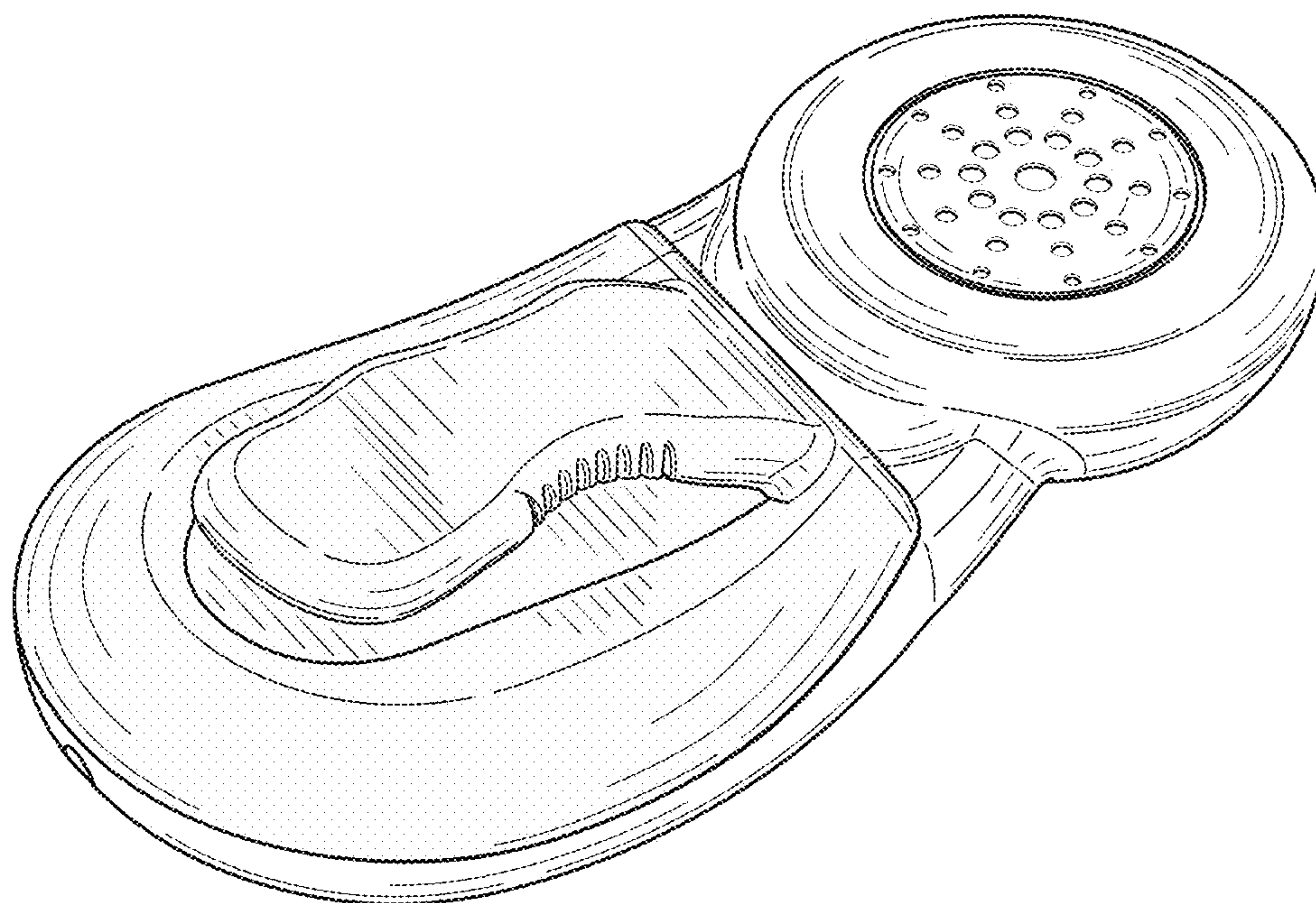


FIG. 11

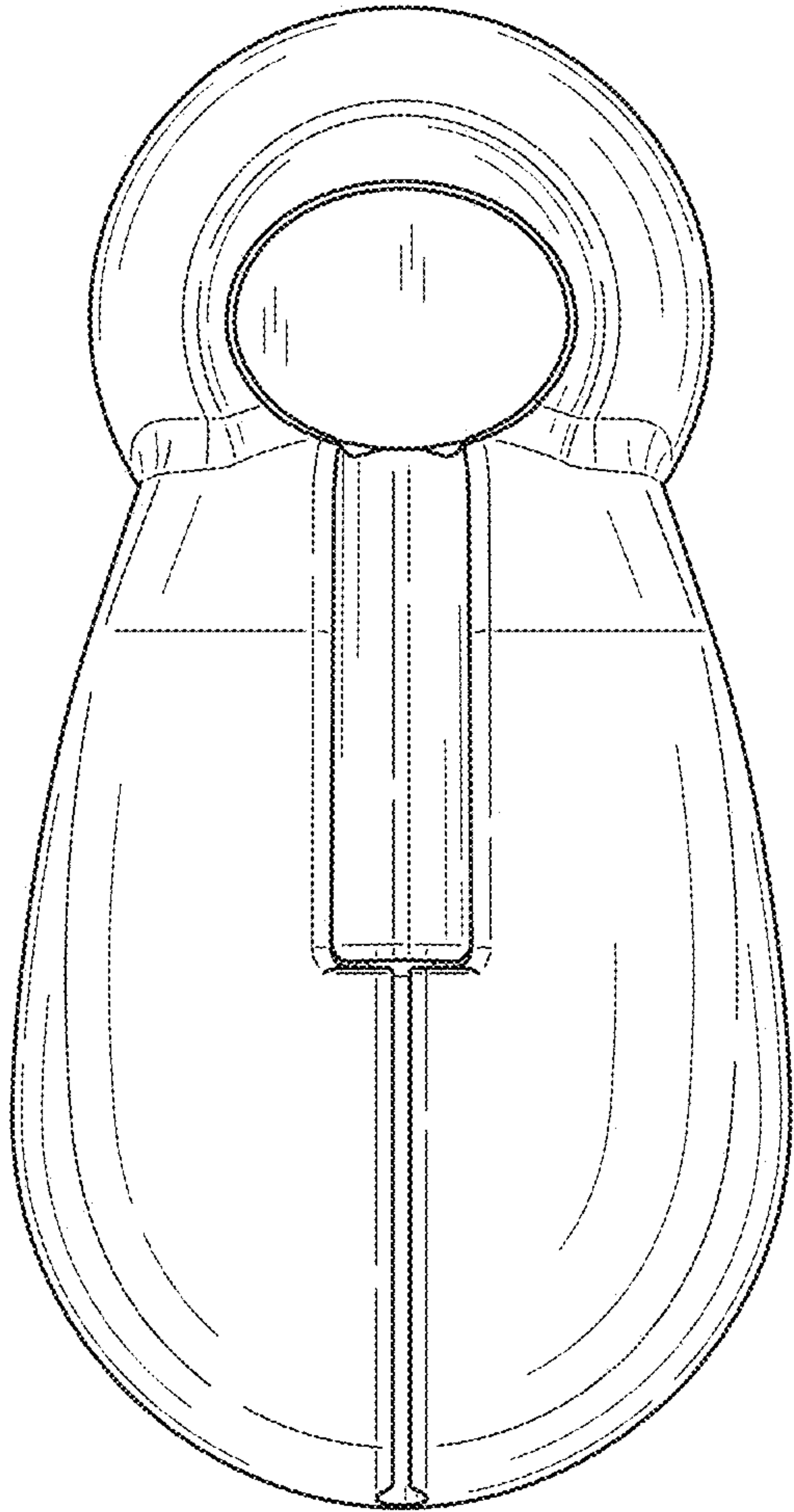


FIG. 12

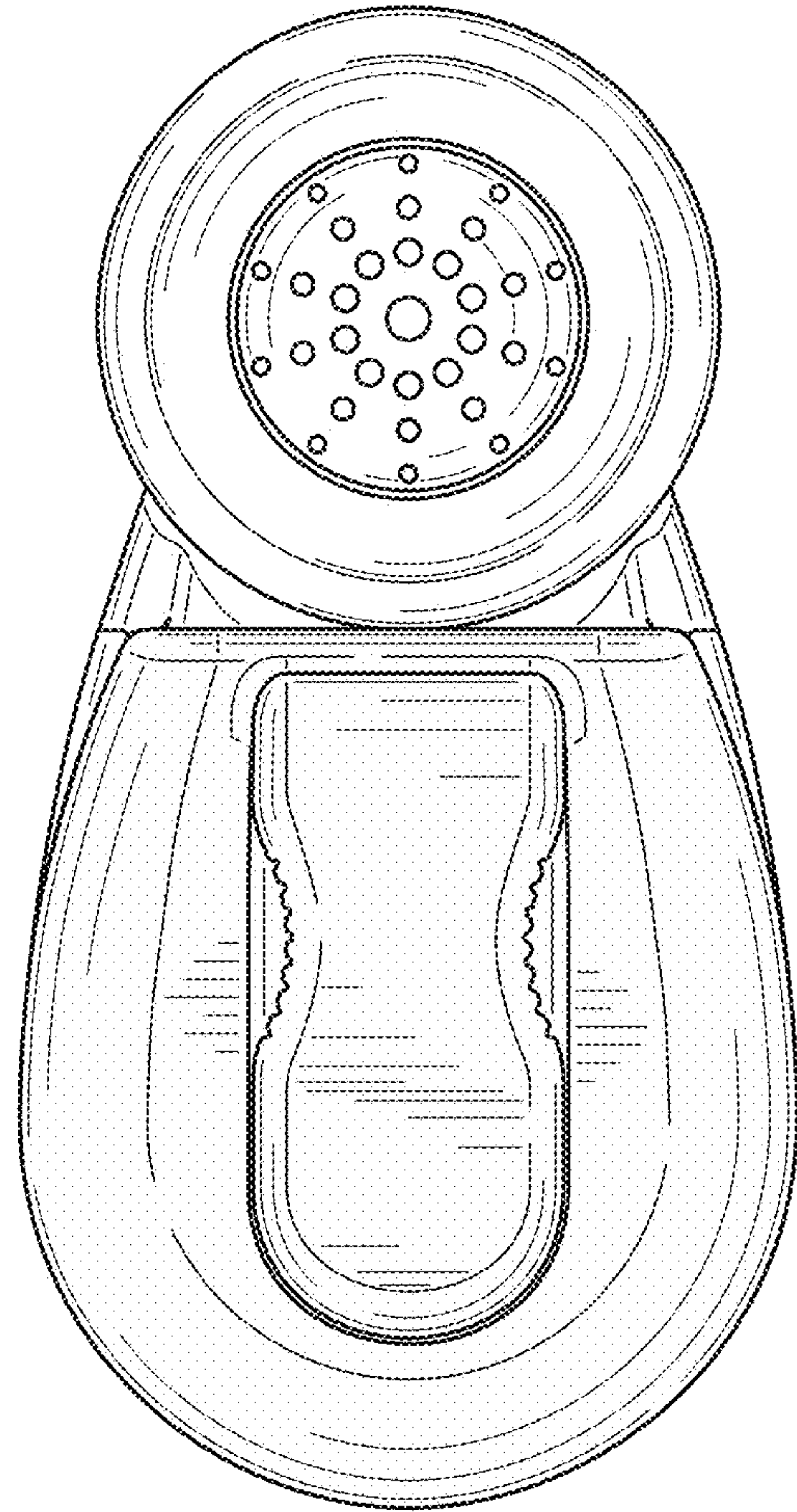


FIG. 13

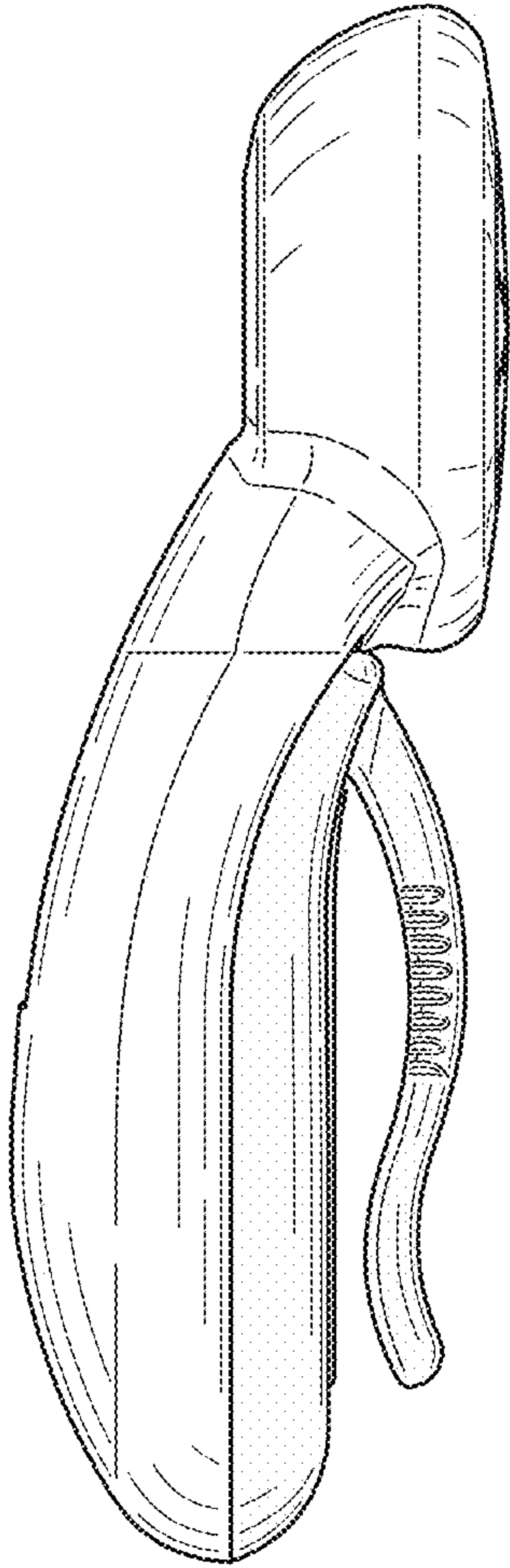


FIG. 14

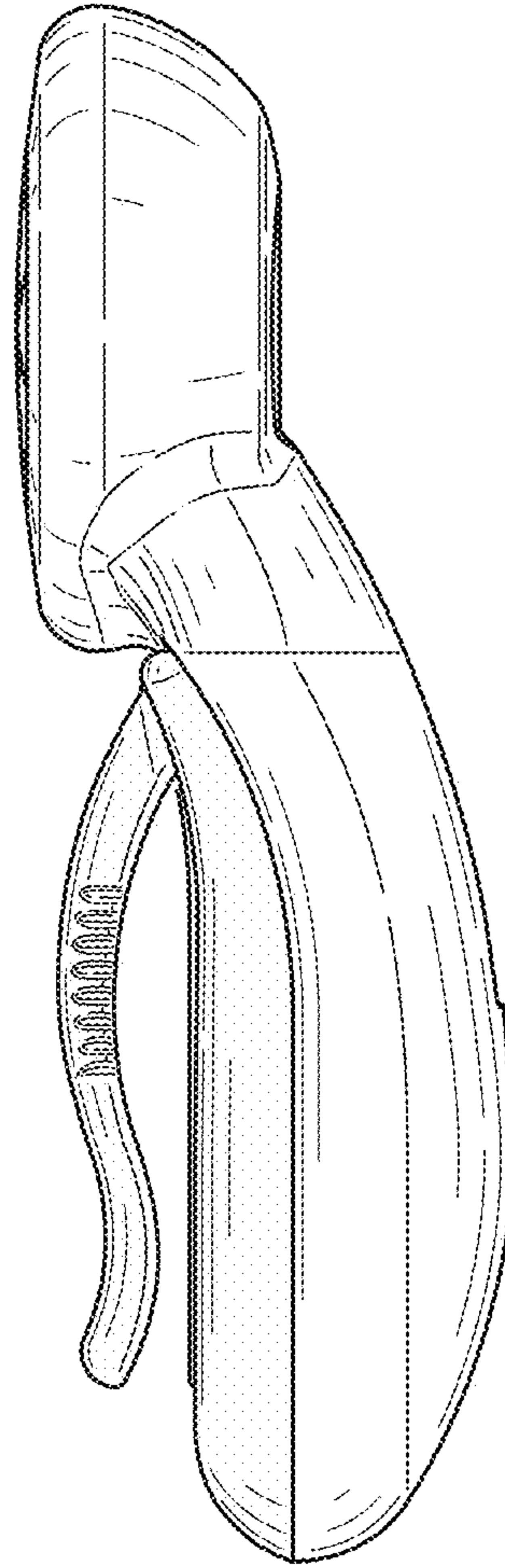


FIG. 15

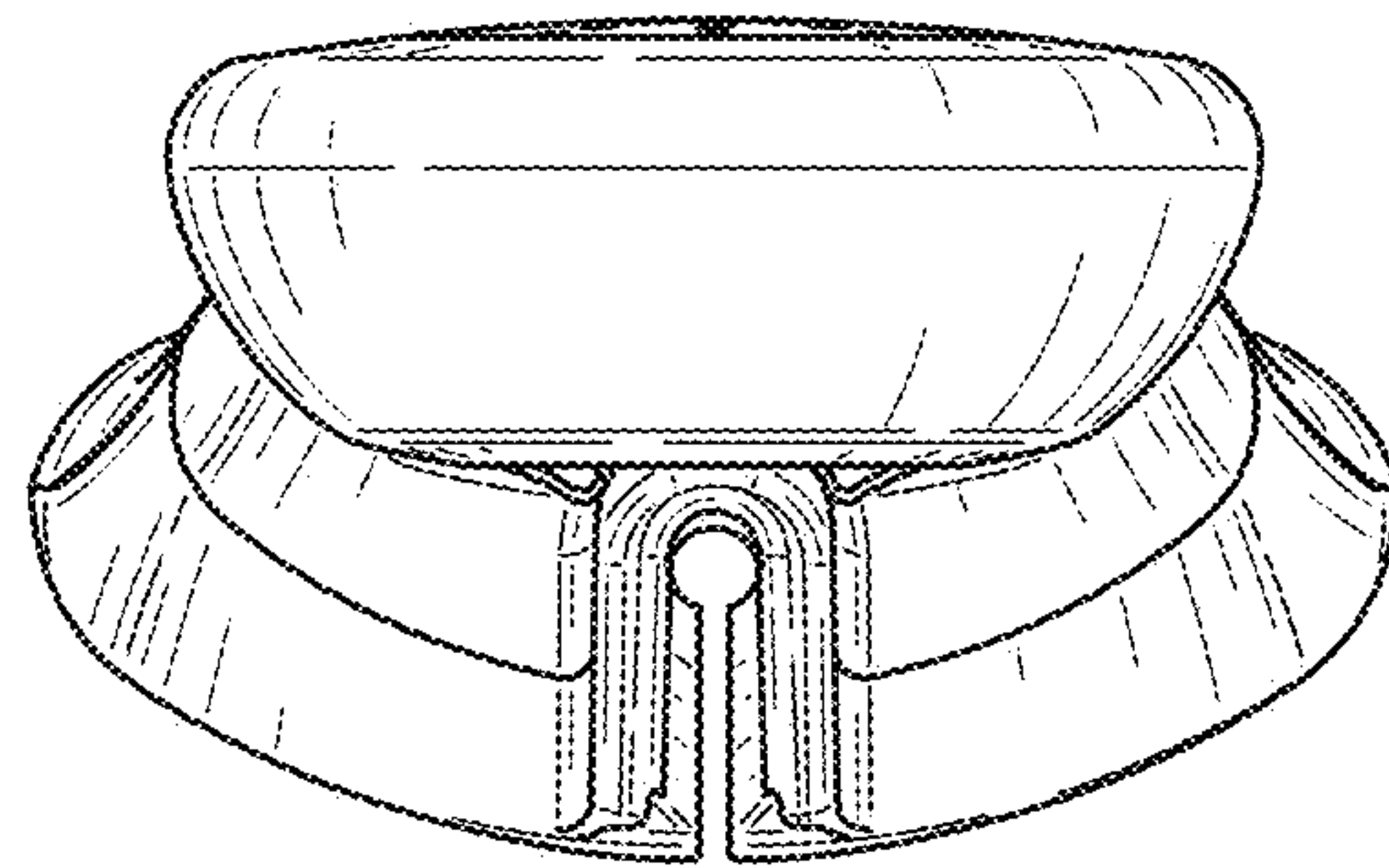


FIG. 16

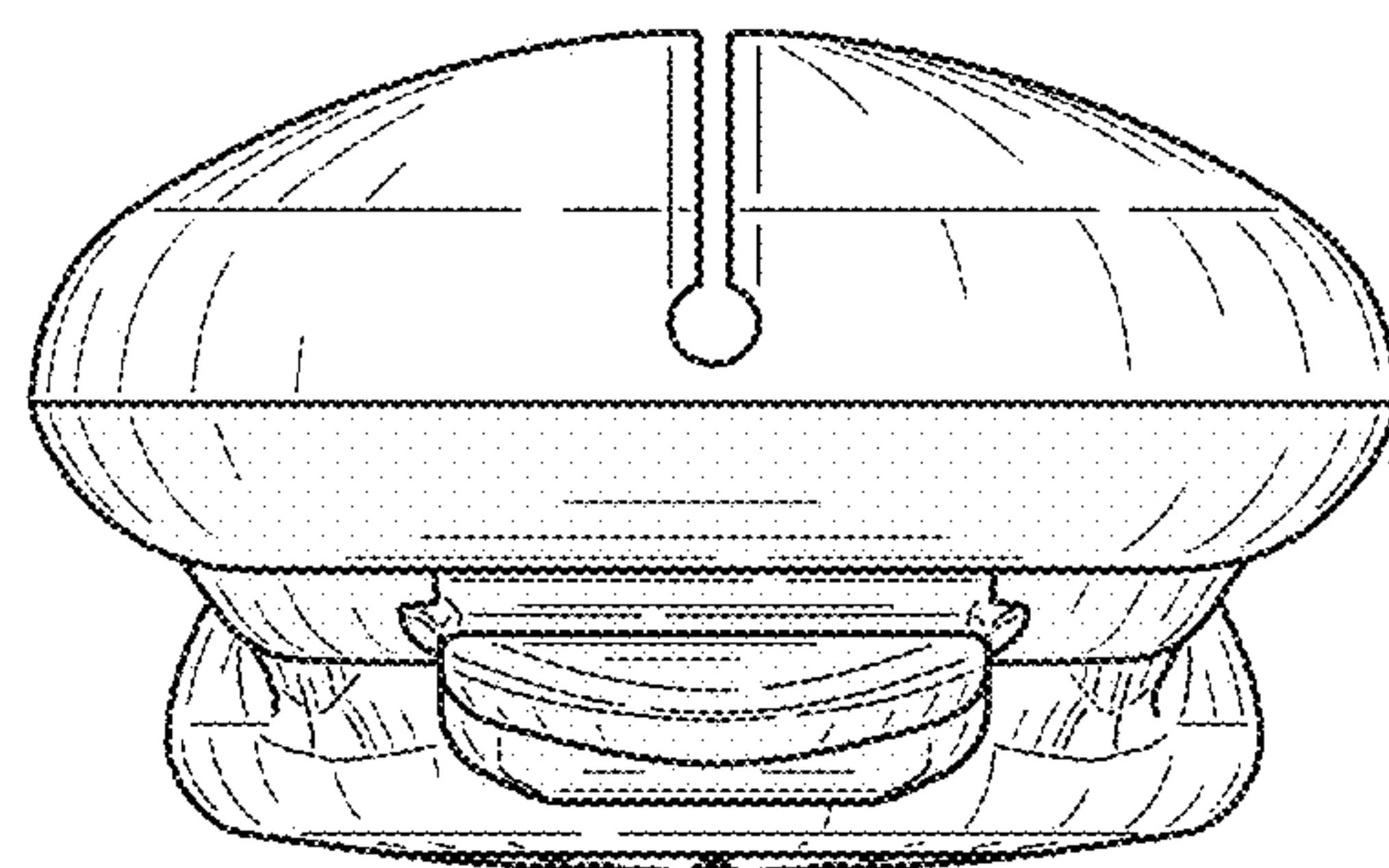


FIG. 17

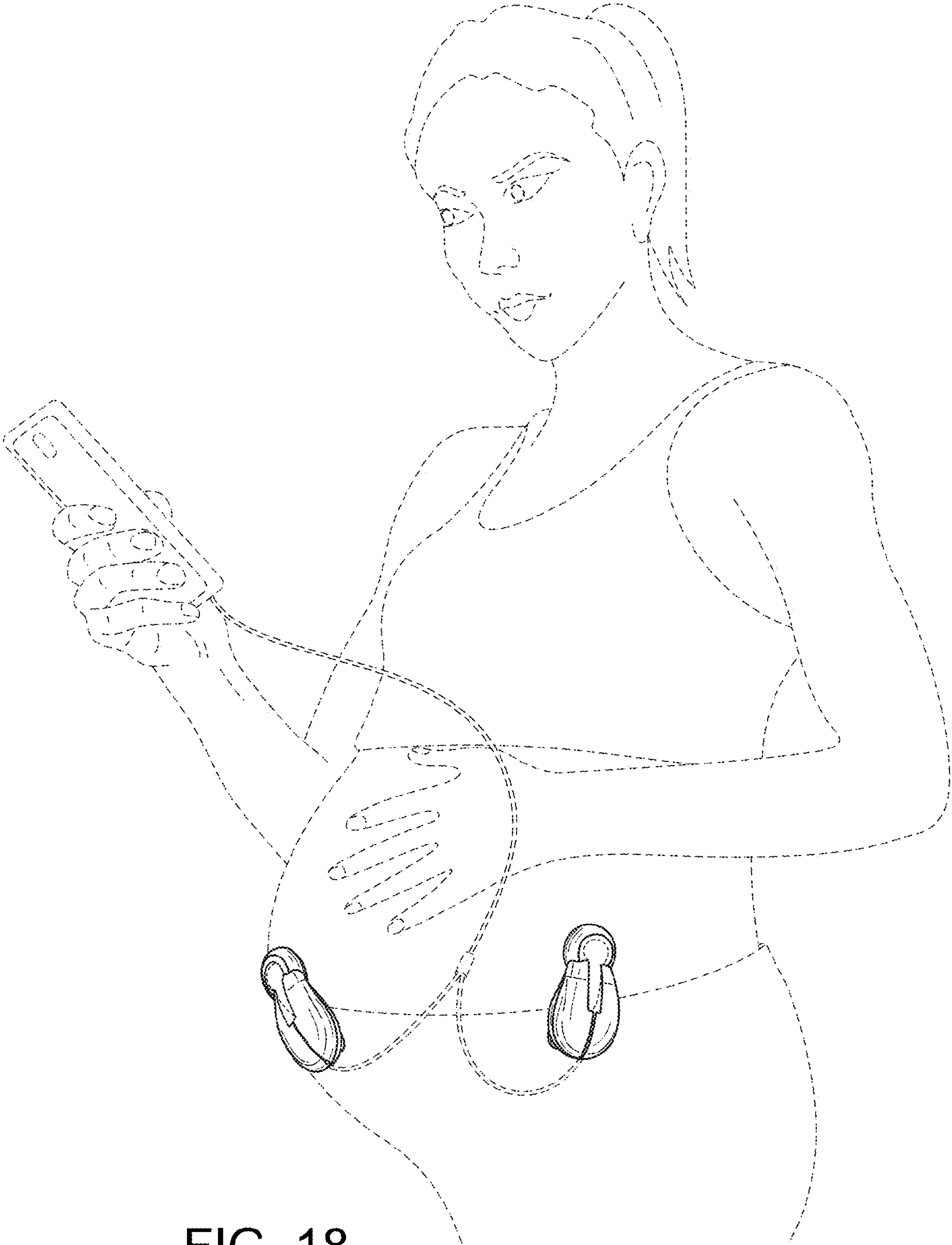


FIG. 18