



US00D920285S

(12) **United States Design Patent** (10) **Patent No.:** **US D920,285 S**
Aspettati (45) **Date of Patent:** **** May 25, 2021**

(54) **LOUDSPEAKER**
(71) Applicant: **B&C Speakers S.p.A.**, Bagno a Ripoli (IT)
(72) Inventor: **Mattia Aspettati**, Florence (IT)
(73) Assignee: **B&C SPEAKERS S.P.A.**, Bagno a Ripoli (IT)
(**) Term: **15 Years**
(21) Appl. No.: **35/508,289**
(22) Filed: **Jul. 1, 2019**
(80) **Hague Agreement Data**
Int. Filing Date: **Jul. 1, 2019**
Int. Reg. No.: **DM/203488**
Int. Reg. Date: **Jul. 1, 2019**
Int. Reg. Pub. Date: **Jan. 3, 2020**

(51) **LOC (13) Cl.** **14-01**
(52) **U.S. Cl.**
USPC **D14/216**
(58) **Field of Classification Search**
USPC D14/167, 168, 170–172, 188, 194–196,
D14/209.1, 210–216, 219, 221, 222, 224,
D14/239, 496
CPC H04R 1/02; H04R 1/021; H04R 1/026;
H04R 1/028; H04R 1/403; H04R 1/2803;
H04R 5/02; H04R 9/06; H04R 9/13;
H04R 2201/021; H04R 2400/00; H04R
2499/11

See application file for complete search history.
(56) **References Cited**

U.S. PATENT DOCUMENTS
D317,160 S * 5/1991 Kurata D14/216
D381,990 S * 8/1997 Chu D14/214
D419,561 S * 1/2000 Haase D14/216
D483,350 S * 12/2003 Chen D14/216

D484,116 S * 12/2003 Proni D14/216
D484,491 S * 12/2003 Solland D14/216
D556,738 S * 12/2007 Yao D14/216
D580,412 S * 11/2008 Sei D14/216
D615,068 S * 5/2010 Yuasa D14/216
D619,565 S * 7/2010 Chen D14/222
D637,582 S * 5/2011 Wada D14/216
D654,479 S * 2/2012 Bogdanov D14/221
D695,714 S * 12/2013 Lee D14/216
D711,853 S * 8/2014 Miyata H04R 1/02
D14/216
D717,770 S * 11/2014 Yamamoto D14/216
D720,332 S * 12/2014 Kim D14/216
D723,522 S * 3/2015 Hong D14/221
D730,872 S * 6/2015 Wan D14/216
D762,181 S * 7/2016 Lin F21V 29/83
D13/179
D768,113 S * 10/2016 Lee D14/216
D787,455 S * 5/2017 Pliner D13/179
D807,327 S * 1/2018 Xiong D14/216
D808,929 S * 1/2018 Graber D14/216
D810,050 S * 2/2018 Uemoto D14/216
D836,610 S * 12/2018 Yoon D14/216
D852,169 S * 6/2019 Chen D14/217
D861,643 S * 10/2019 Proni D14/215
D866,525 S * 11/2019 Chen D14/217
D868,041 S * 11/2019 Voishvillo D14/221

(Continued)

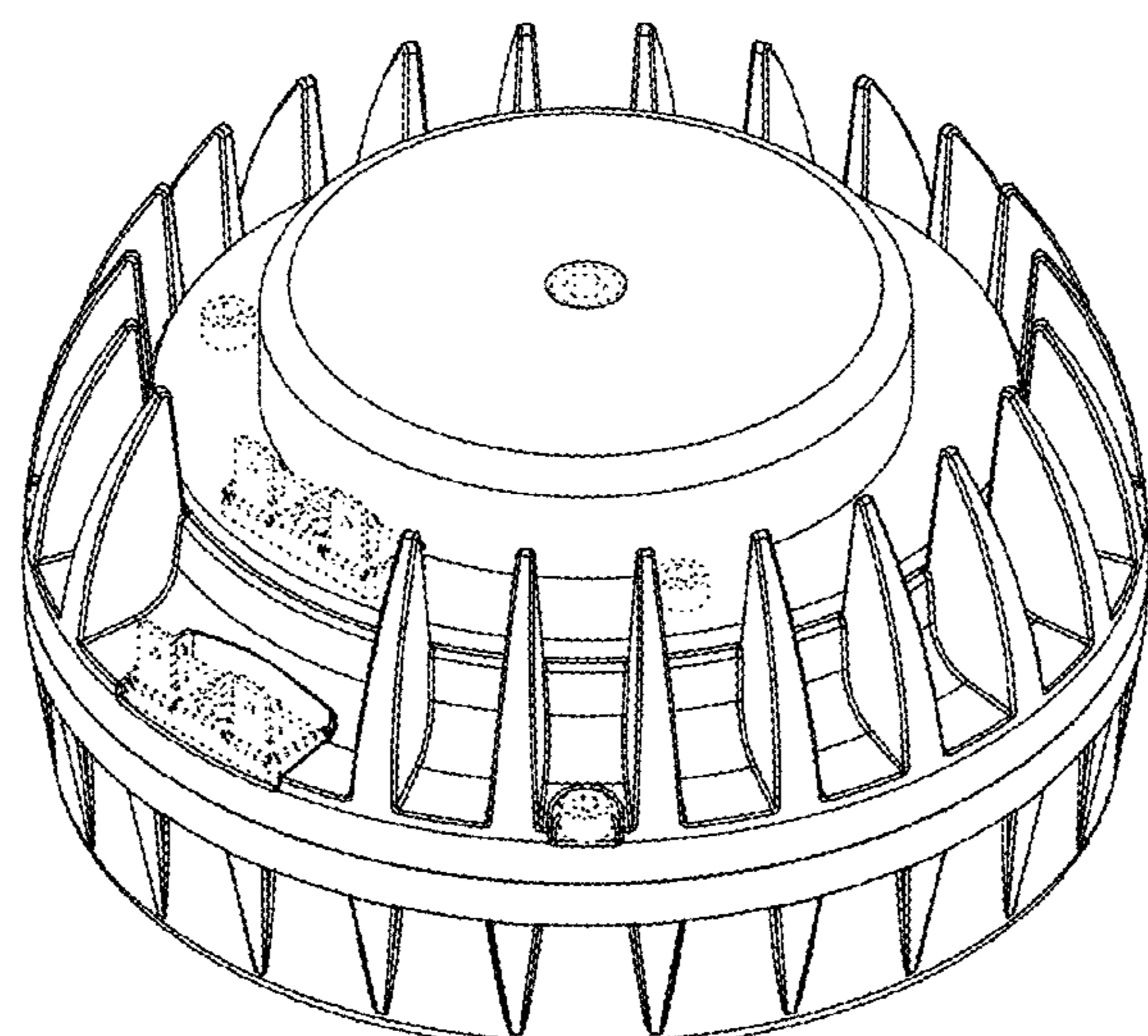
Primary Examiner — Bao-Yen T Nguyen
(74) *Attorney, Agent, or Firm* — Lucas & Mercanti, LLP

(57) **CLAIM**
The ornamental design for a loudspeaker, as shown and described.

DESCRIPTION

1. Loudspeaker
1.1 : Perspective
1.2 : Front
1.3 : Top
1.4 : Bottom
The broken lines represent portions of the loudspeaker and form no part of the claimed design.

1 Claim, 4 Drawing Sheets



(56)

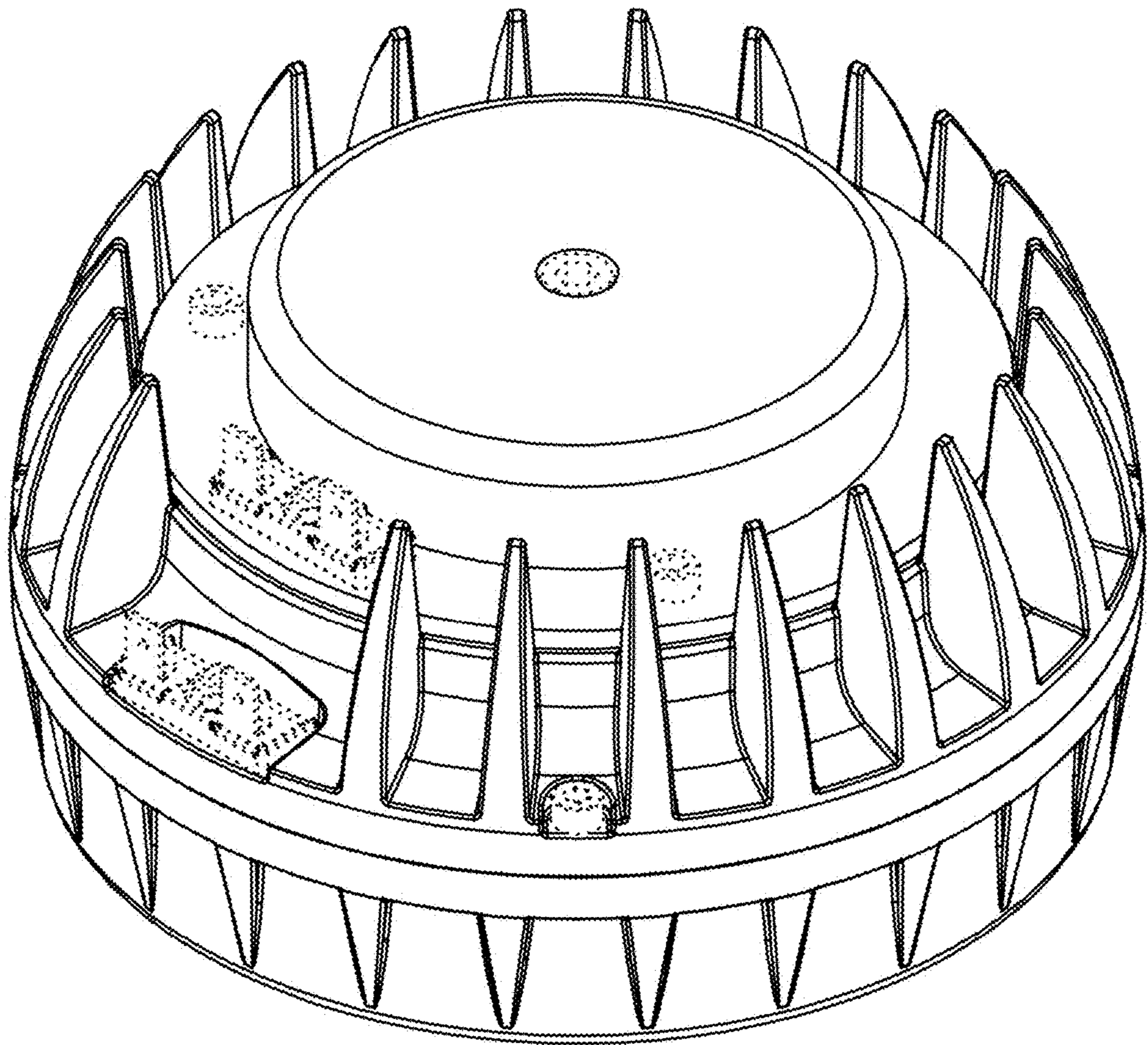
References Cited

U.S. PATENT DOCUMENTS

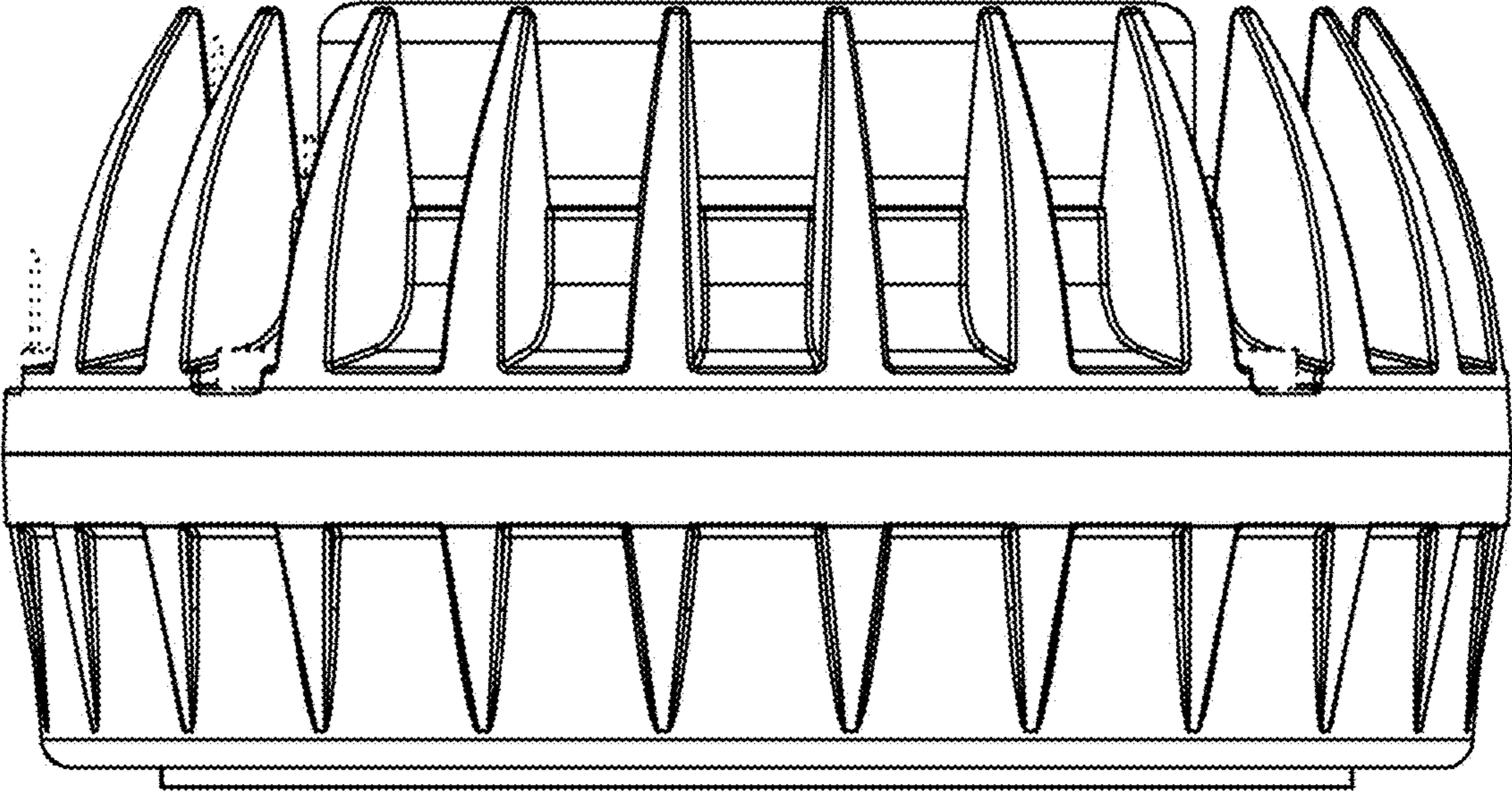
D877,123	S	*	3/2020	Lee	D14/216
D877,712	S	*	3/2020	Durkan	D14/204
D888,017	S	*	6/2020	Yuan	D14/216
D893,459	S	*	8/2020	Lum	D14/219
D894,963	S	*	9/2020	Li	D14/496
2004/0202535	A1	*	10/2004	Lin	F04D 29/281 415/84
2008/0025549	A1	*	1/2008	Avera	H04R 9/022 381/397
2013/0259692	A1	*	10/2013	Chen	F04D 29/601 416/195

* cited by examiner

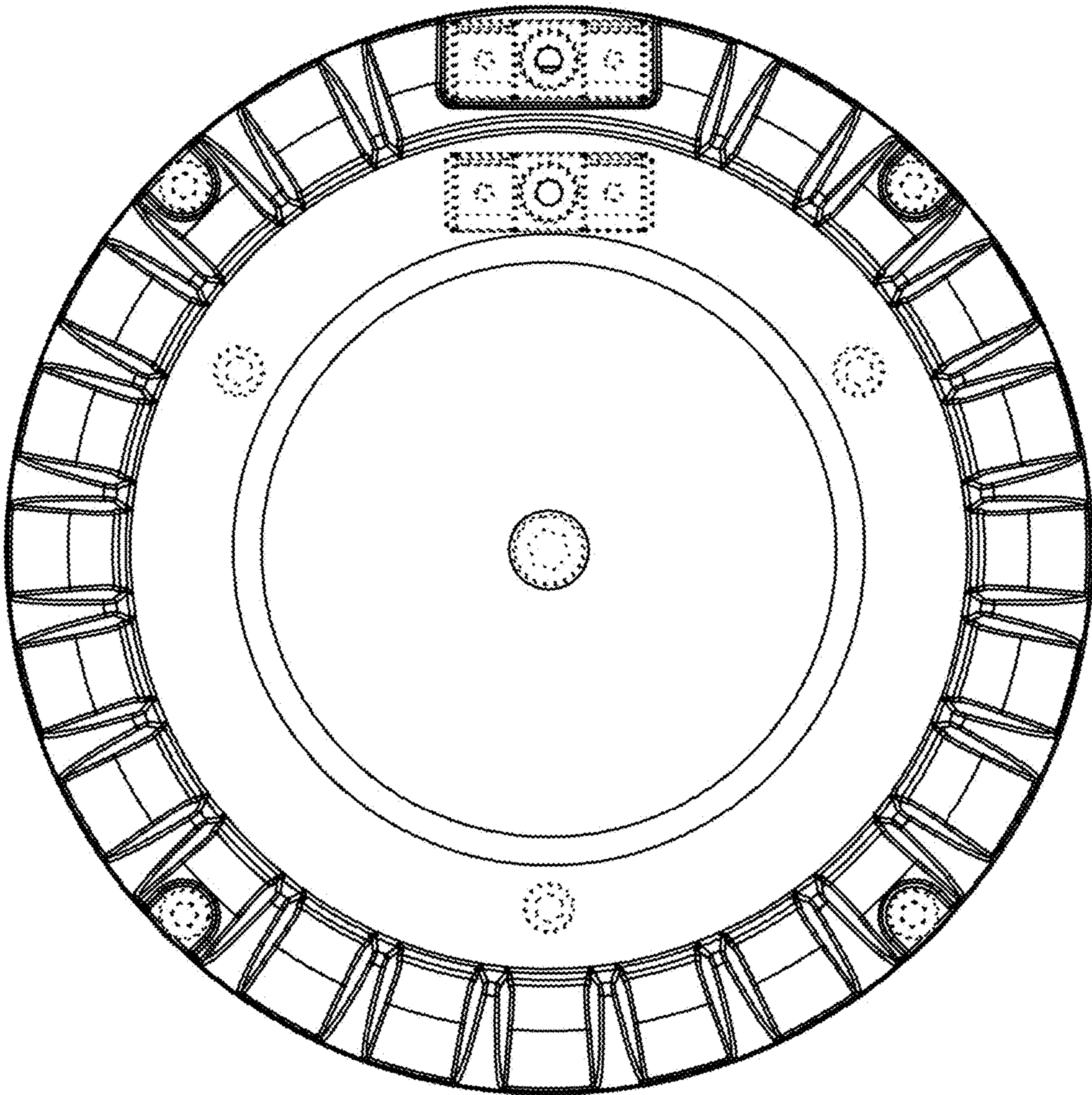
1.1



1.2



1.3



1.4

